



US00D449704B1

(12) **United States Design Patent**  
**Zhong**

(10) **Patent No.:** **US D449,704 S**

(45) **Date of Patent:** **\*\* Oct. 23, 2001**

(54) **TORCH**

(75) **Inventor:** **Bai Yao Zhong**, Kowloon (HK)

(73) **Assignee:** **Ku Chen Fai Lighting Manufacturing Ltd.**, Kowloon (HK)

(\*\*) **Term:** **14 Years**

(21) **Appl. No.:** **29/142,221**

(22) **Filed:** **May 23, 2001**

(30) **Foreign Application Priority Data**

Apr. 12, 2001 (HK) ..... 0110030

(51) **LOC (7) Cl.** ..... **26-05**

(52) **U.S. Cl.** ..... **D26/49**

(58) **Field of Search** ..... D26/37-50; 362/157,  
362/162, 171, 178, 187, 188, 189, 190,  
194, 195, 196, 197, 198, 199, 200, 201,  
202, 203, 204, 205, 206

(56) **References Cited**

**U.S. PATENT DOCUMENTS**

D. 268,528 \* 4/1983 Hung et al. .... D26/49

D. 299,274 \* 1/1989 Ohashi ..... D26/49  
D. 300,666 \* 4/1989 Ohashi ..... D26/49  
D. 325,788 \* 4/1992 Yuen ..... D26/49

\* cited by examiner

*Primary Examiner*—Susan J. Lucas

(74) *Attorney, Agent, or Firm*—Leydig, Voit & Mayer, Ltd.

(57) **CLAIM**

The ornamental design for a torch, as shown and described.

**DESCRIPTION**

FIG. 1 is a front elevational view of a torch showing my new design;

FIG. 2 is a rear elevational view thereof;

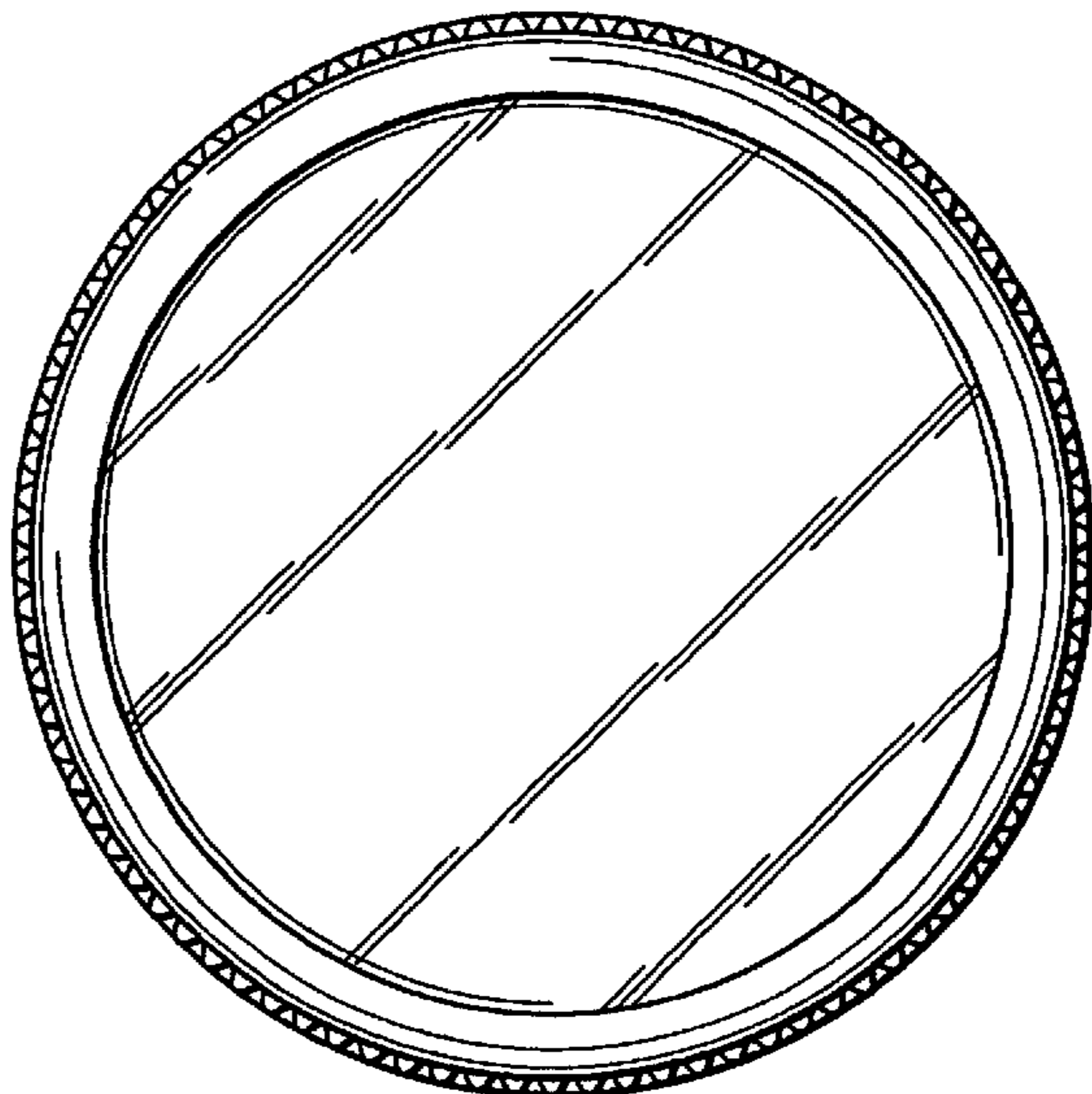
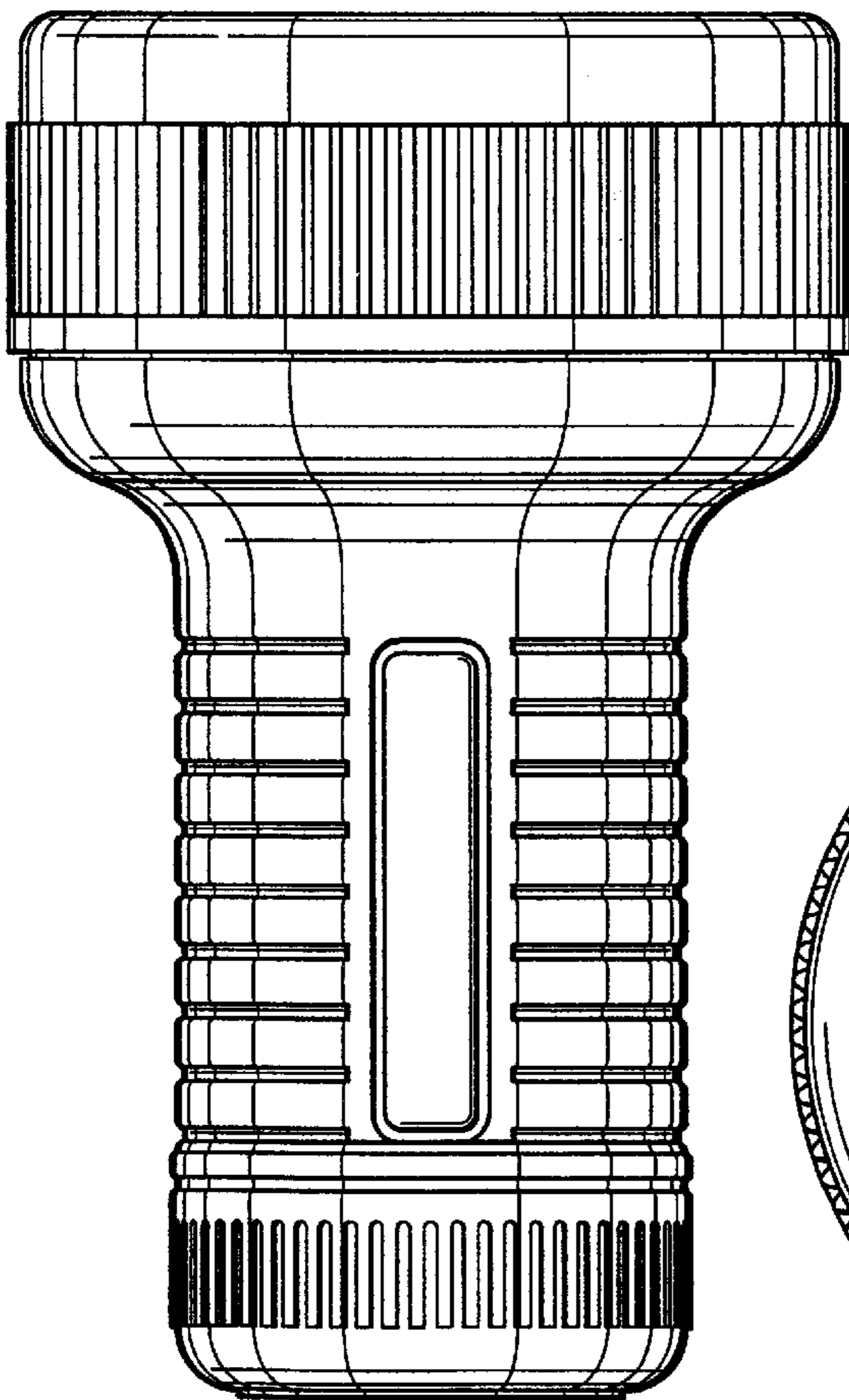
FIG. 3 is a left side elevational view thereof;

FIG. 4 is a right side elevational view thereof;

FIG. 5 is a top end elevational view thereof; and,

FIG. 6 is a bottom end elevational view thereof.

**1 Claim, 5 Drawing Sheets**



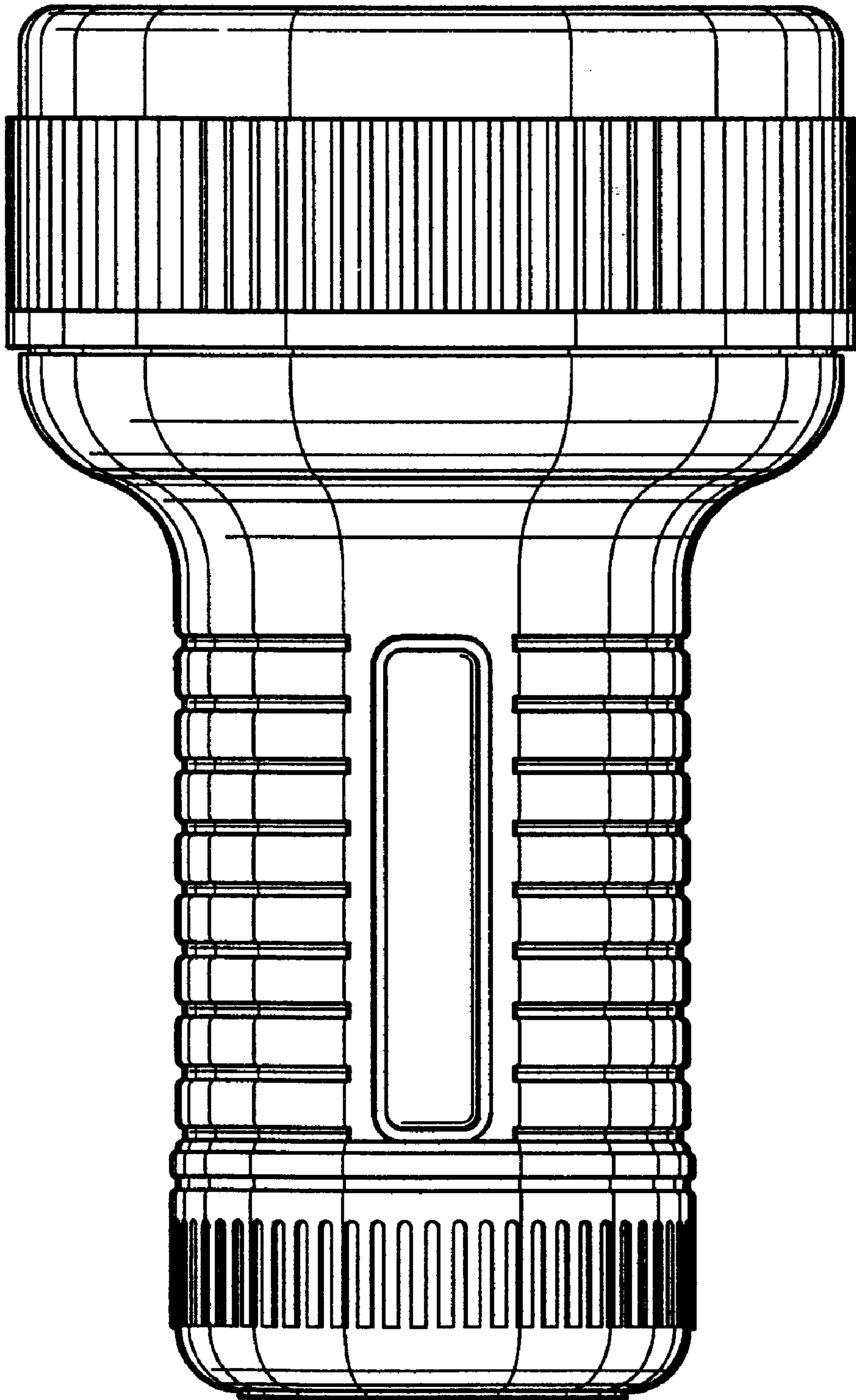


FIG. 1

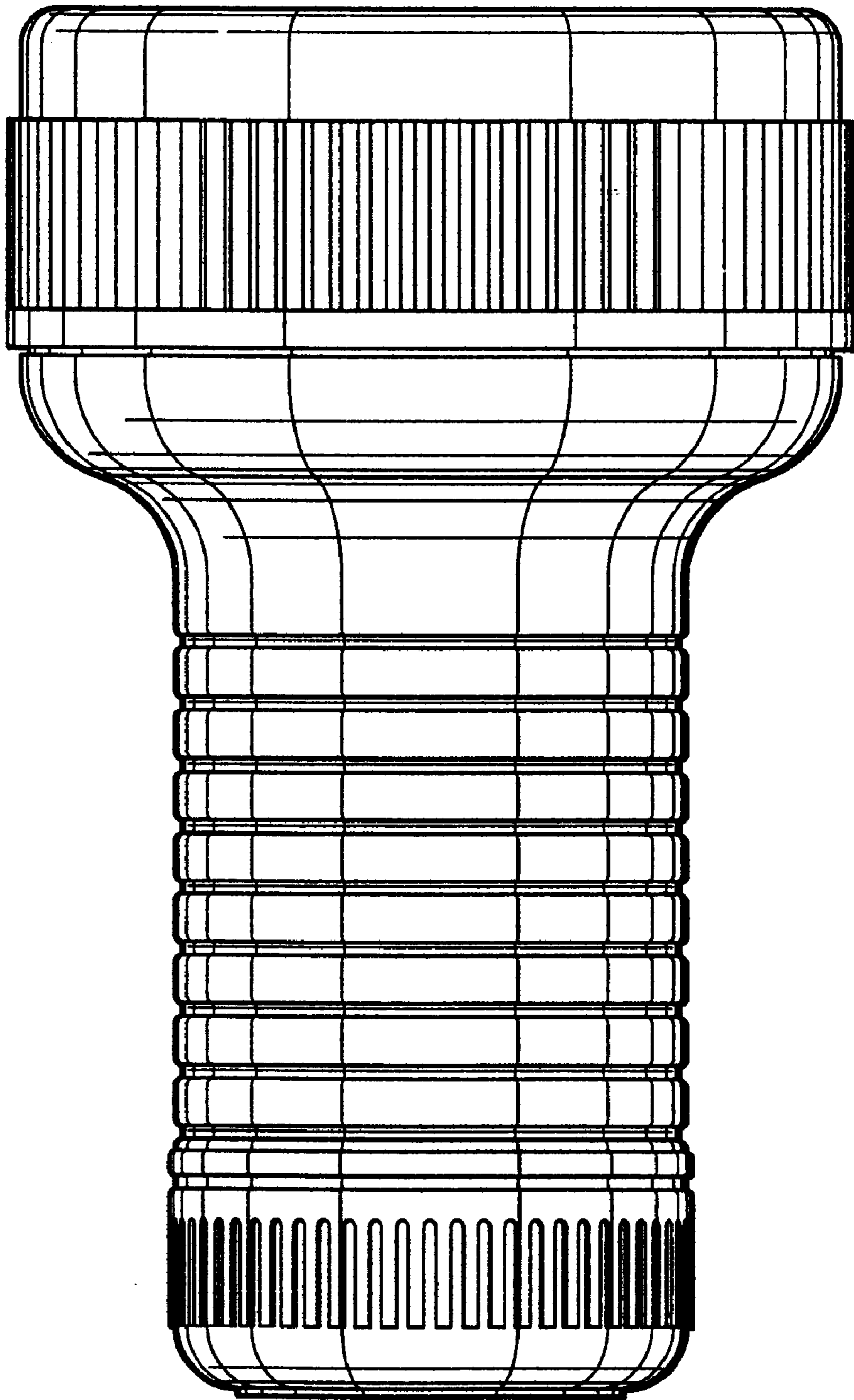


FIG. 2

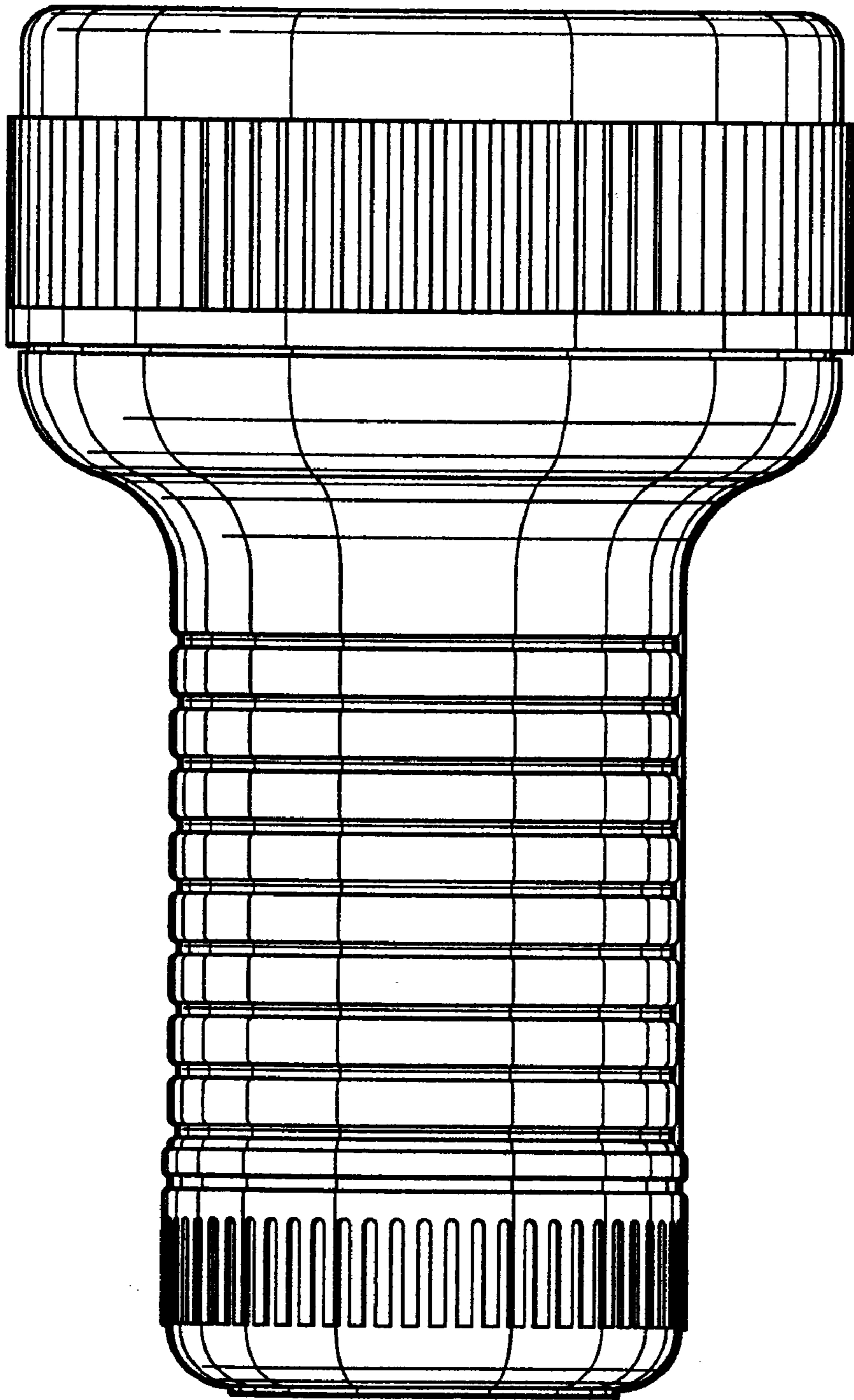


FIG. 3

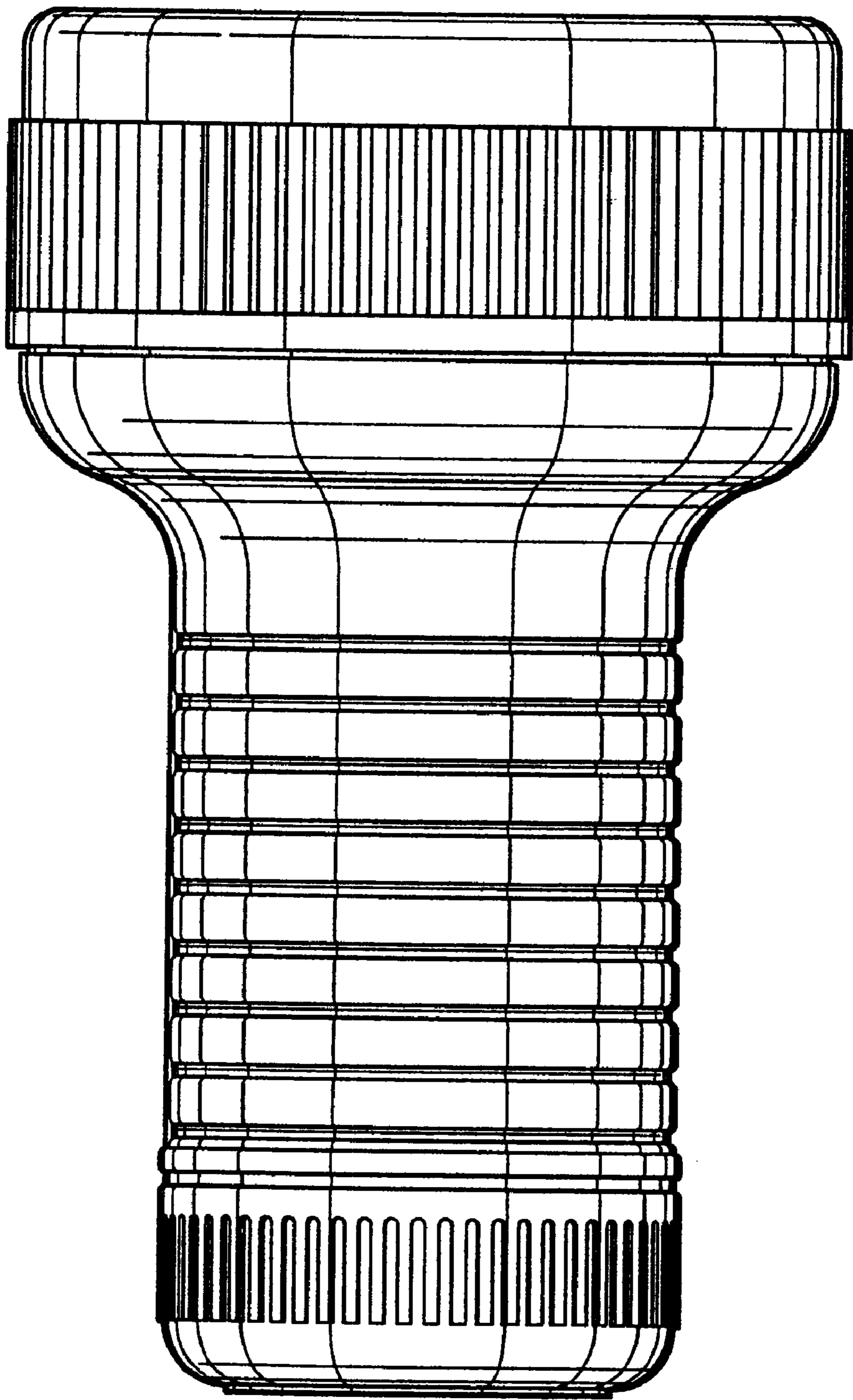


FIG. 4



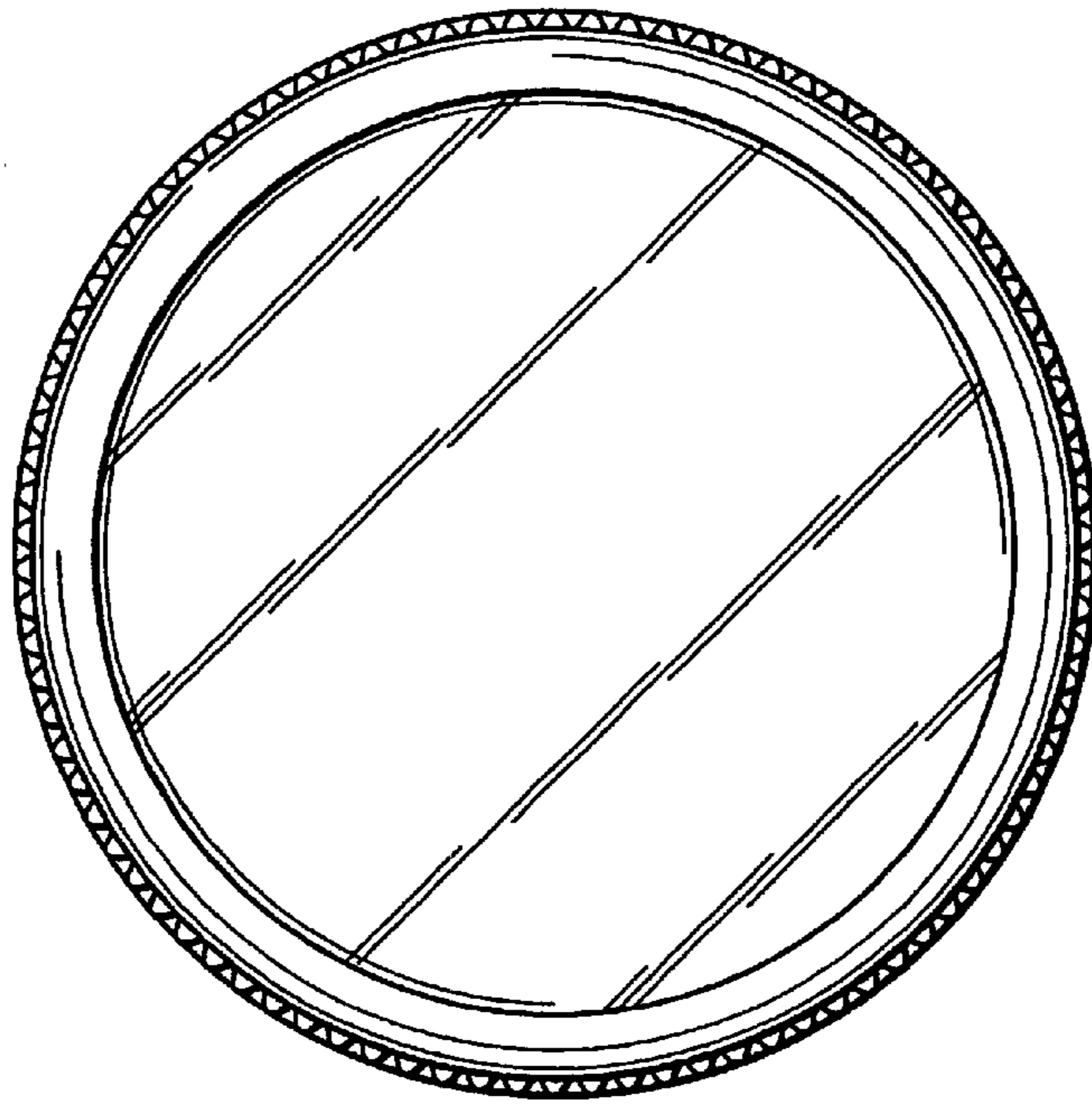


FIG. 5

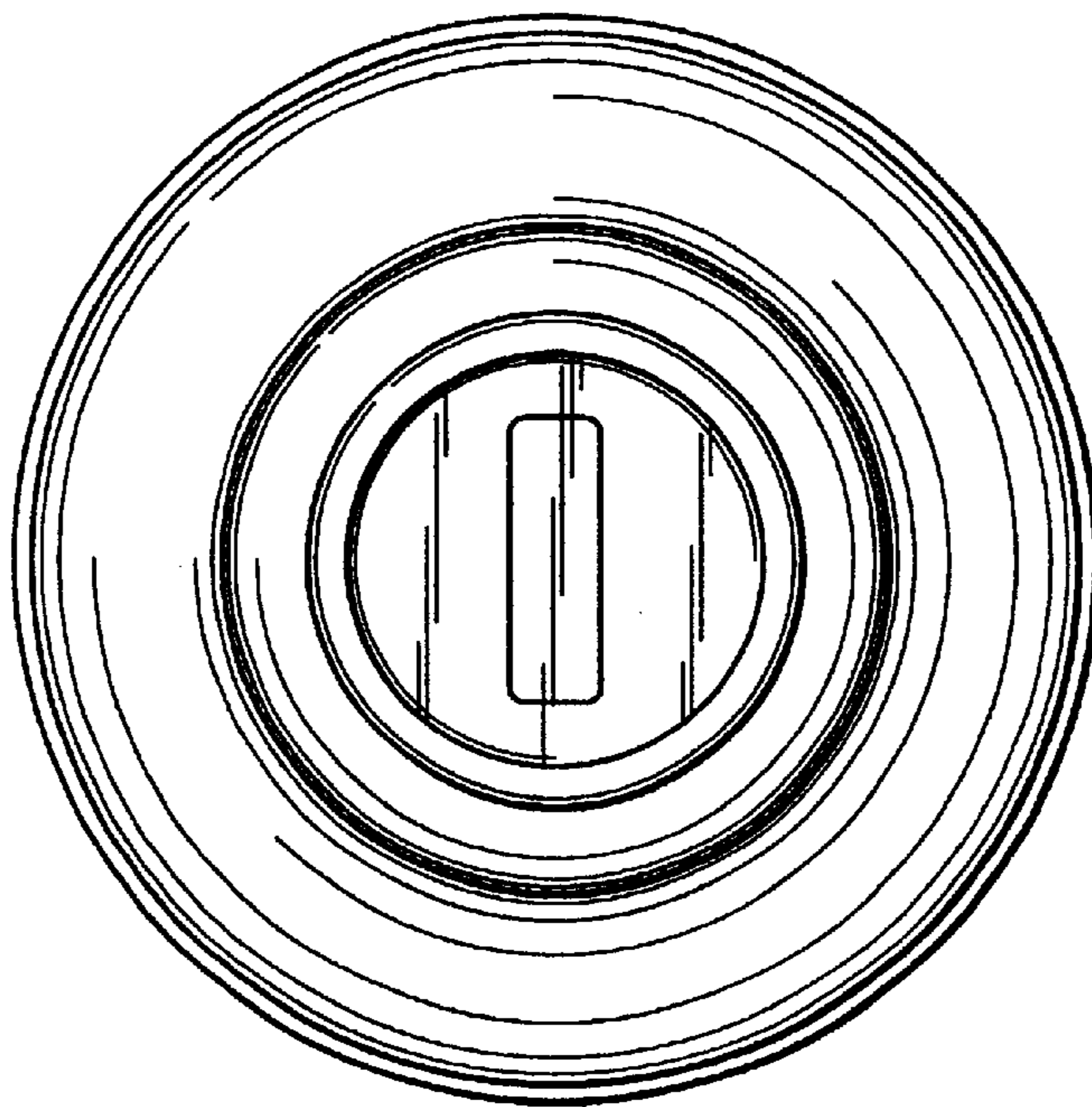


FIG. 6

UNITED STATES PATENT AND TRADEMARK OFFICE  
**CERTIFICATE OF CORRECTION**

PATENT NO. : Des 449,704 S  
DATED : October 23, 2001  
INVENTOR(S) : Bai Yao Zhong

Page 1 of 1

It is certified that error appears in the above-identified patent and that said Letters Patent is hereby corrected as shown below:

Title page,

Item [73], Assignee should read -- **Ku Chen Fai Lighting Manufacturing Ltd.,**  
Kowloon (HK) --

-- Item [30], **Foreign Application Priority Data**, January 5, 2001 (HK 0110030 --

Signed and Sealed this

Ninth Day of July, 2002

*Attest:*



*Attesting Officer*

JAMES E. ROGAN  
*Director of the United States Patent and Trademark Office*