



US00D449702B2

(12) **United States Design Patent**
Choi

(10) **Patent No.:** **US D449,702 S**

(45) **Date of Patent:** **** Oct. 23, 2001**

(54) **AUTO MAP LAMP**

D. 395,717 * 6/1998 Dalton et al. D26/28

(76) **Inventor:** **Leung Hung Choi**, 10th Floor, Chung Wah Industrial Building, 153 Kowloon City Road, Kowloon (HK)

* cited by examiner

Primary Examiner—Marcus A. Jackson
(74) *Attorney, Agent, or Firm*—Salter & Michaelson

(**) **Term:** **14 Years**

(57) **CLAIM**

(21) **Appl. No.:** **29/136,086**

The ornamental design for an auto map lamp, as shown.

(22) **Filed:** **Jan. 24, 2001**

DESCRIPTION

(51) **LOC (7) Cl.** **26-02**

(52) **U.S. Cl.** **D26/44**

(58) **Field of Search** D26/28-50; 362/72, 362/80, 82, 83, 83.3, 157, 158, 183, 189-208

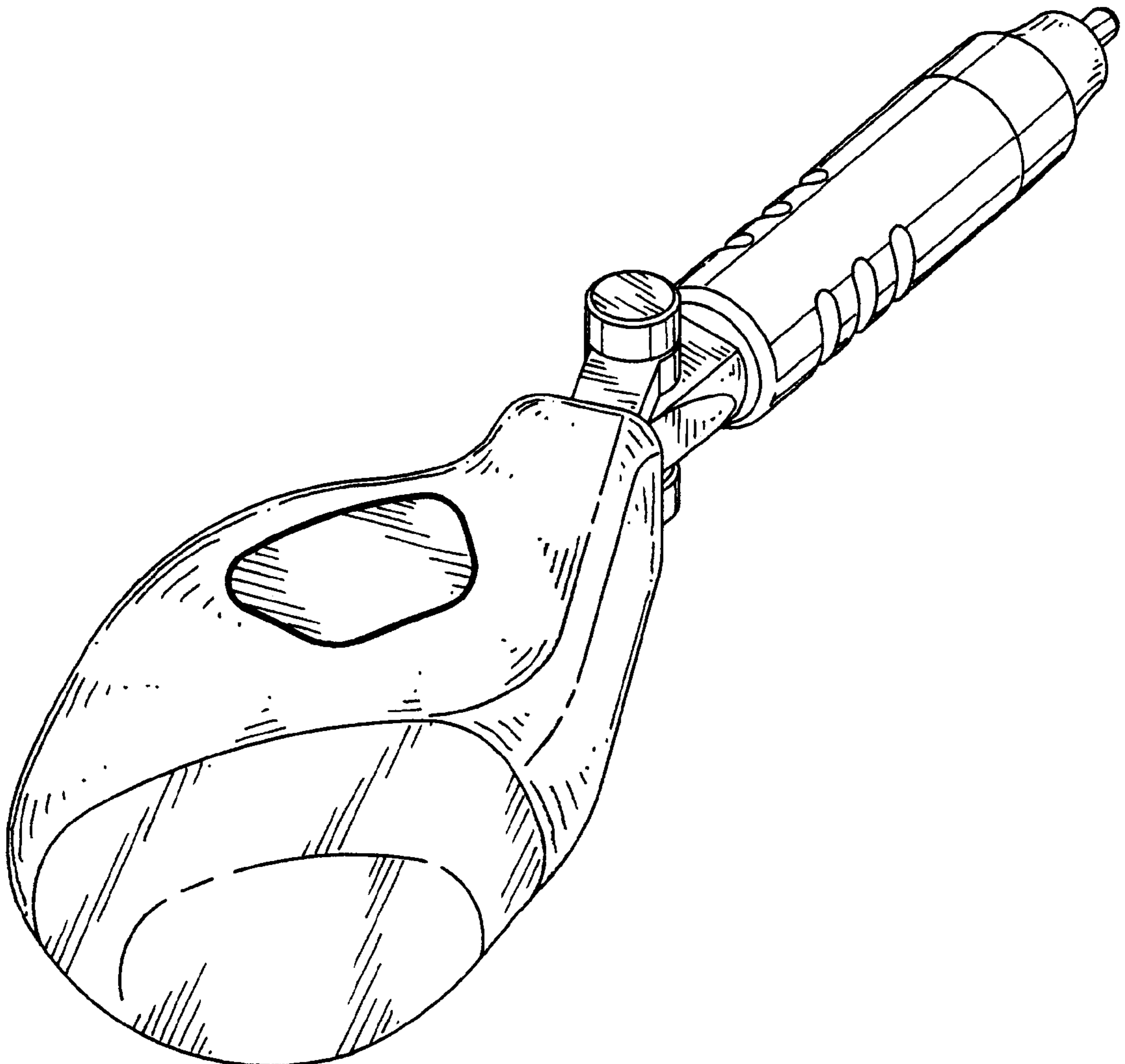
FIG. 1 is a perspective view of an auto map lamp;
FIG. 2 is a right side elevational view thereof;
FIG. 3 is a left side elevational view thereof;
FIG. 4 is a top plan view thereof;
FIG. 5 is a bottom plan view thereof;
FIG. 6 is a front elevational view thereof; and,
FIG. 7 is a rear elevational view thereof.

(56) **References Cited**

U.S. PATENT DOCUMENTS

- D. 383,558 * 9/1997 Parker D26/44
- D. 390,986 * 2/1998 Yuen D26/44

1 Claim, 3 Drawing Sheets



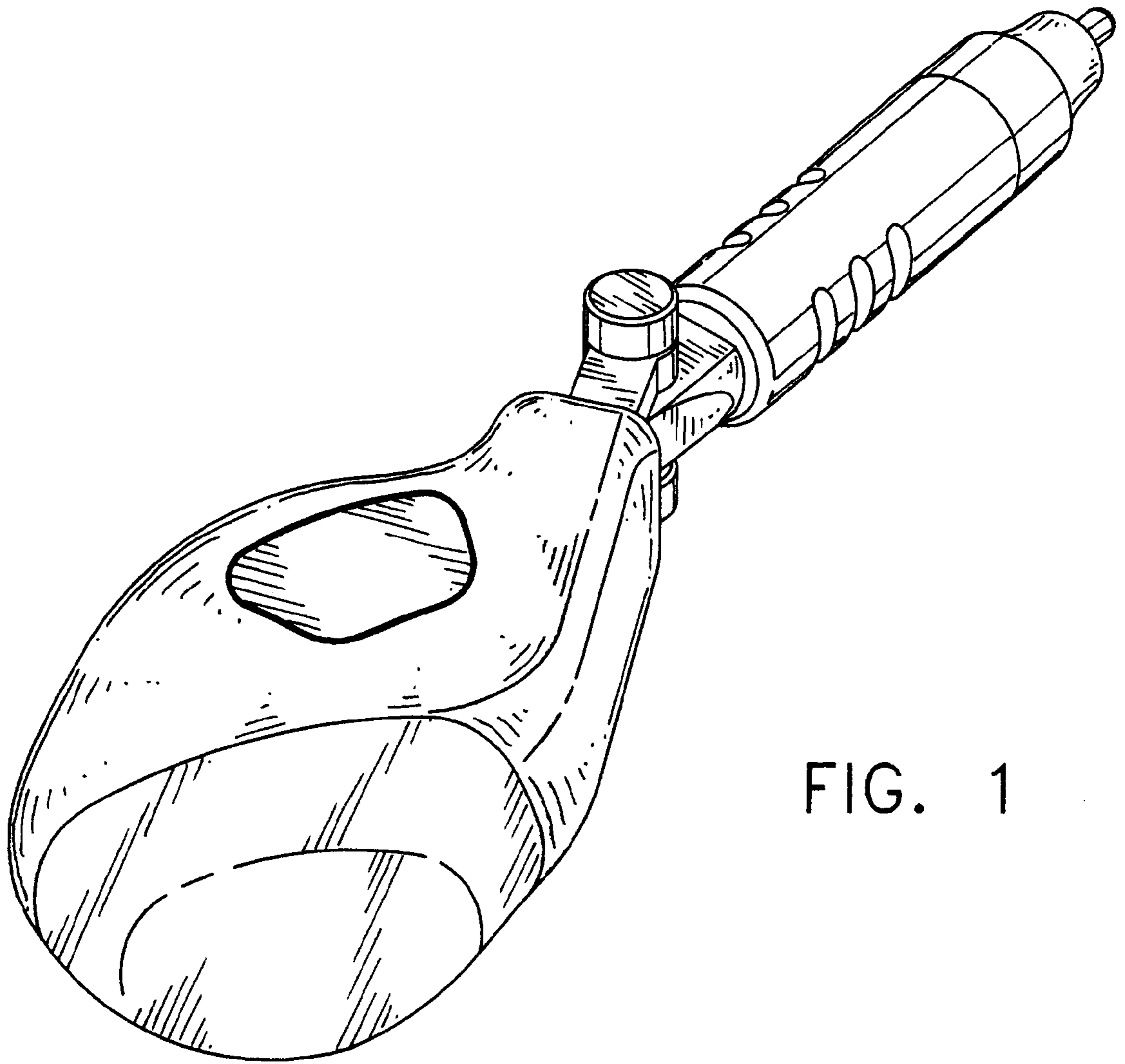


FIG. 1

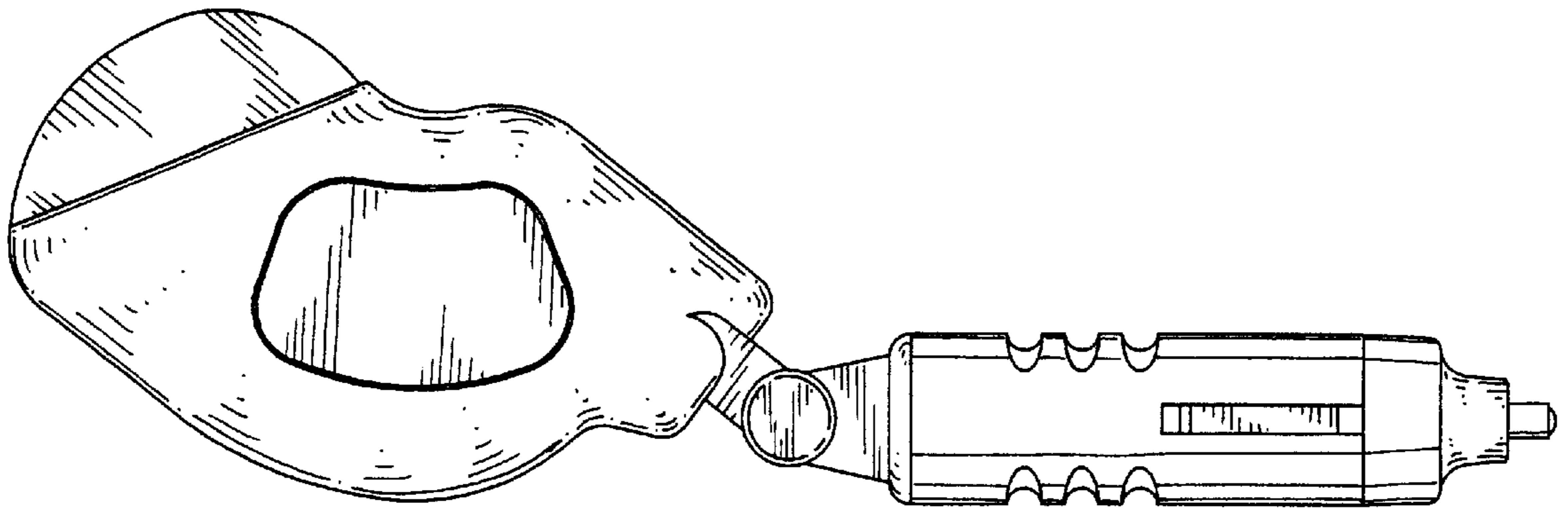


FIG. 2

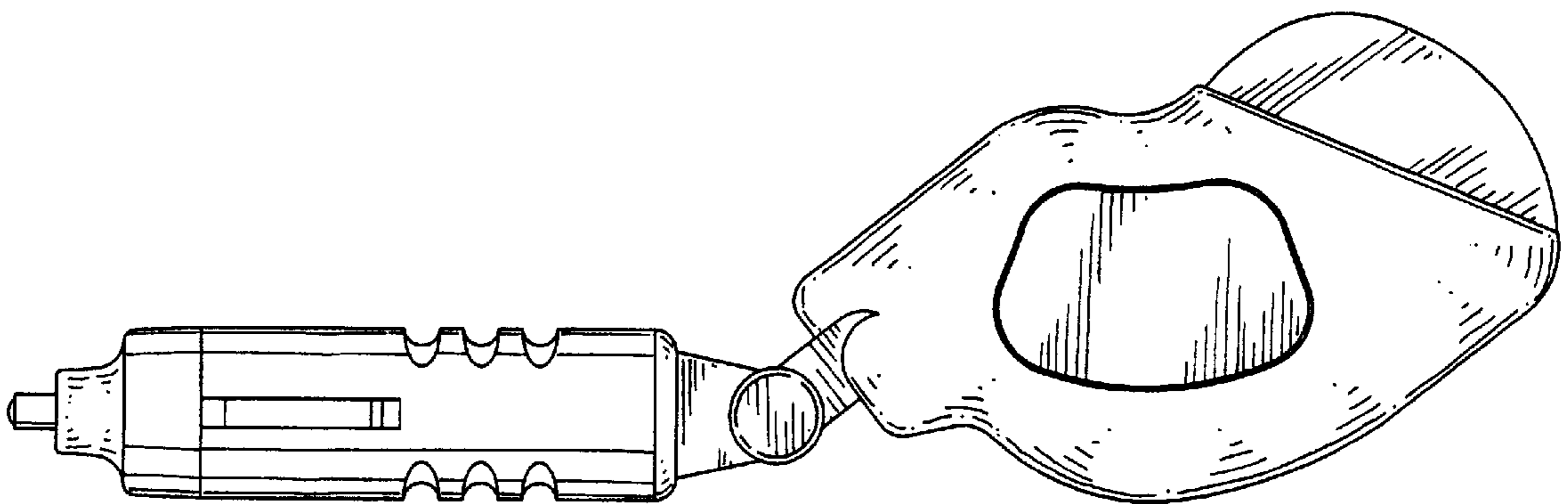


FIG. 3

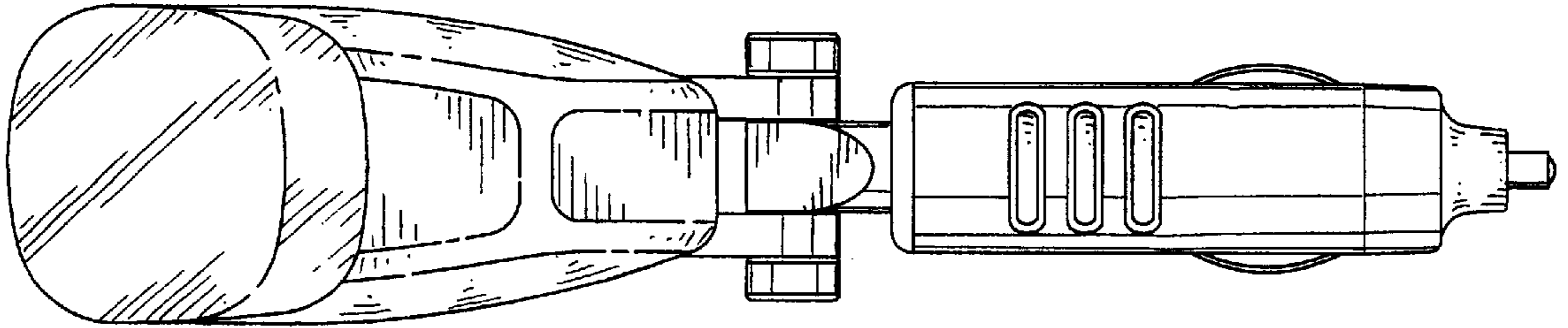


FIG. 4

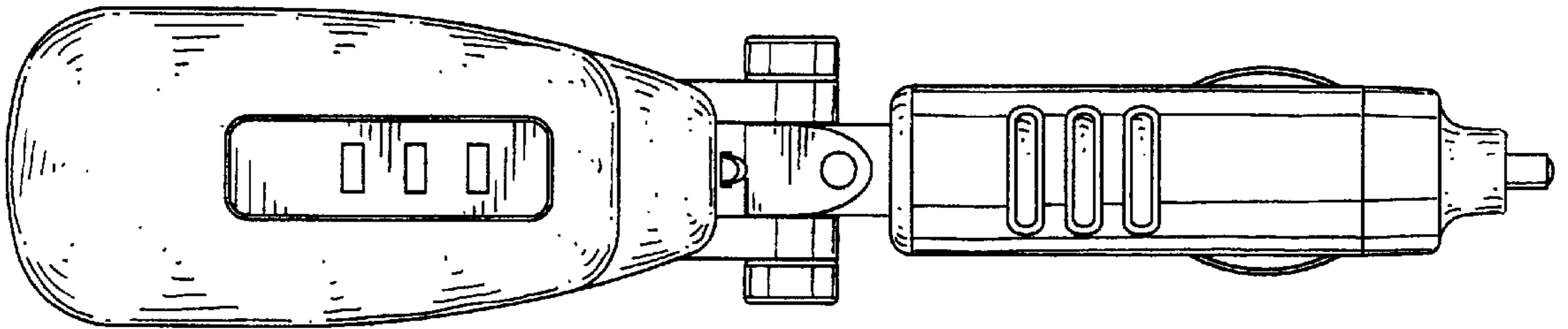


FIG. 5

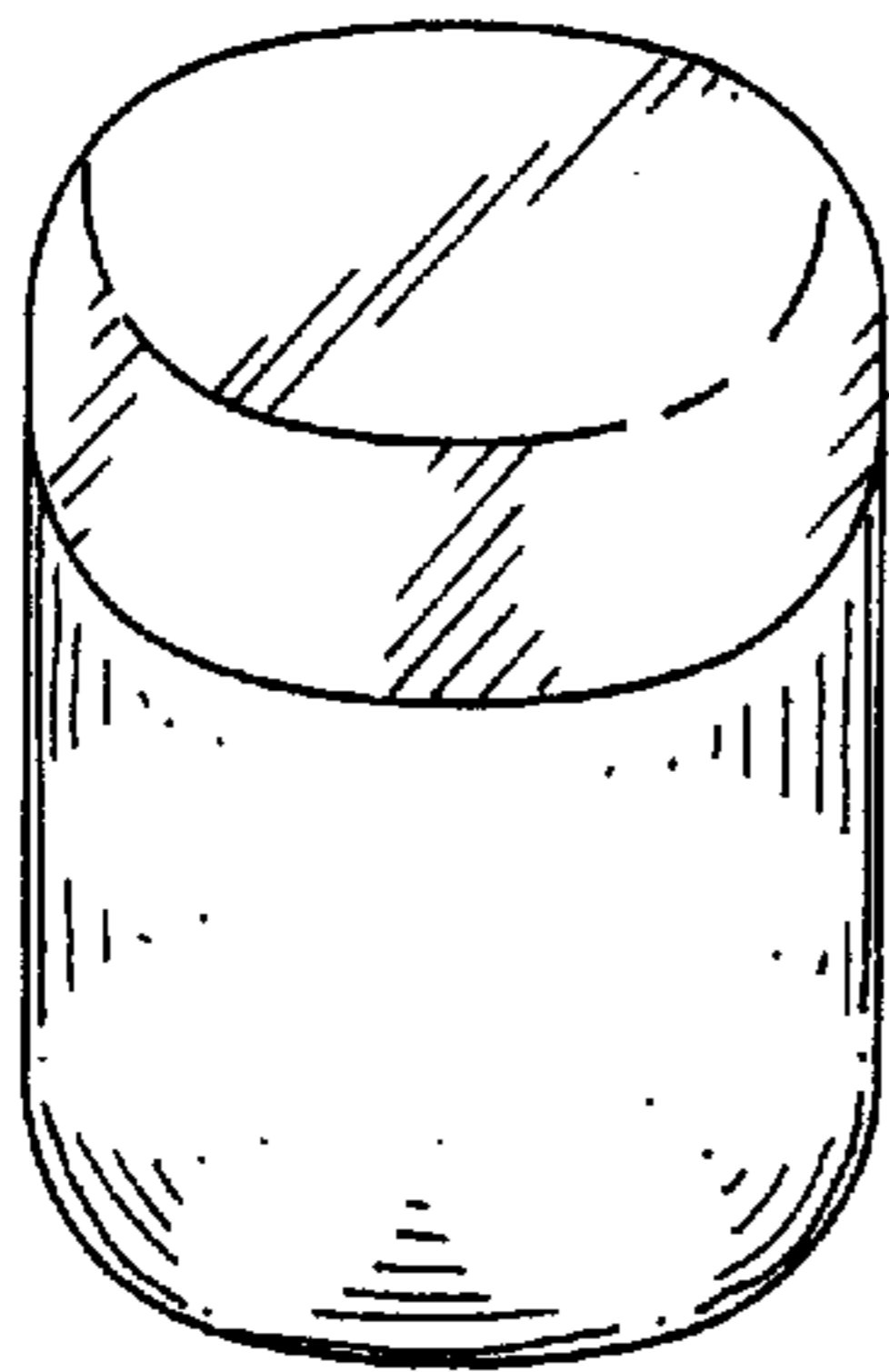


FIG. 6

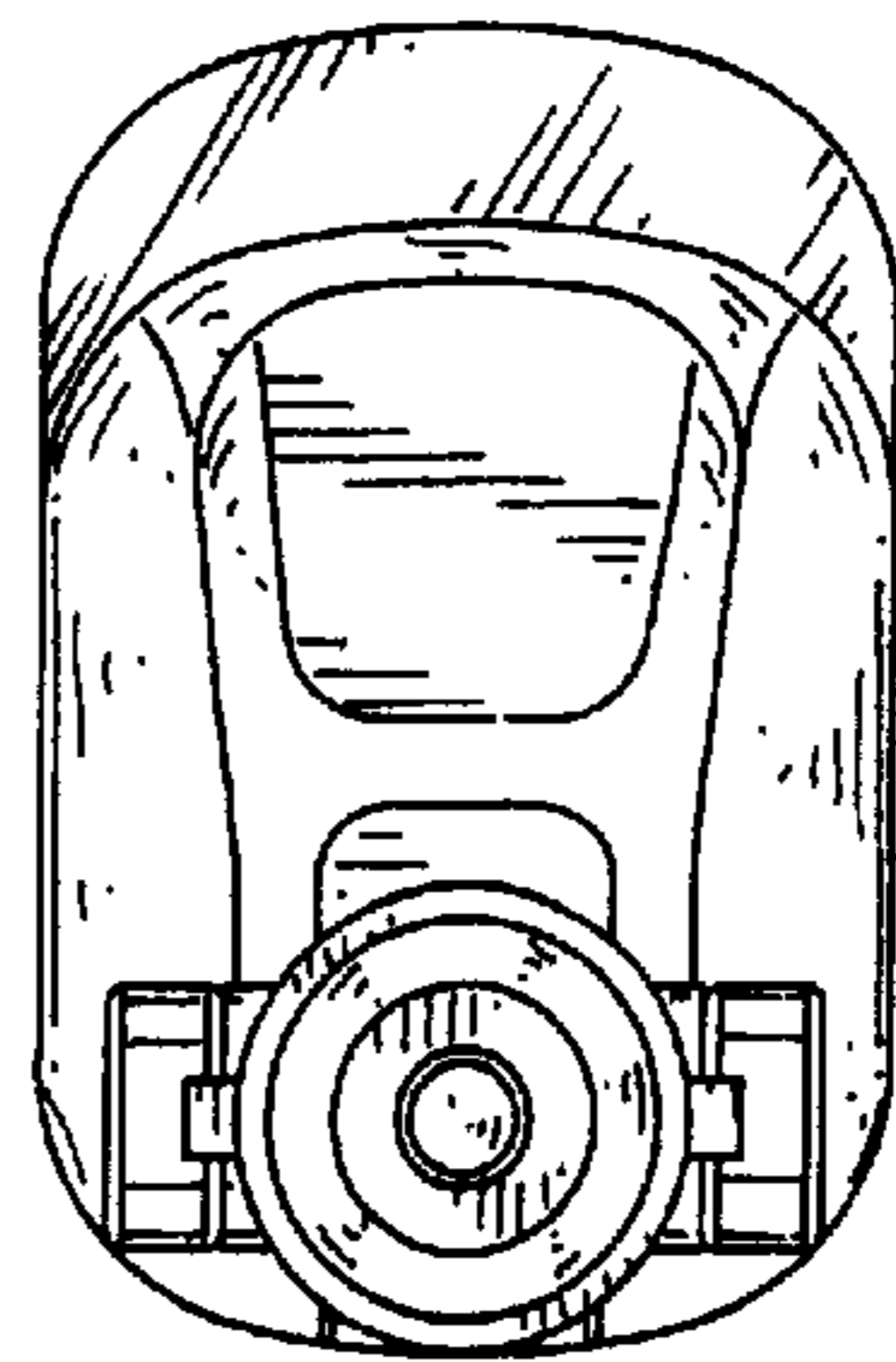


FIG. 7