



US00D449701B1

(12) **United States Design Patent**
Wareham

(10) **Patent No.:** **US D449,701 S**

(45) **Date of Patent:** **** Oct. 23, 2001**

(54) **HEADLIGHT FOR A CARPET EXTRACTOR**

(75) **Inventor:** **Richard A. Wareham**, North Canton, OH (US)

(73) **Assignee:** **The Hoover Company**, North Canton, OH (US)

(**) **Term:** **14 Years**

(21) **Appl. No.:** **29/135,772**

(22) **Filed:** **Jan. 18, 2001**

(51) **LOC (7) Cl.** **26-02**

(52) **U.S. Cl.** **D26/28; D26/120**

(58) **Field of Search** D26/28-36; 362/459, 362/460, 462, 463, 464, 465, 466, 541, 543, 548, 549; D32/32, 33

(56) **References Cited**

U.S. PATENT DOCUMENTS

D. 138,317	*	7/1944	Hallman	D26/28
D. 445,206	*	7/2001	Wareham	D26/28
D. 445,923	*	7/2001	Bradd	D26/28

OTHER PUBLICATIONS

Progress lighting catalog, 1990, p. 125, fluorescent lighting fixture.*

* cited by examiner

Primary Examiner—Susan J. Lucas

(74) *Attorney, Agent, or Firm*—A. Burgess Lowe; Brett A. Schenck

(57) **CLAIM**

The ornamental design of a headlight for a carpet extractor, as shown and described.

DESCRIPTION

FIG. 1 is a perspective view showing a first embodiment of my new ornamental design for a headlight for a carpet extractor;

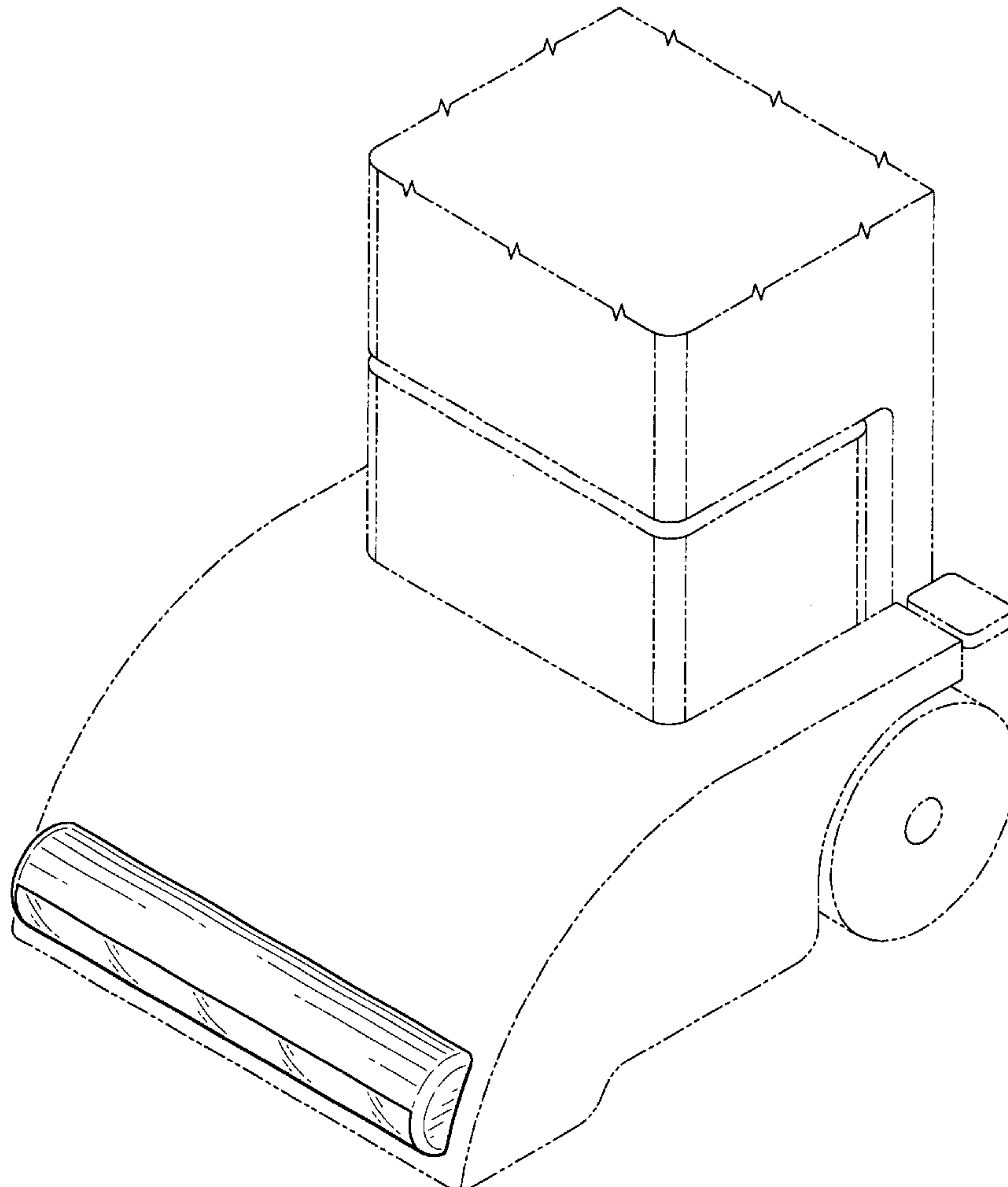
FIG. 2 is a front elevational view thereof;

FIG. 3 is a top elevational view thereof; and,

FIG. 4 is a right side elevational view thereof, the left side being a mirror image.

The details shown in broken lines are shown for illustrative purposes only and form no part of the claimed design.

1 Claim, 3 Drawing Sheets



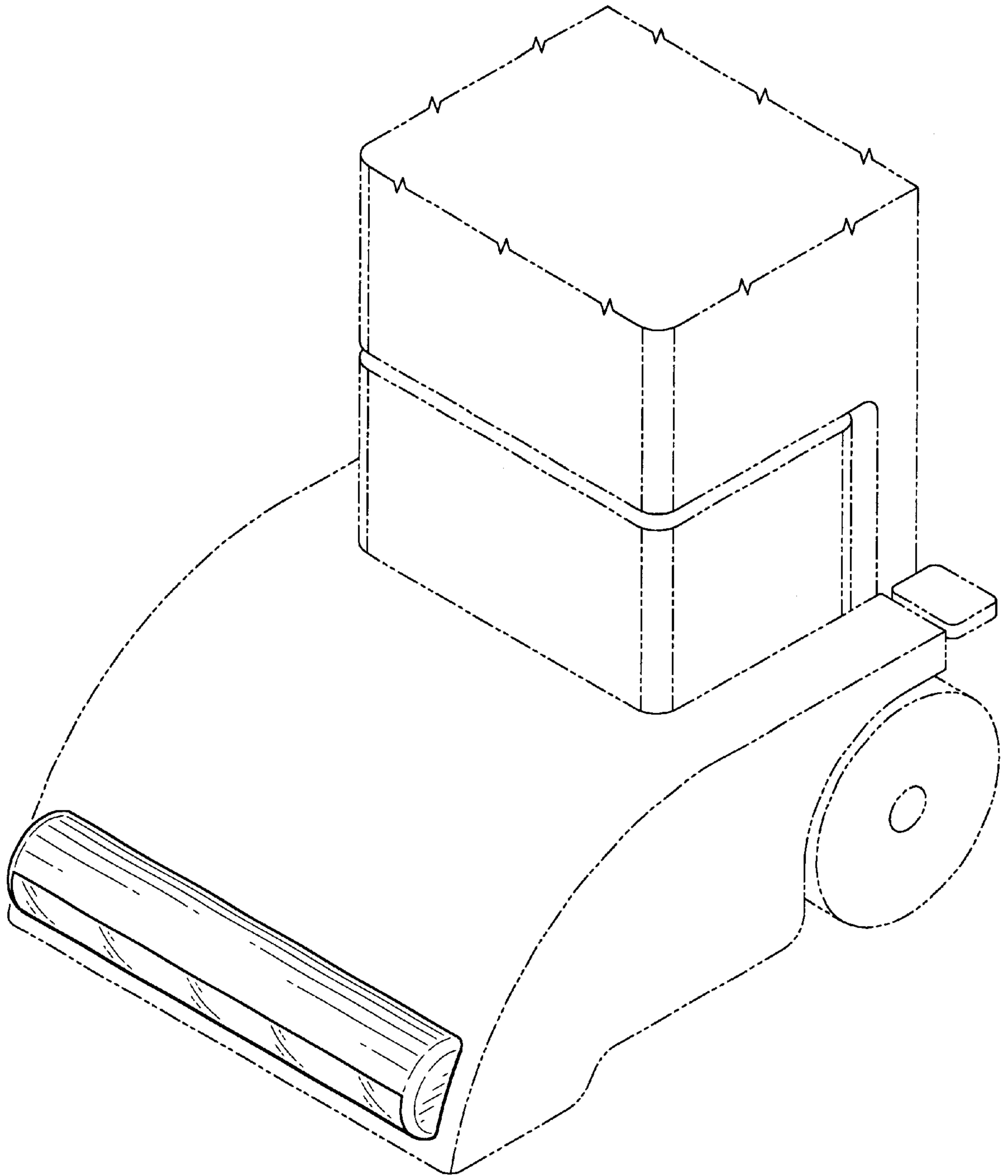


FIG-1

FIG-2

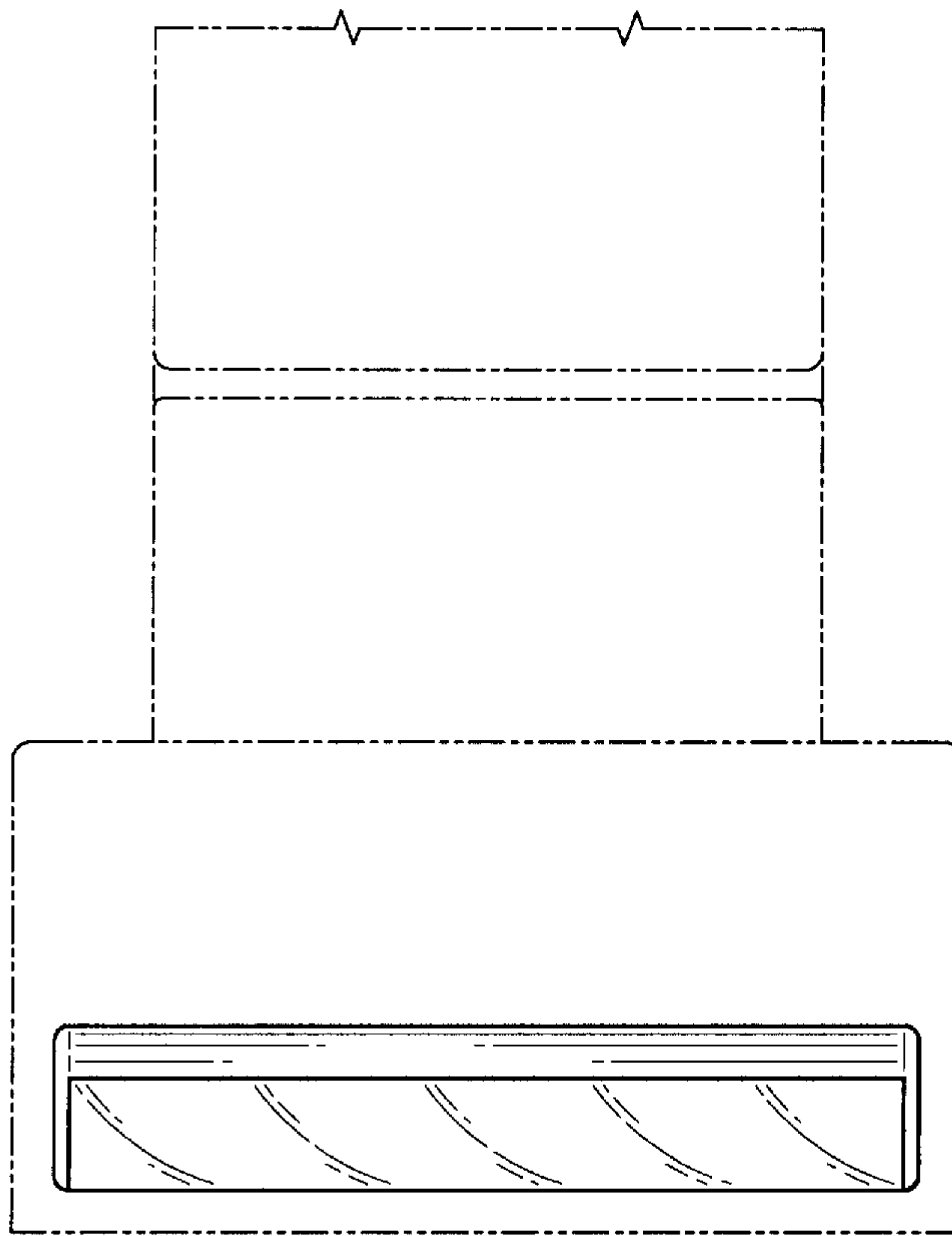


FIG-3

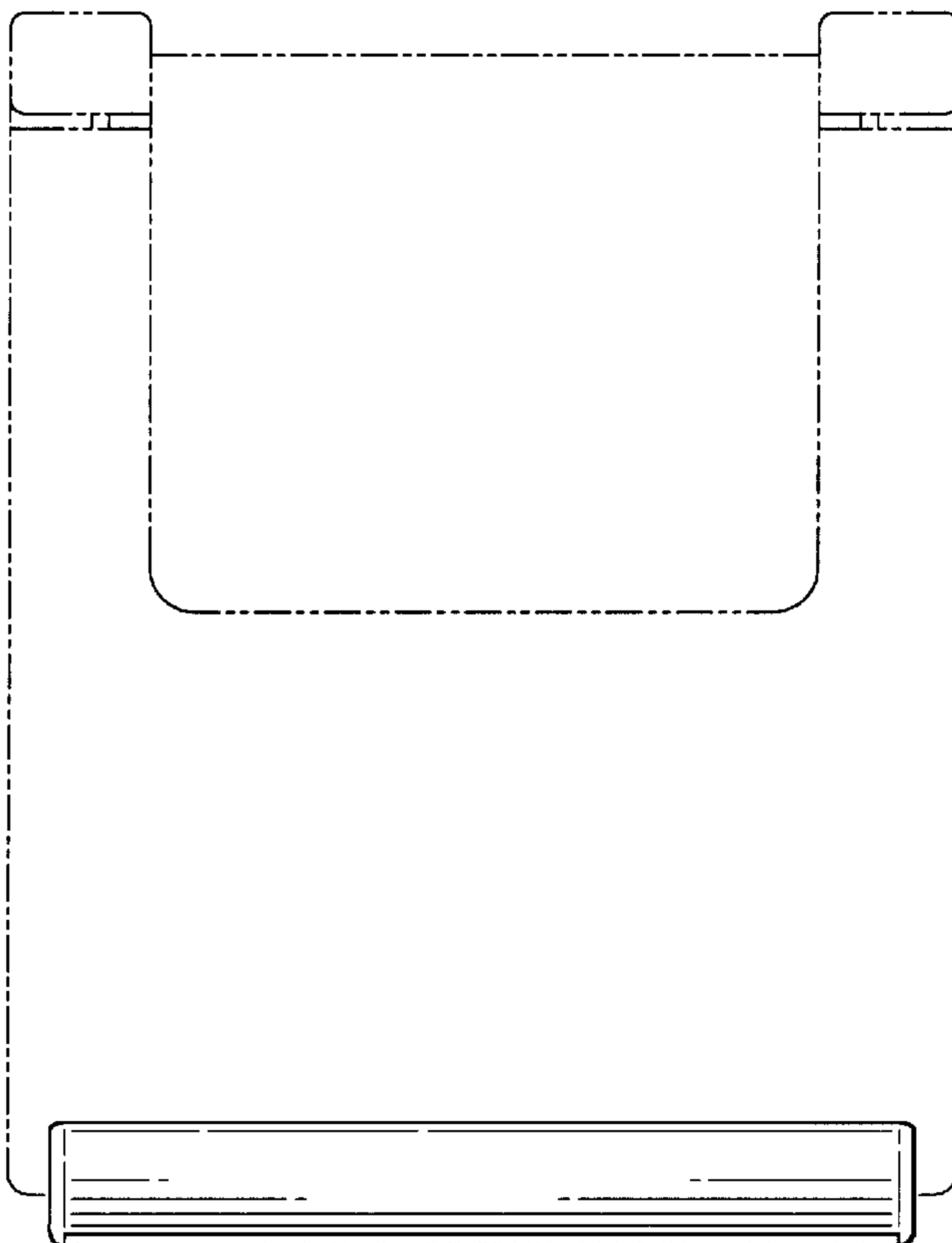


FIG-4

