



US00D449699B1

(12) **United States Design Patent**  
**Gabriele**

(10) **Patent No.:** **US D449,699 S**

(45) **Date of Patent:** **\*\* Oct. 23, 2001**

(54) **ADJUSTABLE WINDOW FRAME  
EXTRUSION**

(75) **Inventor:** **Angelo Gabriele, Woodbridge (CA)**

(73) **Assignee:** **Vinylbilt Shutter Systems Inc.,  
Concord (CA)**

(\*\*) **Term:** **14 Years**

(21) **Appl. No.:** **29/127,020**

(22) **Filed:** **Jul. 31, 2000**

(51) **LOC (7) Cl.** ..... **25-01**

(52) **U.S. Cl.** ..... **D25/124; D25/125**

(58) **Field of Search** ..... **D25/60, 52, 119-125;  
52/204.1, 204.5, 730.3, 730.4, 730.5, 210,  
204.55, 204.56, 204.6, 214; 49/504, 505,  
DIG. 2, 407, 408, 404, 413, 419**

(56) **References Cited**

**U.S. PATENT DOCUMENTS**

D. 397,806 \* 9/1998 Hart ..... D25/124

D. 418,231 \* 12/1999 DiGiorgio ..... D25/124

\* cited by examiner

*Primary Examiner*—Doris Clark

(57) **CLAIM**

The ornamental design for a adjustable window frame extrusion, as shown and described.

**DESCRIPTION**

FIG. 1 is a perspective view of the adjustable window frame extrusion;

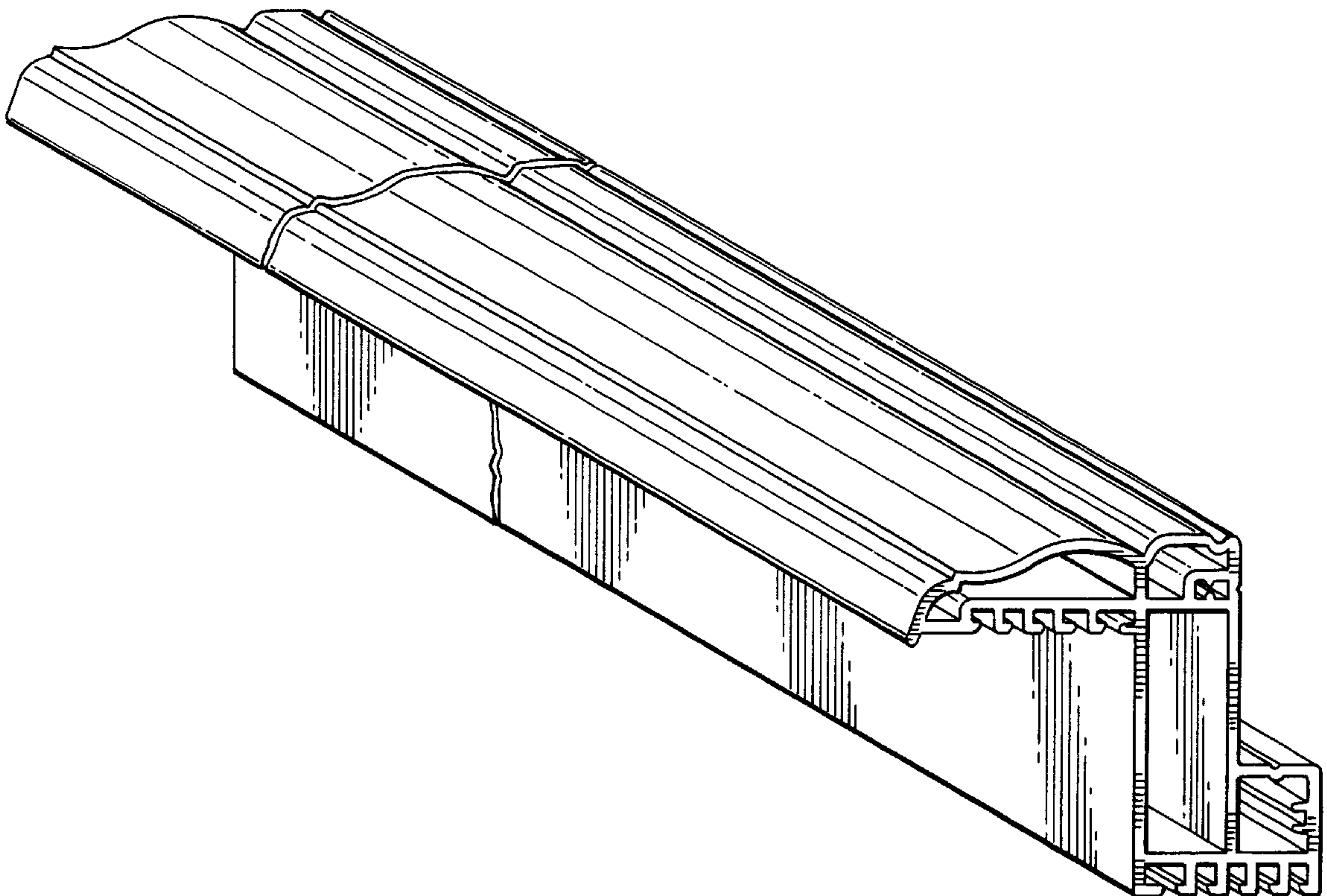
FIG. 2 is an end view of the adjustable window frame extrusion.

FIG. 3 is an end view of a second embodiment of the adjustable window frame extrusion; and,

FIG. 4 is a perspective view of the adjustable window frame extrusion.

The adjustable window frame extrusion of FIG. 1 is broken away to indicate indefinite length.

**1 Claim, 2 Drawing Sheets**



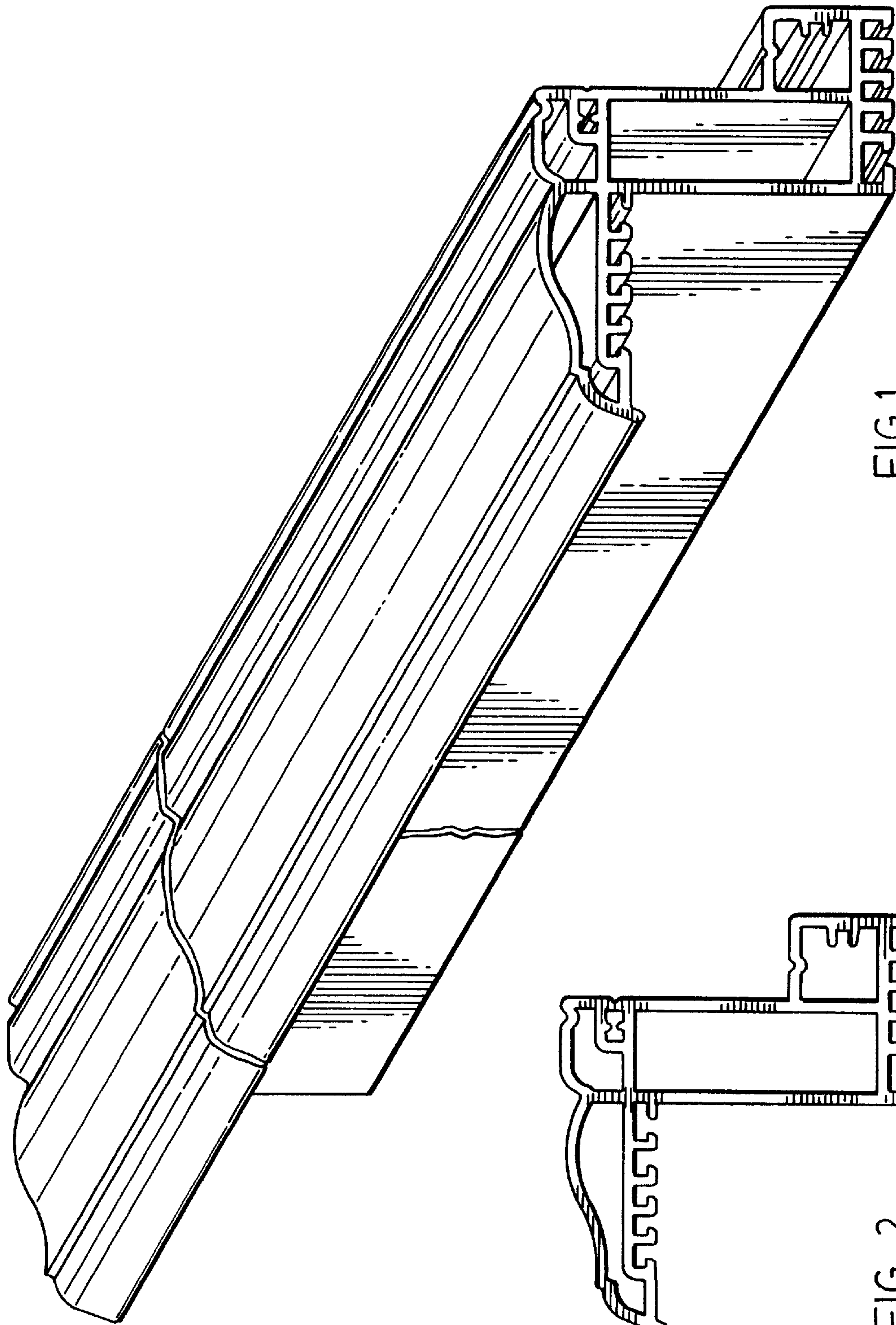


FIG. 1.

FIG. 2.

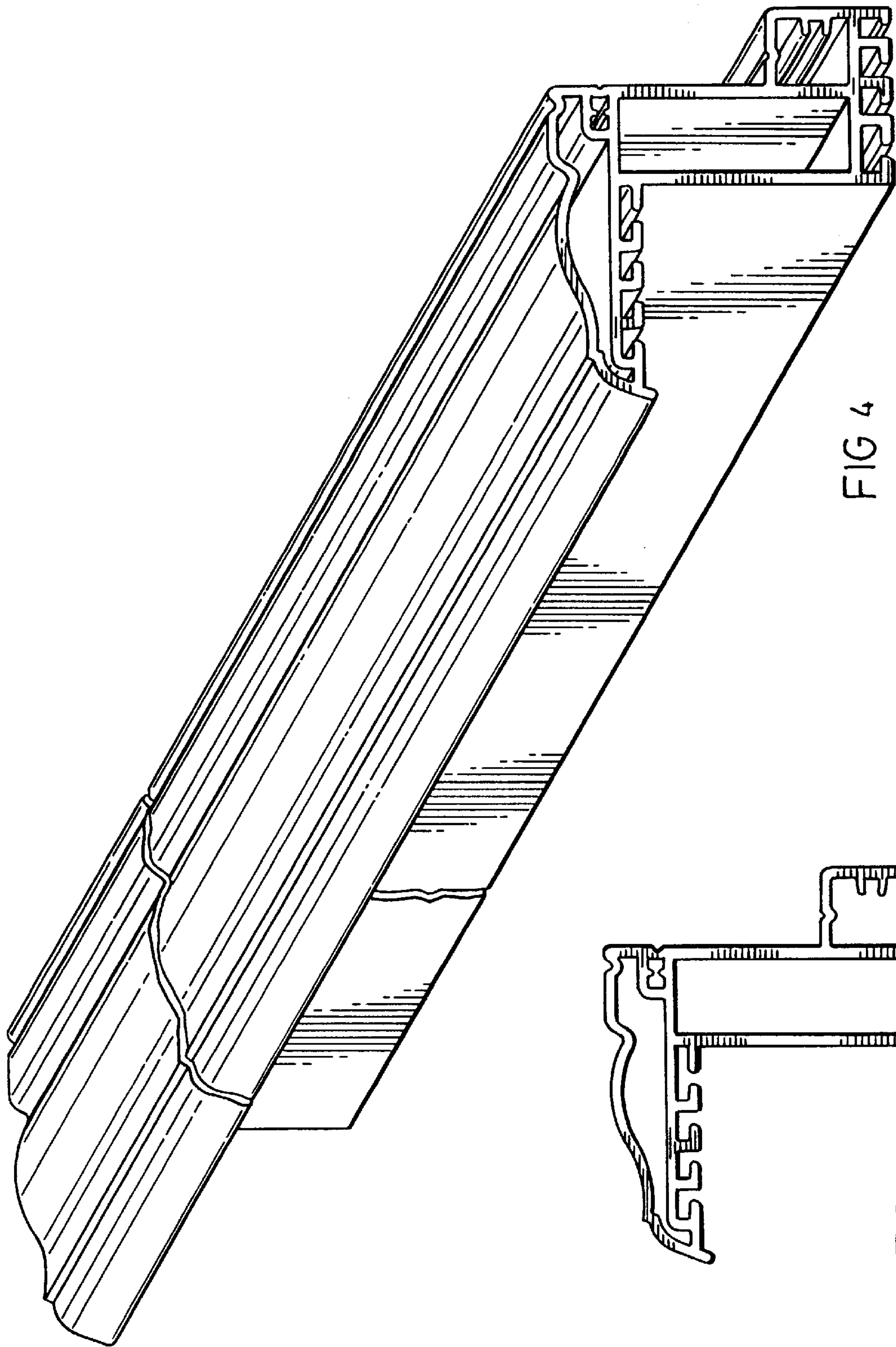


FIG 4

FIG 3