



US00D449698B1

(12) **United States Design Patent**  
**Franson et al.**

(10) **Patent No.:** **US D449,698 S**

(45) **Date of Patent:** **\*\* Oct. 23, 2001**

(54) **WINDOW COMPONENT EXTRUSION**

Mikron Industries, Inc. Part No. 616. (First drawn: Oct. 16, 1995).

(75) Inventors: **Jeffrey R. Franson**, Maple Valley;  
**Douglas L. Cole**, Seattle, both of WA  
(US)

\* cited by examiner

(73) Assignee: **Mikron Industries, Inc.**, Kent, WA  
(US)

*Primary Examiner*—Doris Clark  
(74) *Attorney, Agent, or Firm*—Richardson & Folise

(\*\*) Term: **14 Years**

(57) **CLAIM**

(21) Appl. No.: **29/120,228**

The ornamental design for a window component extrusion, as shown and described.

(22) Filed: **Mar. 15, 2000**

**DESCRIPTION**

(51) **LOC (7) Cl.** ..... **25-01**

(52) **U.S. Cl.** ..... **D25/124**

(58) **Field of Search** ..... D25/124, 60, 125,  
D25/119-123, 52; 49/DIG. 2, 504, 505;  
52/204.5, 204.56, 204.51, 230.3, 205.1

FIG. 1 is a top right perspective view of the window component extrusion which is broken in the center indicating indefinite length.

FIG. 2 is a bottom left perspective view of the window component extrusion shown in FIG. 1.

(56) **References Cited**

**U.S. PATENT DOCUMENTS**

- D. 384,425 9/1997 Goss .
- D. 388,186 \* 12/1997 Goss ..... D25/124

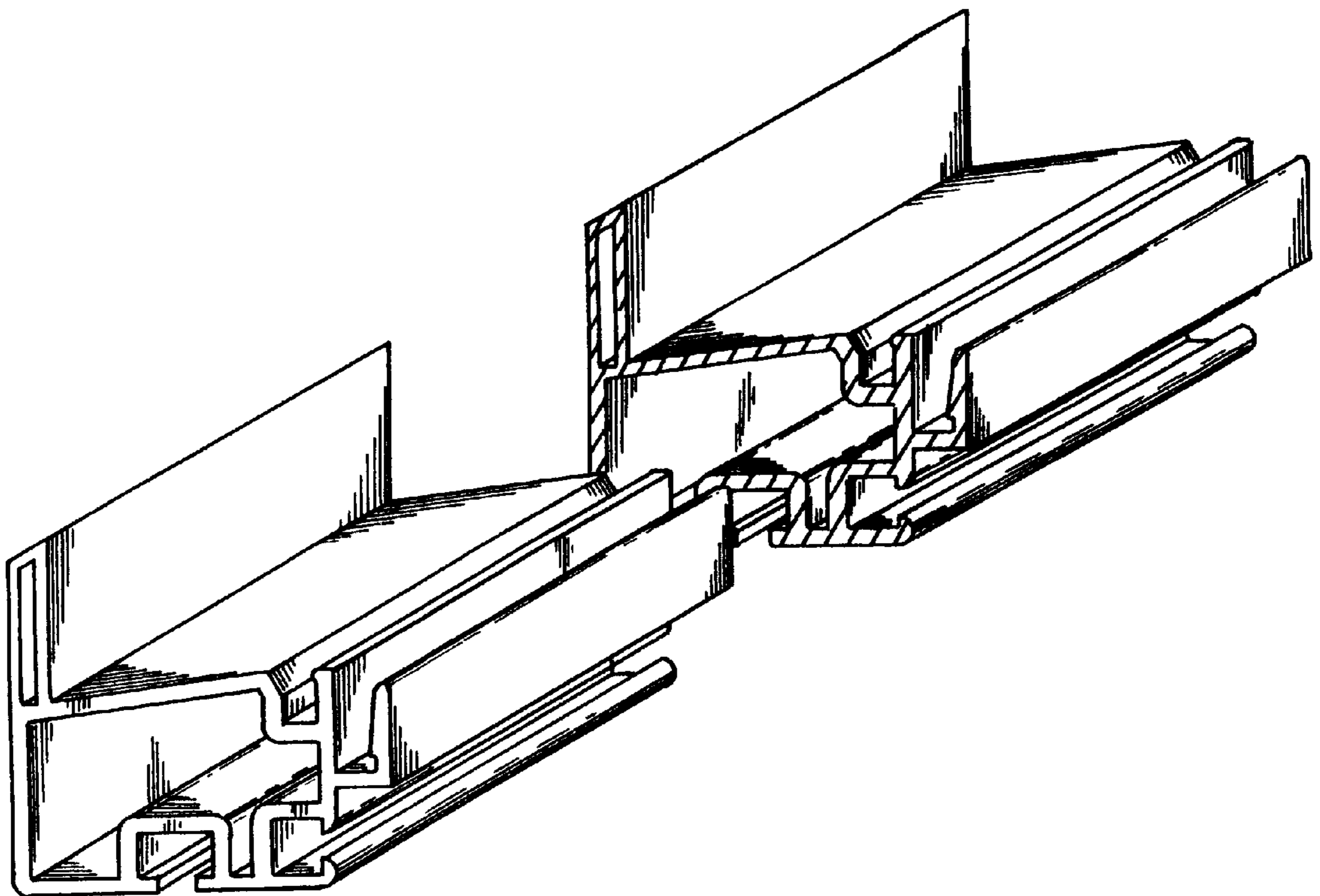
FIG. 3 is a top right perspective view of a second embodiment of the window component extrusion which is broken in the center indicating indefinite length; and,

FIG. 4 is a bottom left perspective view of the window component extrusion shown in FIG. 3.

**OTHER PUBLICATIONS**

Mikron Industries, Inc. Part No. 316. (First drawn: Jan. 24, 1994).

**1 Claim, 2 Drawing Sheets**



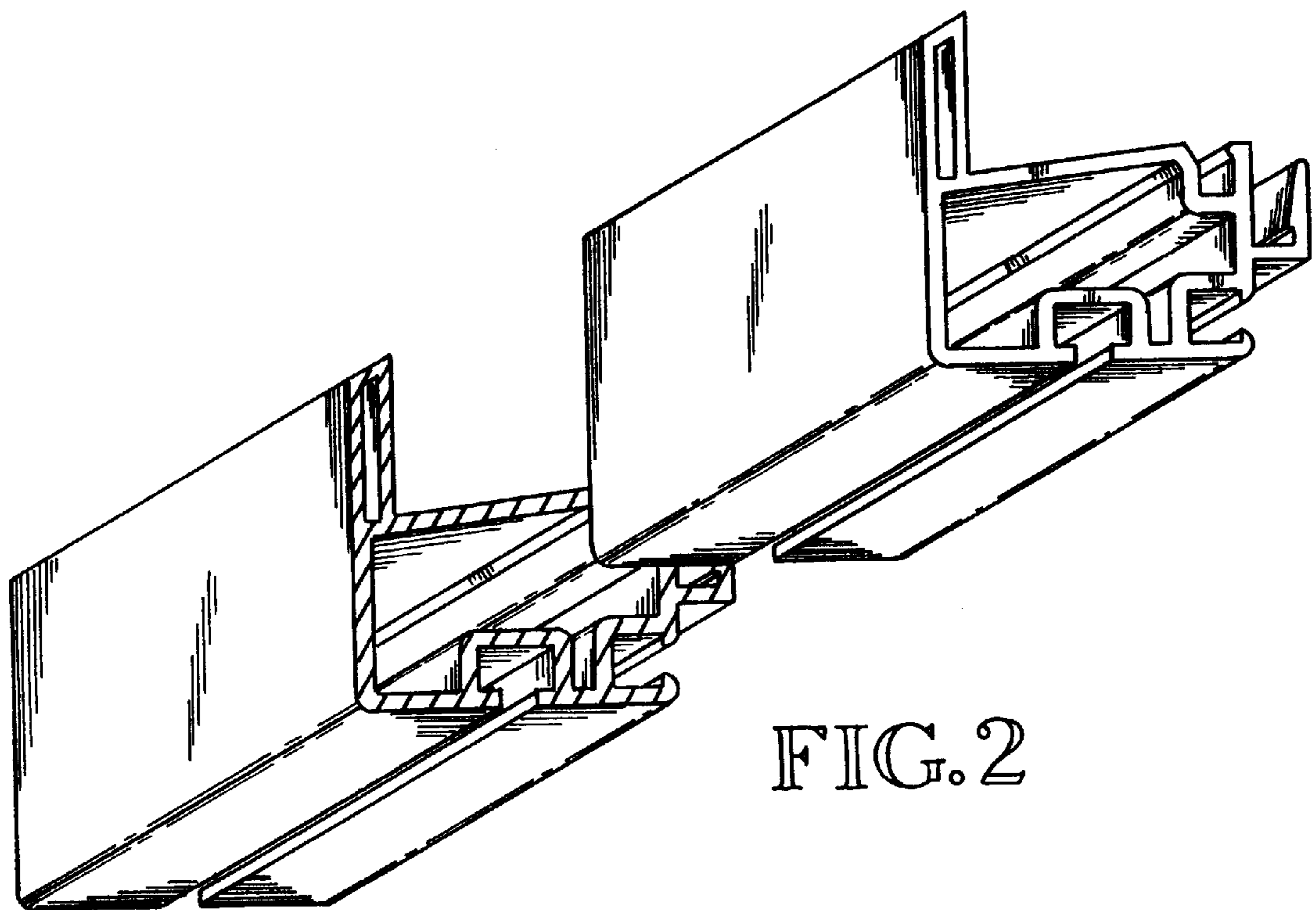
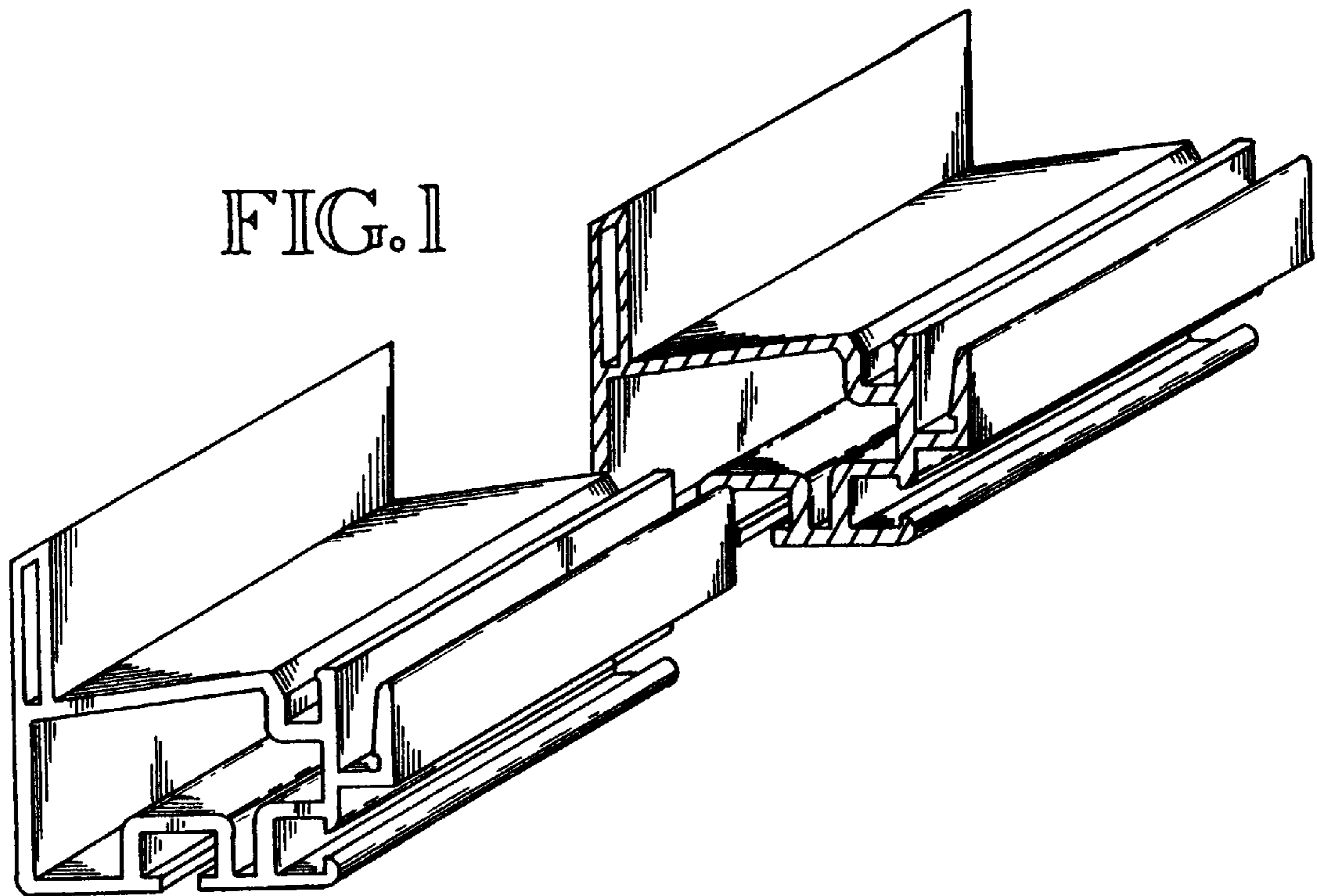


FIG. 3

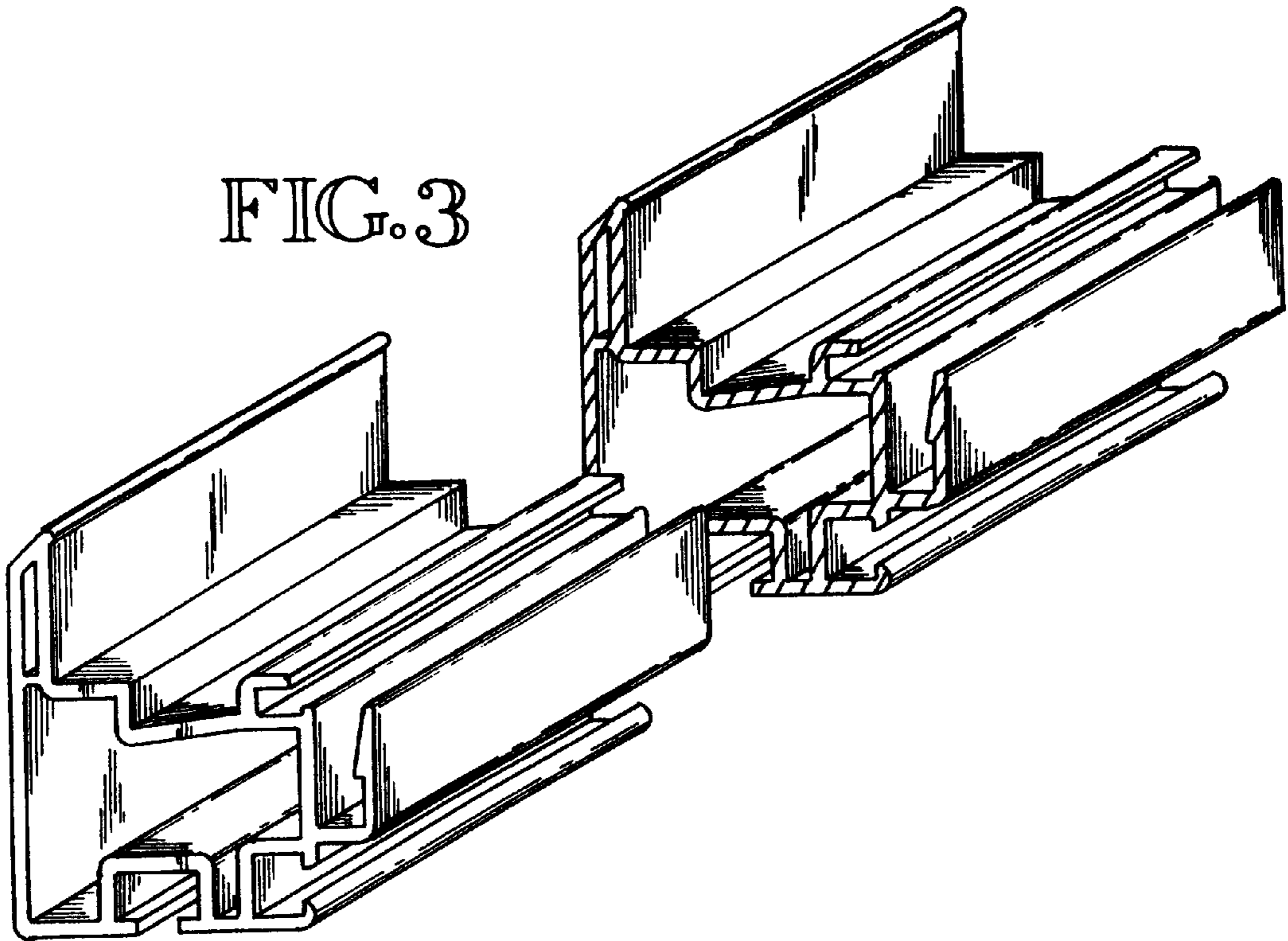


FIG. 4

