



US00D449697B1

(12) **United States Design Patent**
Falconer

(10) **Patent No.:** **US D449,697 S**

(45) **Date of Patent:** **** Oct. 23, 2001**

(54) **PAVER**

(75) Inventor: **Michael Falconer**, Perth (AU)

(73) Assignee: **Urbanstone Pty Ltd.**, Jandakot (AU)

(**) Term: **14 Years**

(21) Appl. No.: **29/134,576**

(22) Filed: **Dec. 27, 2000**

(30) **Foreign Application Priority Data**

Jun. 30, 2000 (AU) 2039/00

(51) **LOC (7) Cl.** **25-01**

(52) **U.S. Cl.** **D25/113**

(58) **Field of Search** D25/102, 112-118;
D21/484-486, 489-491, 499-502; 404/17-21,
27-31, 34-42; 52/102, 574-581, 596-612

(56) **References Cited**

U.S. PATENT DOCUMENTS

5,466,089 * 11/1995 Jurik 404/34

FOREIGN PATENT DOCUMENTS

1050973 * 3/1989 (GB) .

OTHER PUBLICATIONS

Sweet's General Building and Renovation Catalog, 1993:
Interlocking Pavers, Krehling Industries, Inc., buyline
02515/KRE, assorted pavers.*

* cited by examiner

Primary Examiner—Louis S. Zarfaz

Assistant Examiner—Robert A. Delehanty

(74) *Attorney, Agent, or Firm*—Rothwell, Figg, Ernst & Manbeck

(57) **CLAIM**

The ornamental design for a paver, as shown and described.

DESCRIPTION

FIG. 1 is a is an upper isometric view of a paver according to the design

FIG. 2 is a is a plan view of a paver as illustrated in FIG. 1.

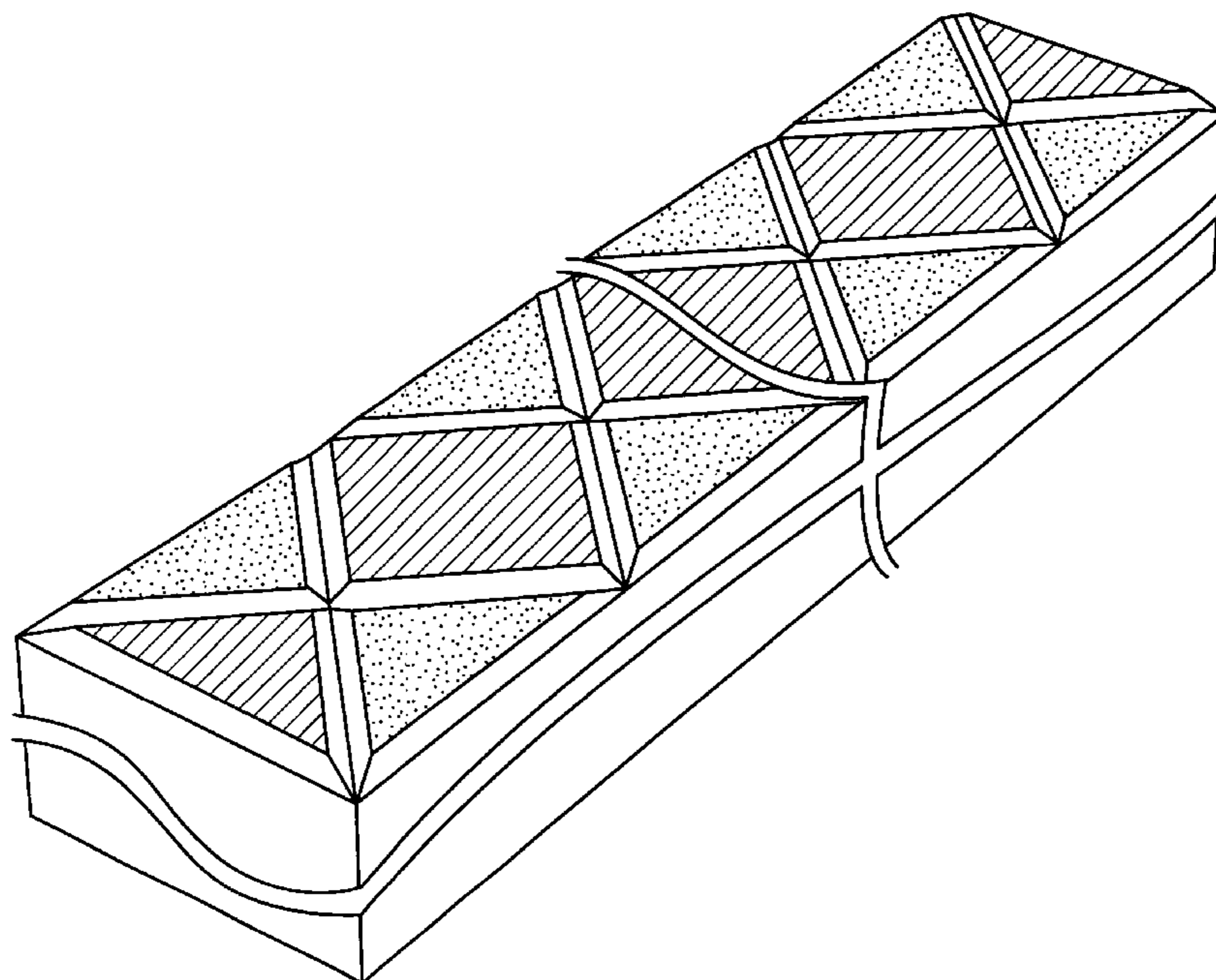
FIG. 3 is a side elevation of a paver as shown at FIG. 1

FIG. 4 is an end elevation of a paver as shown at FIG. 1; and,

FIG. 5 is a sectional view along line A—A as shown at FIG. 2.

The design relates to the shape and configuration of a paver having a pattern and ornamentation as illustrated in the accompanying drawings. The portions of the upper surface of the paver as shown at FIGS. 1 and 2 having a darker shading have a polished appearance and the portions of the upper surface having the lighter shading have an unpolished appearance. The paver is of indefinite length and depth.

1 Claim, 2 Drawing Sheets



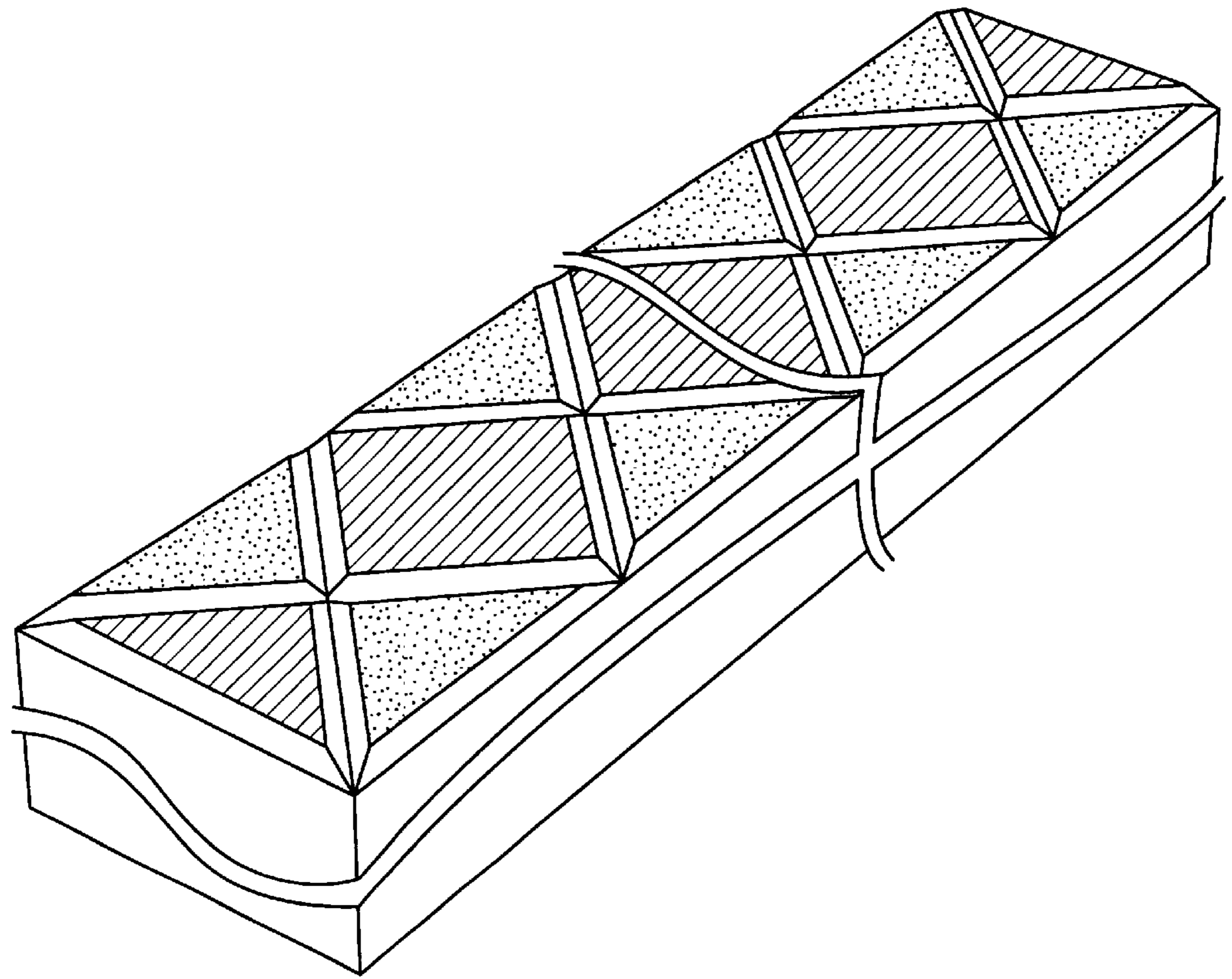


FIG. 1

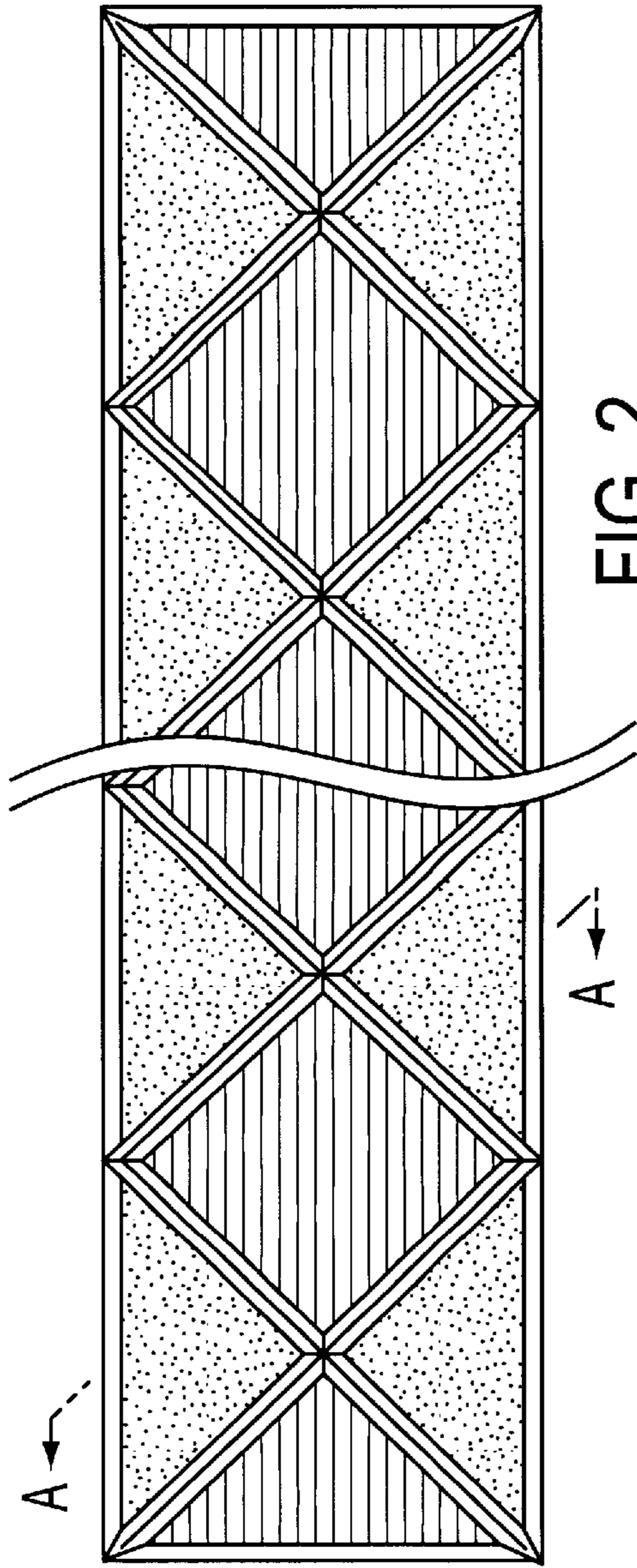


FIG. 2

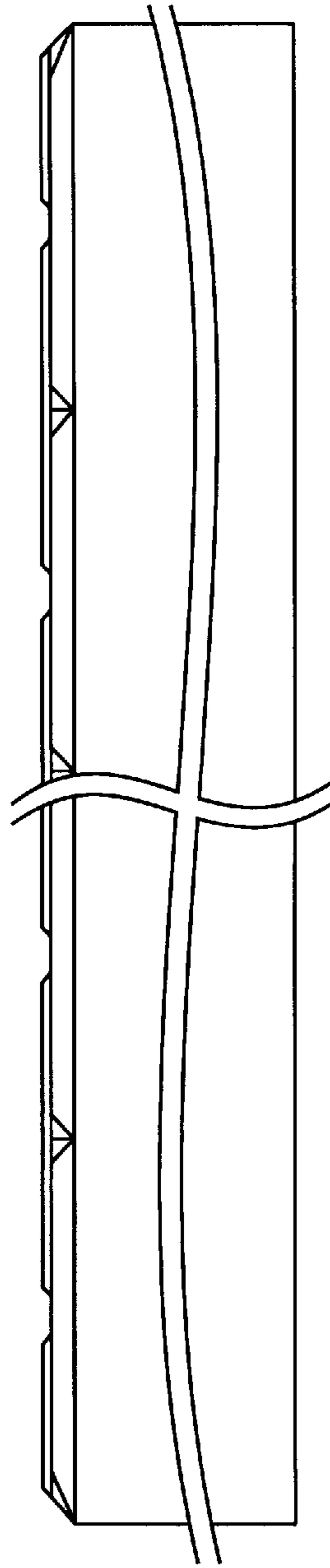


FIG. 3

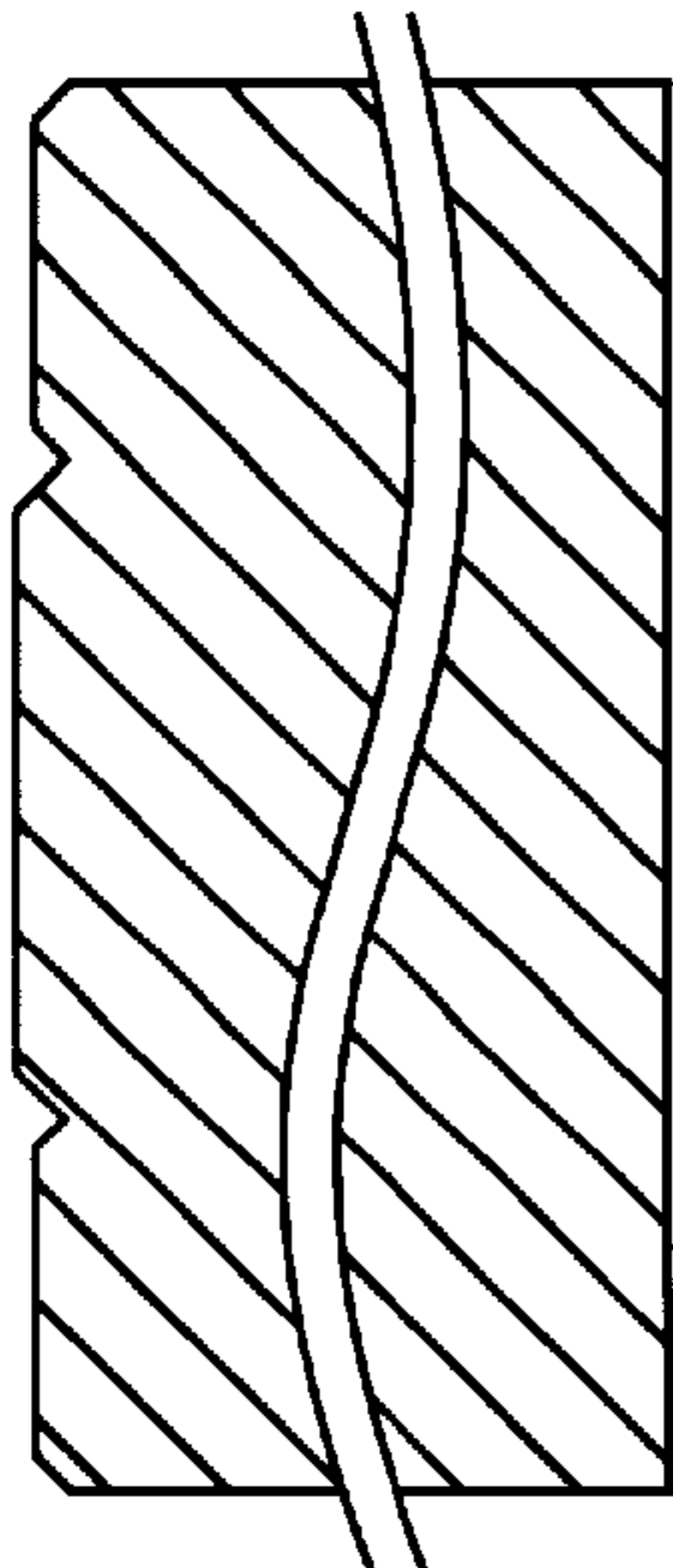


FIG. 5

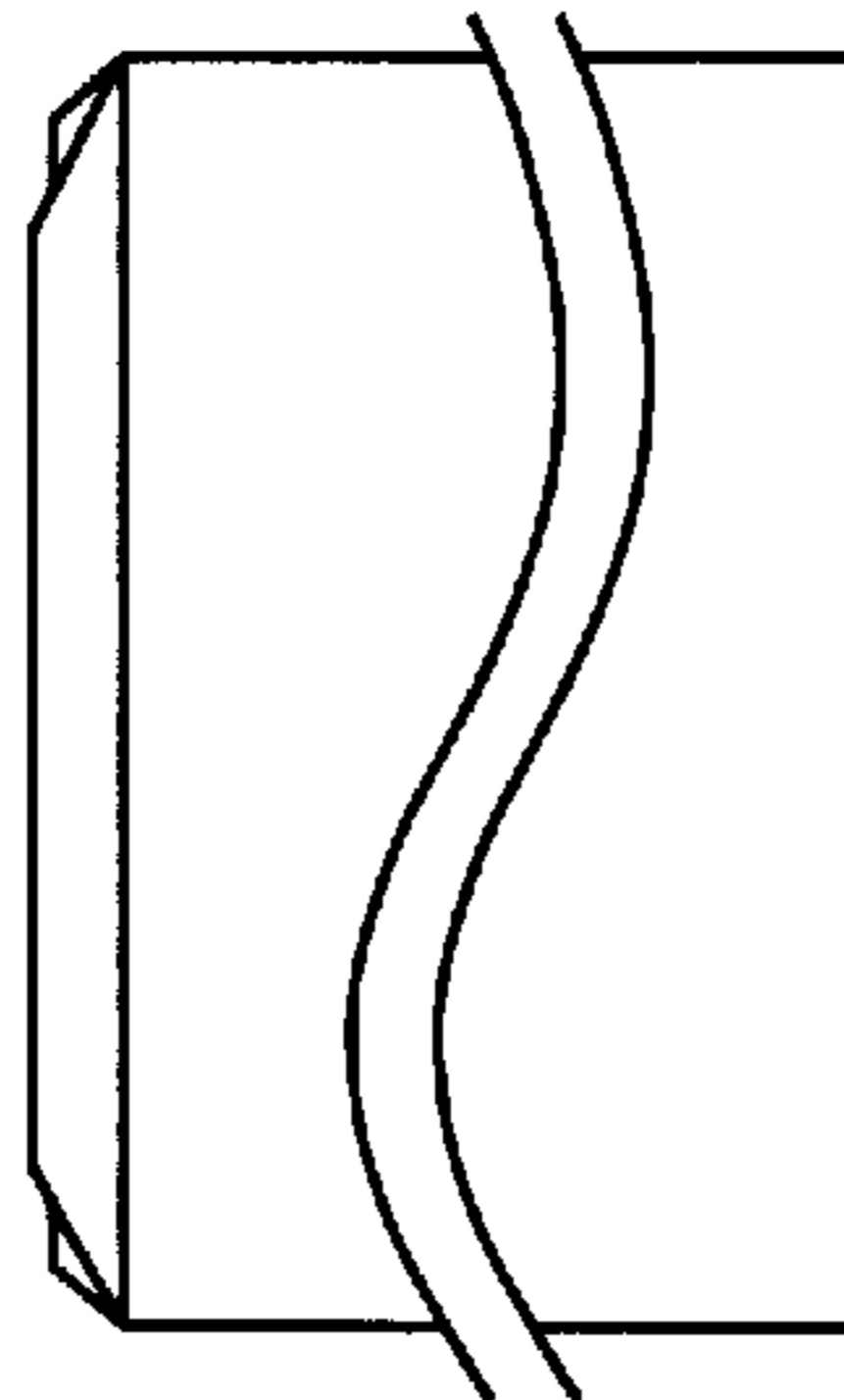


FIG. 4