



US00D449696B1

(12) **United States Design Patent**
Sulik et al.

(10) **Patent No.:** **US D449,696 S**

(45) **Date of Patent:** **** Oct. 23, 2001**

(54) **HAND SPA**

(75) Inventors: **Joseph M. Sulik**, Bridgeport, CT (US);
George Schmidt, Douglaston; **Zeljko Segota**, East Northport, both of NY (US)

(73) Assignee: **Remington Corporation, L.L.C.**, Bridgeport, CT (US)

(**) Term: **14 Years**

(21) Appl. No.: **29/135,430**

(22) Filed: **Jan. 11, 2001**

(51) **LOC (7) Cl.** **24-04**

(52) **U.S. Cl.** **D24/200**

(58) **Field of Search** D24/200; 607/96, 607/104, 108, 111, 291; D28/56, 51

(56) **References Cited**

U.S. PATENT DOCUMENTS

- D. 440,662 * 4/2001 Ferber D24/200
- D. 441,455 * 5/2001 Feer et al. D24/200
- D. 442,284 * 5/2001 Ferber D24/200
- 3,157,774 * 11/1964 Moore et al. 392/444

- 4,632,115 * 12/1986 Bernardini 607/86
- 4,782,835 * 11/1988 Bernardini 607/114
- 4,880,415 * 11/1989 Urakami 604/291
- 4,967,061 * 10/1990 Weber, Jr. et al. 219/438
- 5,674,268 * 10/1997 Riazzi 607/96

* cited by examiner

Primary Examiner—Stella Reid

(74) *Attorney, Agent, or Firm*—Melvin I. Stoltz

(57) **CLAIM**

The ornamental design for the hand spa, as shown and described.

DESCRIPTION

FIG. 1 is a front elevational view of the hand spa showing our new design;
 FIG. 2 is a rear elevational view thereof;
 FIG. 3 is a left side view thereof;
 FIG. 4 is a right side view thereof;
 FIG. 5 is a top plan view thereof; and,
 FIG. 6 is a bottom plan view thereof.
 The broken line showing of the cord is for illustrative purposes only and forms no part of the claimed design.

1 Claim, 3 Drawing Sheets

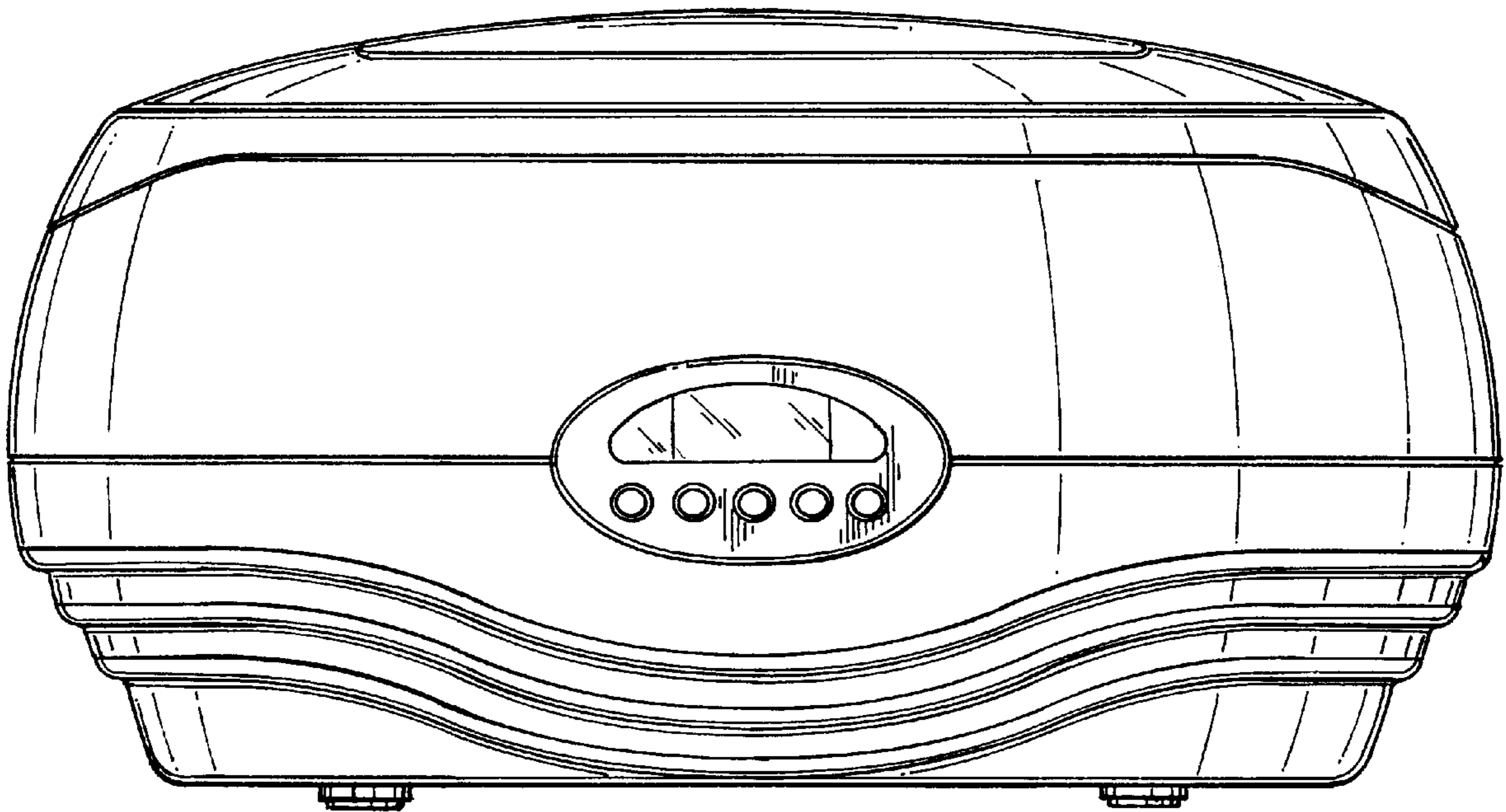


FIG. 1

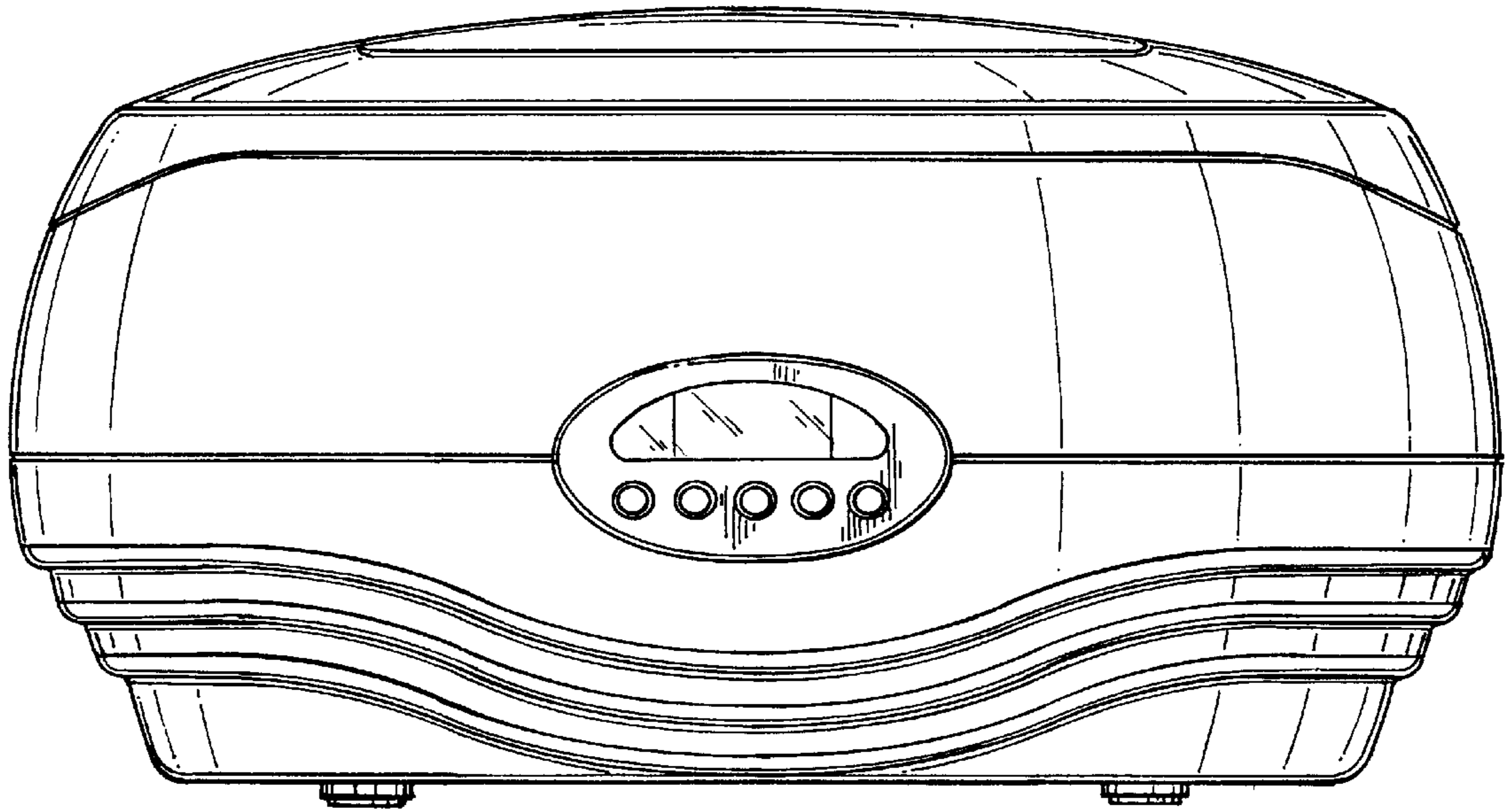


FIG. 2

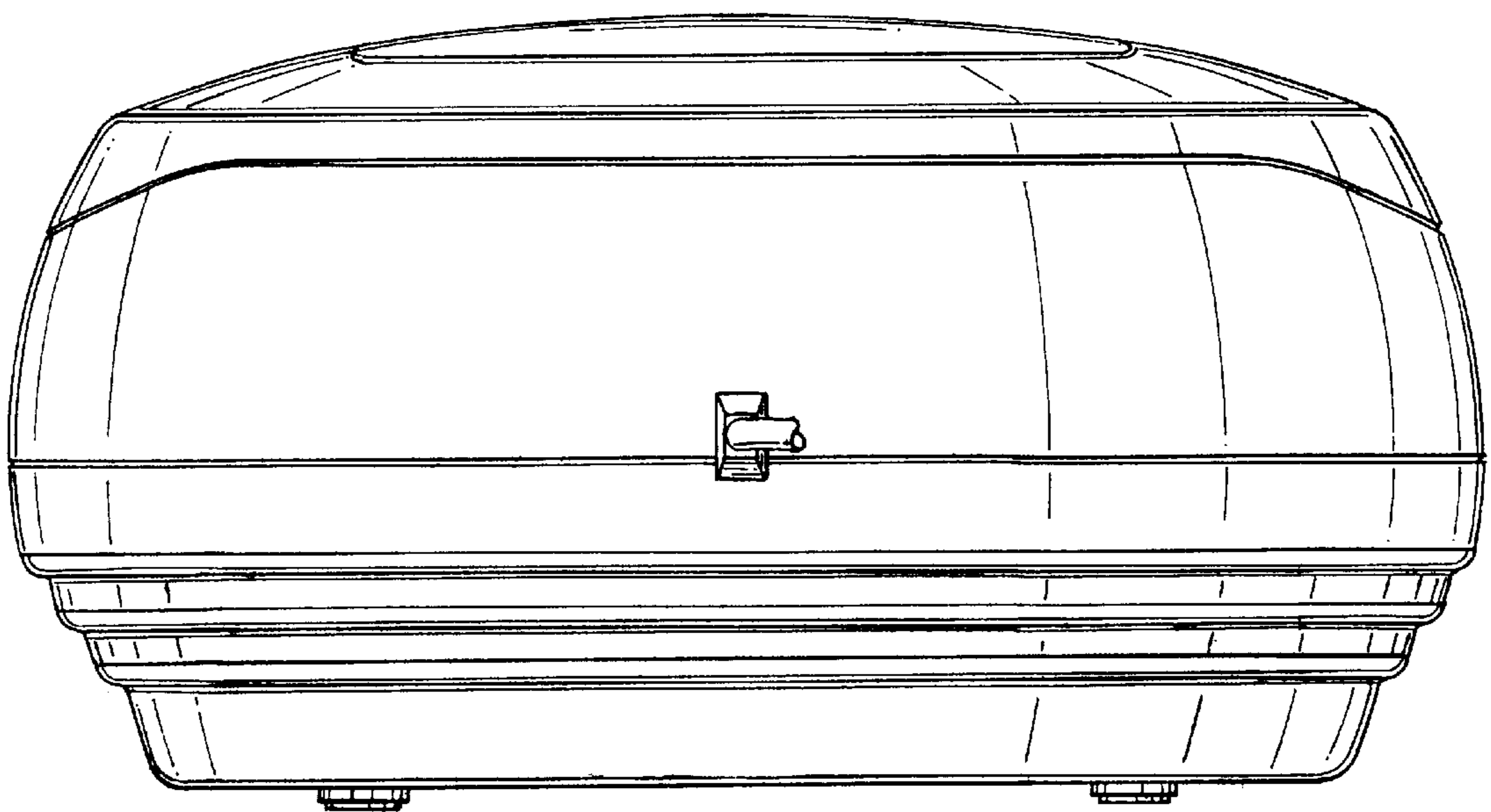


FIG. 3

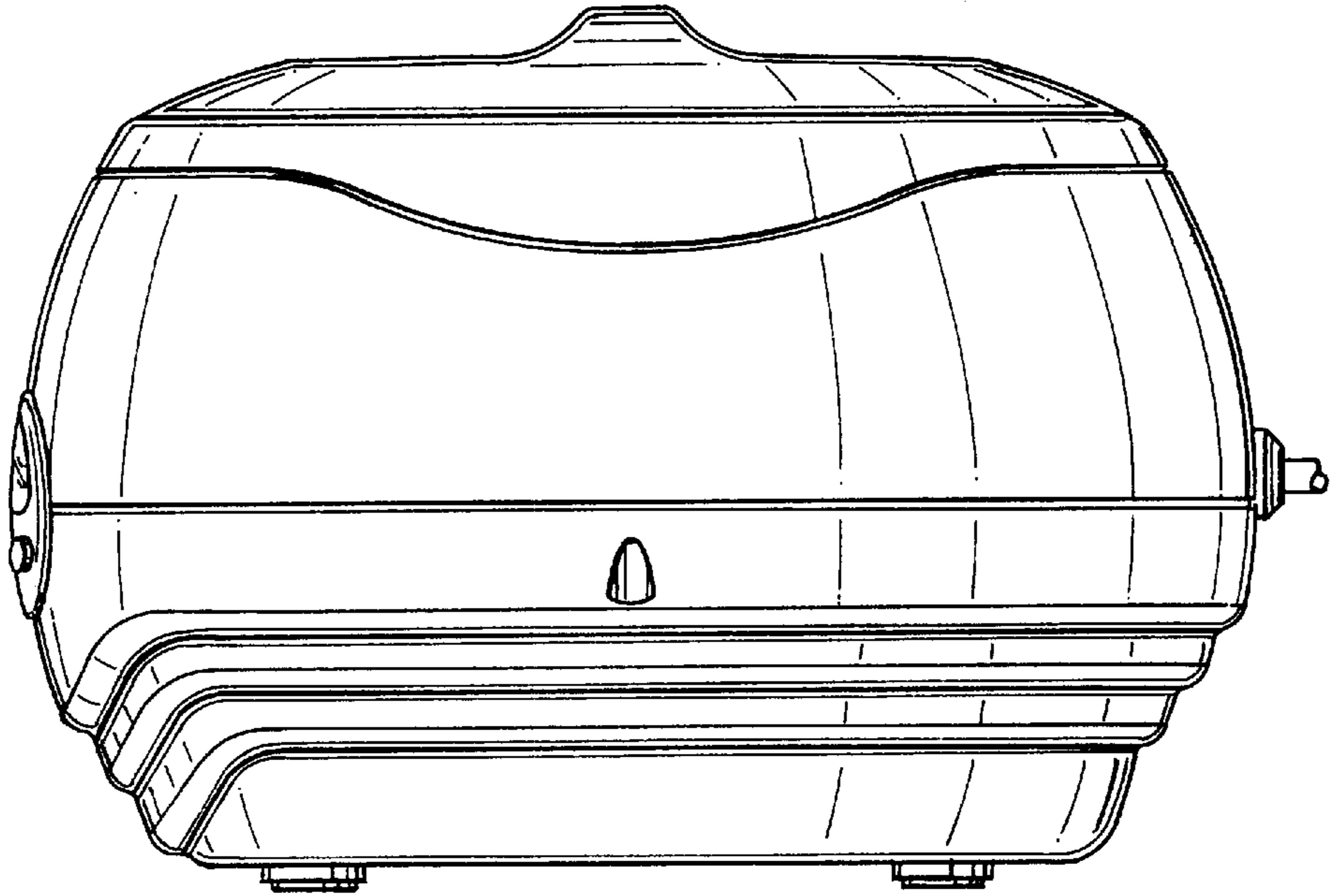


FIG. 4

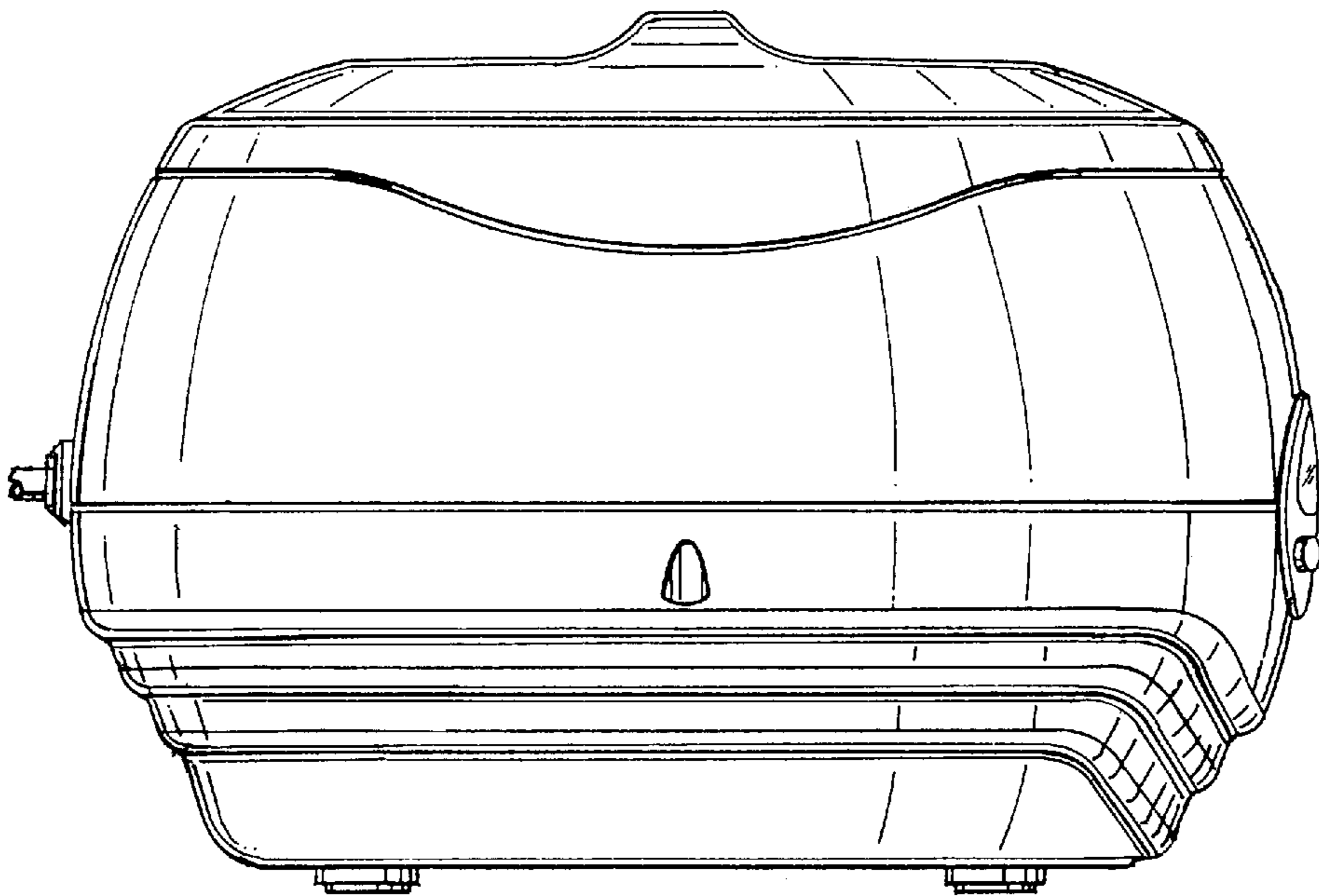


FIG. 5

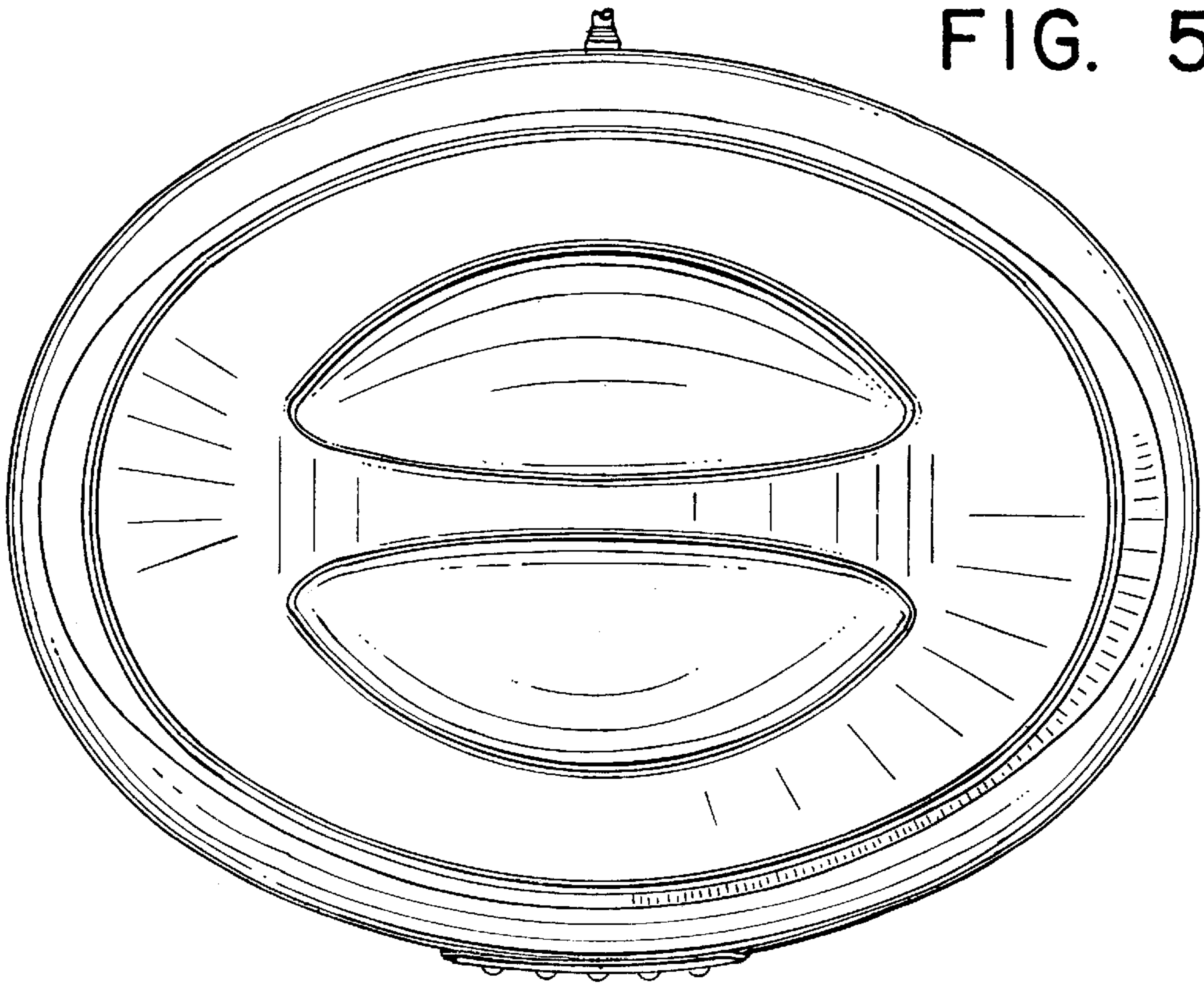


FIG. 6

