



US00D449695B1

(12) **United States Design Patent**  
**Ponton et al.**

(10) **Patent No.:** **US D449,695 S**

(45) **Date of Patent:** **\*\* Oct. 23, 2001**

(54) **BACK MANIPULATOR**

(76) Inventors: **David Andrew Ponton**, 93, Church Road, Leckhampton, Cheltenham, Glos GL53 0PF (GB); **Jason Rosser**, 71, Leckhampton Road, Leckhampton, Cheltenham, Glos GL53 0BS (GB)

(\*\*) Term: **14 Years**

(21) Appl. No.: **29/131,613**

(22) Filed: **Oct. 26, 2000**

(51) **LOC (7) Cl.** ..... **24-04**

(52) **U.S. Cl.** ..... **D24/200**

(58) **Field of Search** ..... D24/200; 601/97, 601/98, 100, 134, 136

(56) **References Cited**

**U.S. PATENT DOCUMENTS**

D. 312,694 \* 12/1990 Yanazaki ..... D24/215

D. 348,519 \* 7/1994 Cagle ..... D24/211  
D. 374,082 \* 9/1996 Vitko ..... D24/211  
D. 393,723 \* 4/1998 Stojanovic ..... D24/200  
D. 398,399 \* 9/1998 Vincent et al. .... D24/200  
D. 435,109 \* 12/2000 Stojanovic ..... D24/200

\* cited by examiner

*Primary Examiner*—Stella Reid

(74) *Attorney, Agent, or Firm*—Young & Thompson

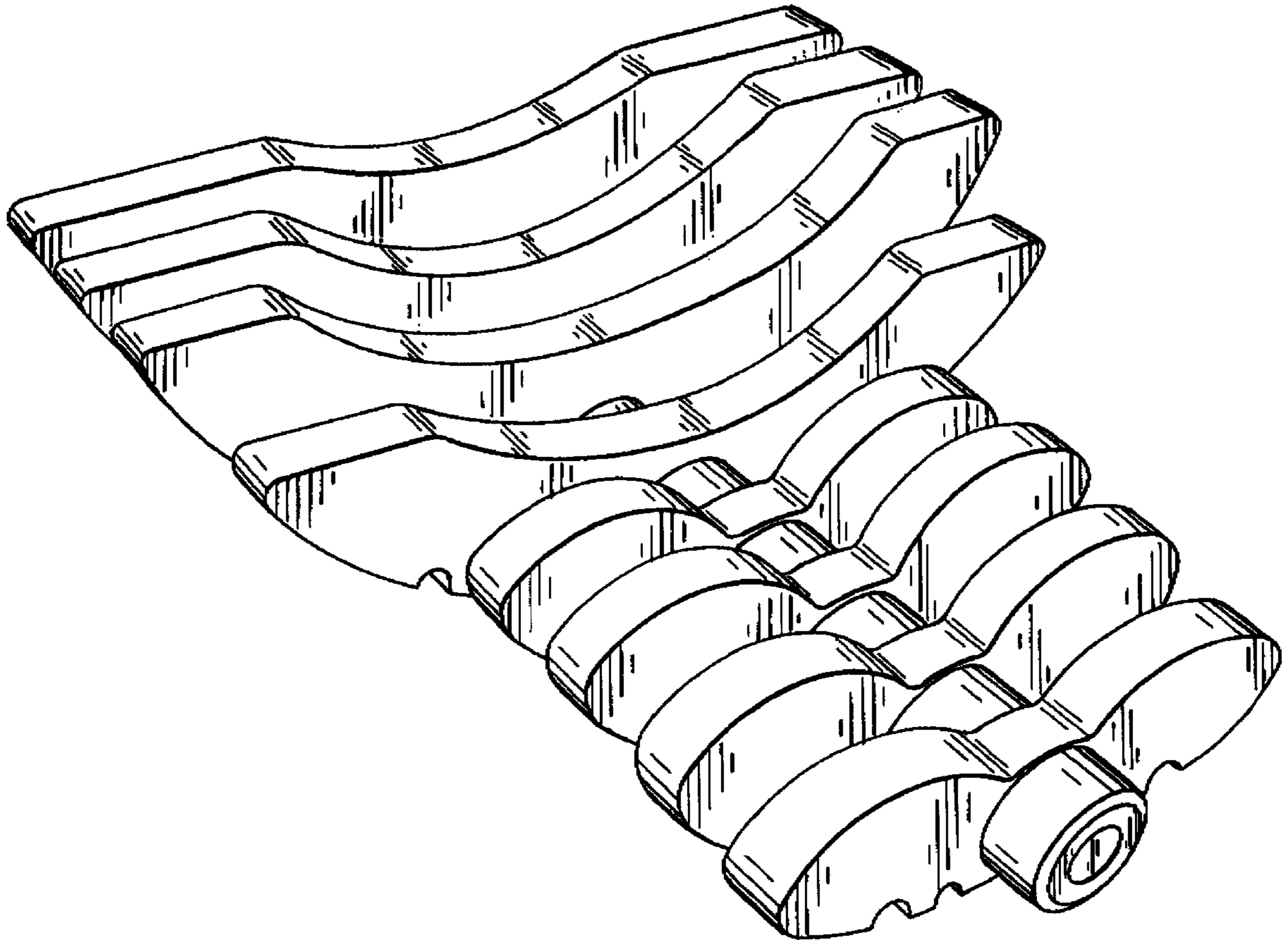
(57) **CLAIM**

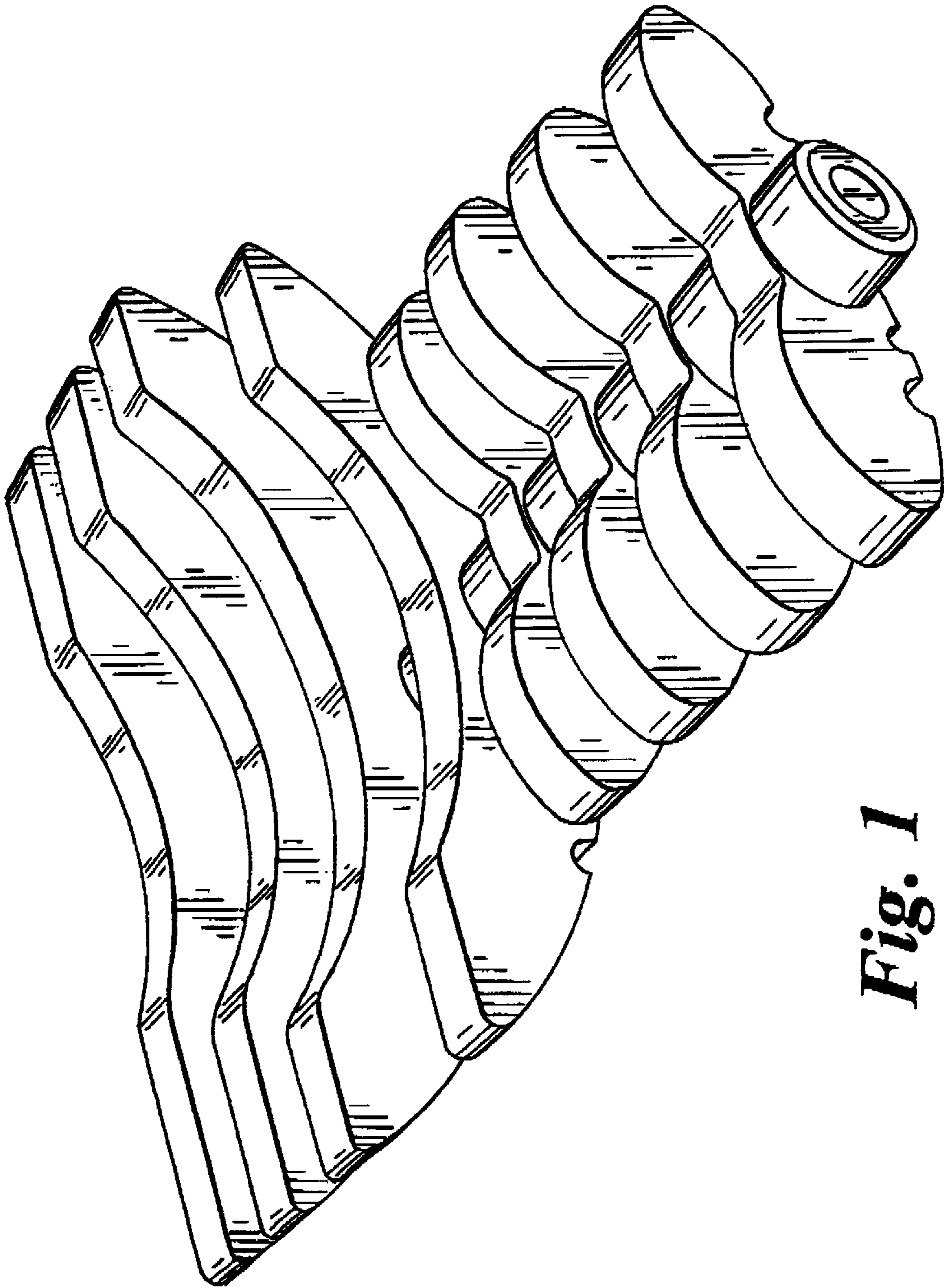
The ornamental design for a back manipulator, as shown.

**DESCRIPTION**

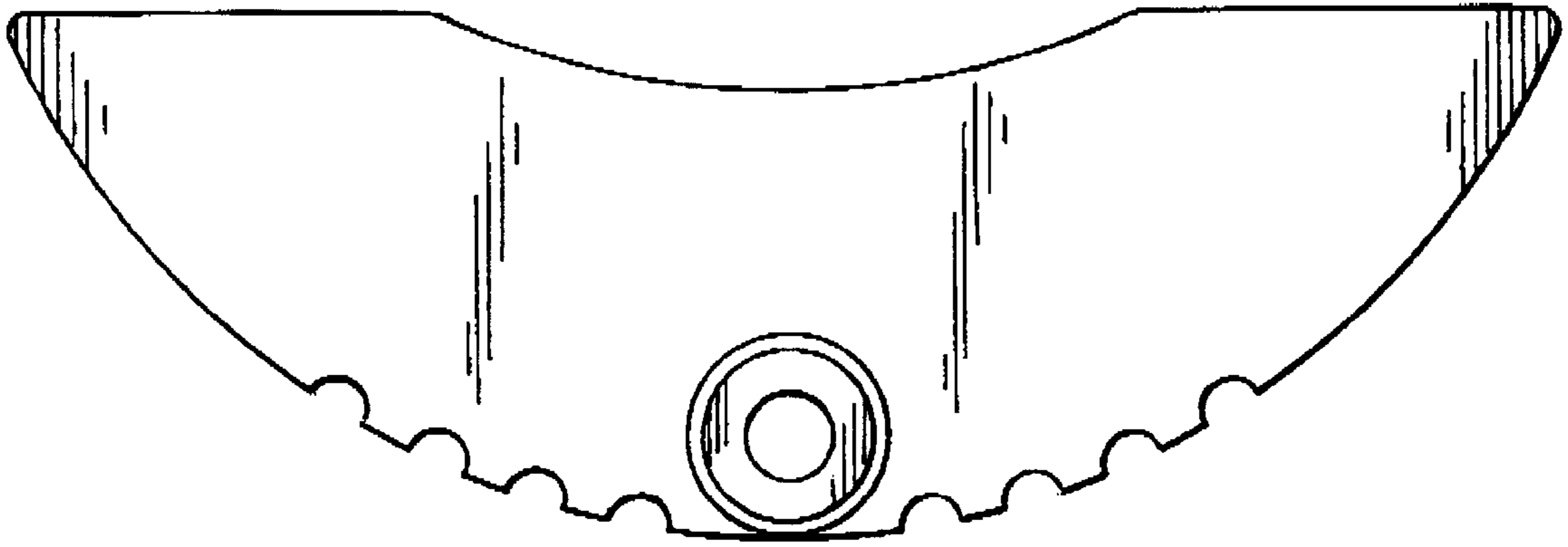
FIG. 1 is a view from the front and one side  
FIG. 2 is a rear end view  
FIG. 3 is a front end view  
FIG. 4 is a view from said one side  
FIG. 5 is a top plan view; and,  
FIG. 6 is an underneath plan view.

**1 Claim, 5 Drawing Sheets**

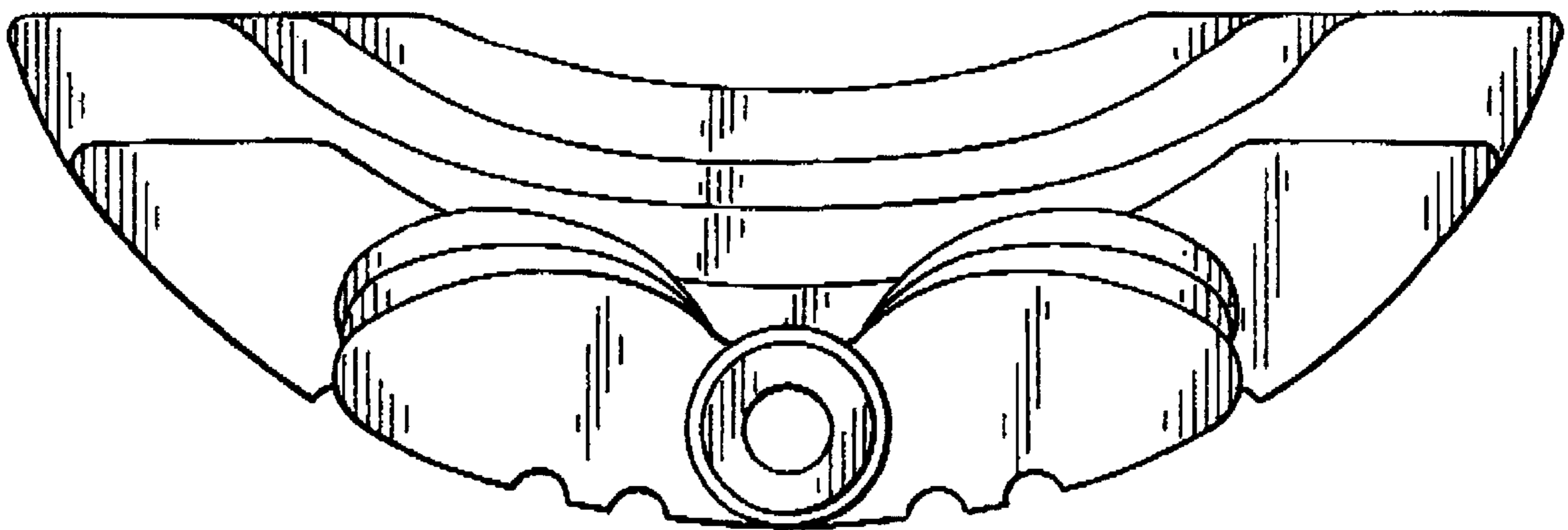




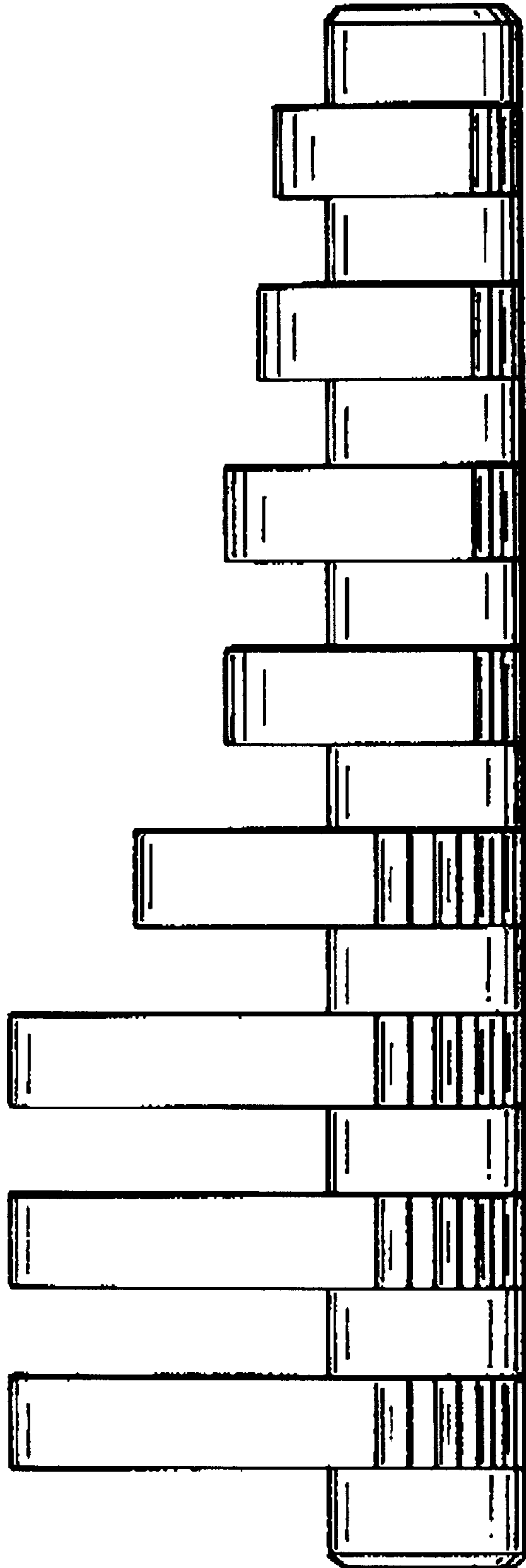
**Fig. 1**



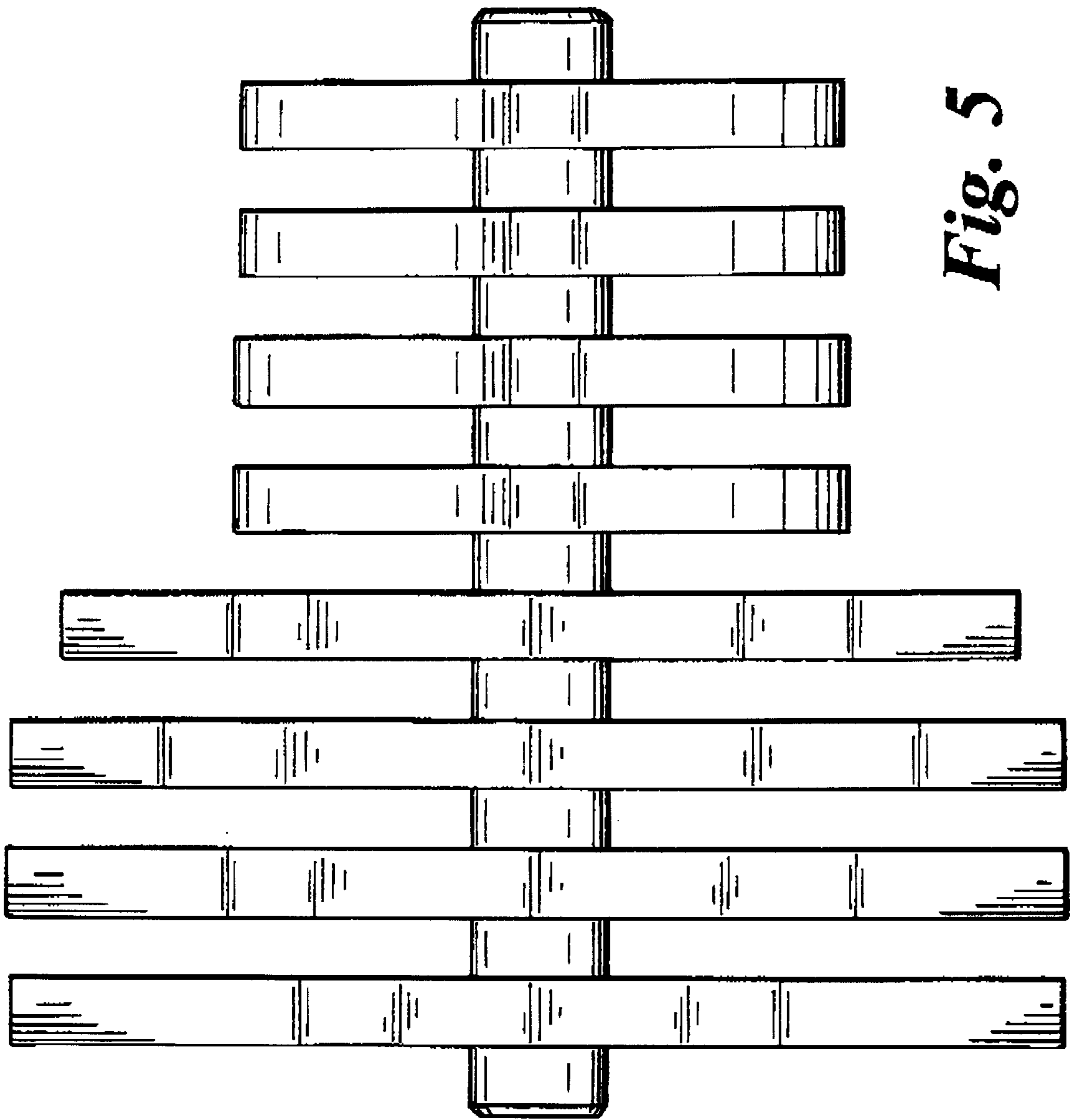
*Fig. 2*



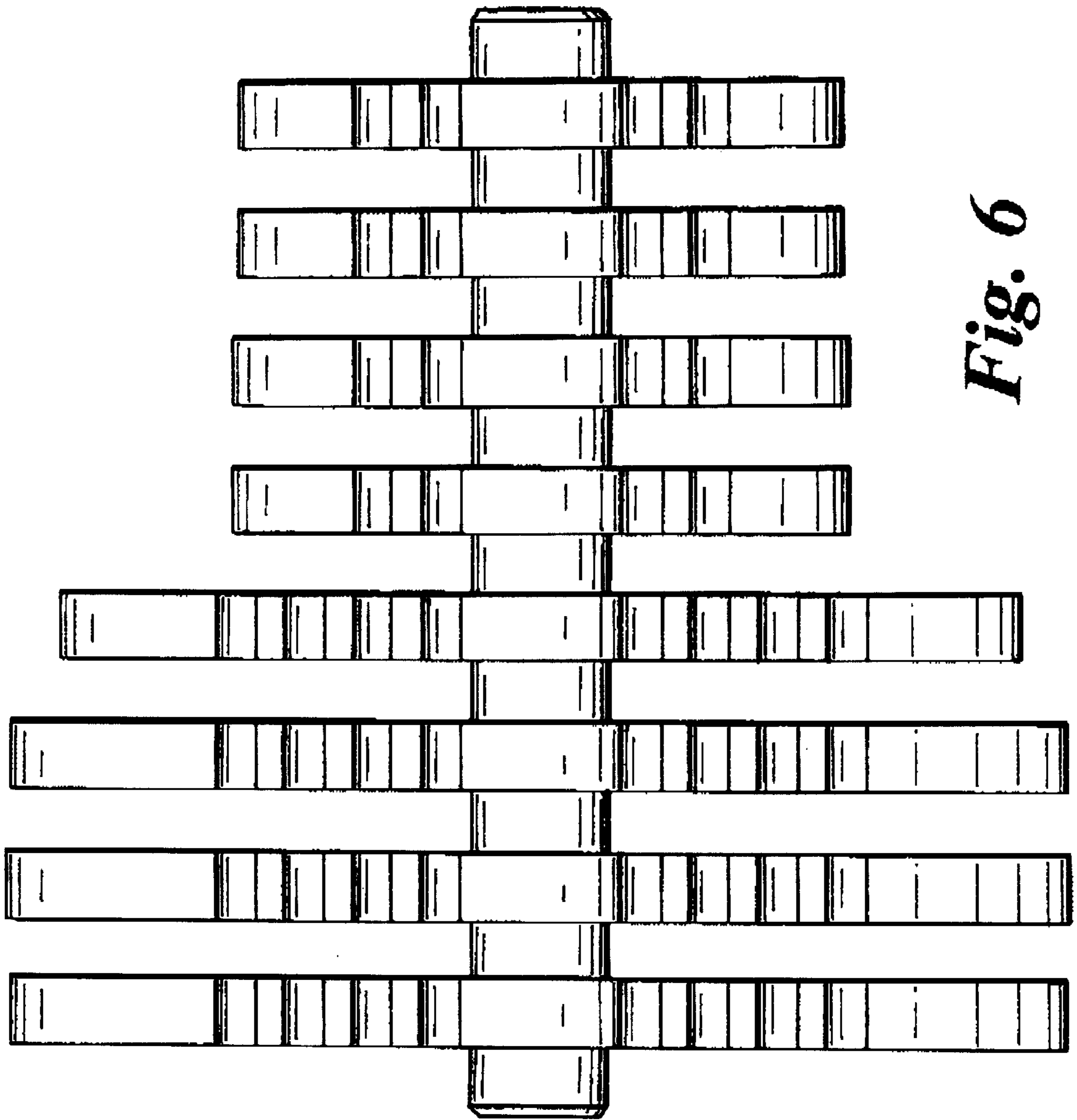
*Fig. 3*



*Fig. 4*



*Fig. 5*



*Fig. 6*