



US00D449691B1

(12) **United States Design Patent**
Reiley et al.

(10) **Patent No.:** **US D449,691 S**

(45) **Date of Patent:** **** Oct. 23, 2001**

(54) **HAND-HELD SURGICAL INSTRUMENT**

5,385,151 * 1/1995 Scarfone et al. 600/567

5,807,275 * 9/1998 Jamshidi 600/567

6,221,029 * 4/2001 Mathis et al. 600/564

(75) Inventors: **Mark A. Reiley**, Piedmont; **Michael L. Reo**, Redwood City; **Robert M. Scribner**, Los Altos; **Arthur E. Ferdinand**, San Jose, all of CA (US)

* cited by examiner

(73) Assignee: **Kyphon Inc.**, Sunnyvale, CA (US)

Primary Examiner—Ian Simmons

(74) *Attorney, Agent, or Firm*—Ryan Kromholz & Manion, SC

(**) Term: **14 Years**

(21) Appl. No.: **29/131,575**

(57) **CLAIM**

(22) Filed: **Oct. 24, 2000**

The ornamental design for a hand-held surgical instrument, as shown and described.

Related U.S. Application Data

DESCRIPTION

(63) Continuation-in-part of application No. 29/112,548, filed on Oct. 19, 1999, now Pat. No. Des. 439,980.

FIG. 1 is a perspective view of a hand-held surgical instrument incorporating my new design.

(51) **LOC (7) Cl.** **24-02**

FIG. 2 is a front plan view thereof;

(52) **U.S. Cl.** **D24/147**

FIG. 3 is a back plan view thereof;

(58) **Field of Search** D24/146, 147; 600/567, 566, 562, 564; 604/164.1, 165.01, 166, 167.03, 256, 264, 246, 188, 170; 606/186, 184, 185, 79

FIG. 4 is a top plan view thereof;

FIG. 5 is a bottom plan view thereof; and,

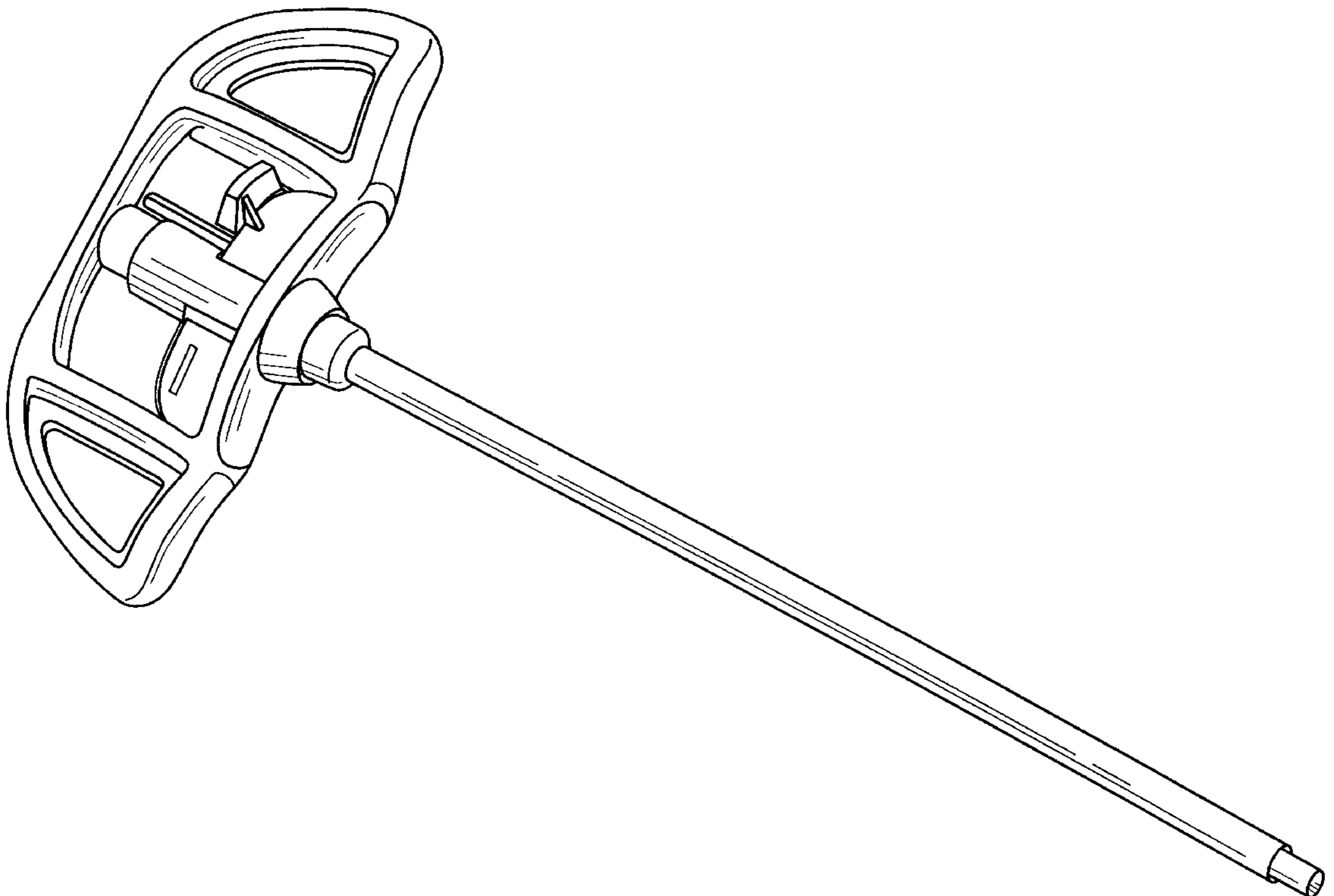
FIG. 6 is a left side view thereof, with the right side view being a mirror image of the left side view.

(56) **References Cited**

U.S. PATENT DOCUMENTS

5,257,632 * 11/1993 Turkel et al. 600/567

1 Claim, 5 Drawing Sheets



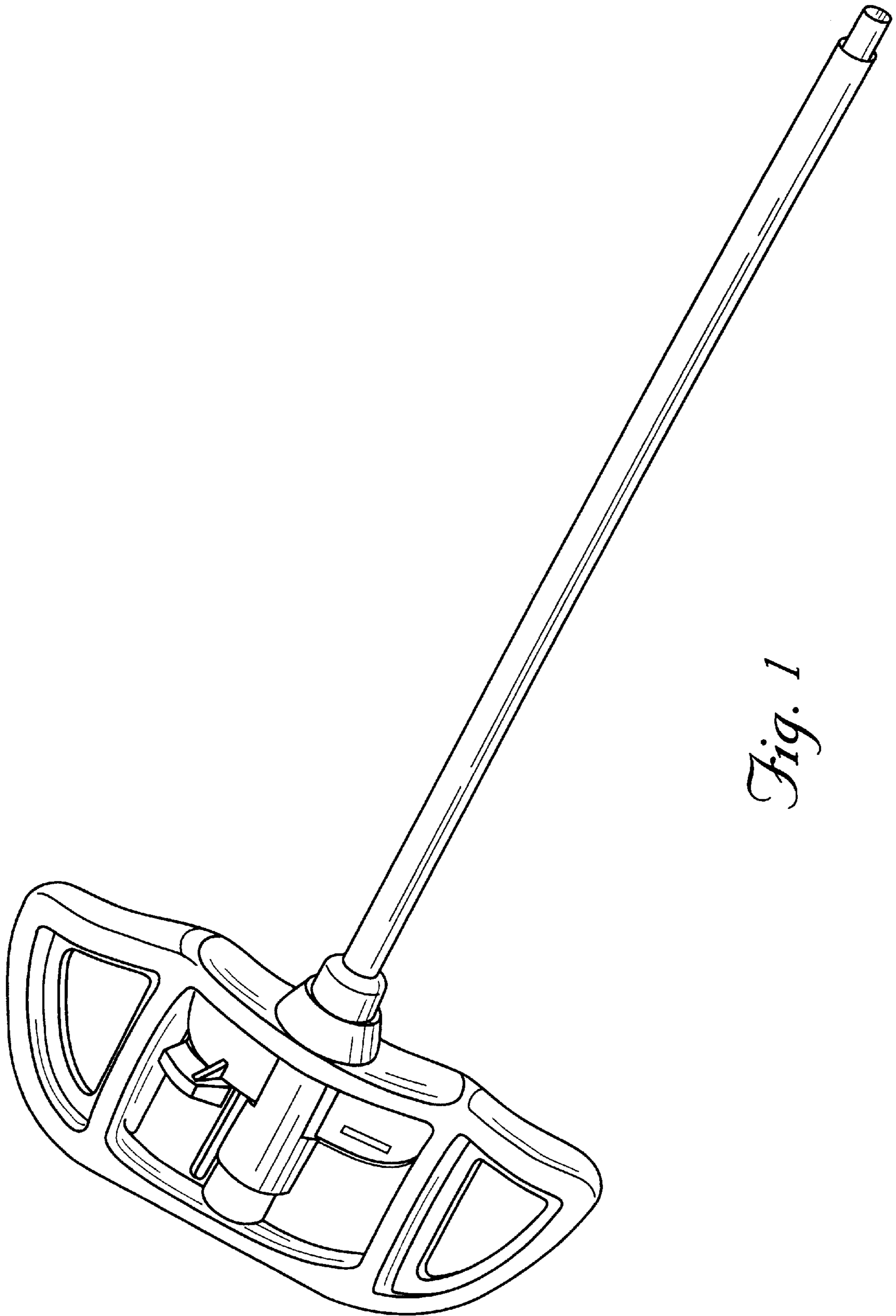


Fig. 1

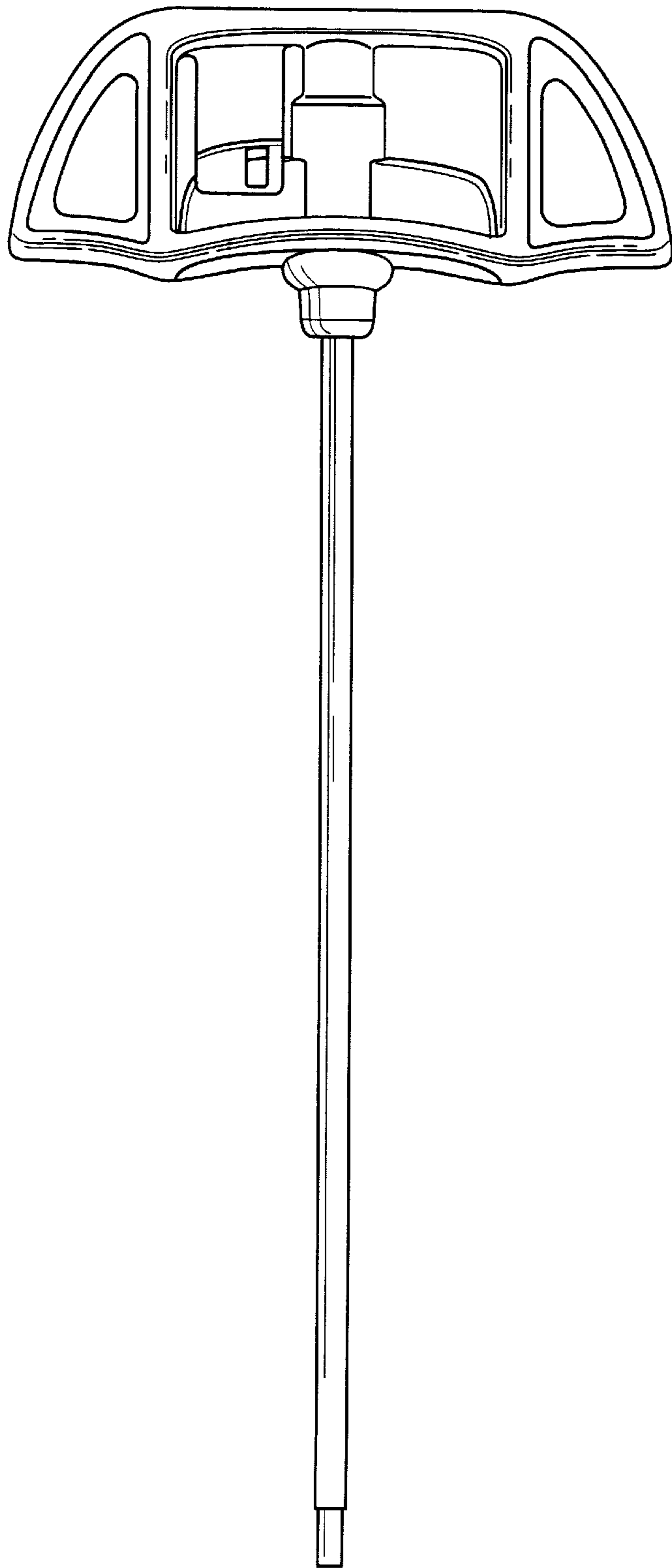


Fig. 2

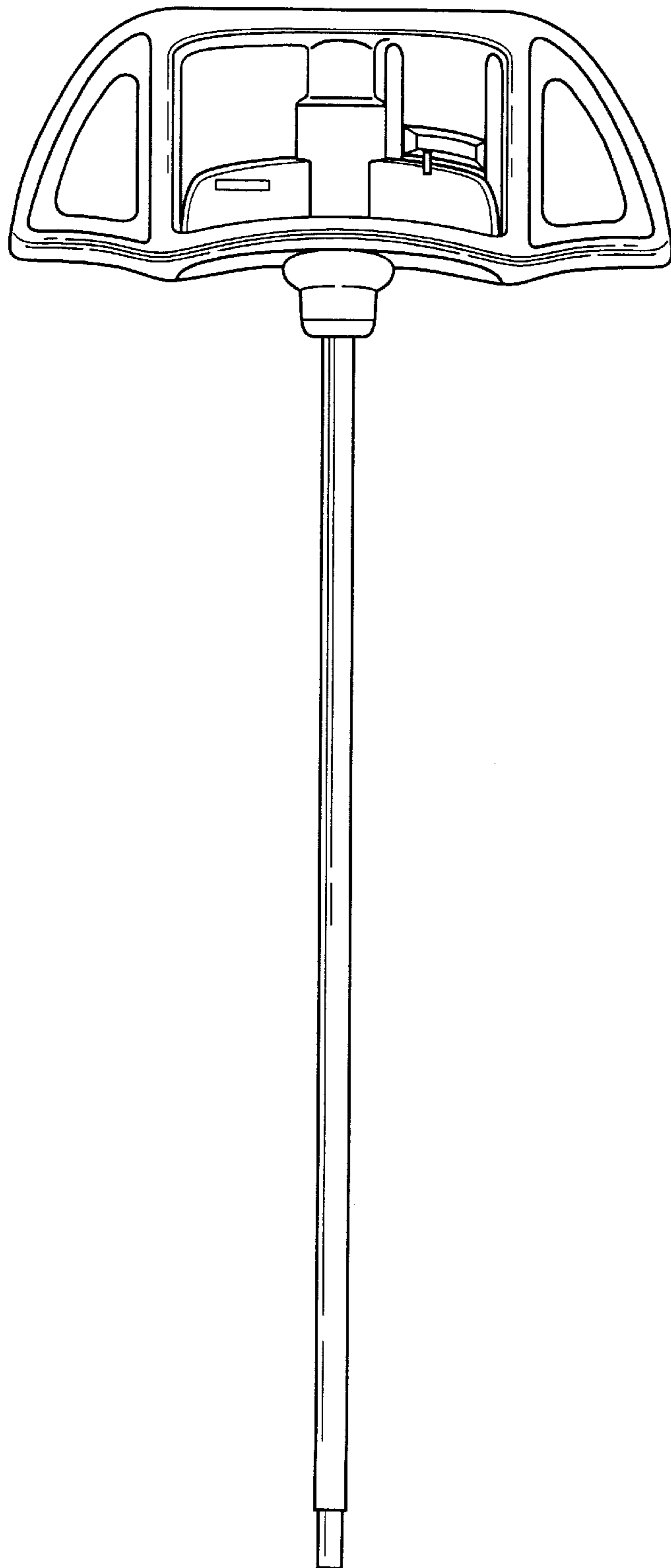


Fig. 3

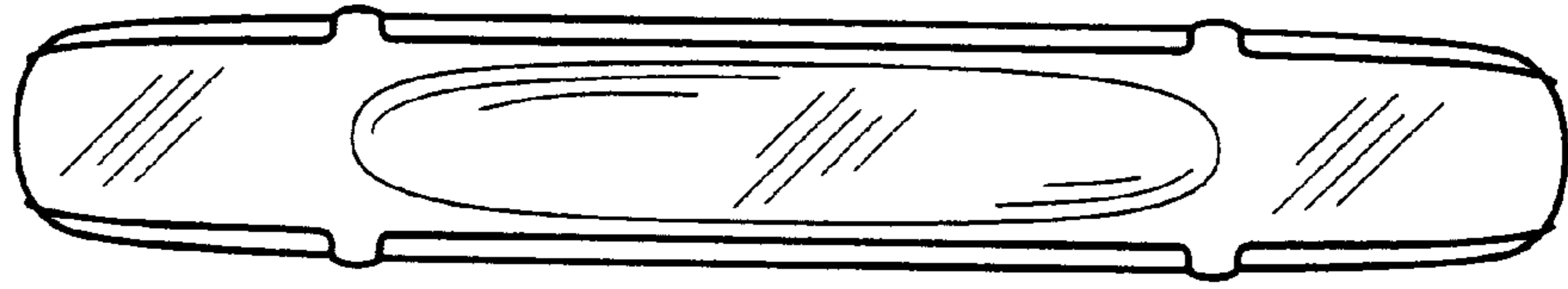


Fig. 4

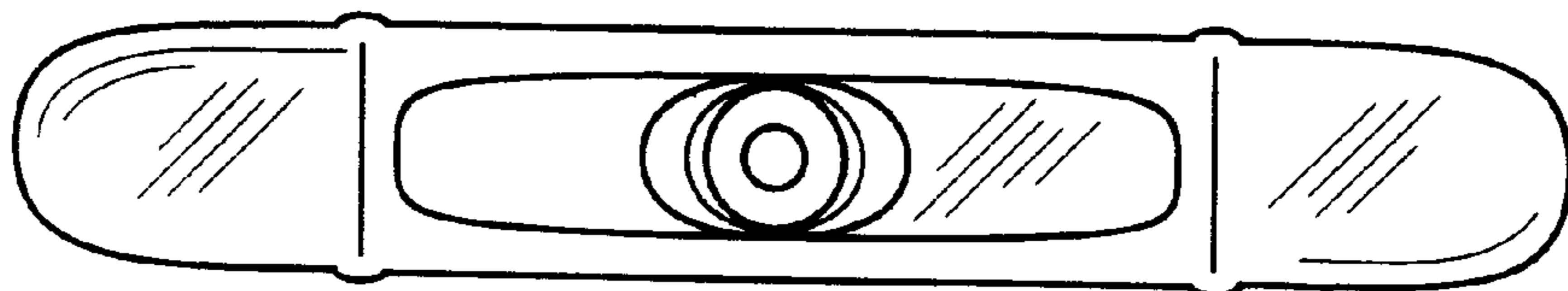


Fig. 5

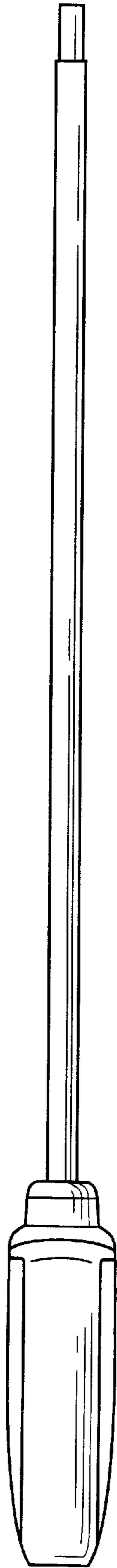


Fig. 6