



US00D449687B1

(12) **United States Design Patent**
Hommann et al.

(10) **Patent No.:** **US D449,687 S**

(45) **Date of Patent:** **** Oct. 23, 2001**

(54) **NEEDLE SHIELD FOR AN INJECTION DEVICE**
(75) Inventors: **Edgar Hommann**, Grossaffoltern;
Peter Hostettler, Erisgen, both of (CH)
(73) Assignee: **Disetronic Licensing AG**, Burgdorf (CH)

(**) Term: **14 Years**

(21) Appl. No.: **29/128,932**

(22) Filed: **Aug. 31, 2000**

(51) **LOC (7) Cl.** **24-02**

(52) **U.S. Cl.** **D24/130**

(58) **Field of Search** D24/130, 113,
D24/114, 112; 604/192, 198, 263, 110,
264, 161, 162

(56) **References Cited**

U.S. PATENT DOCUMENTS

2,664,086	12/1953	Transue	128/218
3,605,744	9/1971	Dwyer	128/218 F
4,445,510	5/1984	Rigby	128/329 R
4,723,943	* 2/1988	Spencer	604/198
4,795,443	1/1989	Permenter et al.	604/198
4,946,446	8/1990	Vadher	604/198
4,994,045	* 2/1991	Ranford	604/198
5,024,660	* 6/1991	McNaughton	604/110
5,147,326	* 9/1992	Talonn et al.	604/198
5,279,579	1/1994	D'Amico	604/192
5,292,314	3/1994	D'Alessio et al.	604/198
5,295,976	3/1994	Harris	604/211
5,417,662	5/1995	Hjertman et al.	604/117
5,472,430	12/1995	Vaillancourt et al.	604/198
5,527,294	6/1996	Weatherford et al.	604/198
5,549,558	8/1996	Martin	604/110
5,591,138	1/1997	Vaillancourt	604/263
5,609,577	3/1997	Haber et al.	604/110
5,643,214	7/1997	Marshall et al.	604/134
5,647,849	* 7/1997	Kalin	604/111
5,658,259	8/1997	Pearson et al.	604/232
5,674,204	10/1997	Chanoch	604/211
5,709,659	1/1998	Bennwik et al.	604/110
5,725,508	3/1998	Chanoch et al.	604/207
5,779,677	7/1998	Frezza	604/134

5,807,346	8/1998	Frezza	604/208
5,851,196	* 12/1998	Arnett	604/110
5,873,856	2/1999	Hjertman et al.	604/117
5,957,897	9/1999	Jeffrey	604/223
6,017,329	* 1/2000	Hake	604/198
6,042,571	3/2000	Hjertman et al.	604/208

FOREIGN PATENT DOCUMENTS

4013769	10/1991	(DE)	.
4223958	1/1993	(DE)	.
0327910	8/1989	(EP)	.
0373321	6/1990	(EP)	.
0298067	10/1991	(EP)	.
0496141	7/1992	(EP)	.
0498737	8/1992	(EP)	.
0516473	12/1992	(EP)	.
0730876	9/1996	(EP)	.
2700960	8/1994	(FR)	.
WO 9110460	7/1991	(WO)	.
WO 9305835	4/1993	(WO)	.
WO 9409841	5/1994	(WO)	.

* cited by examiner

Primary Examiner—Ian Simmons

(74) *Attorney, Agent, or Firm*—Dorsey & Whitney LLP

(57) **CLAIM**

The ornamental design for a needle shield for an injection device, as shown.

DESCRIPTION

FIG. 1 is a perspective view of a needle shield for an injection device showing our new design.

FIG. 2 is a plan view of the top of the embodiment depicted in FIG. 1.

FIG. 3 is a plan view of the bottom of the embodiment depicted in FIG. 1.

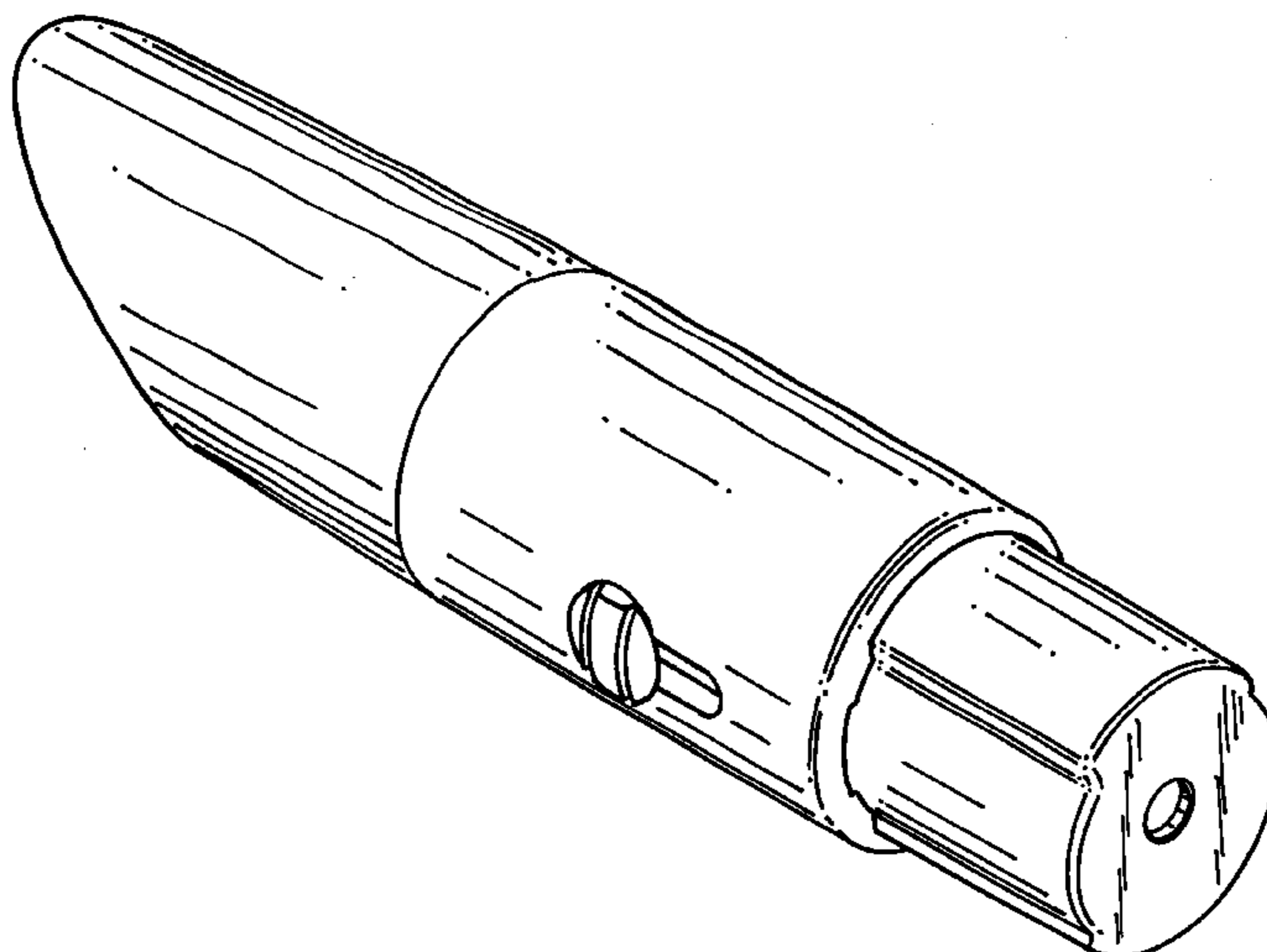
FIG. 4 is an elevational view of one end of the embodiment depicted in FIG. 1.

FIG. 5 is an elevational view of the end opposite the end depicted in FIG. 4.

FIG. 6 is an elevational view of one side of the embodiment depicted in FIG. 1; and,

FIG. 7 is an elevational view of the other side of the embodiment depicted in FIG. 1.

1 Claim, 4 Drawing Sheets



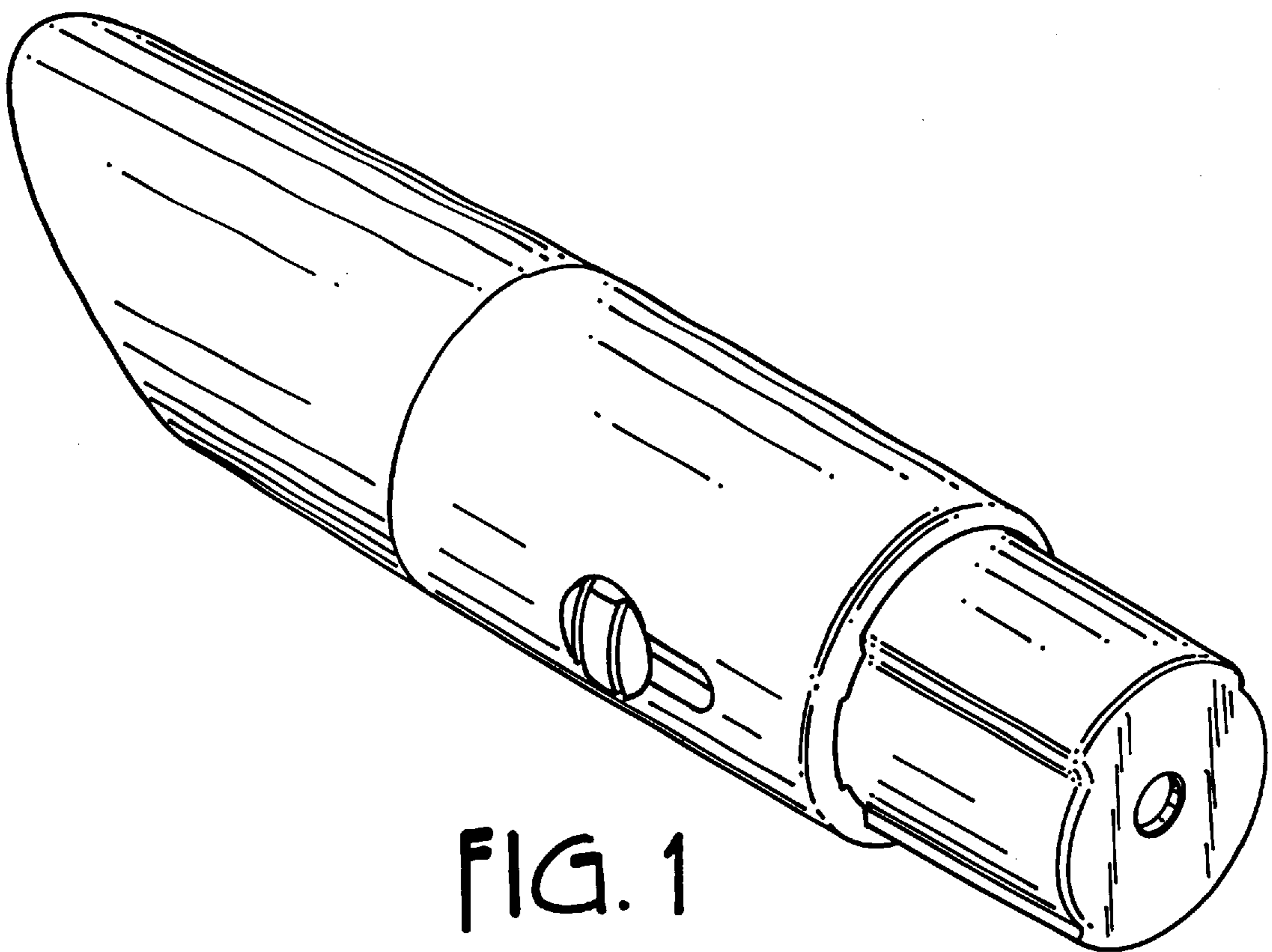


FIG. 1

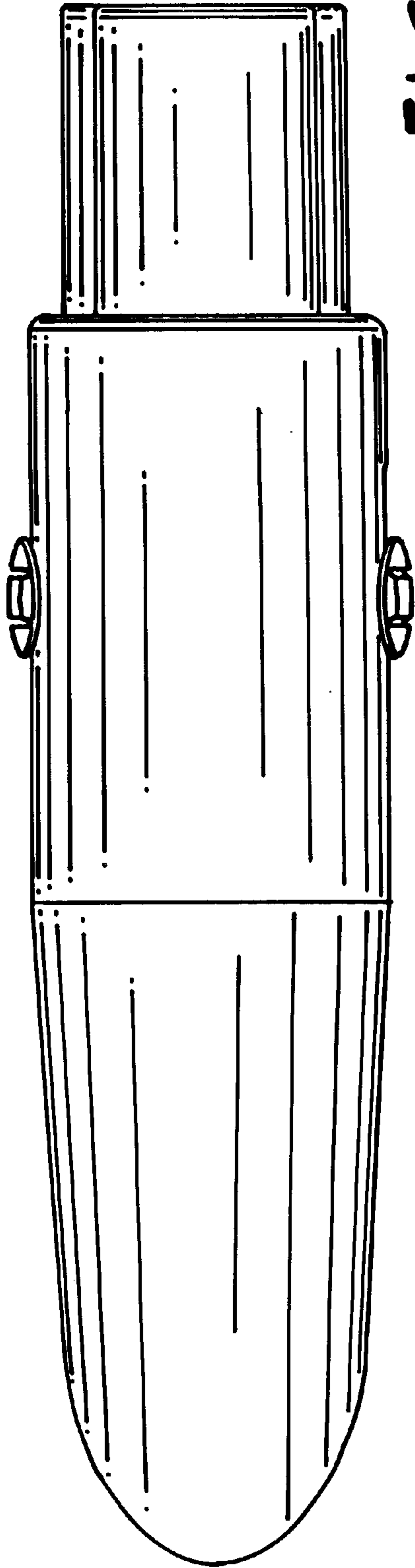


FIG. 2

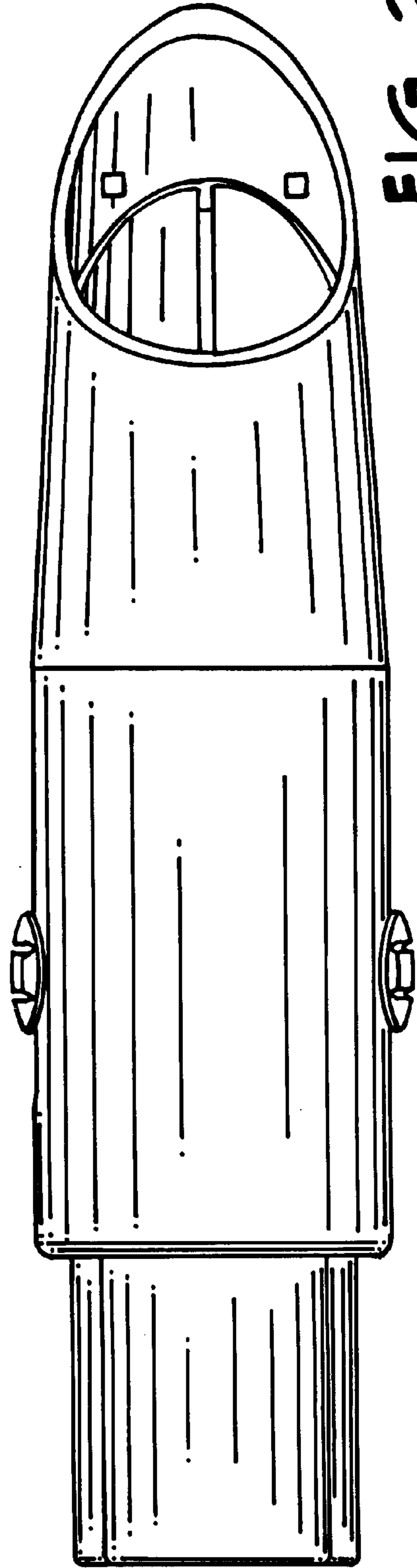


FIG. 3

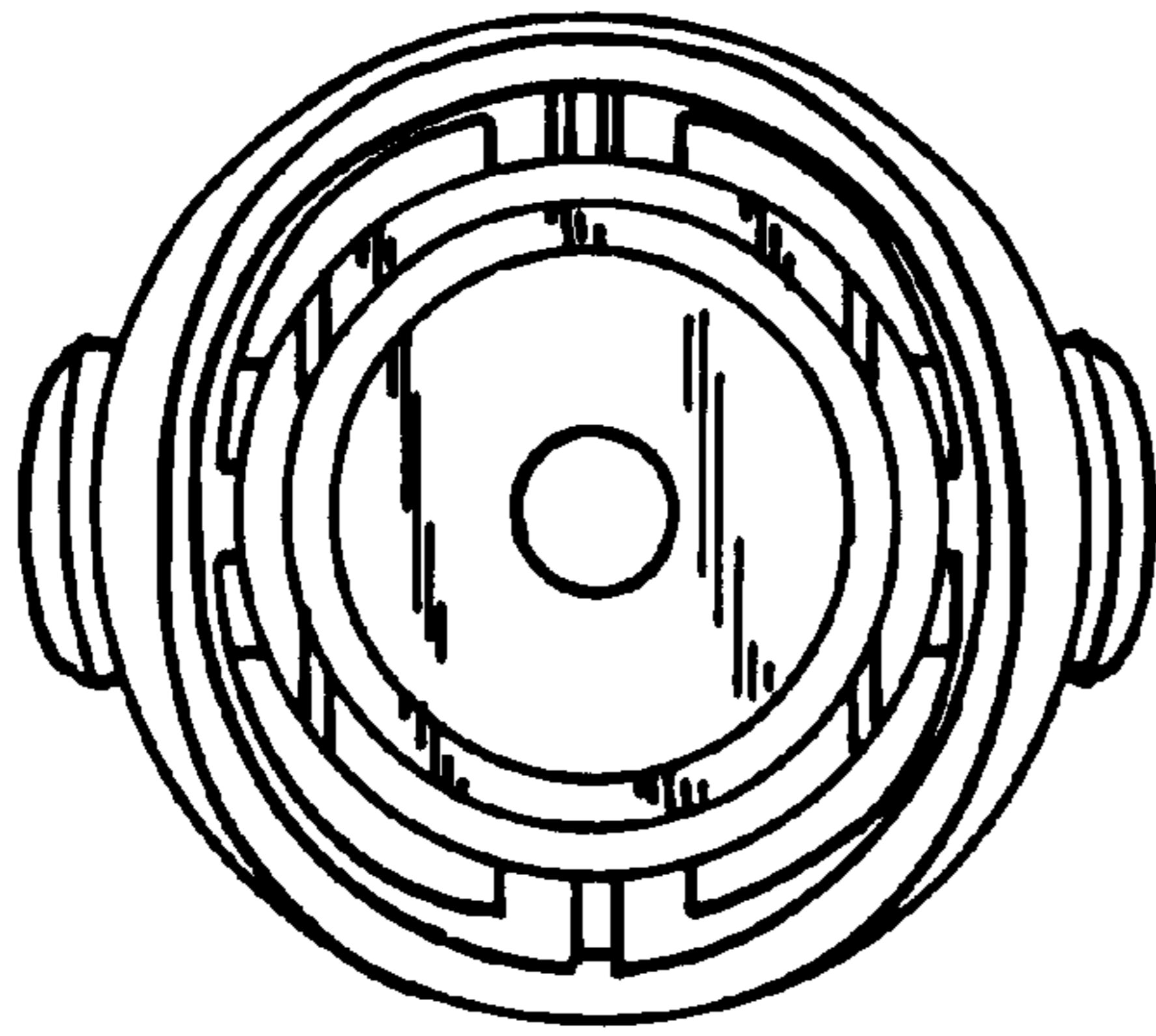


FIG. 4

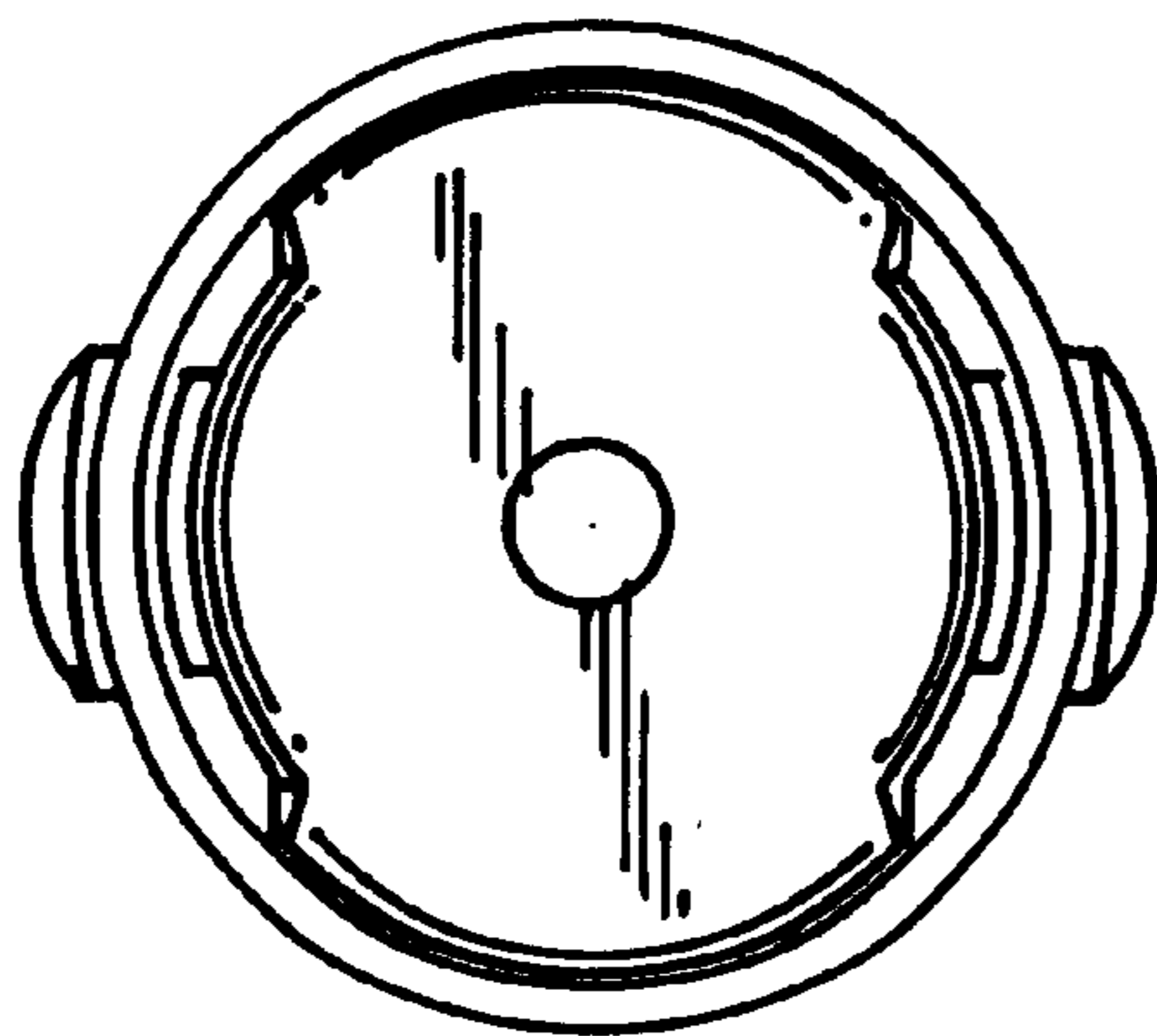


FIG. 5

FIG. 6

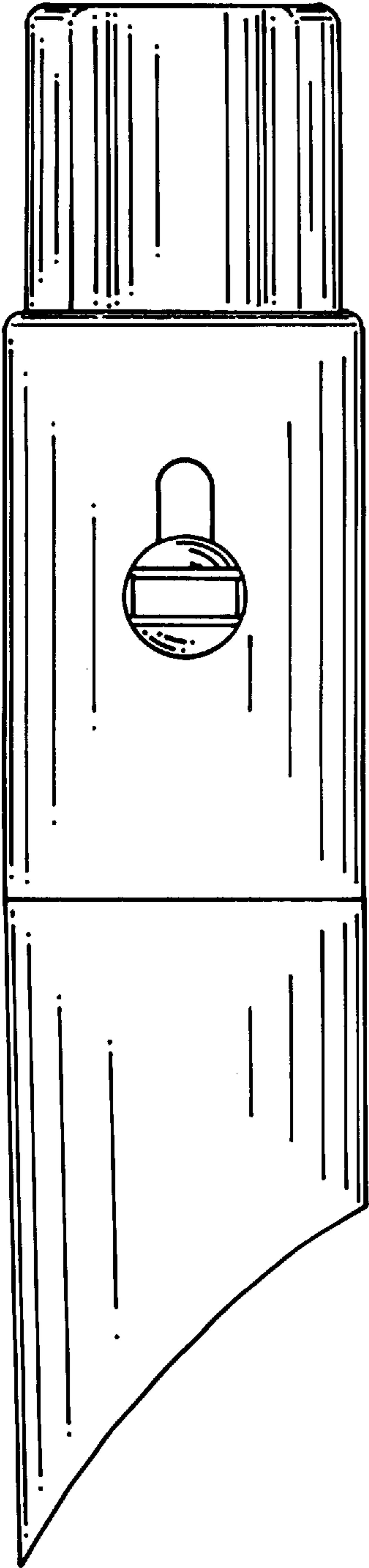


FIG. 7

