



US00D449684B1

(12) **United States Design Patent**
Christrup et al.

(10) **Patent No.:** **US D449,684 S**

(45) **Date of Patent:** **** Oct. 23, 2001**

(54) **INHALER**

(75) Inventors: **Søren Christrup**, Struer; **Anders Geert-Jensen**, Højberg; **Mikal Jørgensen**, Århus; **Jørgen Rasmussen**, Struer; **Hugo Dines Schmidt**, Århus, all of (DK)

(73) Assignee: **AstraZeneca AB**

(**) Term: **14 Years**

(21) Appl. No.: **29/130,006**

(22) Filed: **Sep. 25, 2000**

(30) **Foreign Application Priority Data**

Mar. 24, 2000 (SE) 00-0585

(51) **LOC (7) Cl.** **29-02**

(52) **U.S. Cl.** **D24/110**

(58) **Field of Search** D24/110; 128/200.23, 128/203.15, 200.14, 202.22, 205.23, 203.12, 203.23

(56) **References Cited**

U.S. PATENT DOCUMENTS

D. 348,929 * 7/1994 Paton D24/110

5,755,218 * 5/1998 Johansson et al. 128/200.14

5,899,200 * 5/1999 McNary 128/200.14

* cited by examiner

Primary Examiner—Ian Simmons

(74) *Attorney, Agent, or Firm*—Nixon & Vanderhye

(57) **CLAIM**

The ornamental design for an inhaler, as shown and described.

DESCRIPTION

FIG. 1 is a perspective view of the inhaler with the cover closed.

FIG. 2 shows a bottom elevation of the inhaler with the cover closed.

FIG. 3 shows a rear elevation of the inhaler with the cover closed.

FIG. 4 shows a top elevation of the inhaler with the cover closed.

FIG. 5 shows a side elevation of the inhaler with the cover closed.

FIG. 6 shows a front elevation of the inhaler with the cover closed.

FIG. 7 shows a perspective view of the inhaler with the cover open.

FIG. 8 shows a front elevation of the inhaler with the cover open.

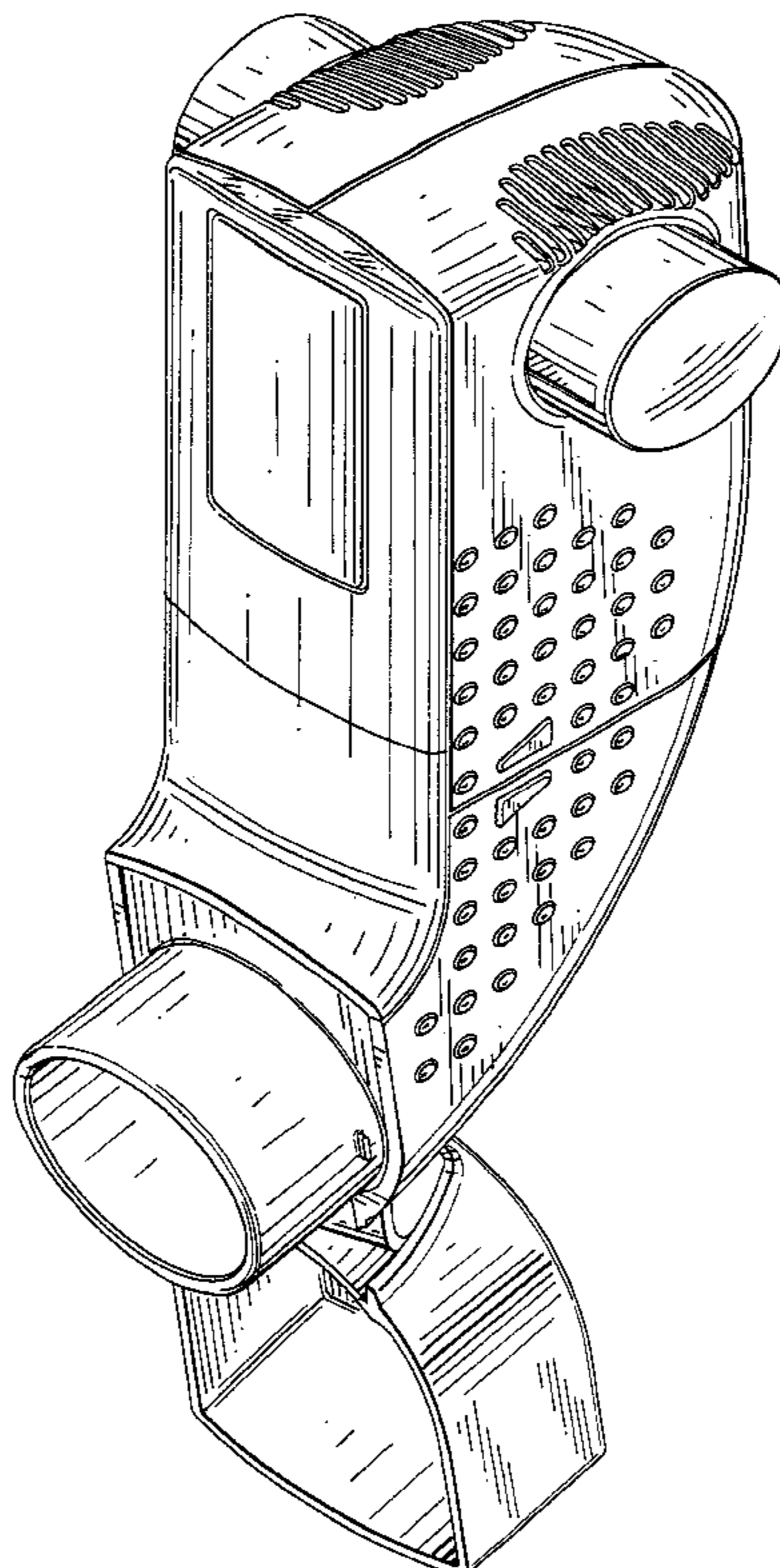
FIG. 9 shows a side elevation of the inhaler with the cover open.

FIG. 10 shows a bottom elevation of the inhaler with the cover open.

FIG. 11 shows a top elevation of the inhaler with the cover open; and,

FIG. 12 shows a rear elevation of the inhaler with the cover open.

1 Claim, 12 Drawing Sheets



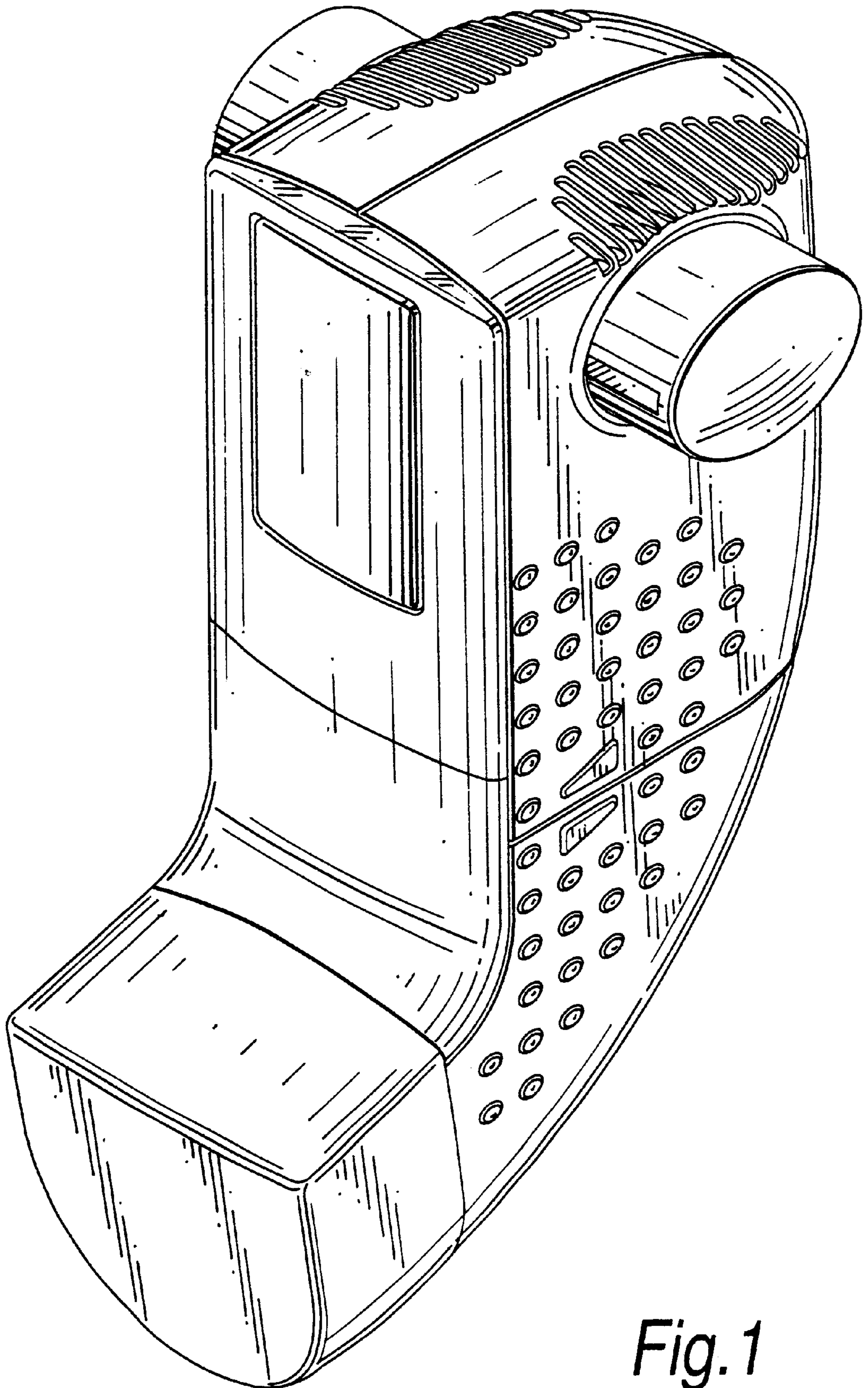


Fig. 1

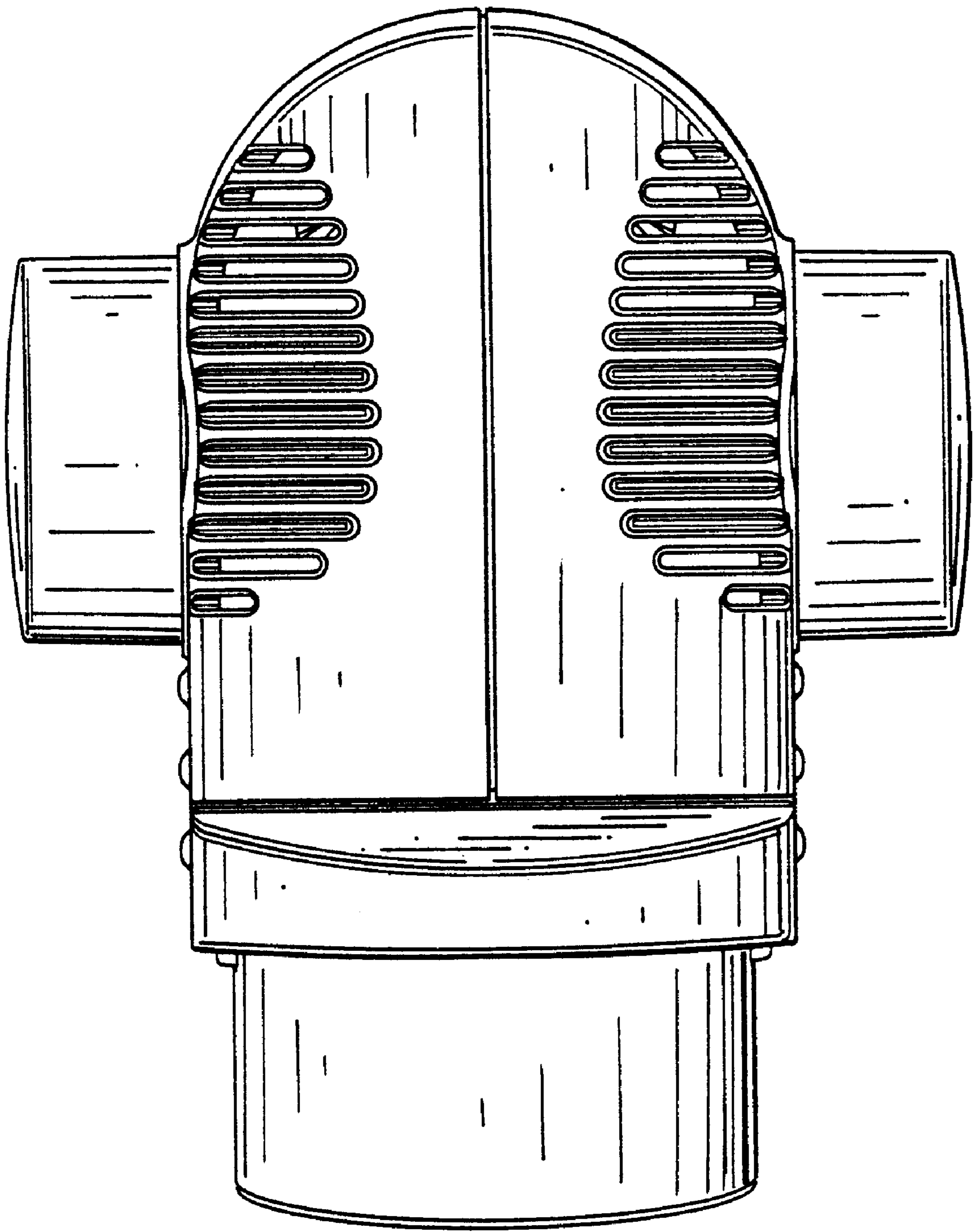


Fig.2

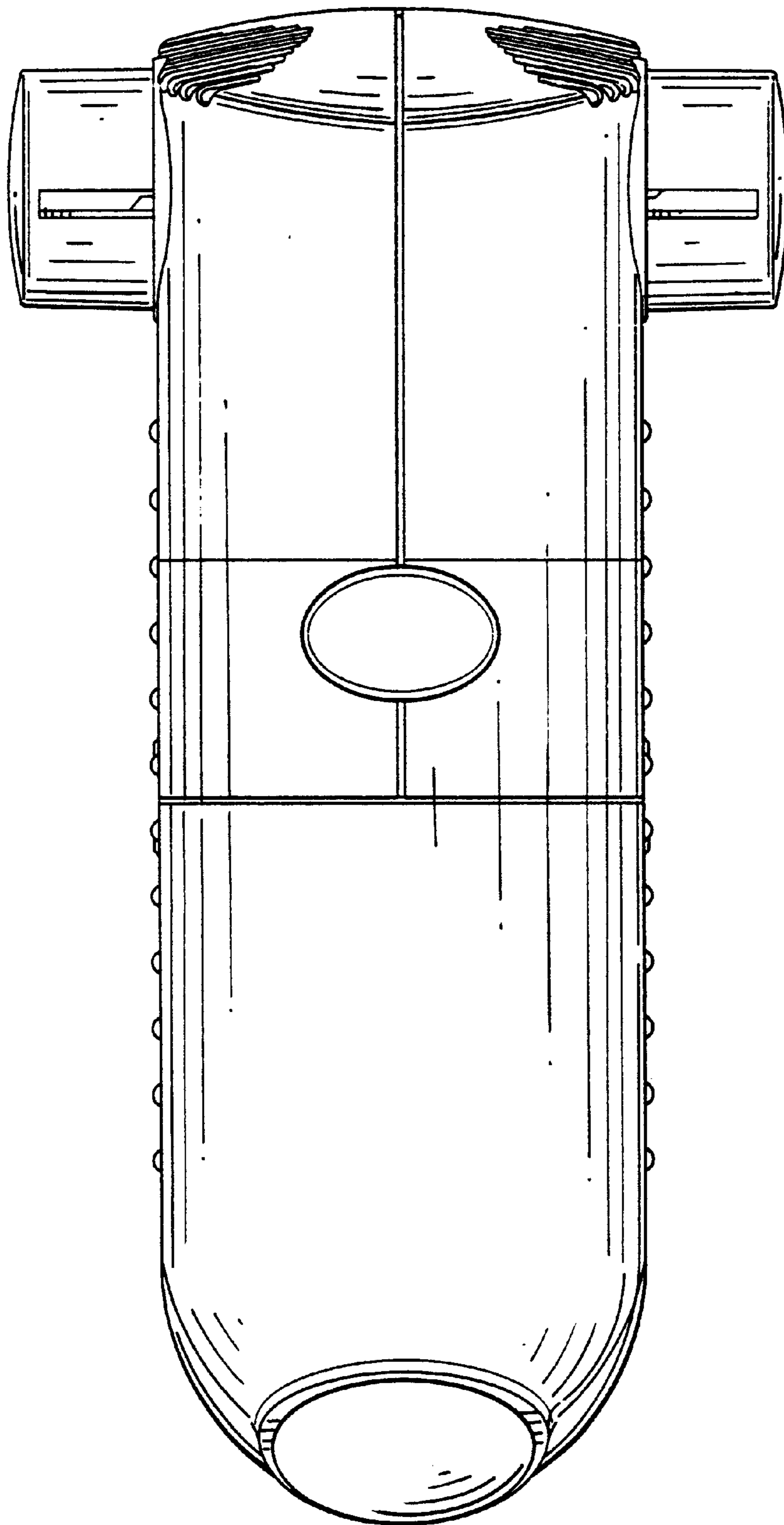


Fig.3

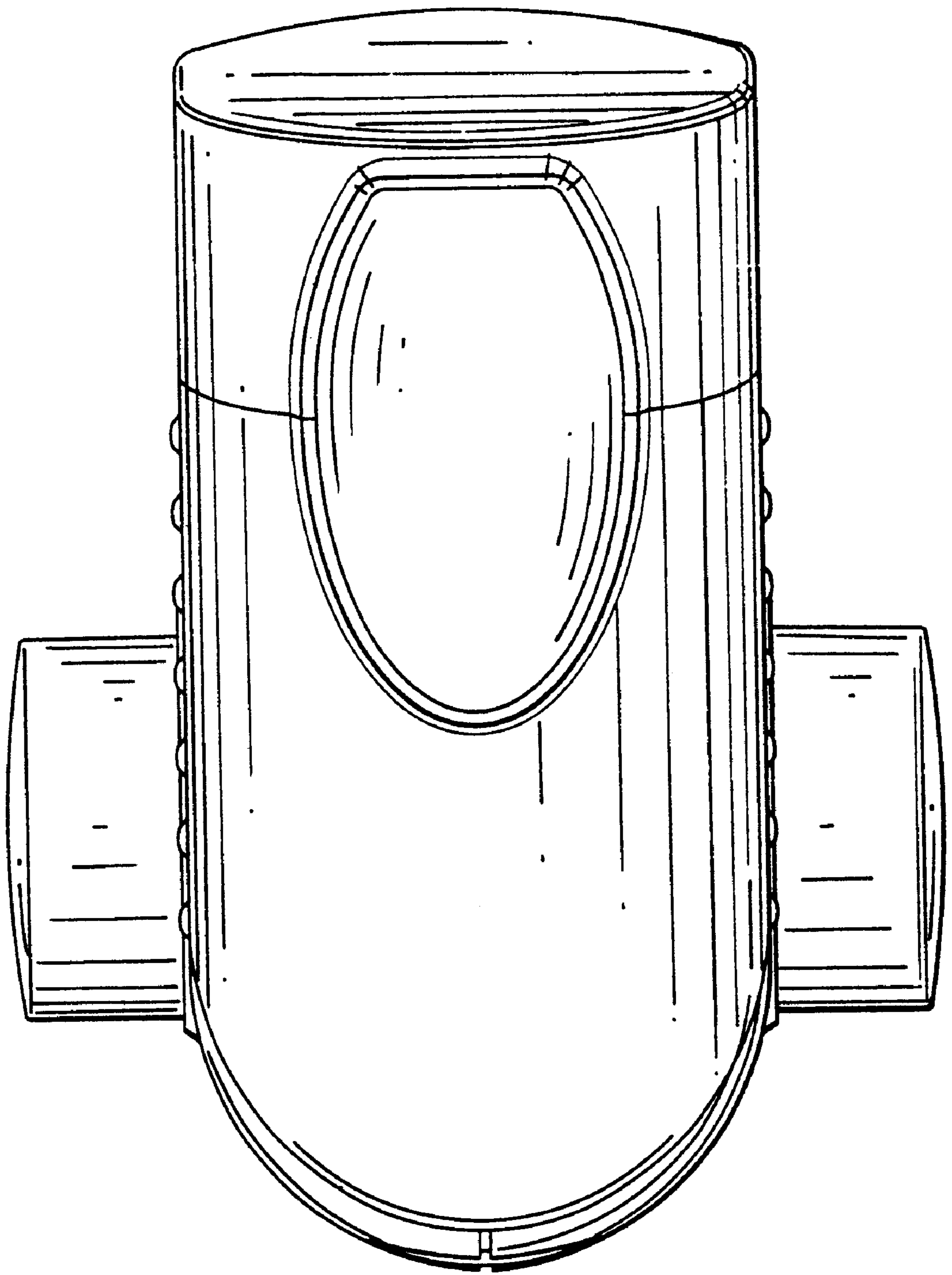


Fig. 4

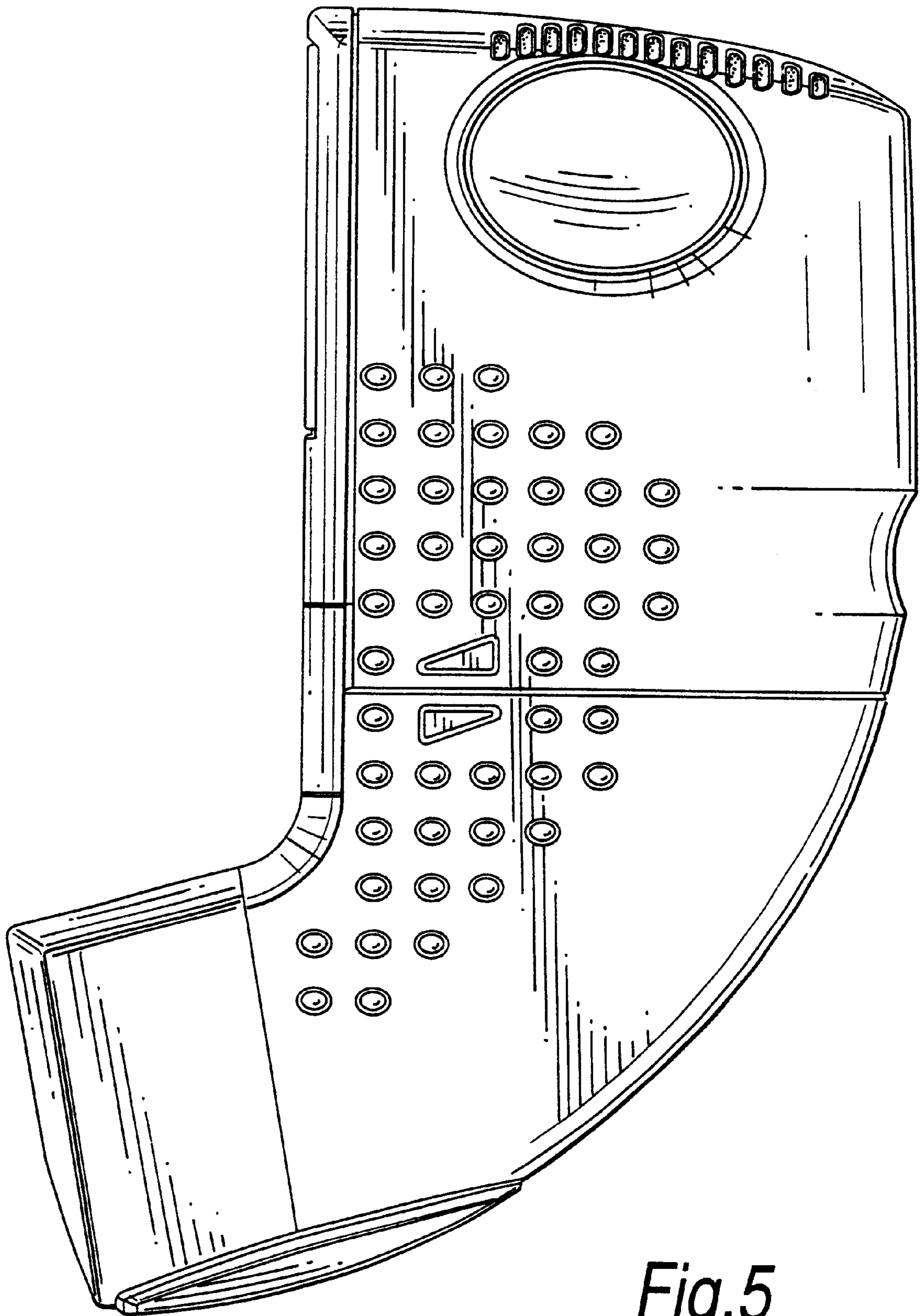


Fig. 5

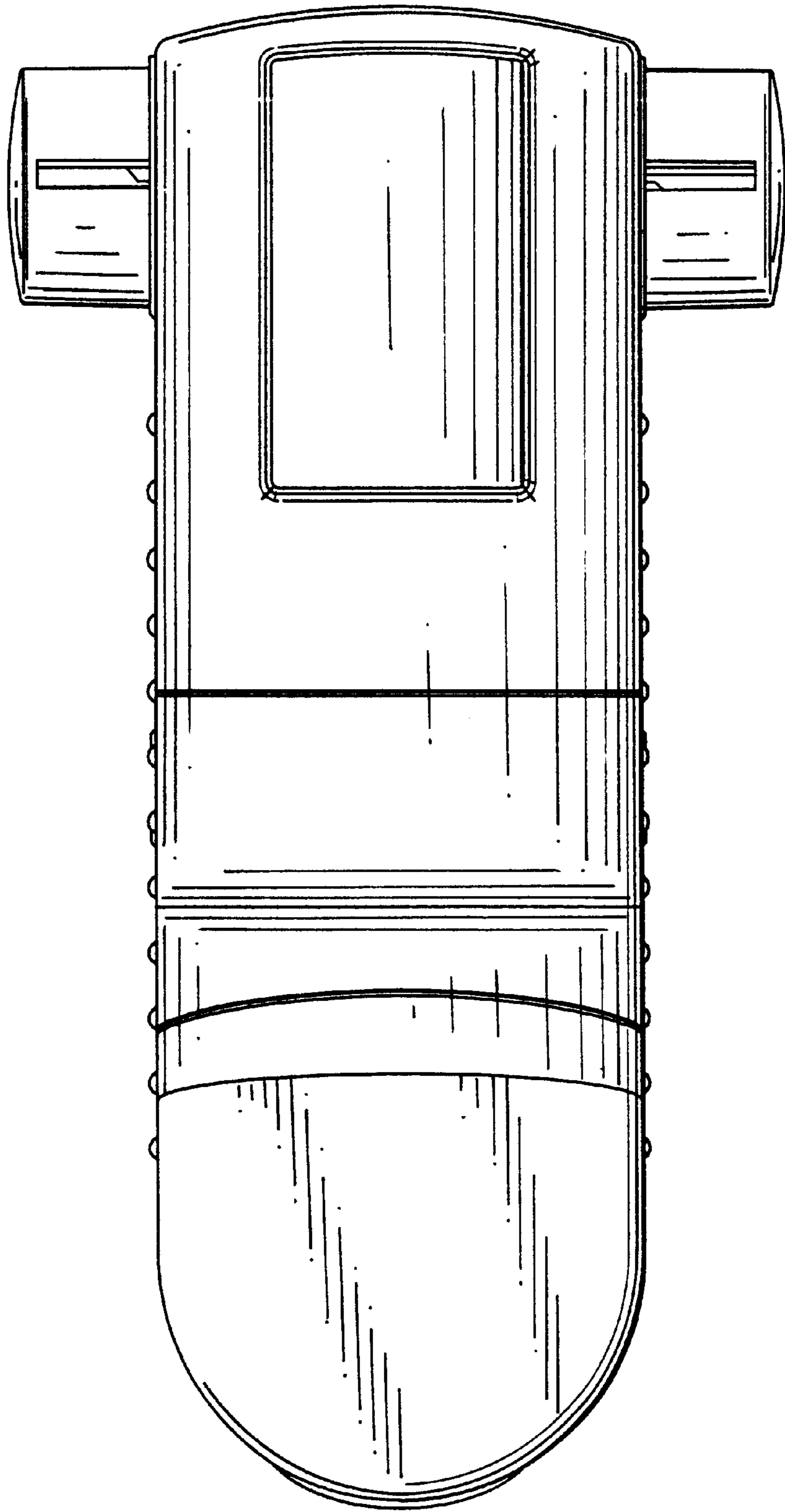


Fig. 6

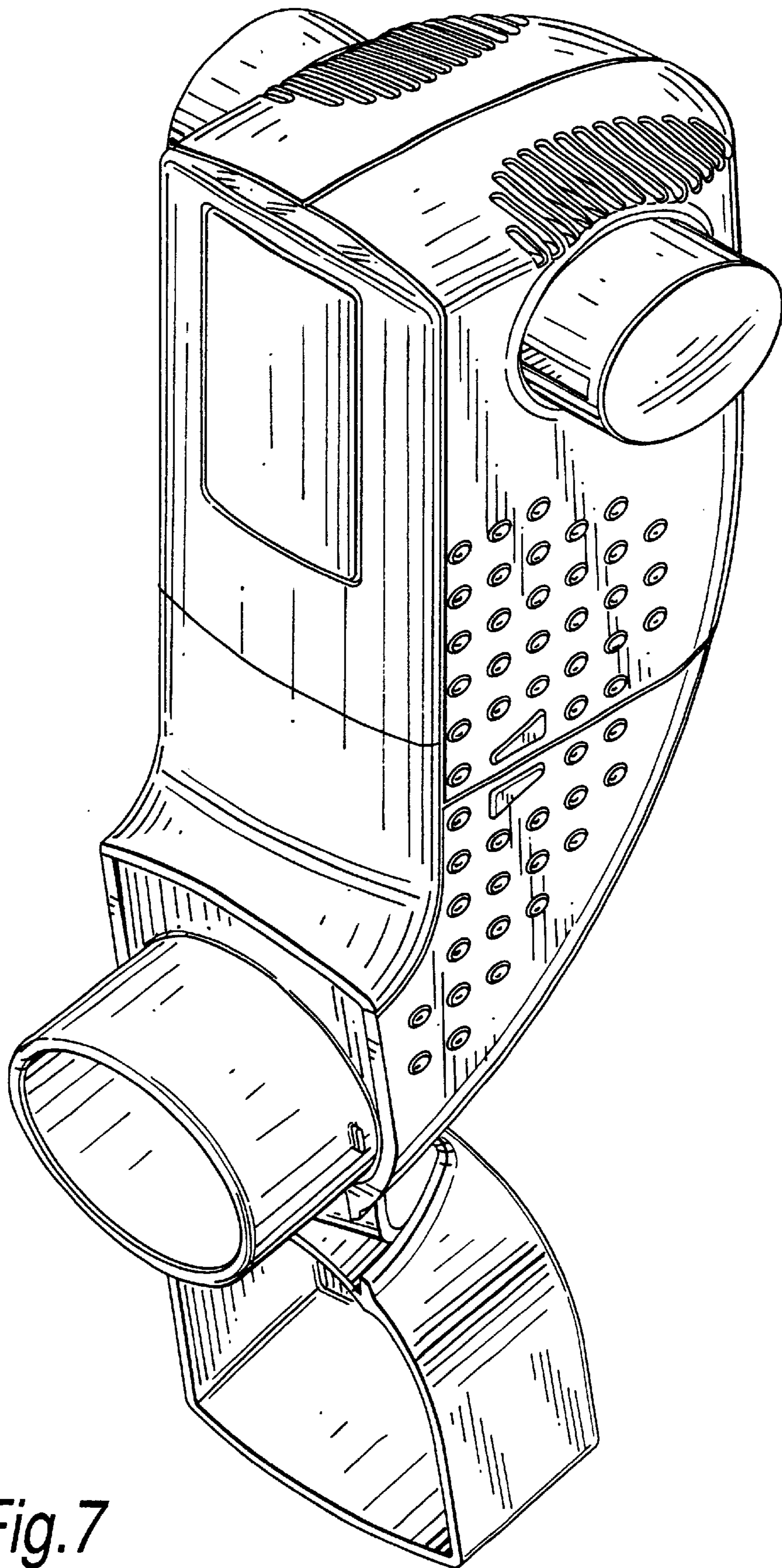


Fig.7

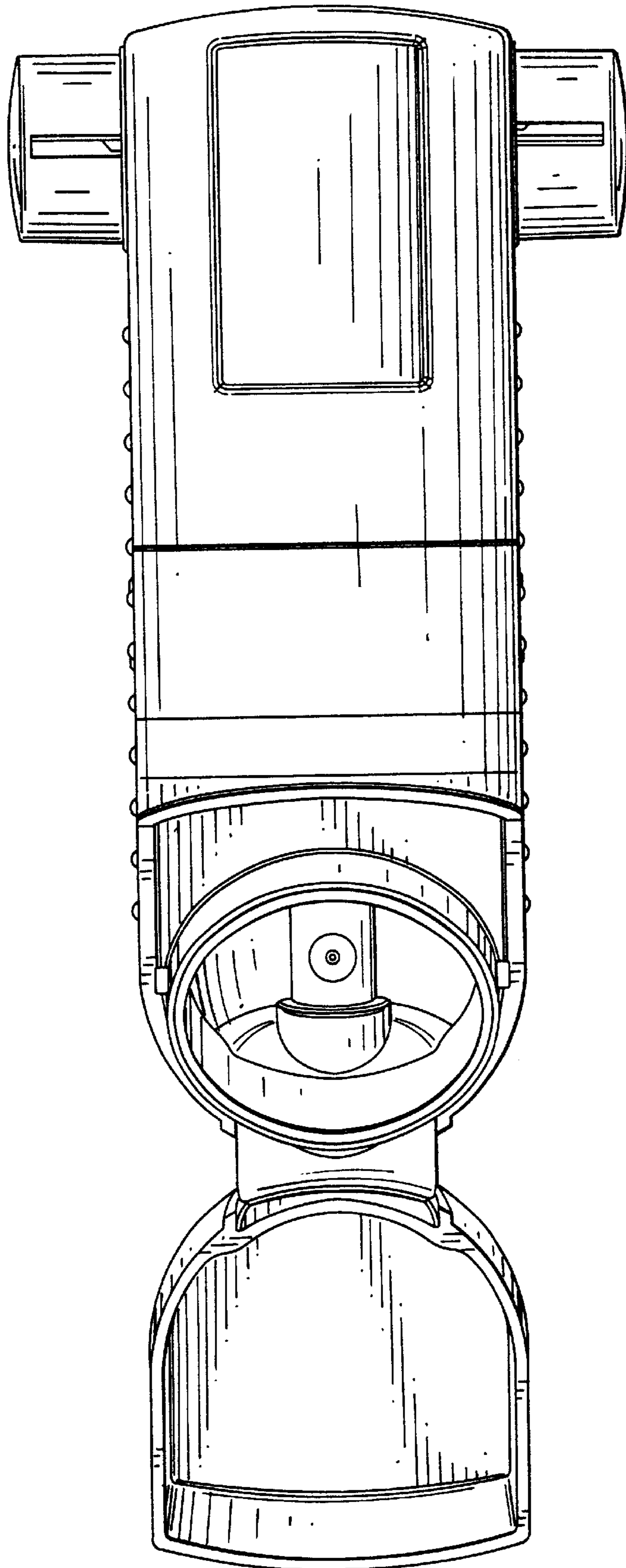


Fig.8

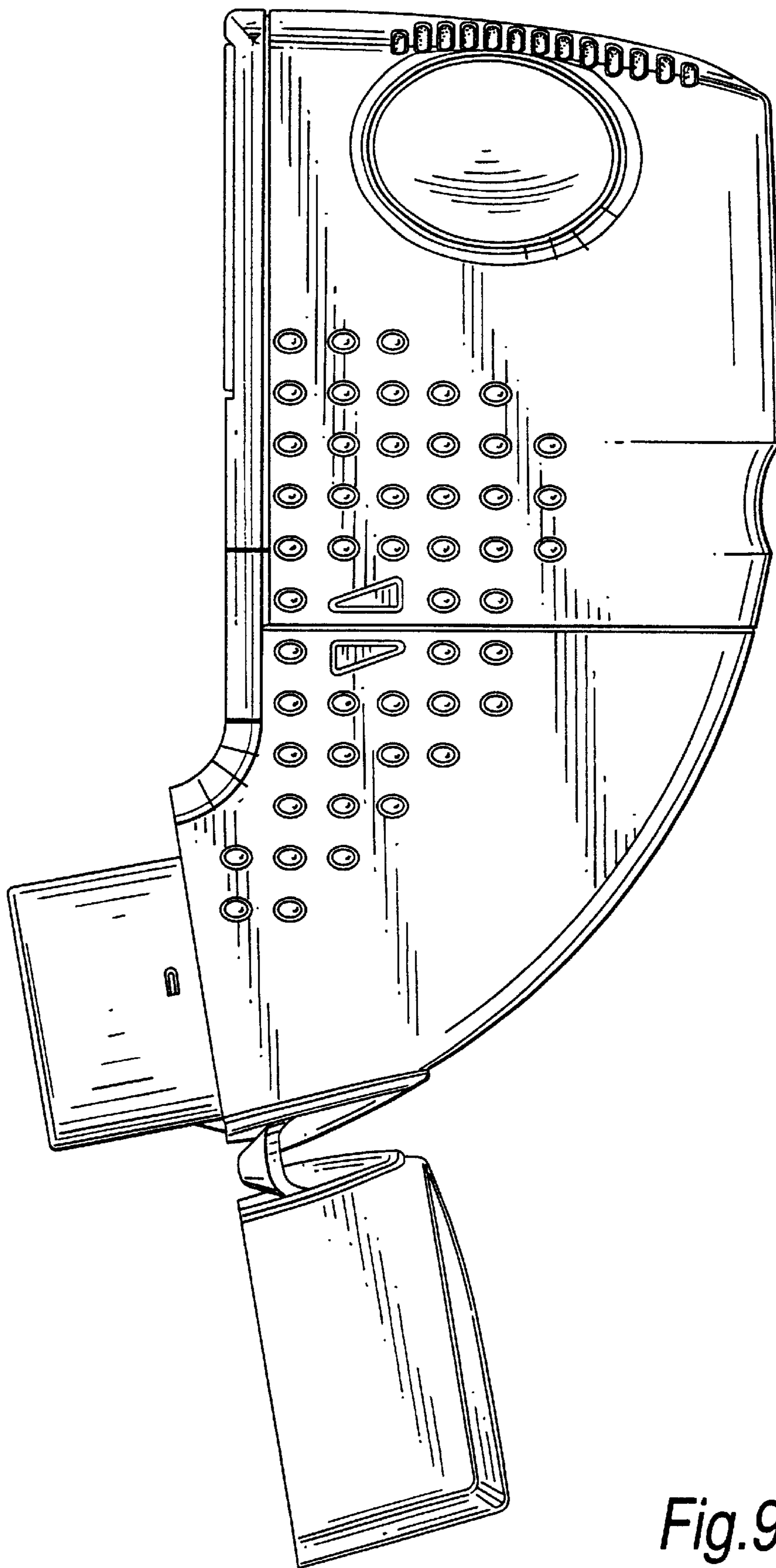


Fig.9

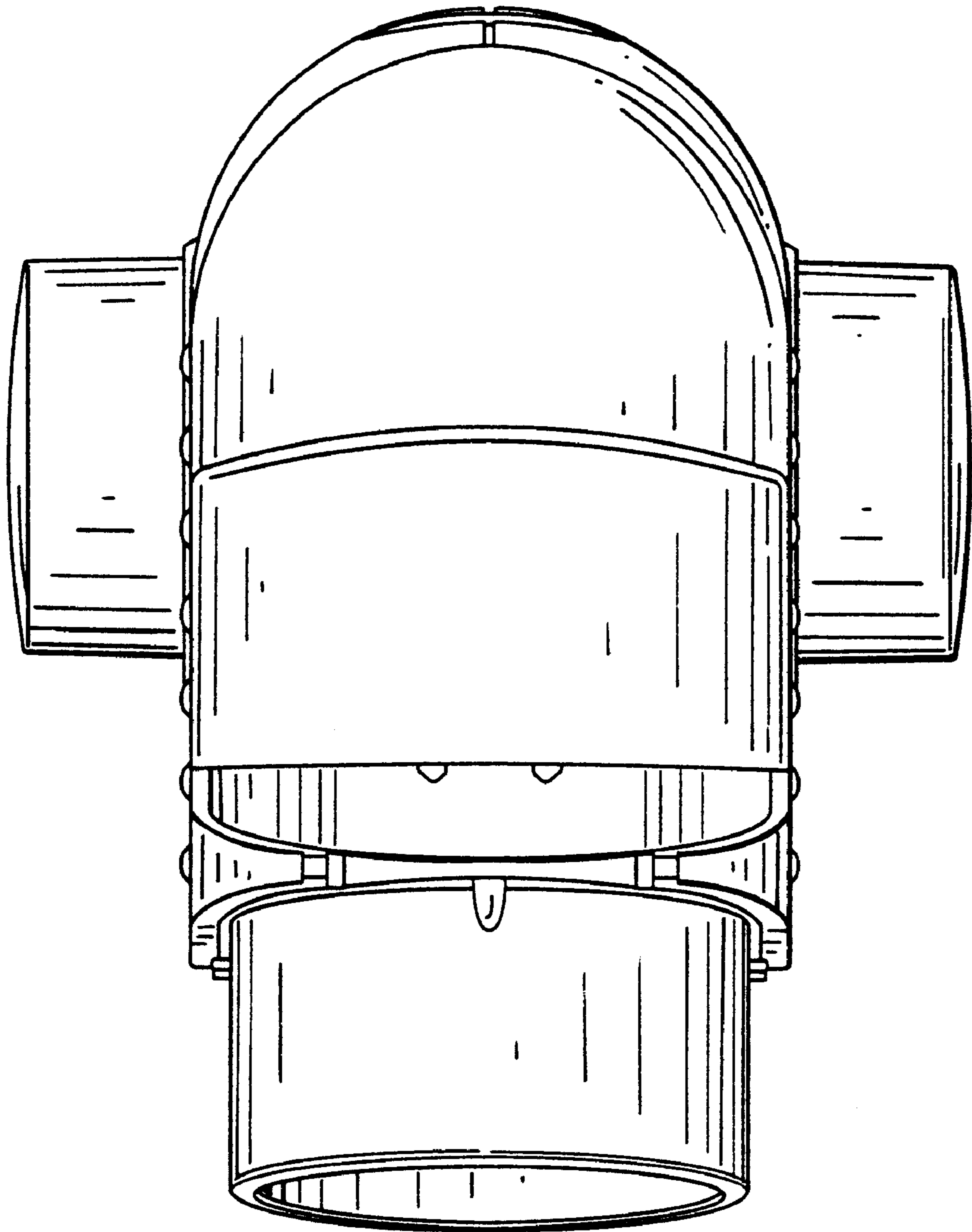


Fig. 10

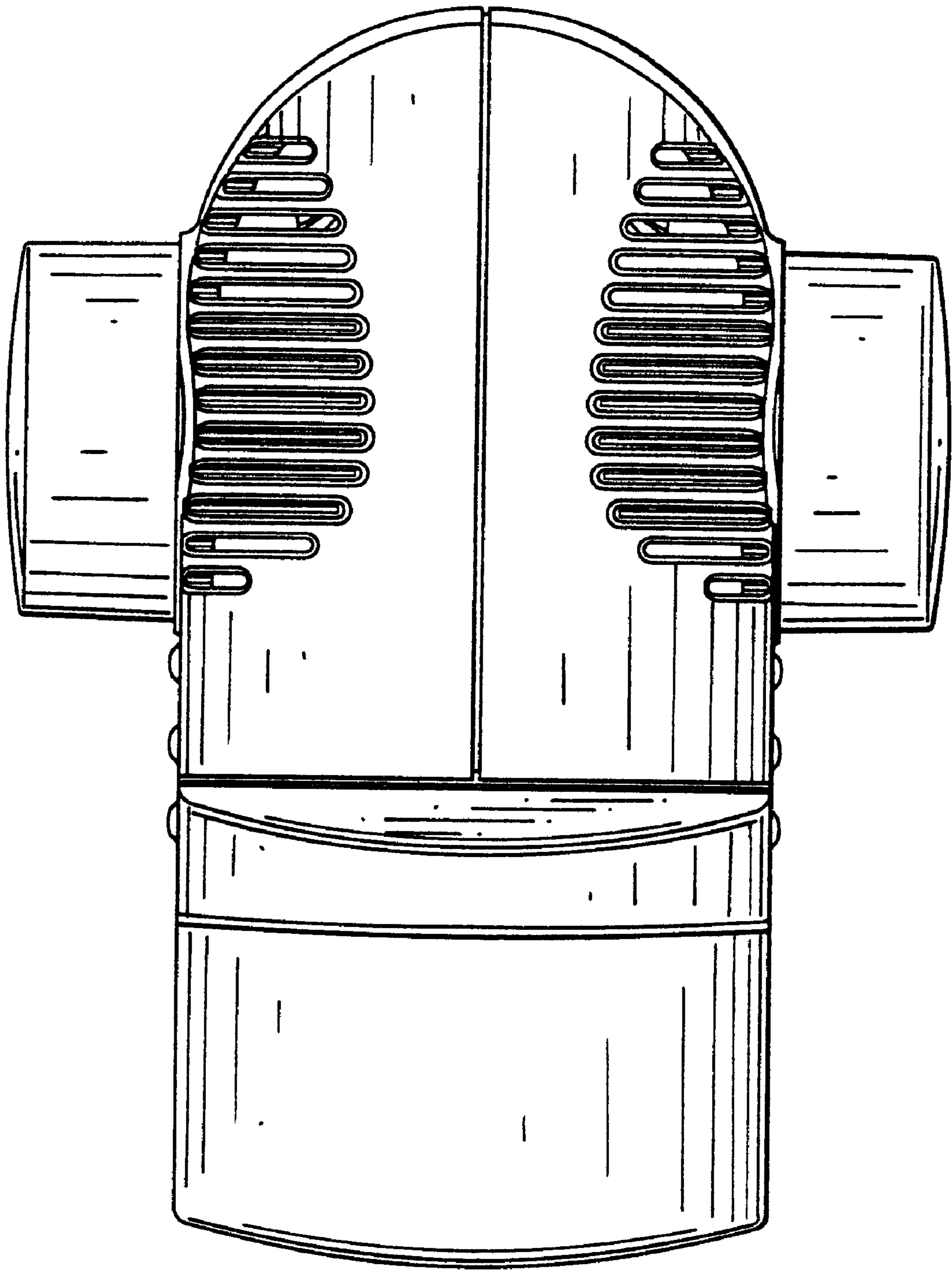


Fig. 11

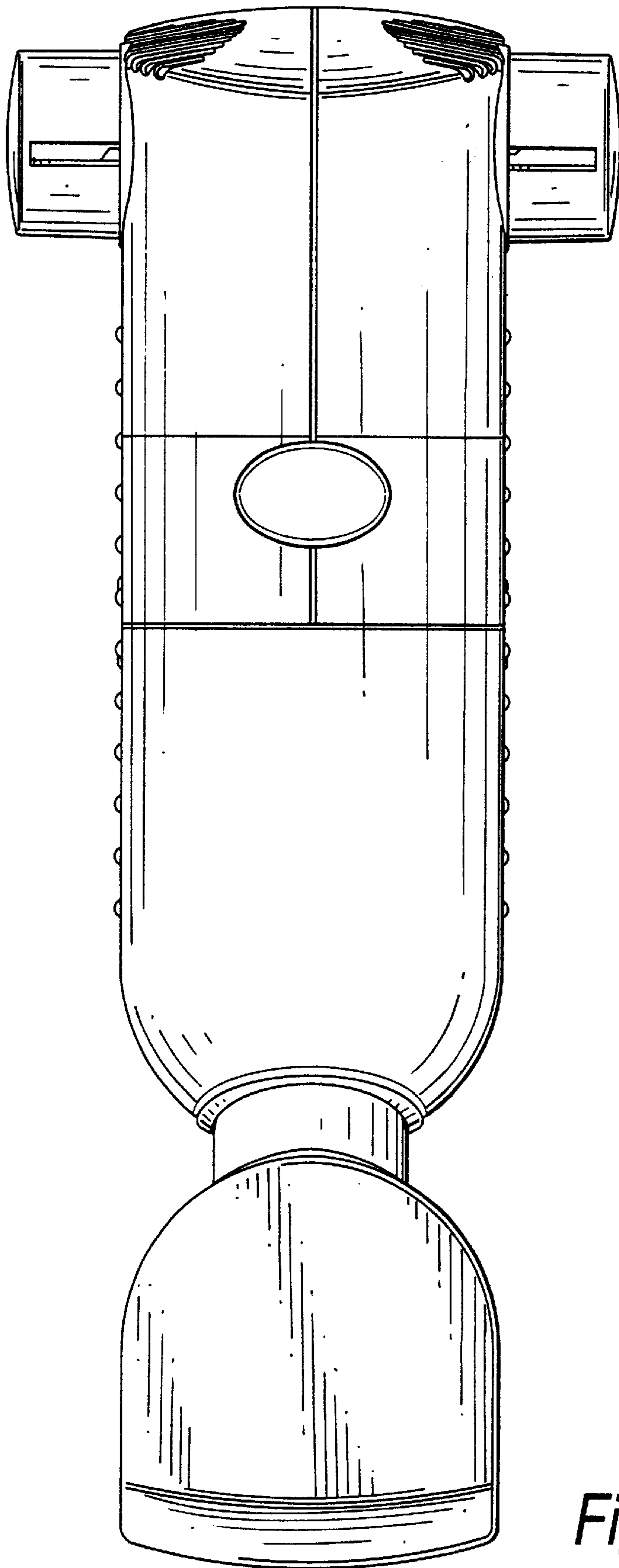


Fig. 12