



US00D449683B1

(12) **United States Design Patent**
Gajewski

(10) **Patent No.:** **US D449,683 S**

(45) **Date of Patent:** **** Oct. 23, 2001**

(54) **BLADE FOR A CEILING FAN**

(57) **CLAIM**

(75) Inventor: **Mark Gajewski**, San Luis Obispo, CA
(US)

The ornamental design for a blade for a ceiling fan, as shown and described.

(73) Assignee: **Minka Lighting, Inc.**, Corona, CA
(US)

DESCRIPTION

(**) Term: **14 Years**

FIG. 1 is a bottom plan view of the blade for a ceiling fan in accordance with my design;

(21) Appl. No.: **29/134,410**

FIG. 2 is an enlarged front view of the blade for a ceiling fan in accordance with my design;

(22) Filed: **Dec. 20, 2000**

FIG. 3 is an enlarged rear view of the blade for a ceiling fan in accordance with my design;

(51) **LOC (7) Cl.** **23-04**

FIG. 4 is an enlarged top plan view of the blade for a ceiling fan in accordance with my design;

(52) **U.S. Cl.** **D23/413**

FIG. 5 is an enlarged bottom plan view of the blade for a ceiling fan in accordance with my design;

(58) **Field of Search** D23/377, 379,
D23/411, 385, 413; 416/5

FIG. 6 is an enlarged left elevation view of the blade for a ceiling fan in accordance with my design; and,

(56) **References Cited**

FIG. 7 is an enlarged right elevation view of the blade for a ceiling fan in accordance with my design.

U.S. PATENT DOCUMENTS

D. 314,427	2/1991	Ignon	D28/377
D. 321,935	11/1991	Ignon	D23/413
D. 335,920 *	5/1993	Jaeger	D23/377

The front and rear, left and right elevational views are symmetrical.

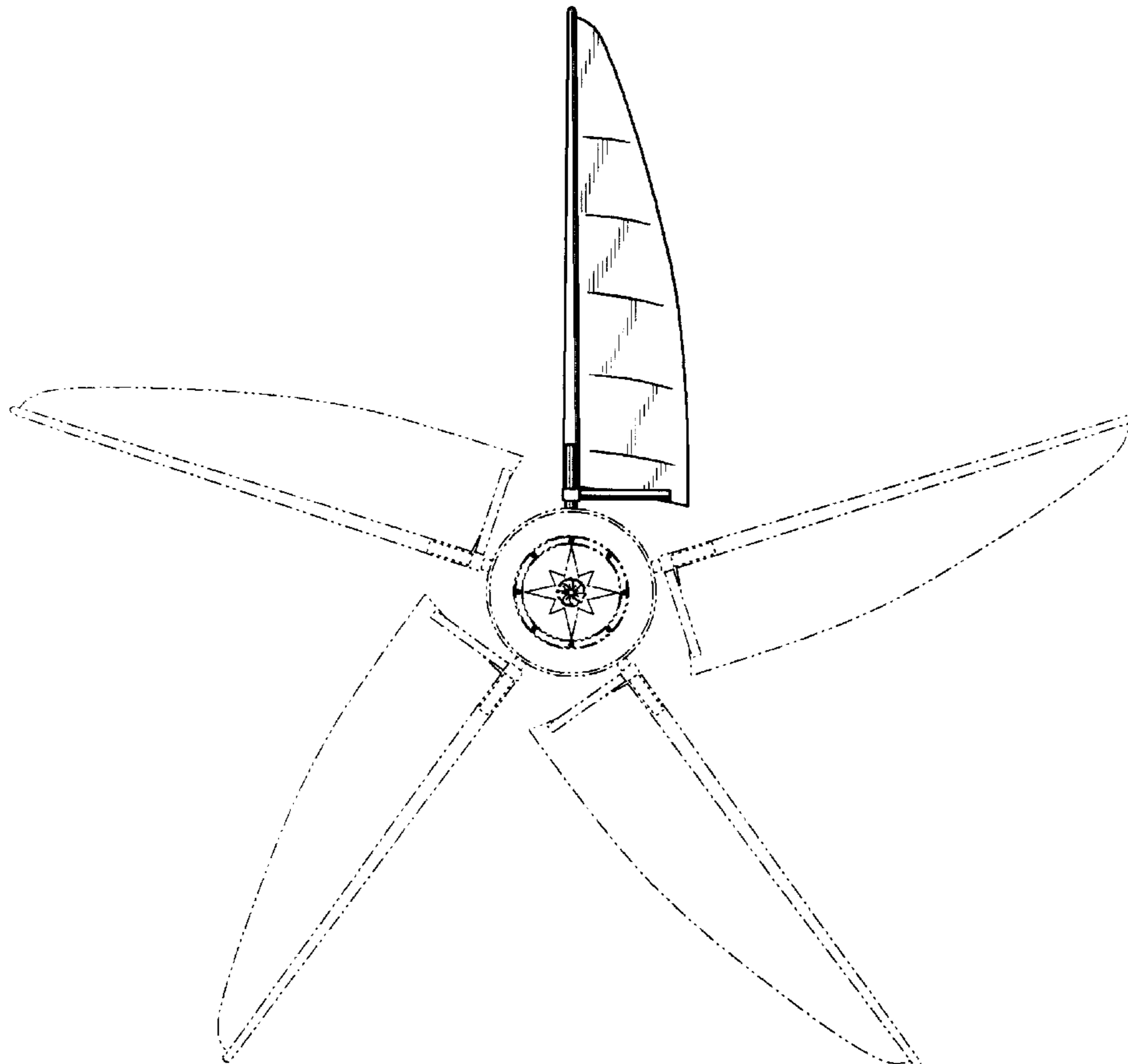
* cited by examiner

The broken line showing of environmental structure in FIG. 1 is for illustrative purposes only and forms no part of the claimed design.

Primary Examiner—Lisa Lichtenstein

(74) *Attorney, Agent, or Firm*—Jenkins & Gilchrist, P.C.

1 Claim, 2 Drawing Sheets



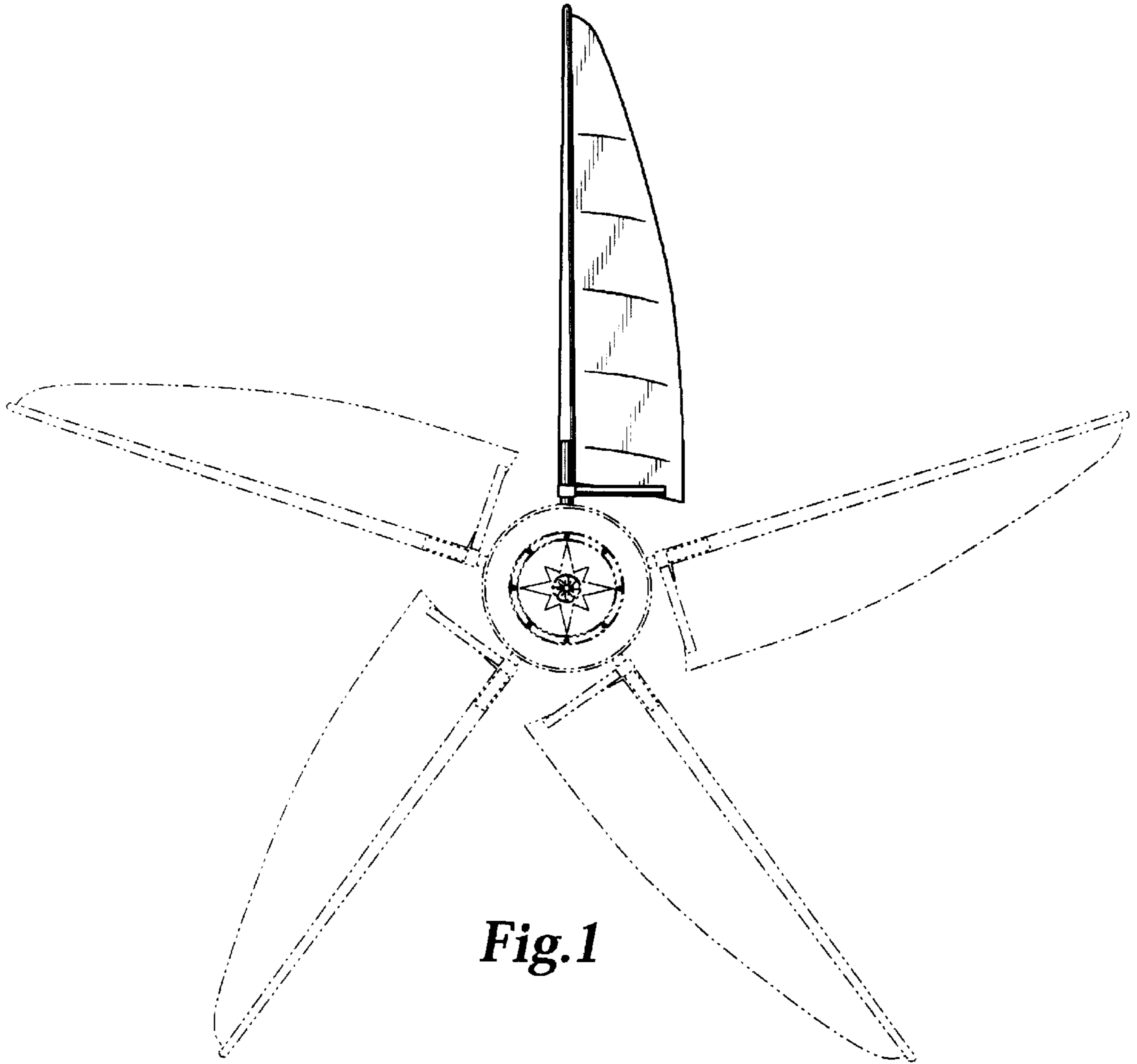


Fig. 1

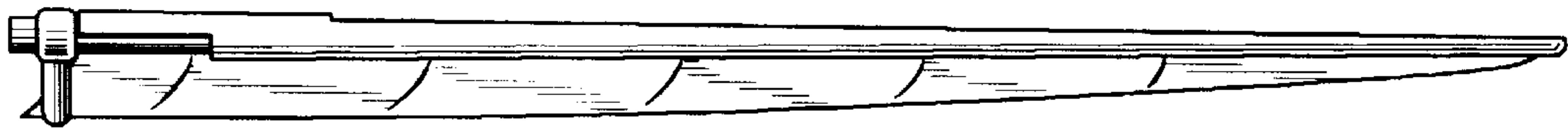


Fig. 2

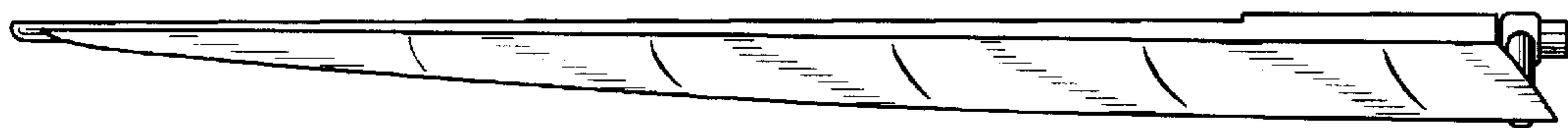


Fig. 3

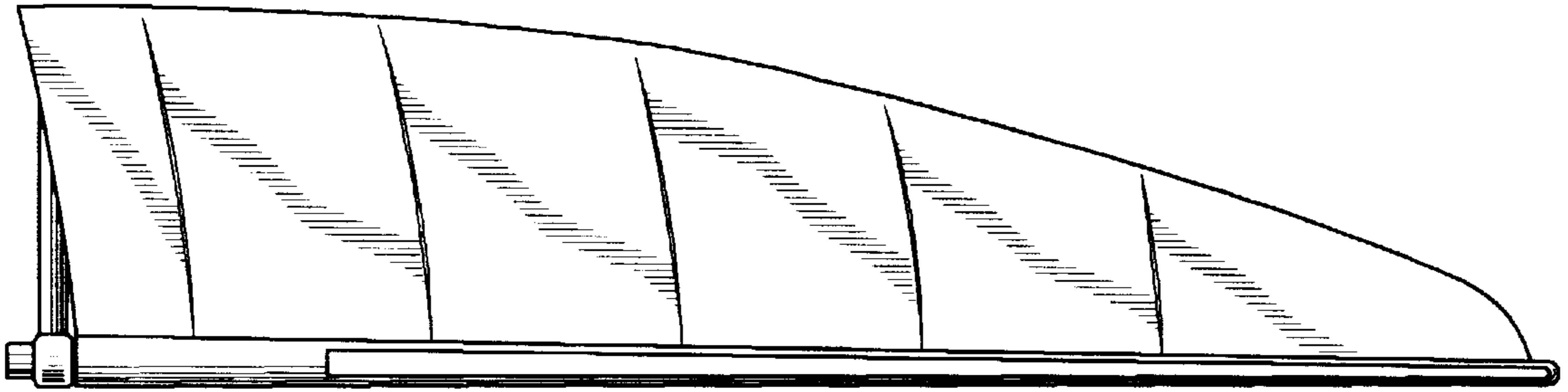


Fig. 4

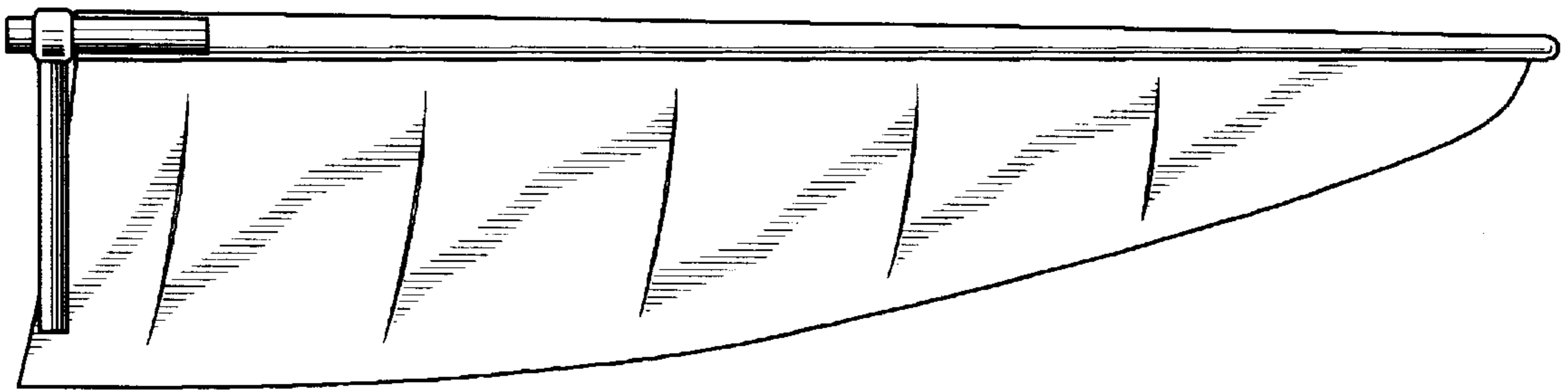


Fig. 5



Fig. 6



Fig. 7