



US00D449682B2

(12) **United States Design Patent**  
**Gajewski**

(10) **Patent No.:** **US D449,682 S**

(45) **Date of Patent:** **\*\* Oct. 23, 2001**

(54) **COMBINED CEILING FAN HOUSING AND LIGHT FIXTURE UNIT**

*Primary Examiner*—Lisa Lichtenstein

(74) *Attorney, Agent, or Firm*—Jenkins & Gilchrist, P.C.

(75) **Inventor:** **Mark Gajewski**, San Luis Obispo, CA (US)

(57) **CLAIM**

The ornamental design for the combined ceiling fan housing and light fixture unit, as shown and described.

(73) **Assignee:** **Minka Lighting, Inc.**, Corona, CA (US)

(\*\*) **Term:** **14 Years**

**DESCRIPTION**

(21) **Appl. No.:** **29/134,414**

FIG. 1 is a bottom plan view of the combined ceiling fan housing and light fixture in accordance with my design;

(22) **Filed:** **Dec. 20, 2000**

FIG. 2 is an enlarged front view of the combined ceiling fan housing and light fixture unit in accordance with my design;

(51) **LOC (7) Cl.** ..... **23-04**

(52) **U.S. Cl.** ..... **D23/411; D23/377; D23/379**

FIG. 3 is an enlarged top plan view of the combined ceiling fan housing and light fixture in accordance with my design taken along line 3—3 in FIG. 2; and,

(58) **Field of Search** ..... D23/377, 379, D23/385, 411, 413; 416/5; D26/59, 72, 57, 81–86; 392/364; 362/96

FIG. 4 is an enlarged bottom plan view of the combined ceiling fan housing and light fixture unit in accordance with my design.

(56) **References Cited**

**U.S. PATENT DOCUMENTS**

- D. 370,973 \* 6/1996 Wu ..... D23/411
- D. 373,629 \* 9/1996 Chan ..... D23/411

The front and rear, left and right elevational views are symmetrical.

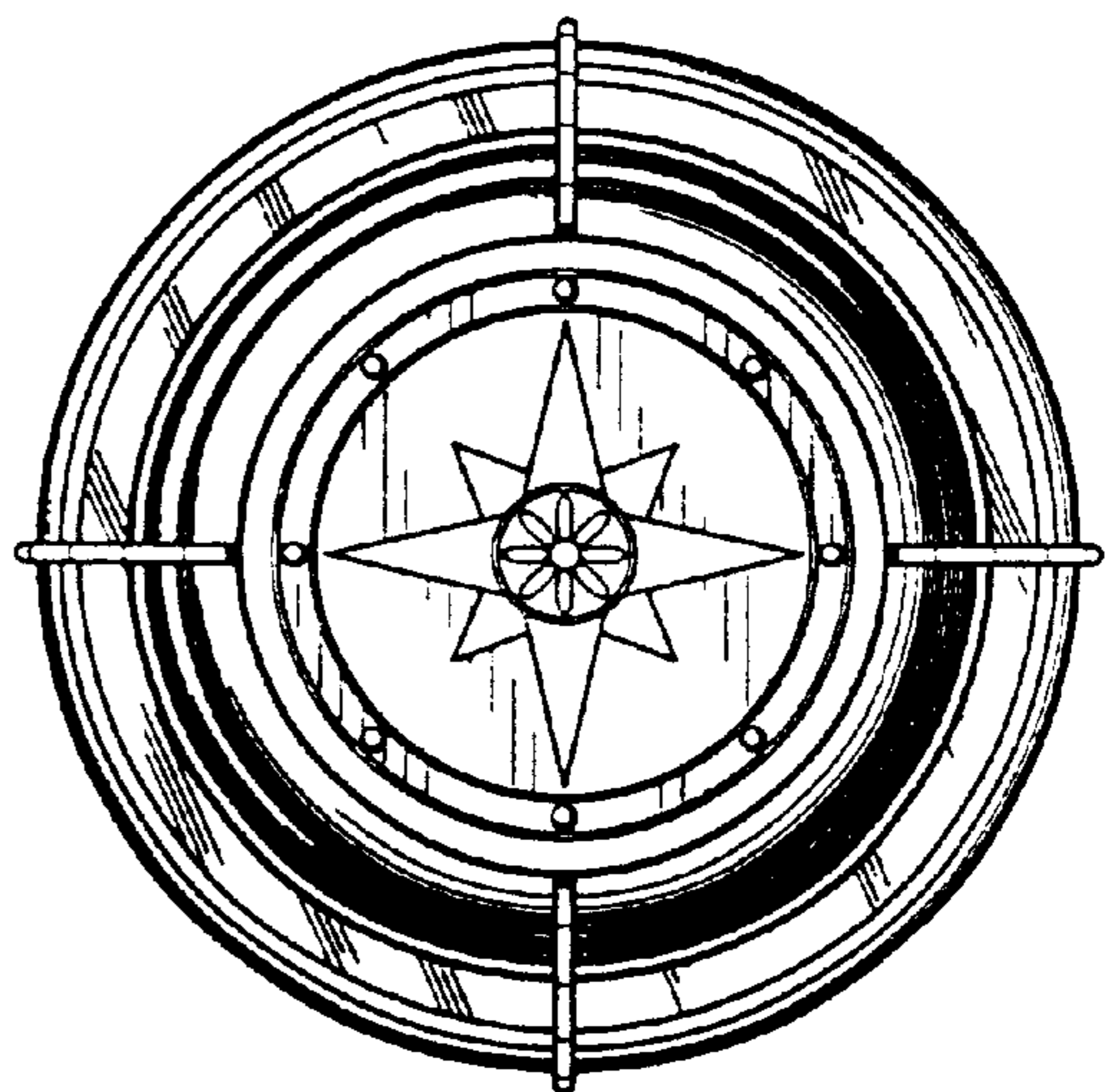
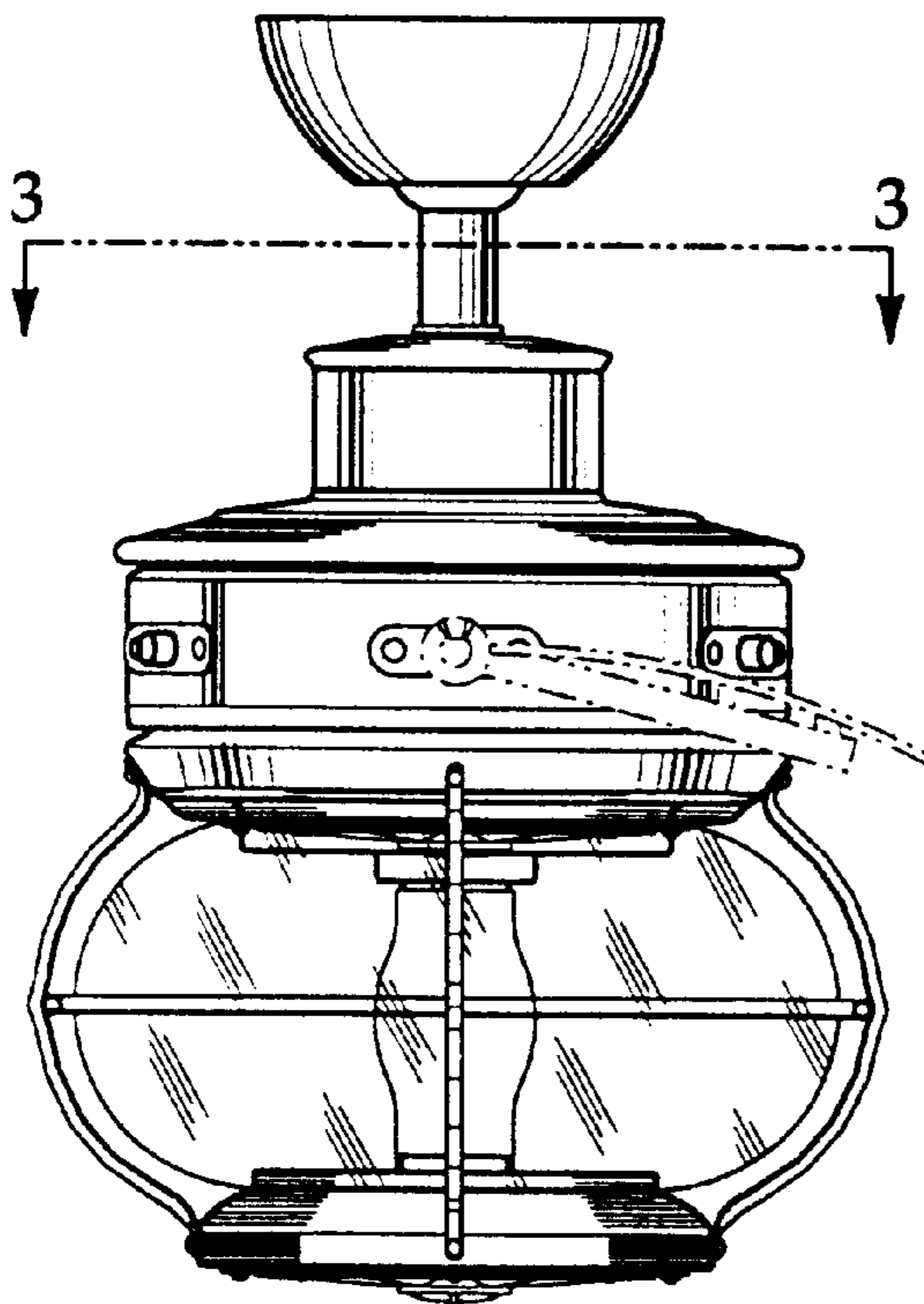
**OTHER PUBLICATIONS**

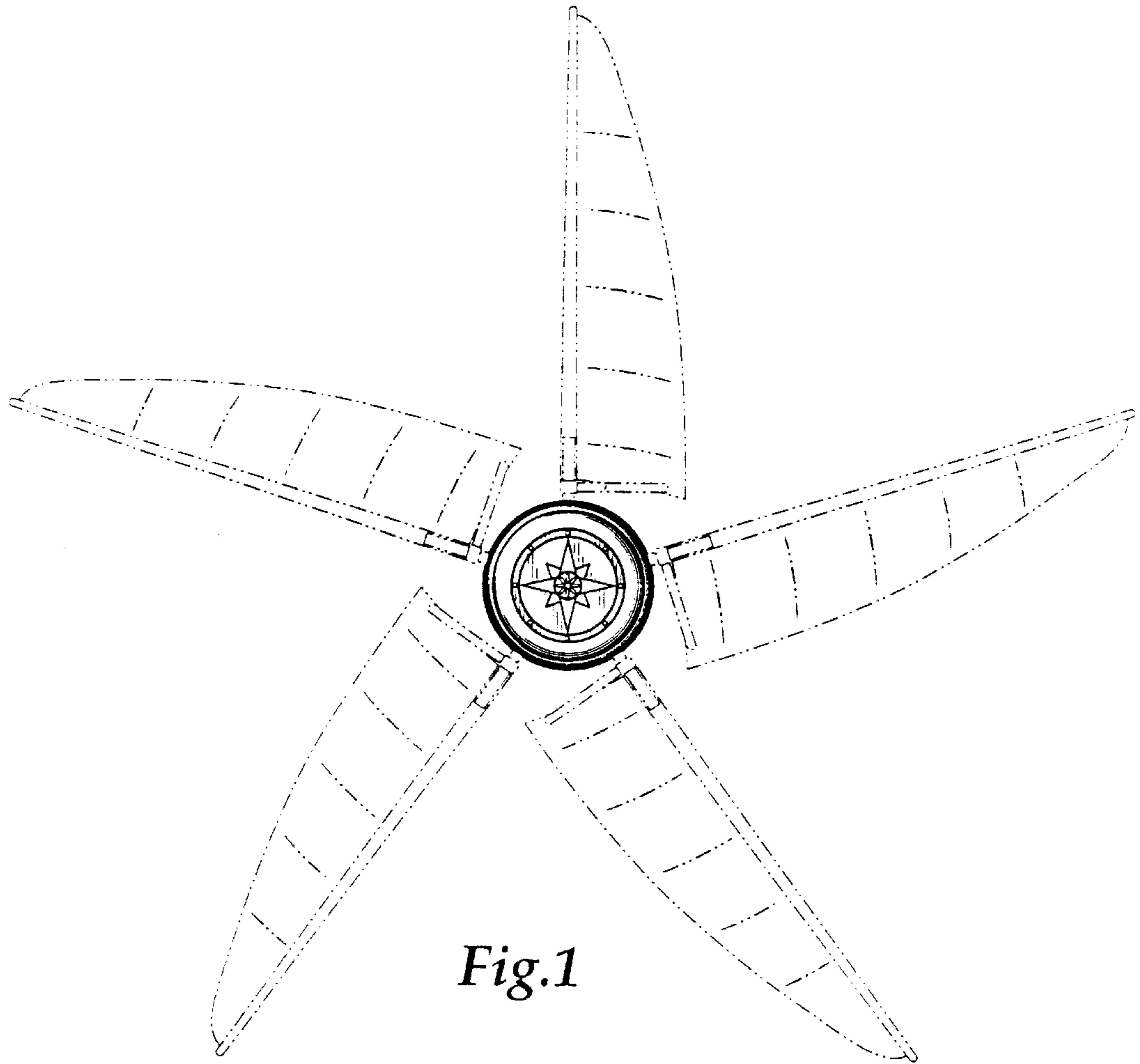
Minka Lighting, Inc.; MinkaAire Two Thousand One; Oct. 5, 2000; pp. 18–19; Published in U.S.A.

The broken line showing of environmental structure in FIGS. 1–3 is for illustrative purposes only and forms no part of the claimed design.

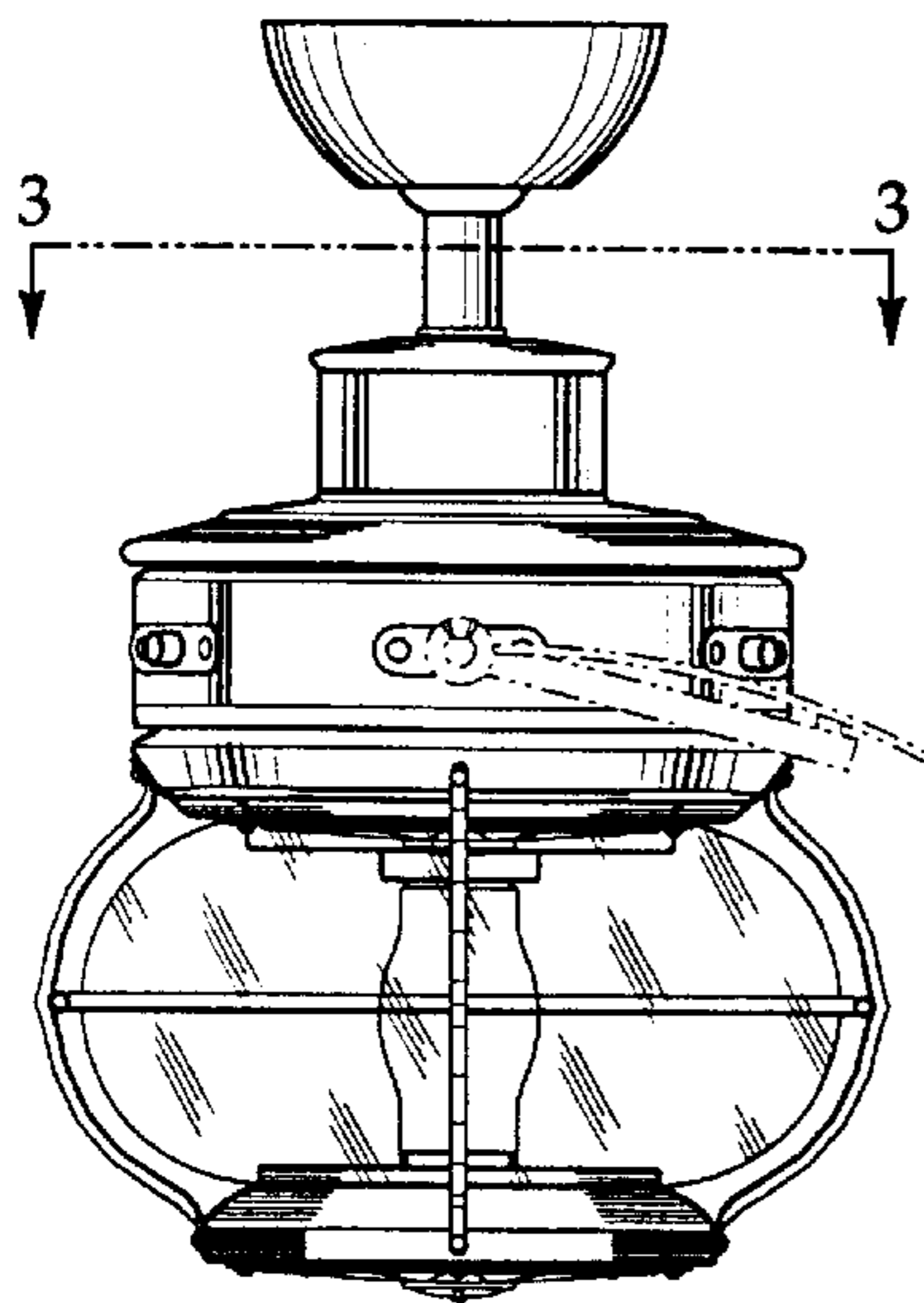
\* cited by examiner

**1 Claim, 1 Drawing Sheet**

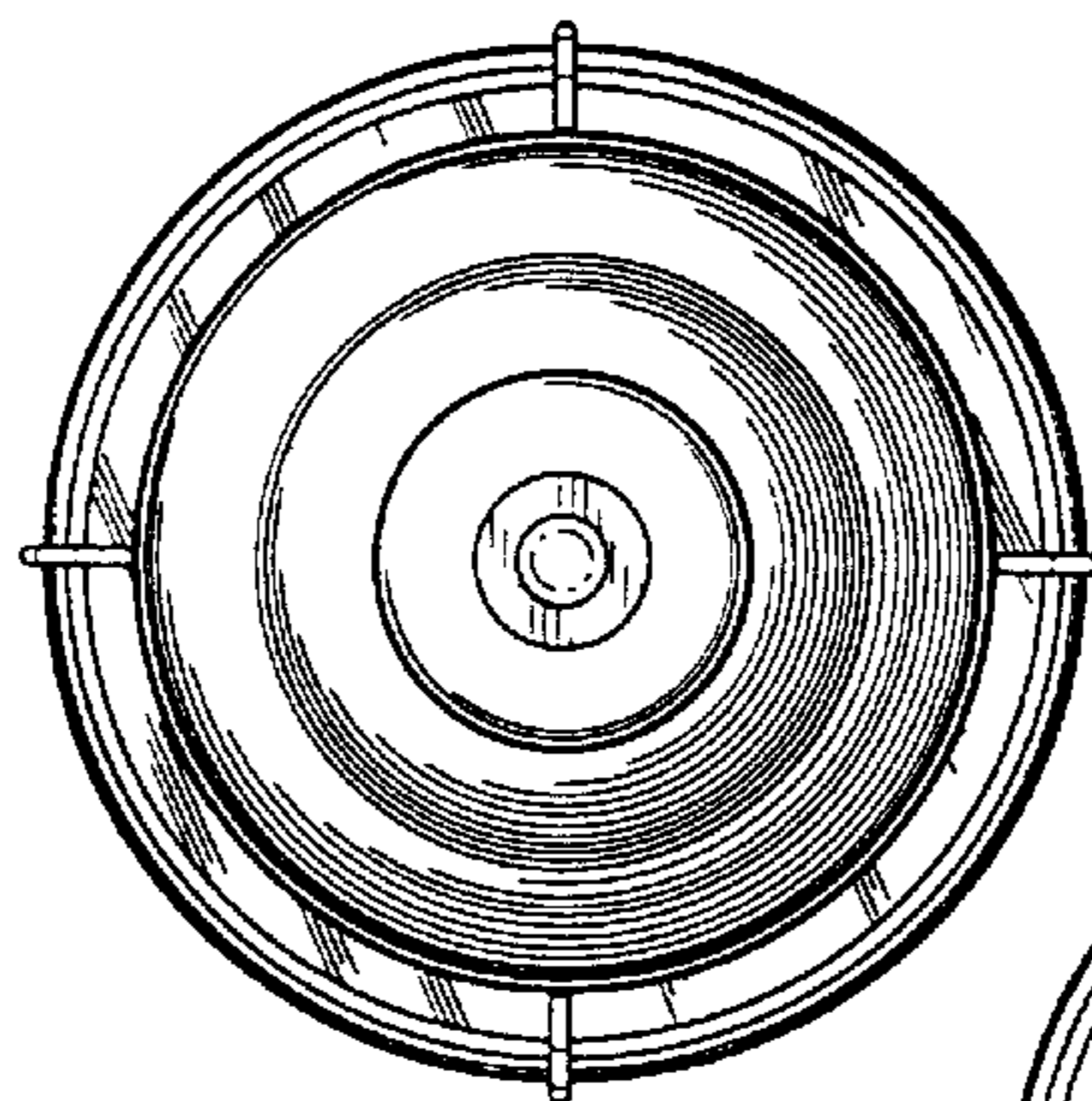




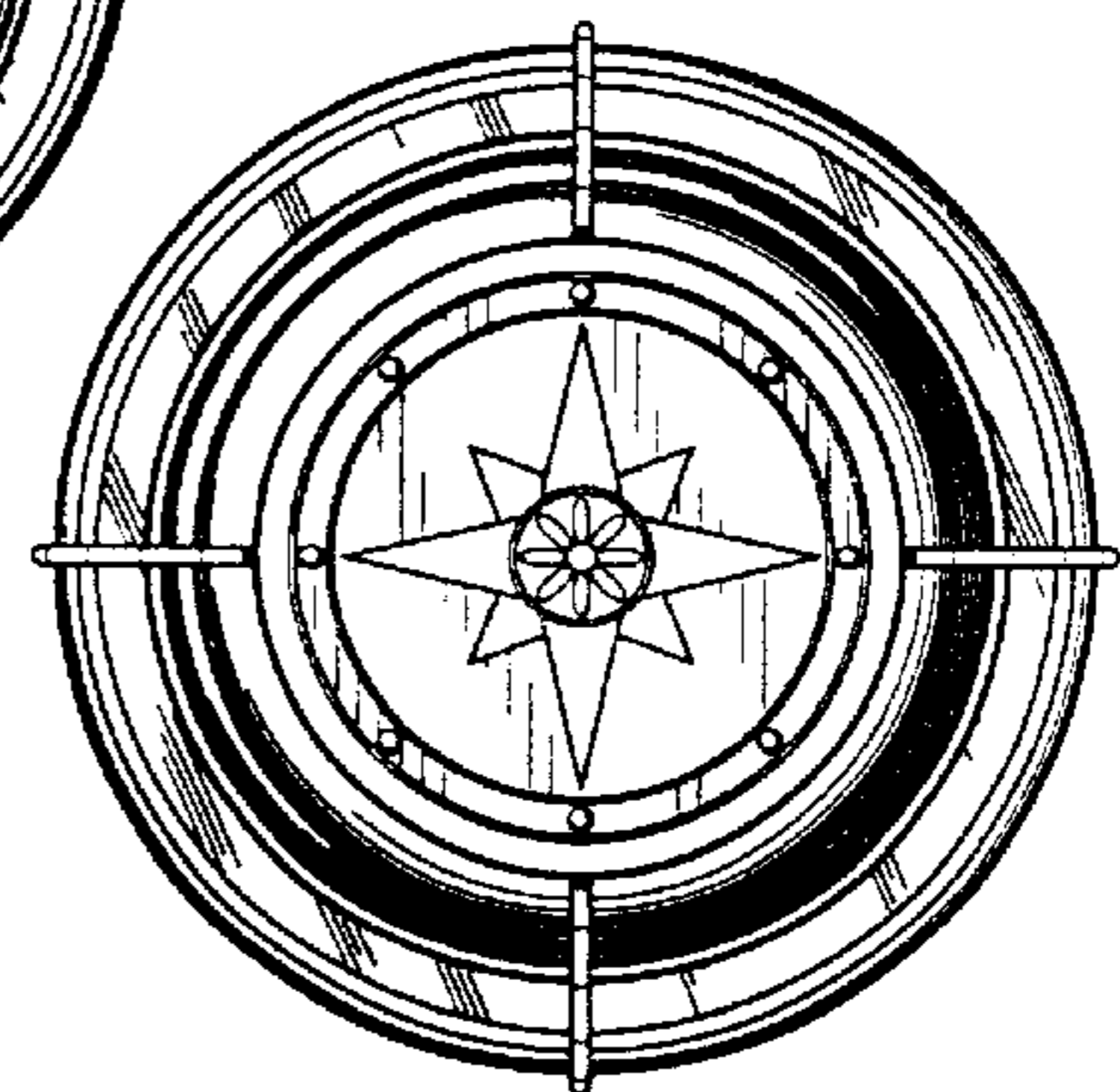
*Fig.1*



*Fig.2*



*Fig.3*



*Fig.4*