



US00D449680B1

(12) **United States Design Patent**
Arlotta et al.

(10) **Patent No.:** **US D449,680 S**

(45) **Date of Patent:** **** Oct. 23, 2001**

(54) **BLADE FOR LOUVERED VENTILATION PANEL**

(75) Inventors: **Angelo Arlotta; David Kieseckamp,**
both of Ottawa; **Bevin Schmidt,**
Dunrobin, all of (CA)

(73) Assignee: **Alcatel Canada Inc. (CA)**

(**) Term: **14 Years**

(21) Appl. No.: **29/119,089**

(22) Filed: **Feb. 23, 2000**

(51) **LOC (7) Cl.** **23-04**

(52) **U.S. Cl.** **D23/393**

(58) **Field of Search** D23/393, 388;
454/338, 201; 55/302, 283, 294, 337, 418;
62/427, 262, 263, 429

(56) **References Cited**

U.S. PATENT DOCUMENTS

- D. 103,308 * 2/1937 Covell D23/388
- D. 285,830 * 9/1986 Daily et al. D23/388
- 3,783,637 * 1/1974 Woods 454/338
- 4,174,204 * 11/1979 Chase 55/302

* cited by examiner

Primary Examiner—Mitchell Siegel

(74) *Attorney, Agent, or Firm*—Larson & Taylor, PLC

(57) **CLAIM**

The ornamental design of a blade for louvered ventilation panel, as shown and described.

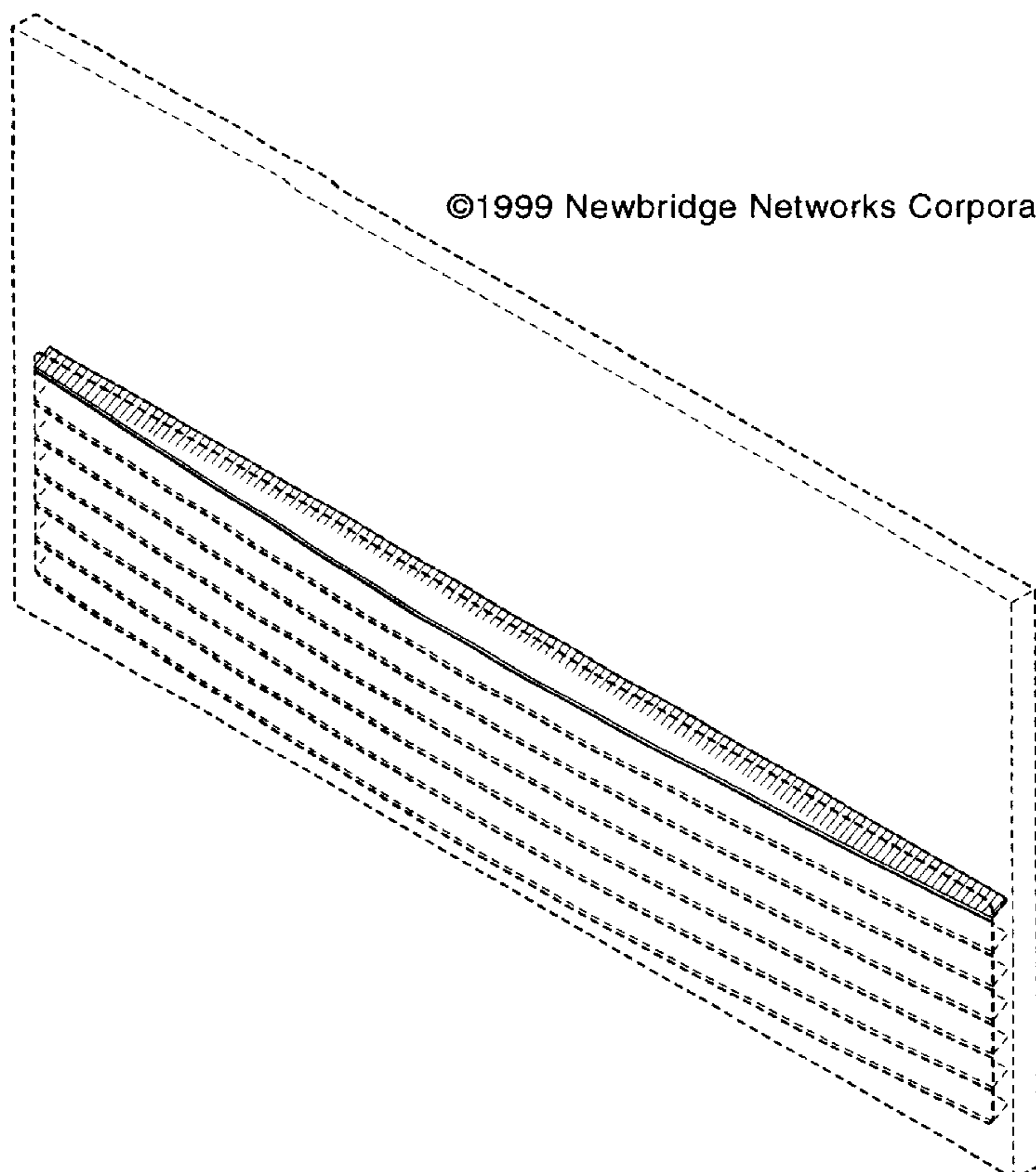
DESCRIPTION

A portion of the disclosure of this patent document contains material to which a claim for copyright is made. The copyright owner has no objection to the facsimile reproduction by anyone of the patent document or the patent disclosure, as it appears in the Patent and Trademark Office patent file or records, but reserves all other copyright rights whatsoever.

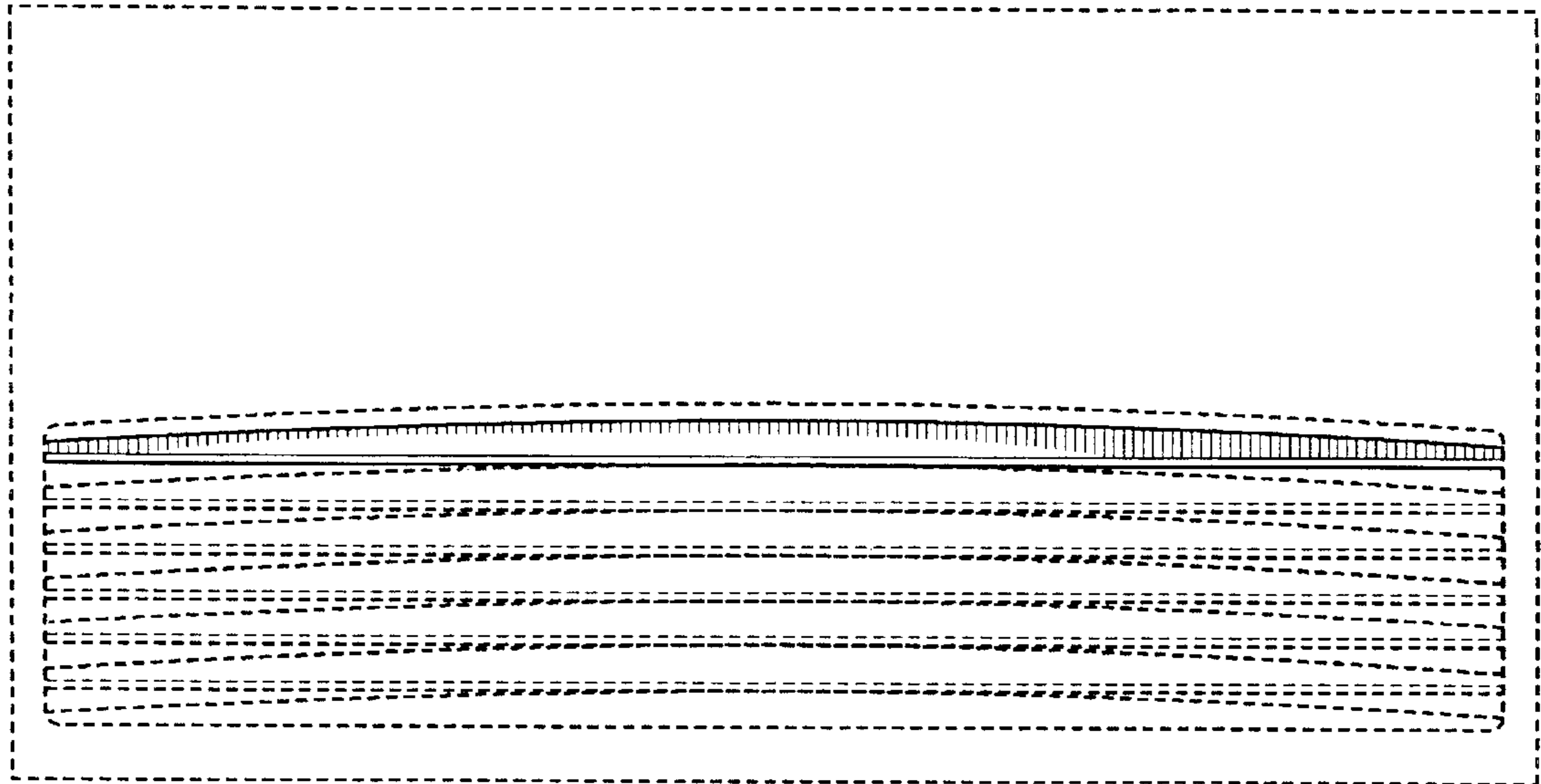
- FIG. 1 is a front elevational view of a first embodiment of the blade for louvered ventilation panel;
- FIG. 2 is a right hand view thereof, the left hand view thereof being a mirror view of the said right hand view;
- FIG. 3 is a top elevational view thereof;
- FIG. 4 is a bottom elevational view thereof;
- FIG. 5 is a sectional view thereof taken along line 5—5 of FIG. 4;
- FIG. 6 is a sectional view thereof taken along line 6—6 of FIG. 4;
- FIG. 7 is a sectional view thereof taken along line 7—7 of FIG. 4;
- FIG. 8 is a front isometric view thereof; and,
- FIG. 9 is a rear isometric view thereof.

The broken line showings of FIGS. 1 to 9 are for illustrative purposes only and form no part of the claimed design.

1 Claim, 3 Drawing Sheets



©1999 Newbridge Networks Corporation



©1999 Newbridge Networks Corporation

Figure 1



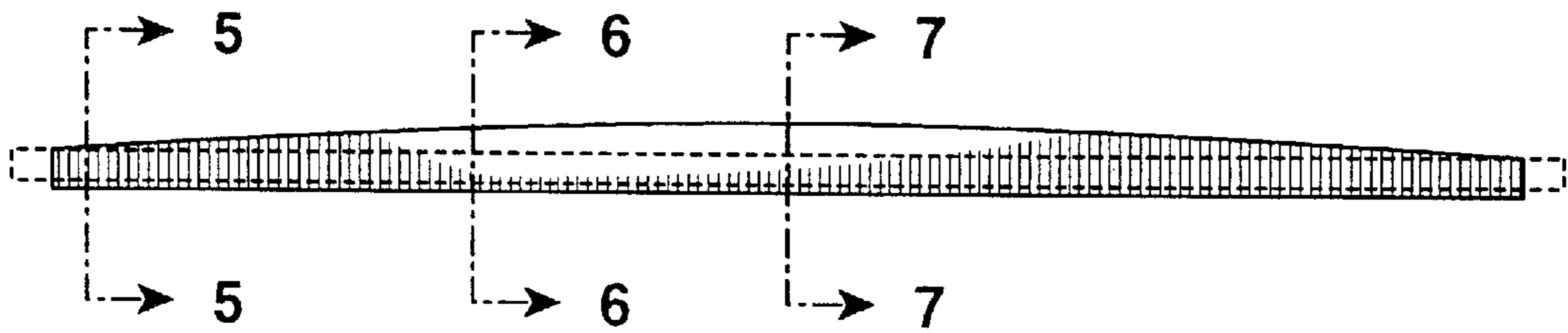
©1999 Newbridge Networks Corporation

Figure 2



©1999 Newbridge Networks Corporation

Figure 3



©1999 Newbridge Networks Corporation

Figure 4



©1999 Newbridge Networks Corporation

Figure 5



©1999 Newbridge Networks Corporation

Figure 6

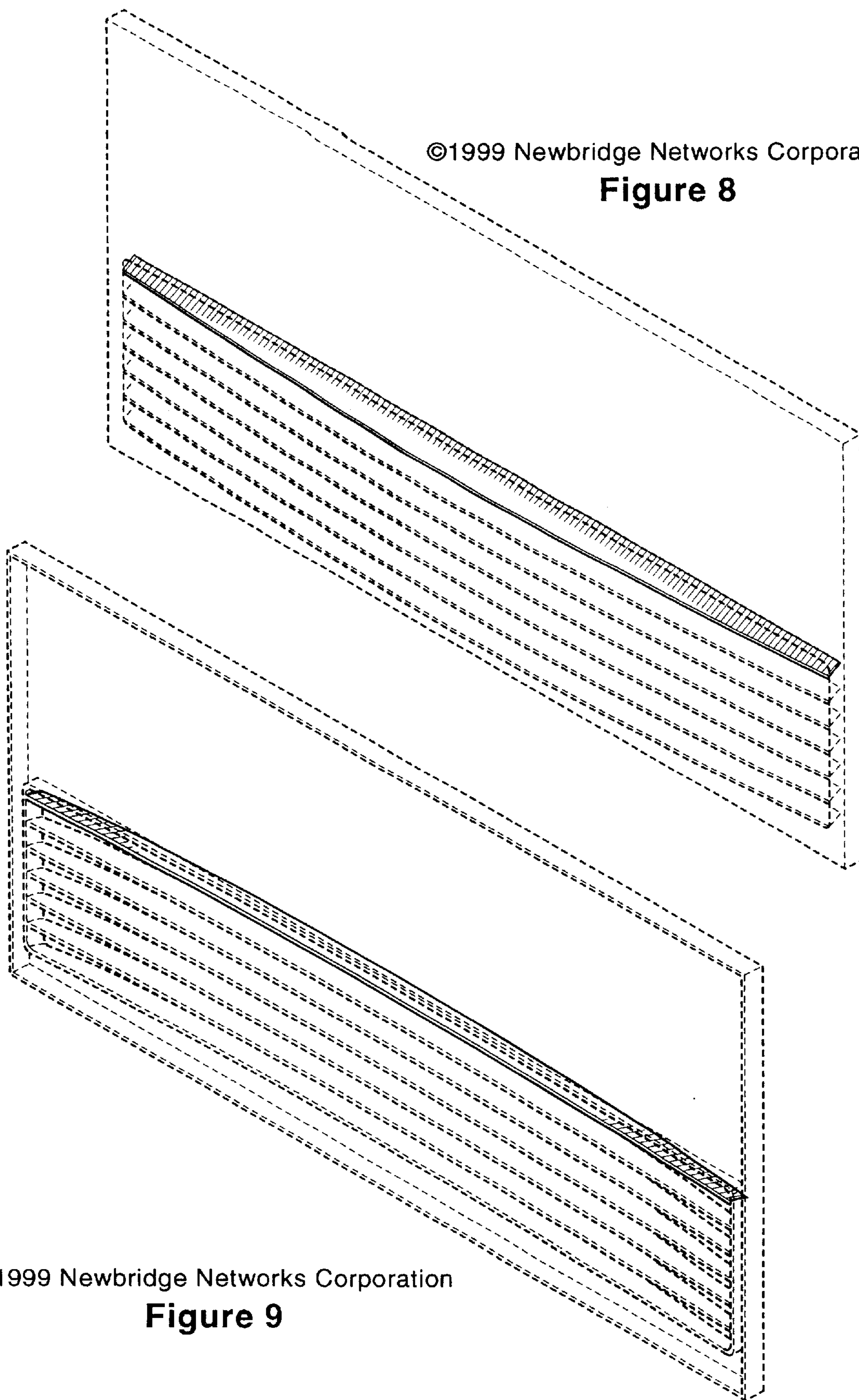


©1999 Newbridge Networks Corporation

Figure 7

©1999 Newbridge Networks Corporation

Figure 8



©1999 Newbridge Networks Corporation

Figure 9