



US00D449675B1

(12) **United States Design Patent**  
**Shih**

(10) **Patent No.:** **US D449,675 S**

(45) **Date of Patent:** **\*\* Oct. 23, 2001**

(54) **ELECTRIC HEATER**

(75) **Inventor:** **Wen-Te Shih, Taipei Hsien (TW)**

(73) **Assignee:** **Eastpearl Enterprise Co., Ltd., Taipei Hsien (TW)**

(\*\*) **Term:** **14 Years**

(21) **Appl. No.:** **29/126,577**

(22) **Filed:** **Jul. 20, 2000**

(51) **LOC (7) Cl.** ..... **23-03**

(52) **U.S. Cl.** ..... **D23/330; D23/332**

(58) **Field of Search** ..... **D23/332, 330;**  
**392/357, 358, 375-78, 365-9; 237/16, 17,**  
**70, 71**

(56) **References Cited**

**U.S. PATENT DOCUMENTS**

- D. 341,654 \* 11/1993 Wortham ..... D23/330
- D. 359,344 \* 6/1995 De'Longhi ..... D23/330
- D. 397,193 \* 8/1998 Boyle et al. .... D23/330

- D. 428,644 \* 7/2000 De'Longhi ..... D23/332
- 1,763,328 \* 6/1930 Robinson .
- 2,521,173 \* 9/1950 Koral .
- 4,870,253 \* 9/1989 De'Longhi ..... 237/16
- 5,966,498 \* 10/1999 Kirchner et al. .... 392/377

\* cited by examiner

*Primary Examiner*—B. J. Bullock

(74) *Attorney, Agent, or Firm*—Bacon & Thomas, PLLC

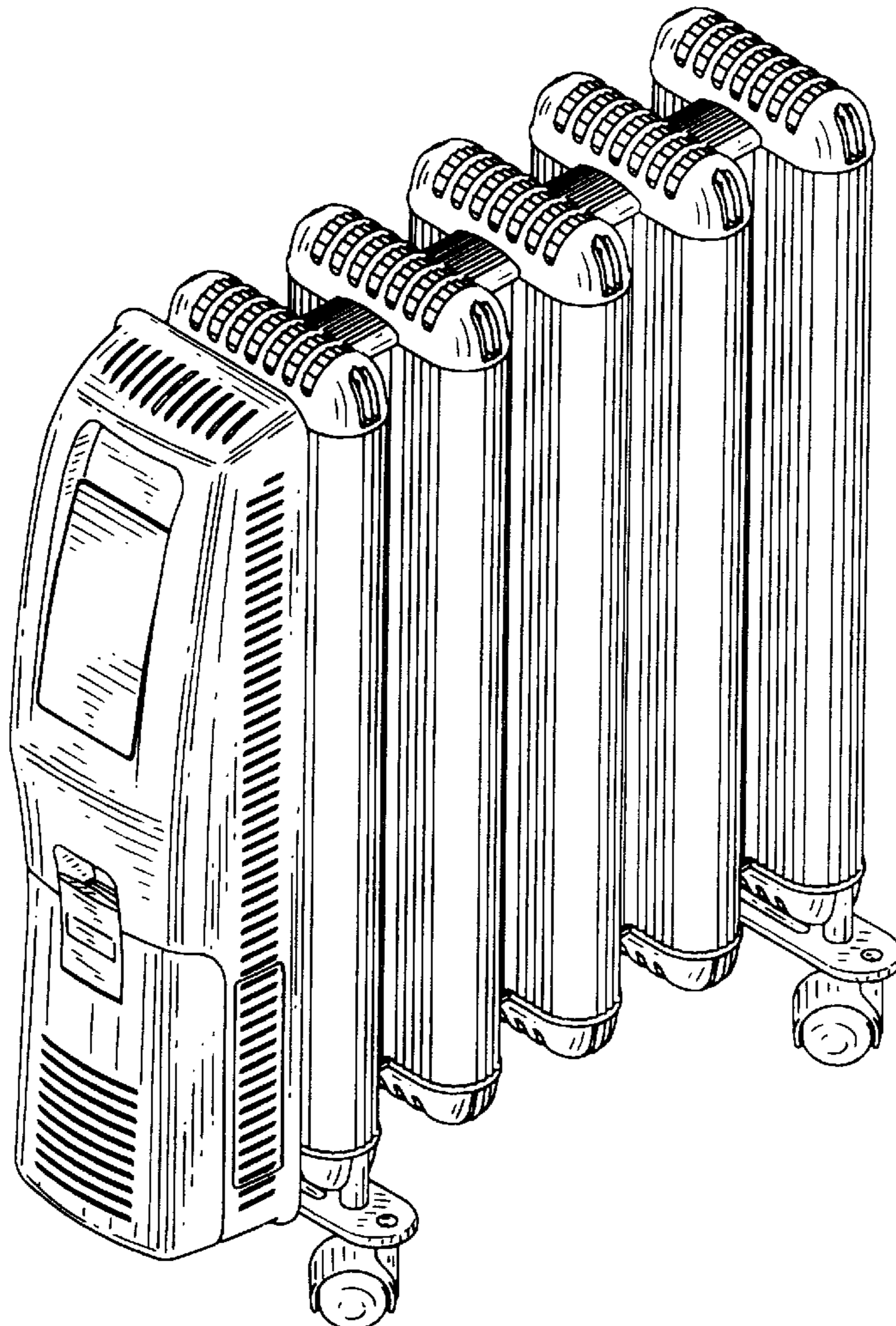
(57) **CLAIM**

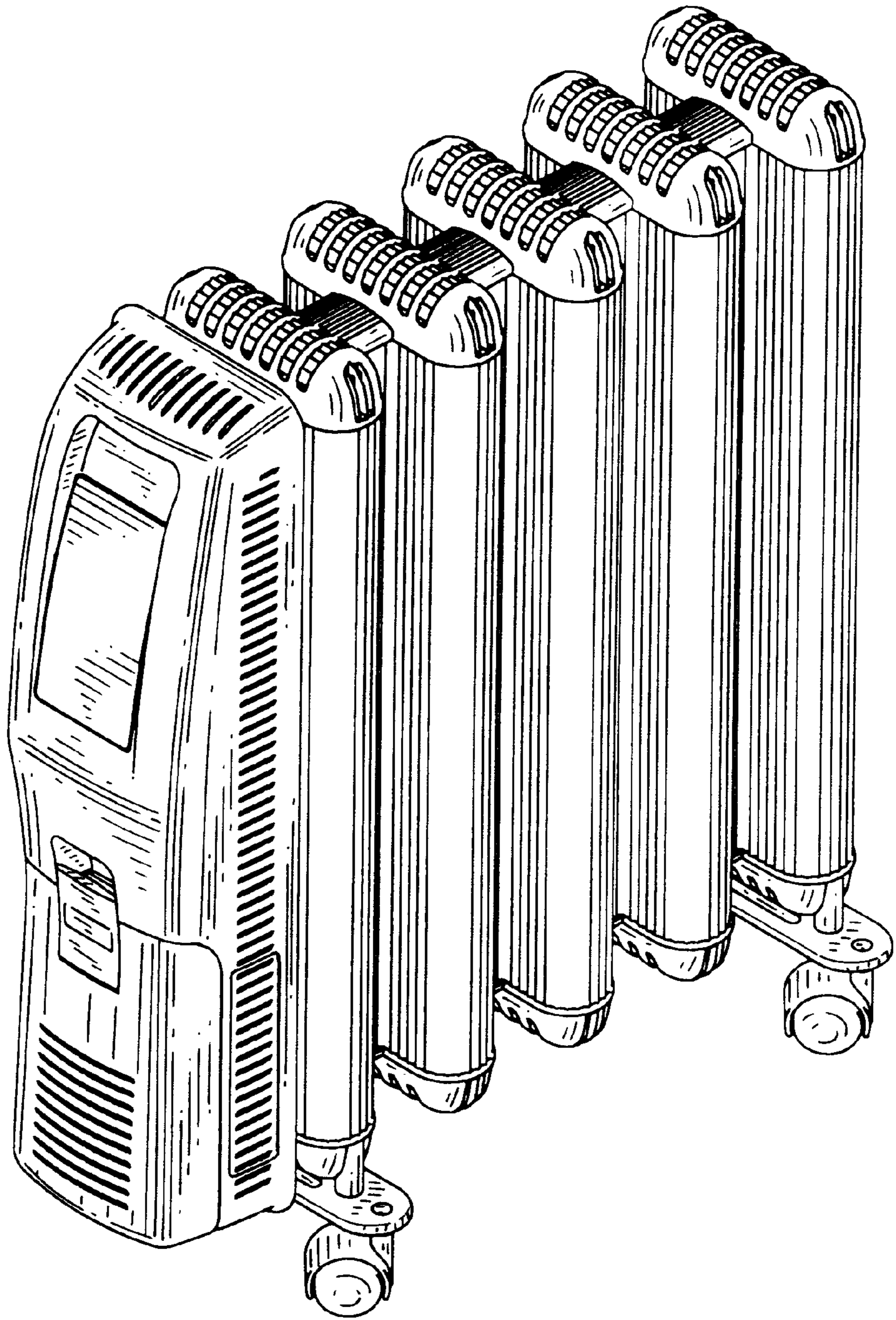
The ornamental design for an electric heater, as shown and described.

**DESCRIPTION**

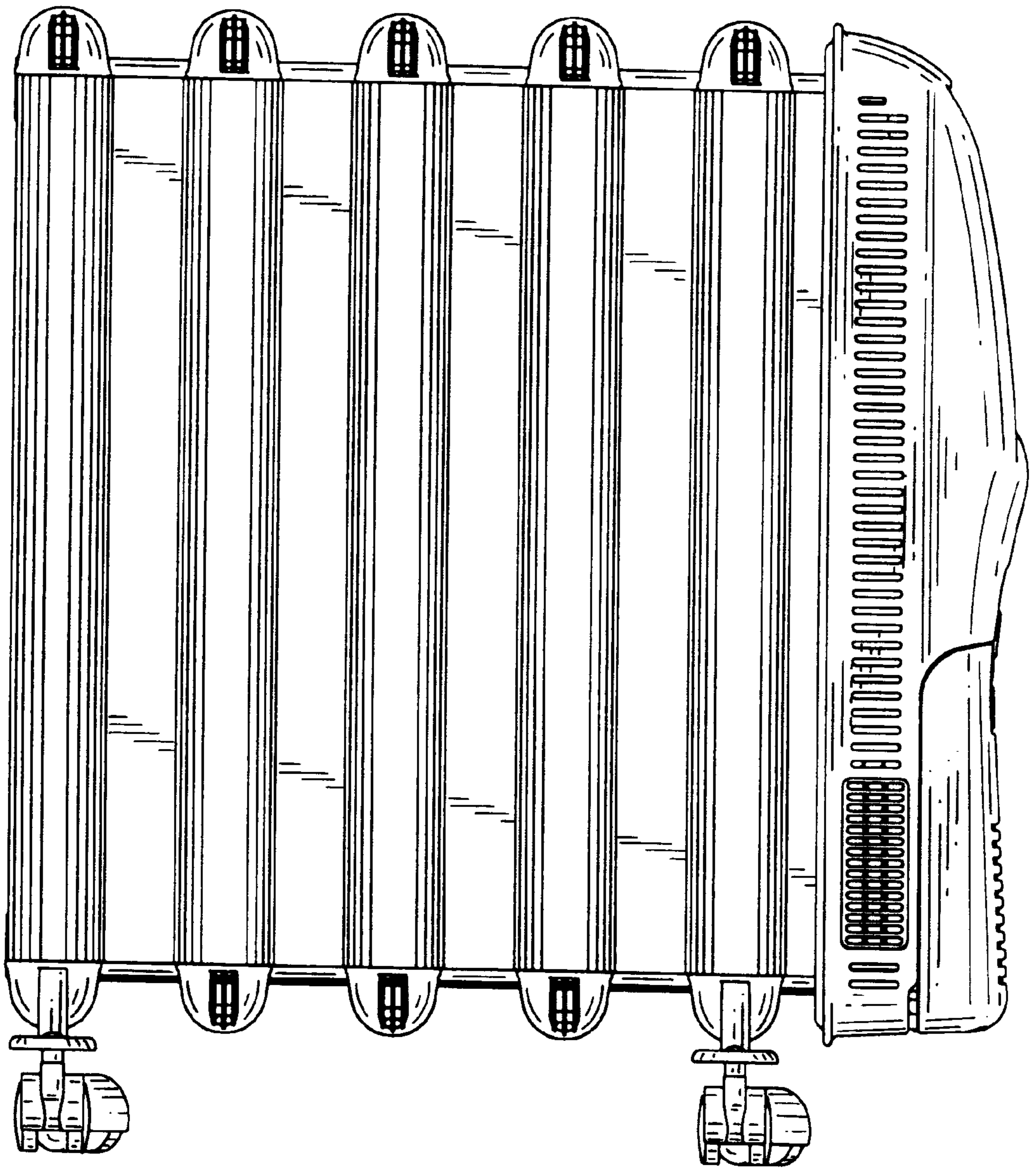
FIG. 1. is a top, front right side perspective view thereof;  
 FIG. 2. is a front elevational view thereof;  
 FIG. 3. is a rear elevational view thereof;  
 FIG. 4. is a left plan view thereof;  
 FIG. 5. is a right plan view thereof;  
 FIG. 6. is a top plan view thereof; and,  
 FIG. 7. is a bottom plan view thereof.

**1 Claim, 7 Drawing Sheets**

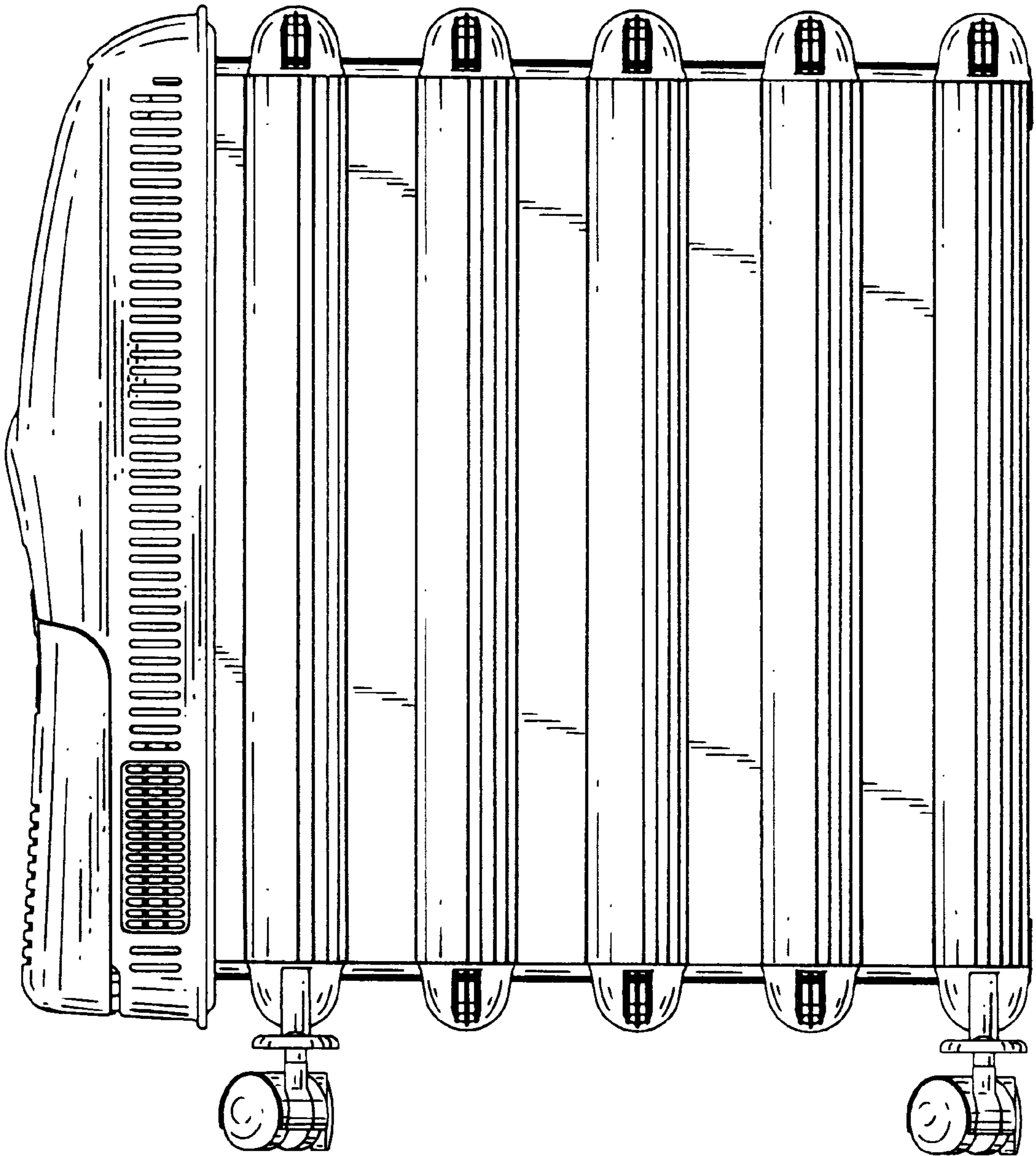




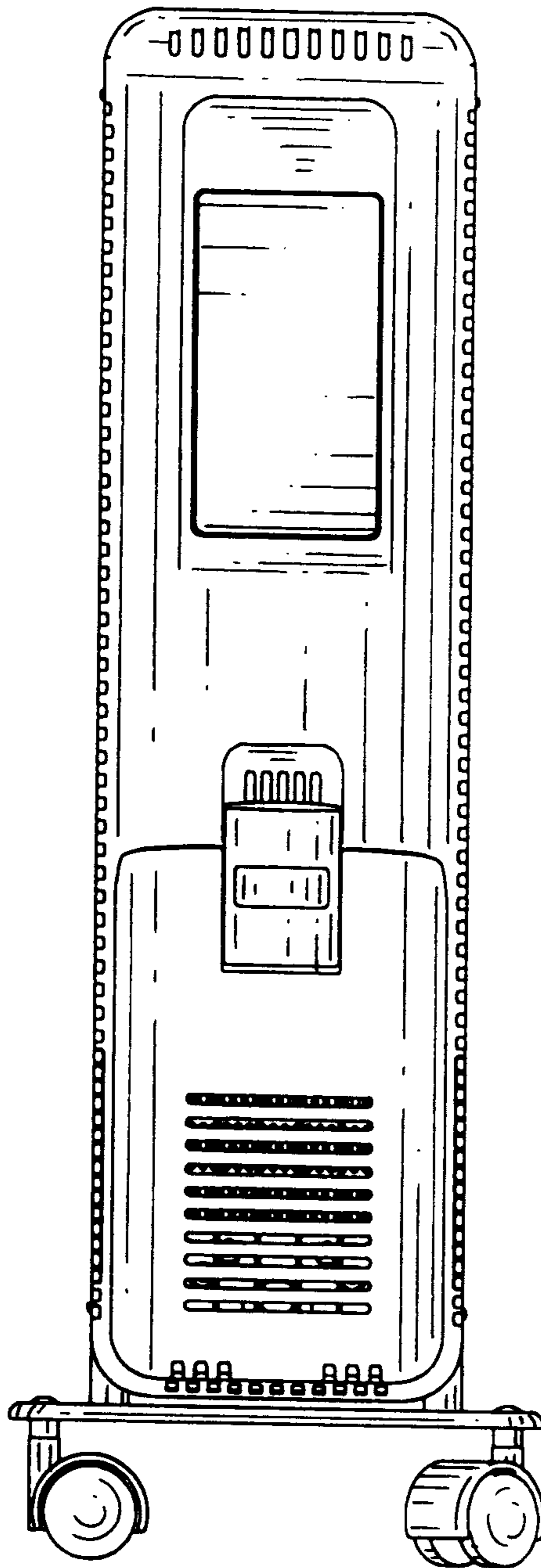
**FIG. 1**



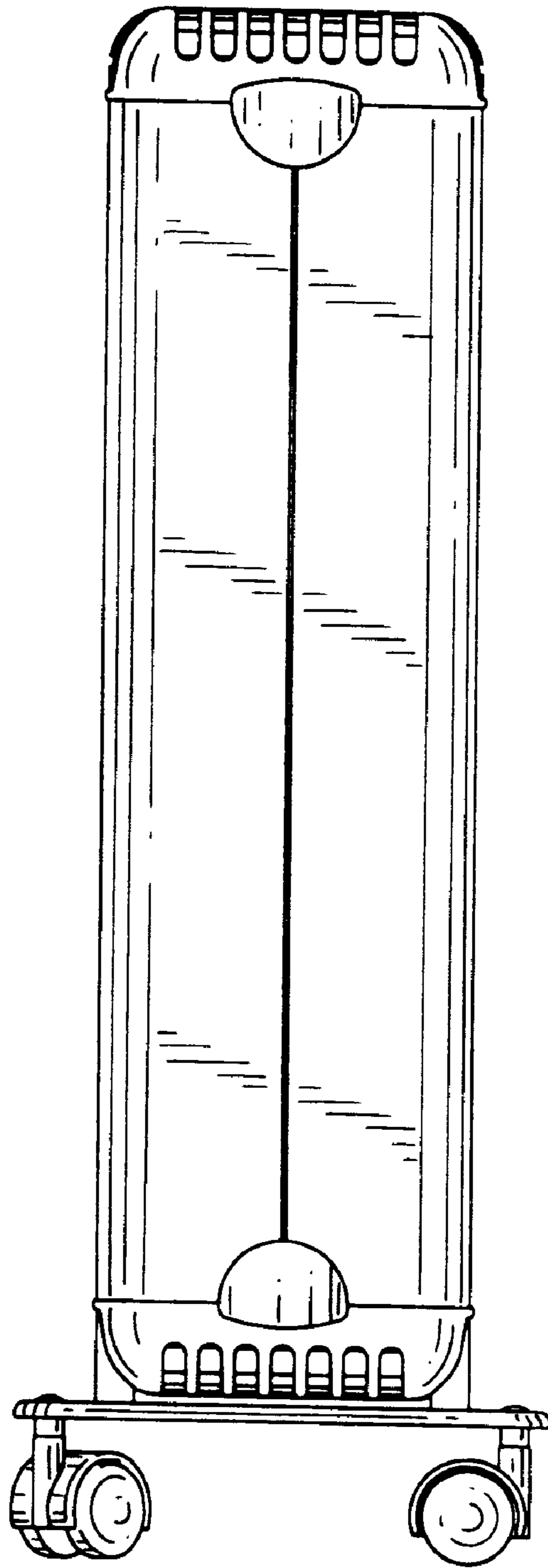
**FIG. 2**



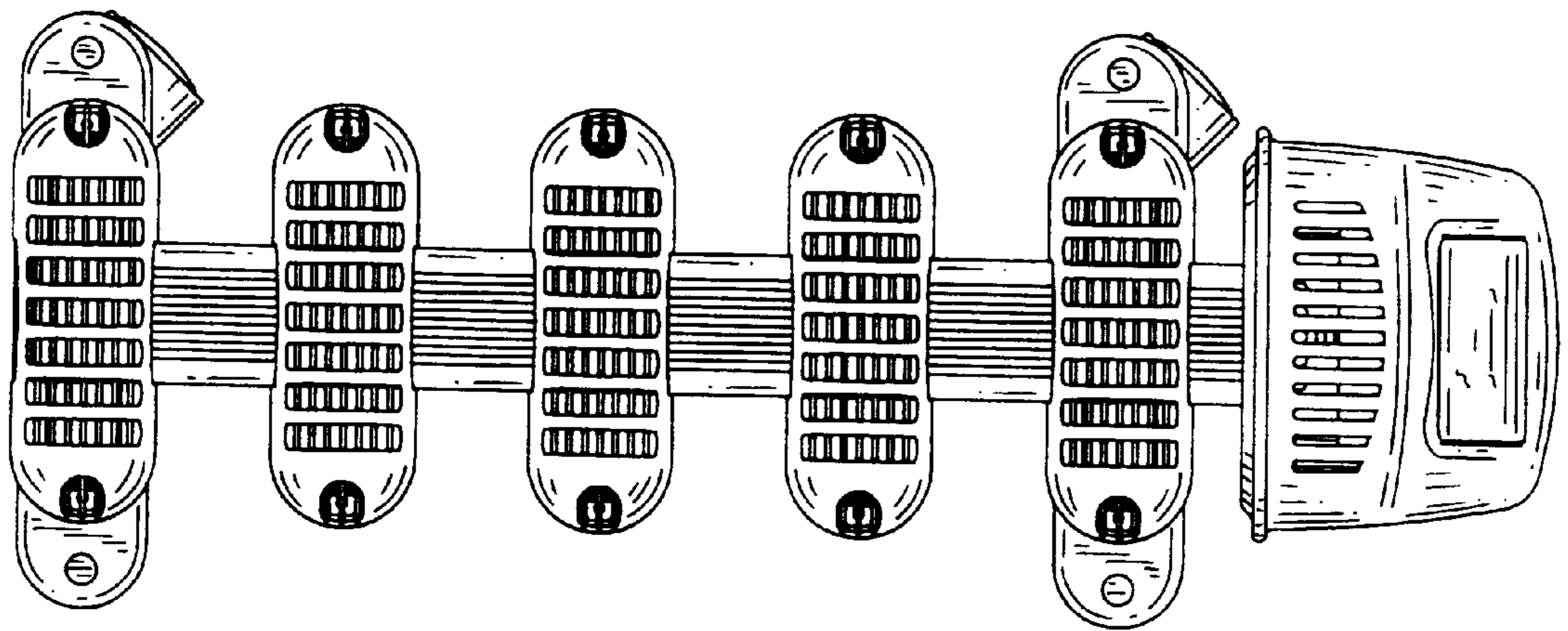
**FIG. 3**



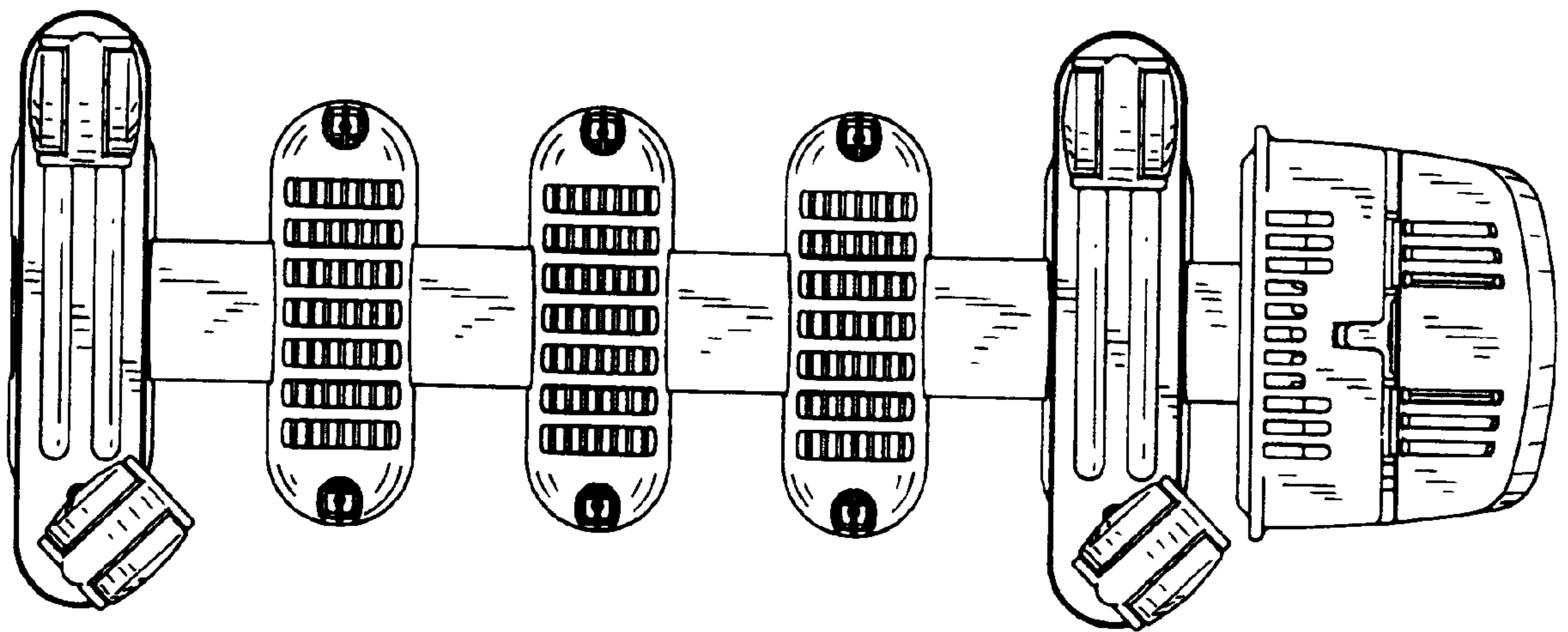
**FIG. 4**



**FIG. 5**



**FIG. 6**



**FIG. 7**