



US00D449672B1

(12) **United States Design Patent**  
**Chen**

(10) **Patent No.:** **US D449,672 S**

(45) **Date of Patent:** **\*\* Oct. 23, 2001**

(54) **SPRAY GUN**

D. 397,420 \* 8/1998 Campbell ..... D23/225

(76) Inventor: **Kuo-Liang Chen**, No. 246-1,  
Chang-Ma Rd., Changhua City (TW)

\* cited by examiner

(\*\*) Term: **14 Years**

*Primary Examiner*—Robin V. Taylor

(74) *Attorney, Agent, or Firm*—William E. Pelton, Esq.

(21) Appl. No.: **29/135,845**

(57) **CLAIM**

(22) Filed: **Jan. 19, 2001**

The ornamental design for a spray gun, as shown.

(51) **LOC (7) Cl.** ..... **23-01**

**DESCRIPTION**

(52) **U.S. Cl.** ..... **D23/226**

FIG. 1 is a front-left-top perspective view of a spray gun,  
showing my new design;

(58) **Field of Search** ..... D23/213, 223,  
D23/226; 239/302, 310, 316–318, 525,  
526

FIG. 2 is a front elevational view thereof;

FIG. 3 is a rear elevational view thereof;

FIG. 4 is a left side elevational view thereof;

FIG. 5 is a right side elevational view thereof;

FIG. 6 is a top plan view thereof; and,

FIG. 7 is a bottom plan view thereof.

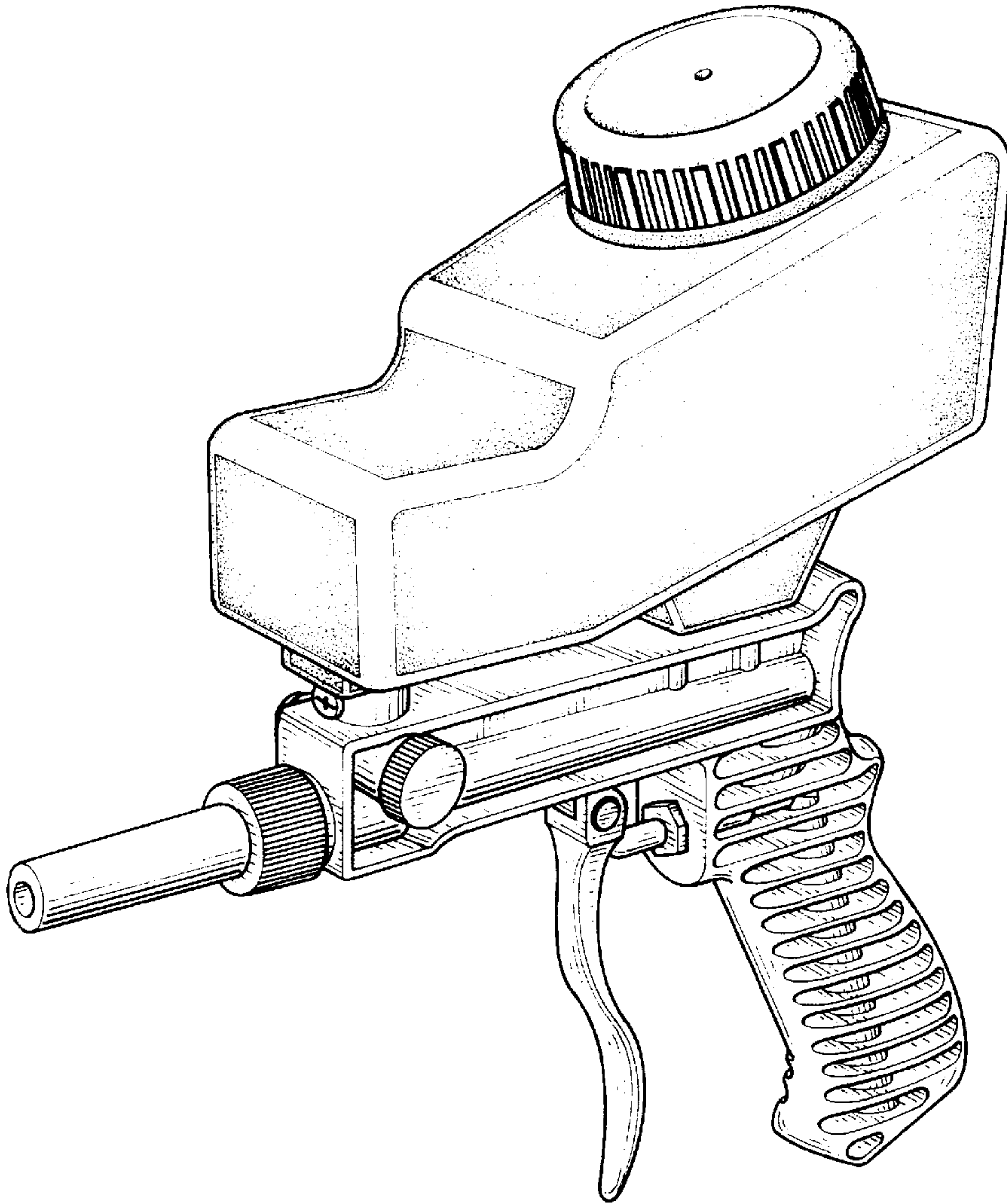
(56) **References Cited**

**U.S. PATENT DOCUMENTS**

D. 270,180 \* 8/1983 Grime ..... D23/225

D. 305,452 \* 1/1990 Morgan ..... D23/225

**1 Claim, 5 Drawing Sheets**



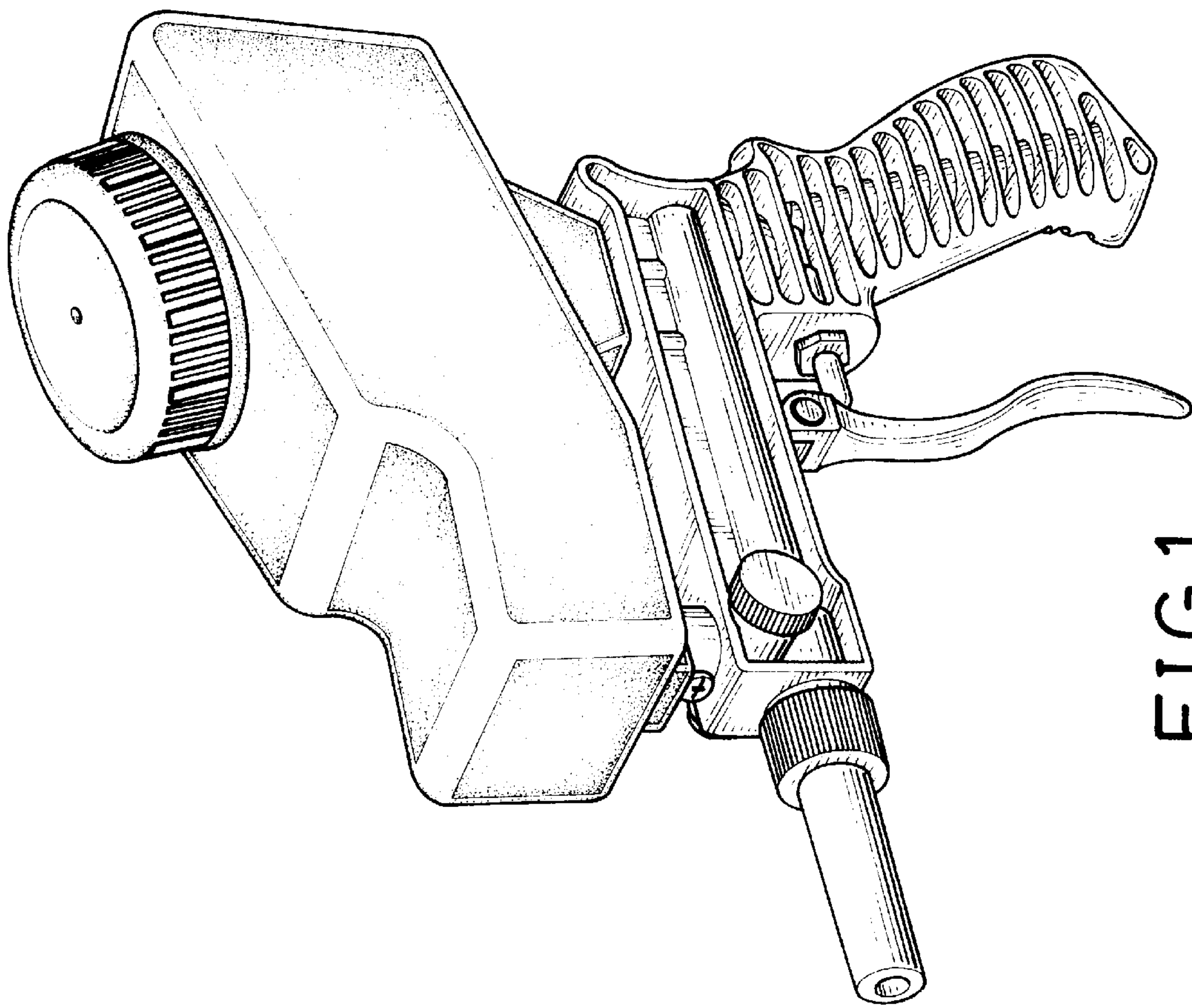


FIG.1

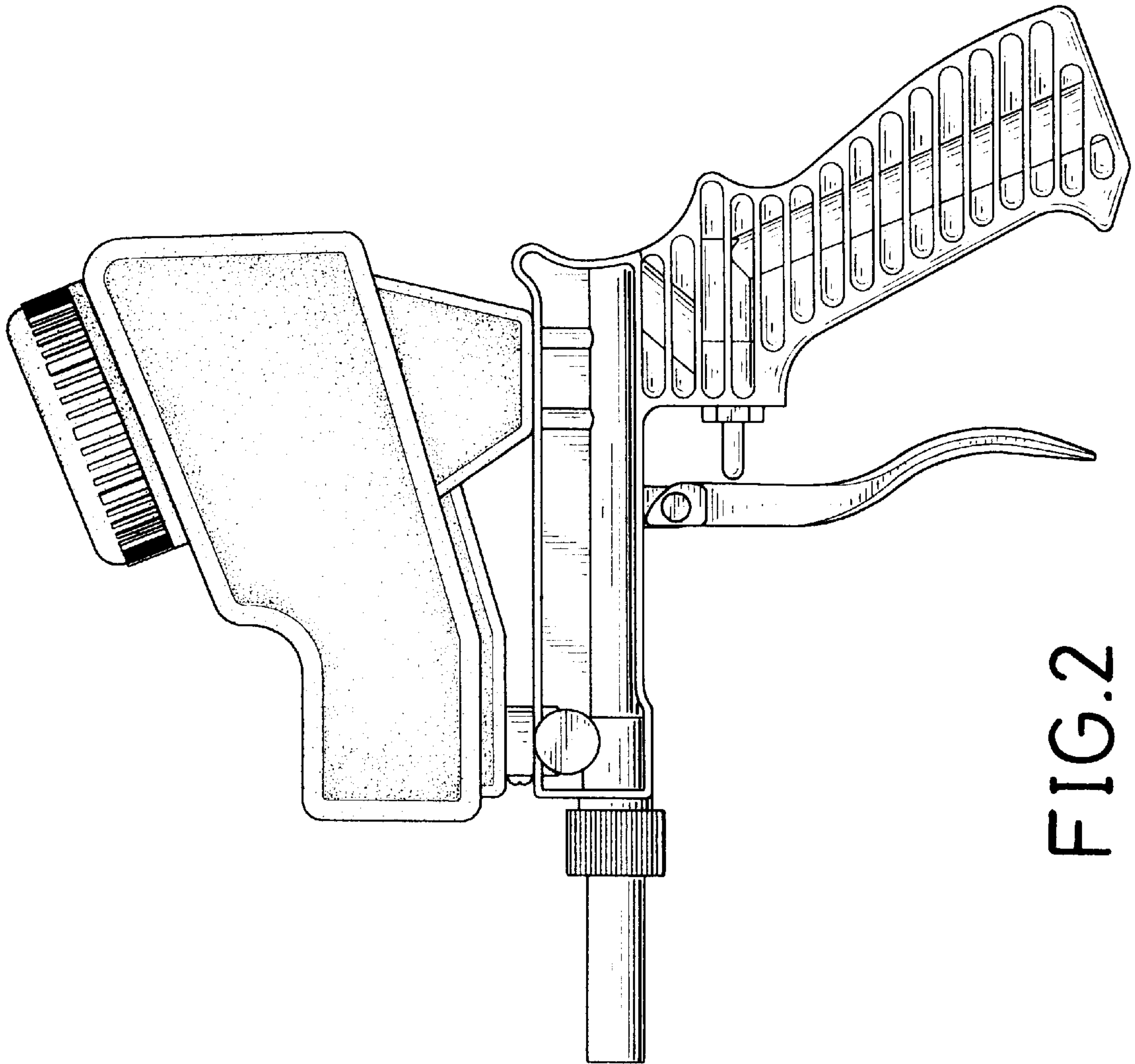


FIG. 2

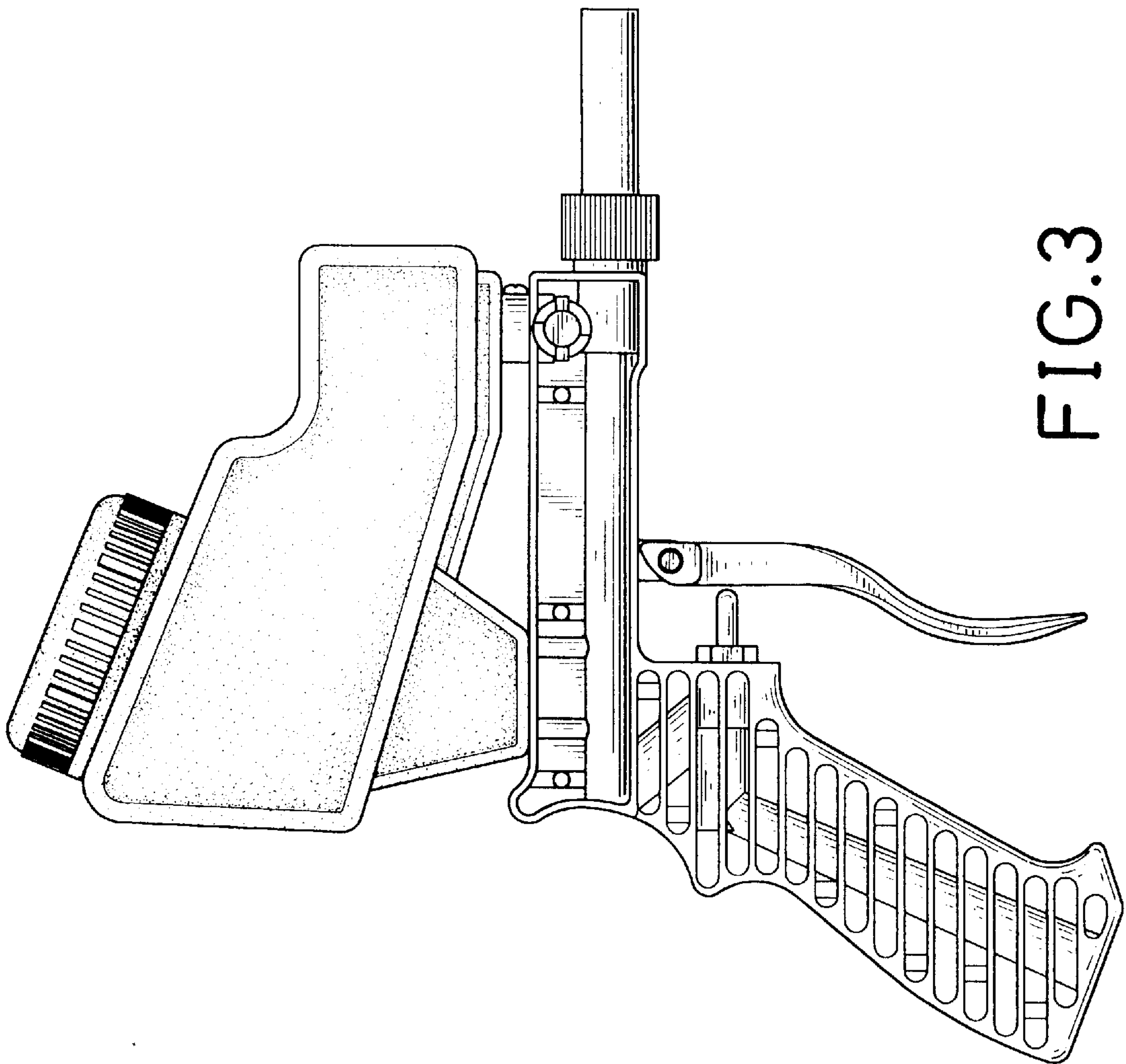


FIG.3



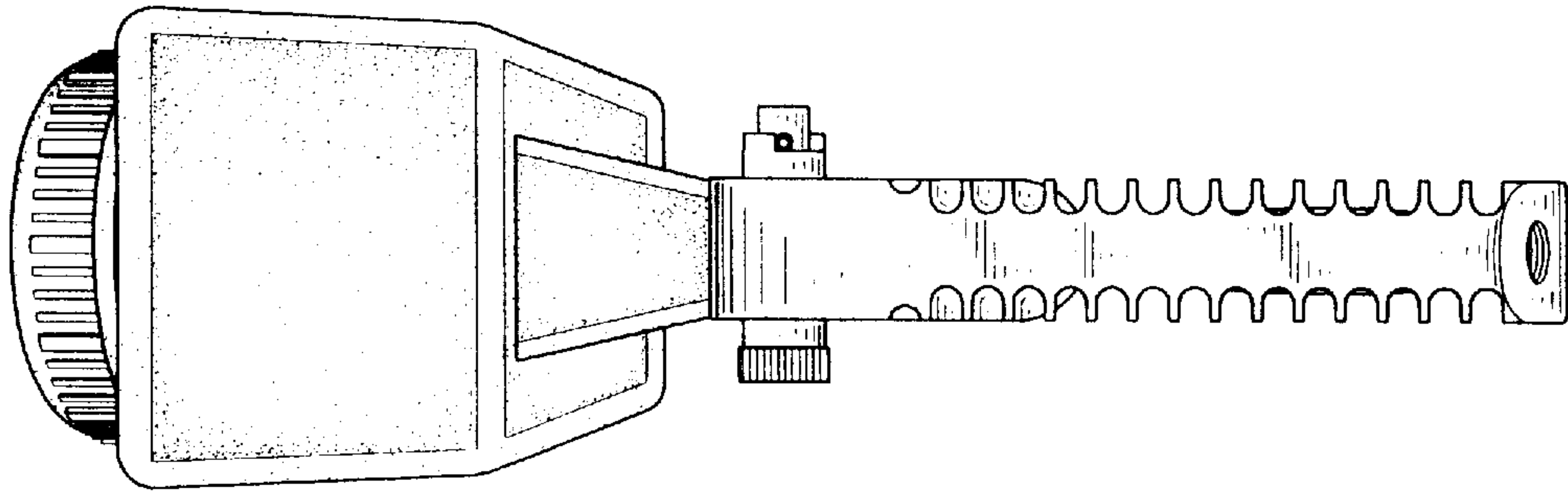


FIG. 5

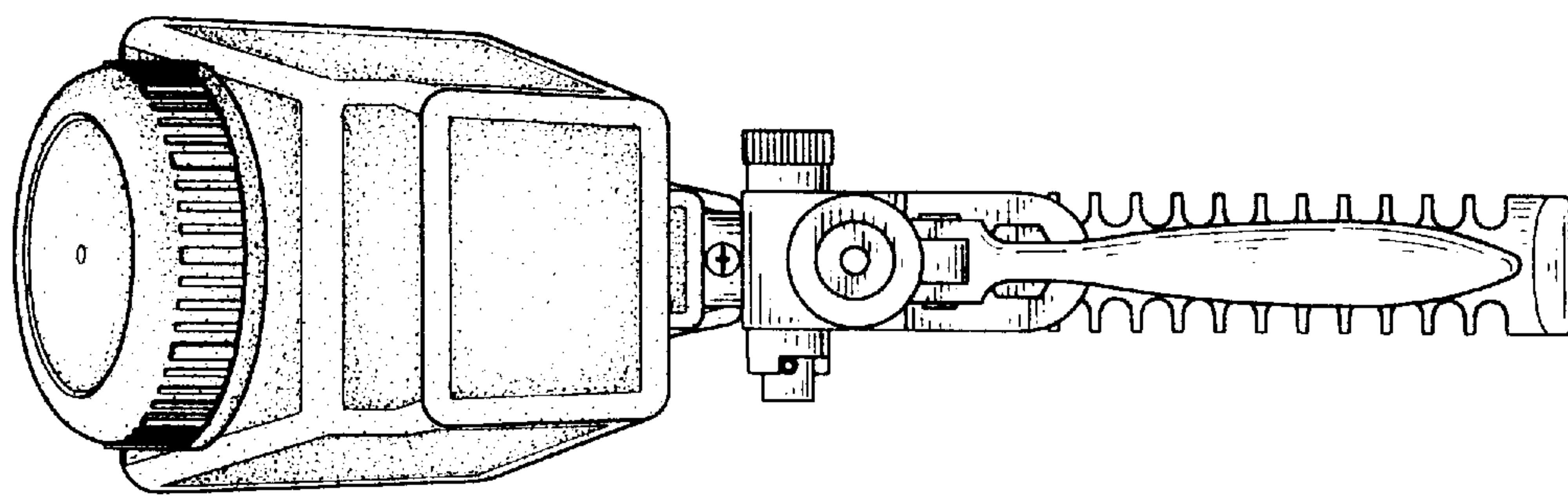


FIG. 4

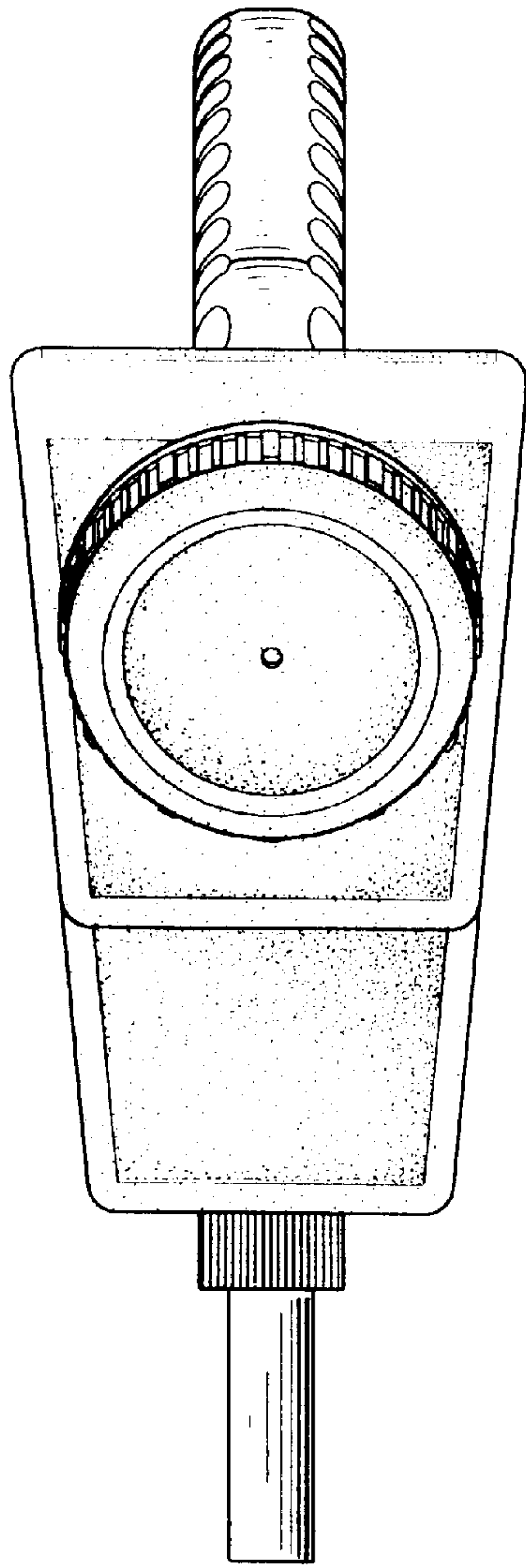


FIG. 6

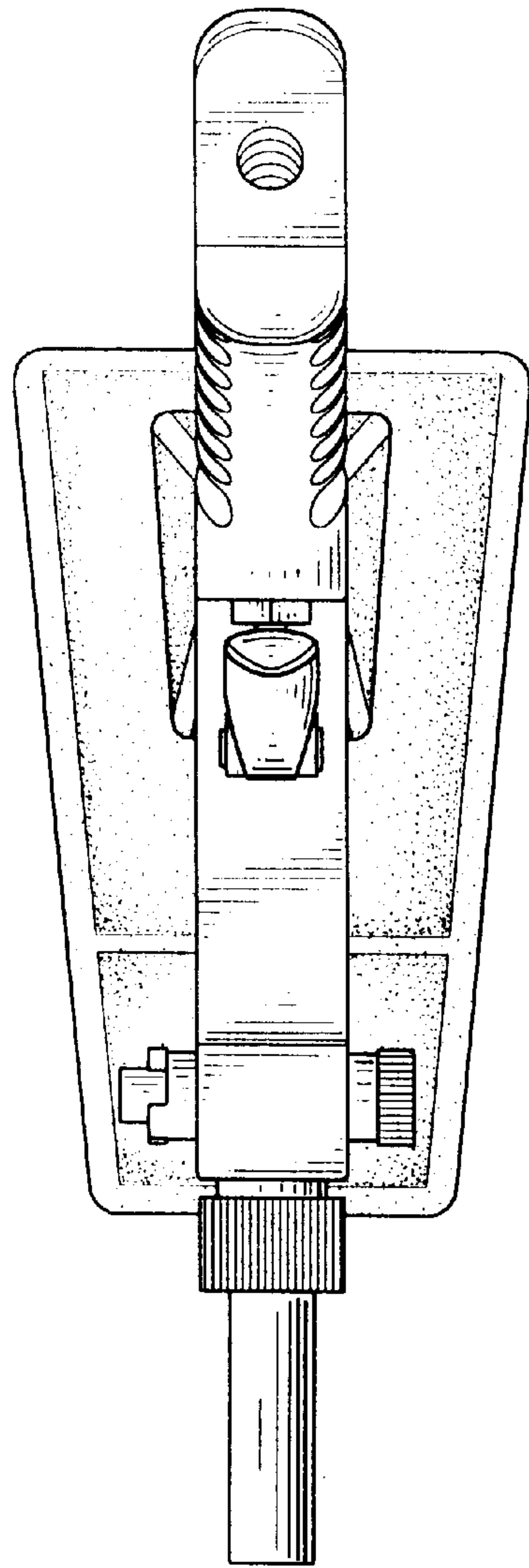


FIG. 7