



US00D449670B1

(12) **United States Design Patent**  
**Carpenter et al.**

(10) **Patent No.:** **US D449,670 S**

(45) **Date of Patent:** **\*\* Oct. 23, 2001**

(54) **SPRAY GUN**

**OTHER PUBLICATIONS**

(75) Inventors: **Scott Carpenter**, Rogers; **Richard Anderson**, Burnsville, both of MN (US)

Spraying Systems co. catalog; 24A Gunjet; Oct. 1963.\*

\* cited by examiner

(73) Assignee: **Wagner Spray Tech Corporation**, Plymouth, MN (US)

*Primary Examiner*—Robin V. Taylor

(74) *Attorney, Agent, or Firm*—Patterson, Thuente, Skaar & Christensen, P.A.

(\*\*) Term: **14 Years**

(21) Appl. No.: **29/121,622**

(57) **CLAIM**

We claim the ornamental design for spray gun, as shown.

(22) Filed: **Apr. 11, 2000**

**DESCRIPTION**

(51) **LOC (7) Cl.** ..... **23-01**

(52) **U.S. Cl.** ..... **D23/226**

(58) **Field of Search** ..... D23/213, 223,  
D23/226; 239/525–528, 690–1

FIG. 1 is a left perspective view of a spray gun according to an embodiment of the invention;

FIG. 2 is a top planform view of a spray gun according to an embodiment of the invention;

FIG. 3 is a bottom planform view of a spray gun according to an embodiment of the invention;

FIG. 4 is a left side elevational view of a spray gun according to an embodiment of the invention;

FIG. 5 is a front elevational view of a spray gun according to an embodiment of the invention;

FIG. 6 is a rear elevational view of a spray gun according to an embodiment of the invention; and,

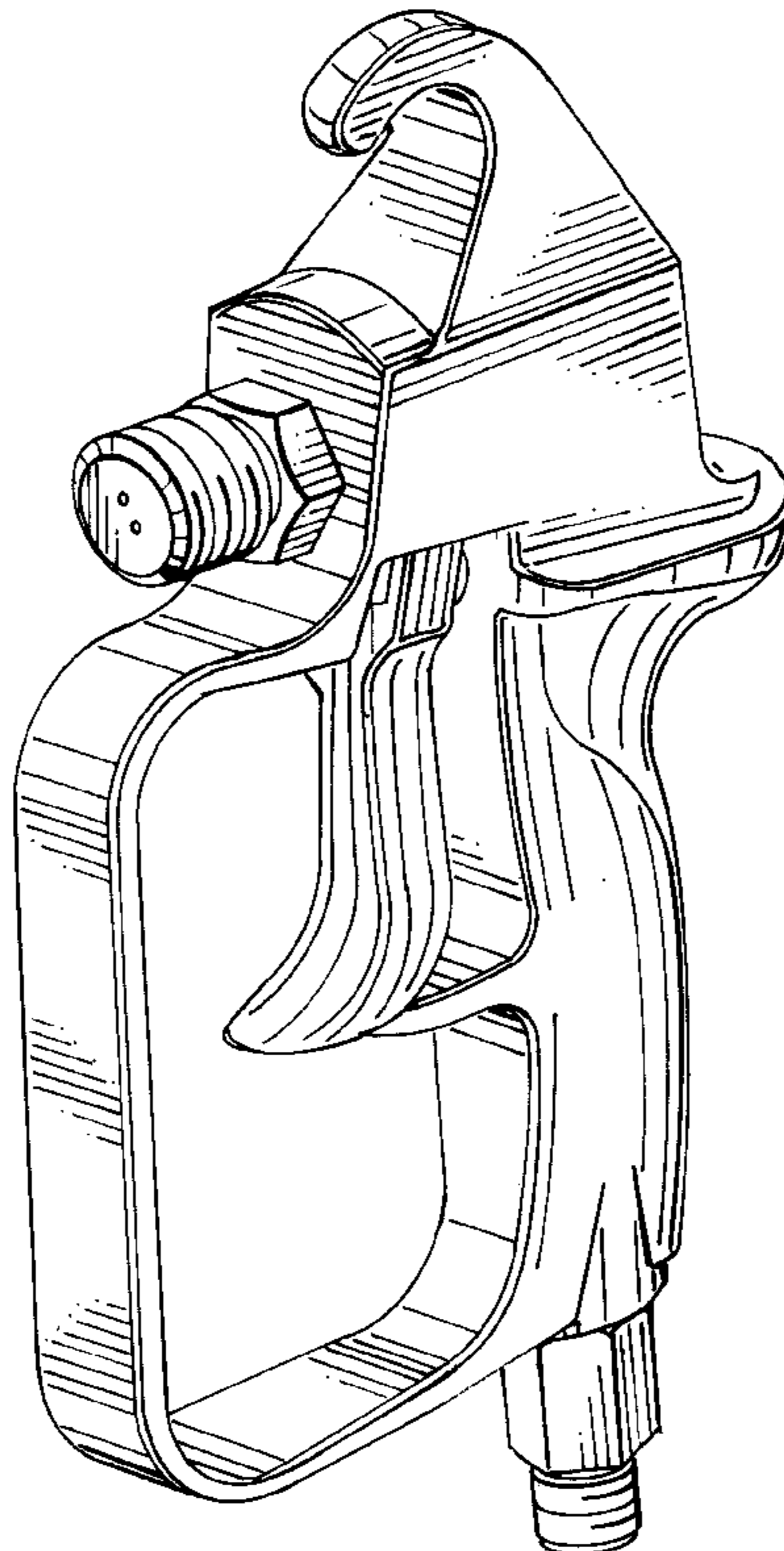
FIG. 7 is a right perspective view of a spray gun according to an embodiment of the invention.

(56) **References Cited**

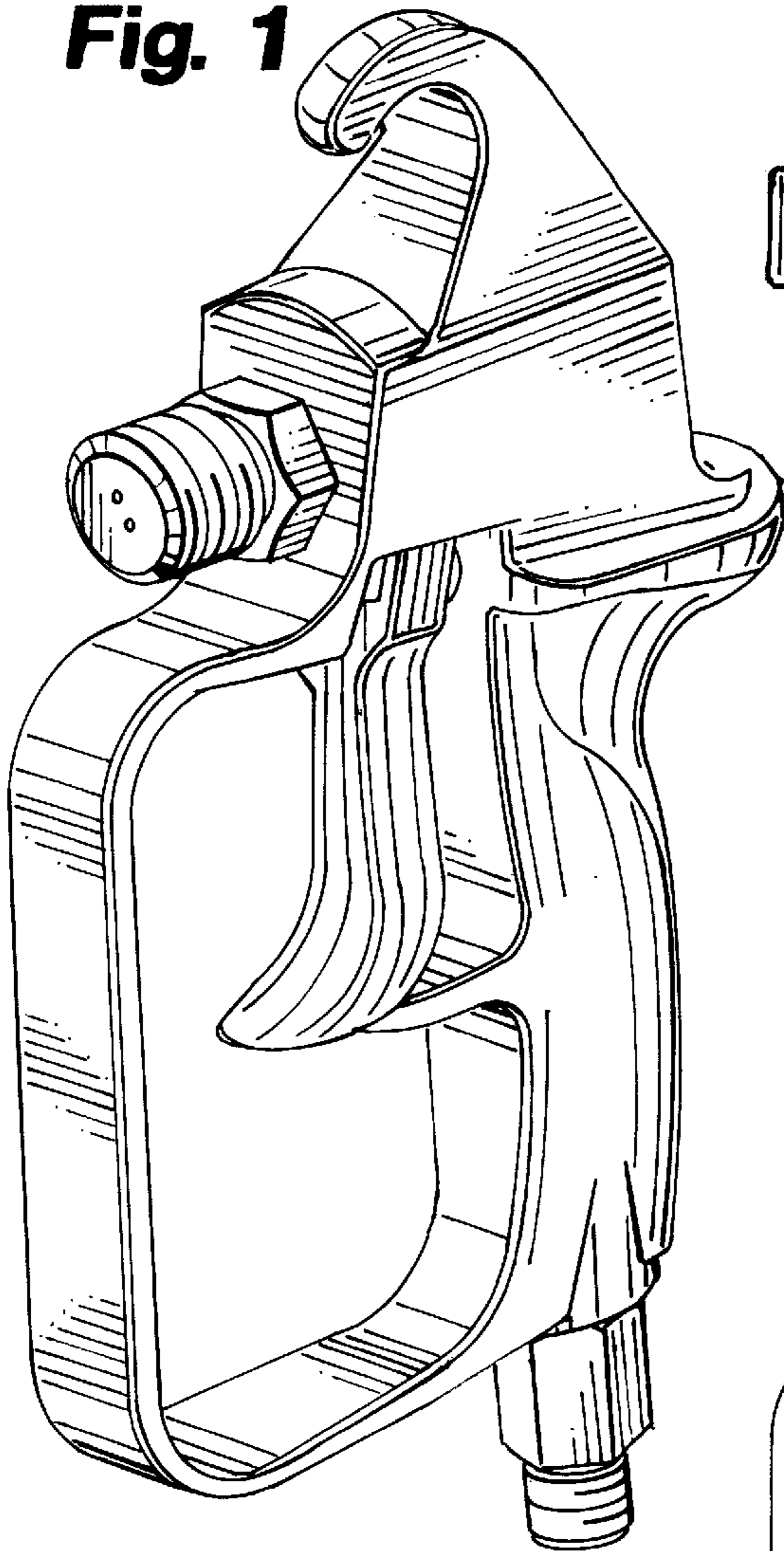
**U.S. PATENT DOCUMENTS**

|            |   |         |                 |       |         |
|------------|---|---------|-----------------|-------|---------|
| D. 387,414 | * | 12/1997 | Kieffer et al.  | ..... | D23/223 |
| 4,160,525  |   | 7/1979  | Wagner .        |       |         |
| 4,162,042  | * | 7/1979  | Mommsen et al.  | ..... | 239/526 |
| 4,560,109  | * | 12/1985 | Teruyuki et al. | ..... | 239/526 |
| 4,995,560  | * | 2/1991  | Lasley et al.   | ..... | 239/691 |
| 5,078,322  |   | 1/1992  | Torntore .      |       |         |
| 5,340,026  | * | 8/1994  | Woodruff        | ..... | 239/526 |
| 5,370,314  |   | 12/1994 | Gebauer .       |       |         |
| 5,494,199  |   | 2/1996  | Anderson .      |       |         |
| 5,497,945  |   | 3/1996  | Steinberg .     |       |         |

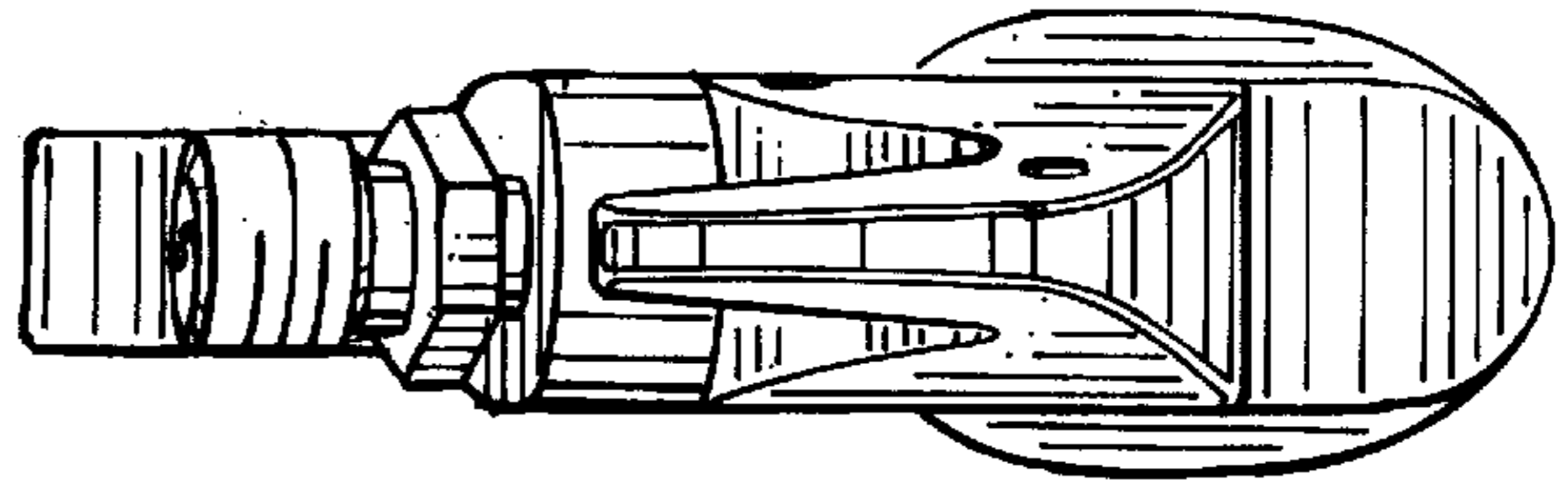
**1 Claim, 2 Drawing Sheets**



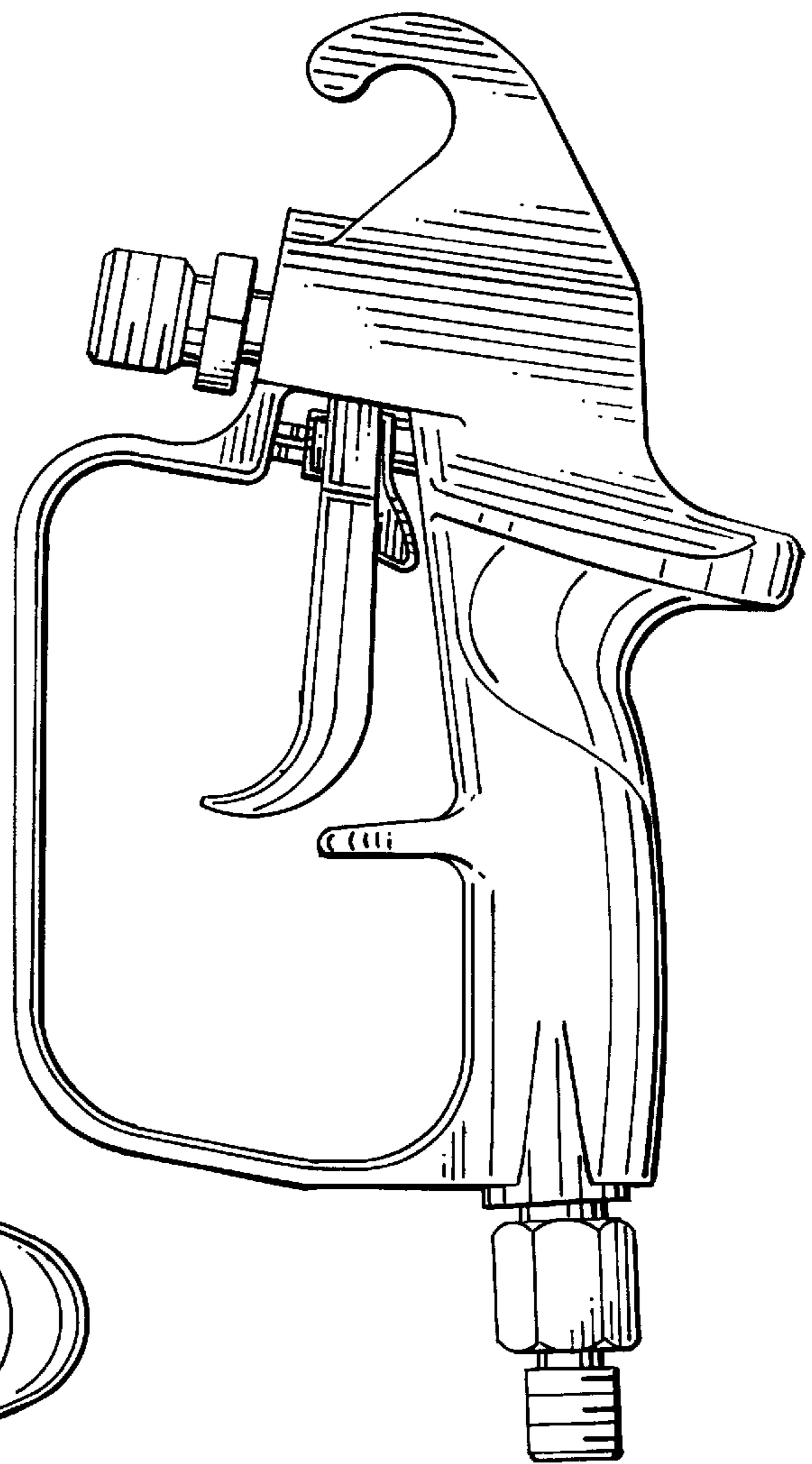
**Fig. 1**



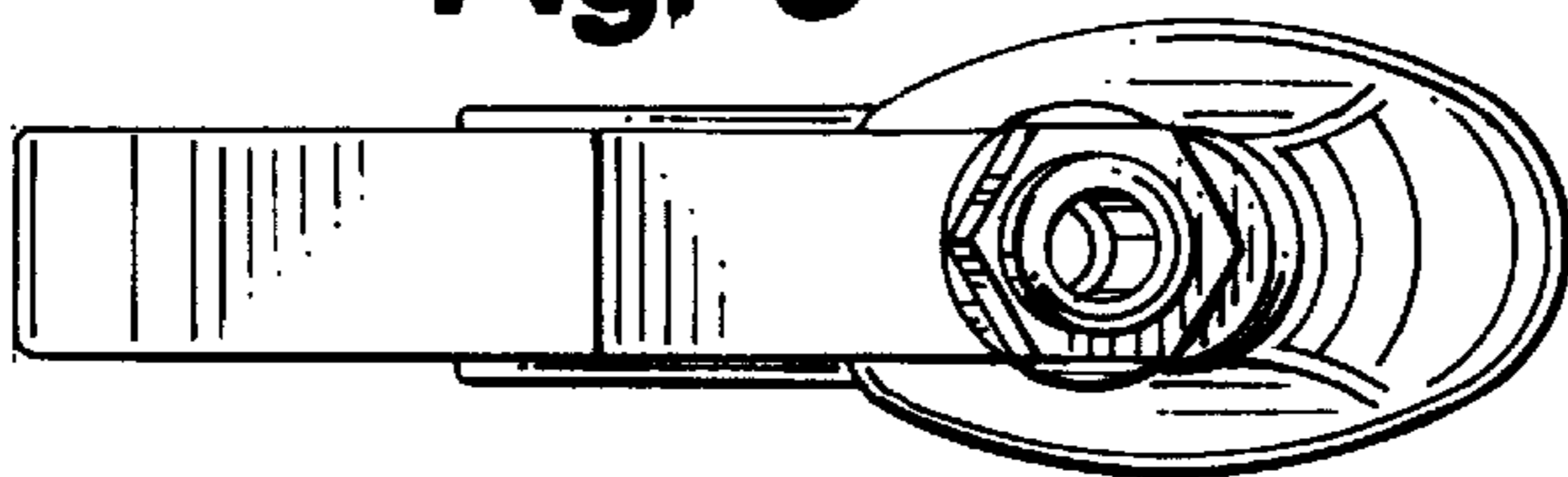
**Fig. 2**



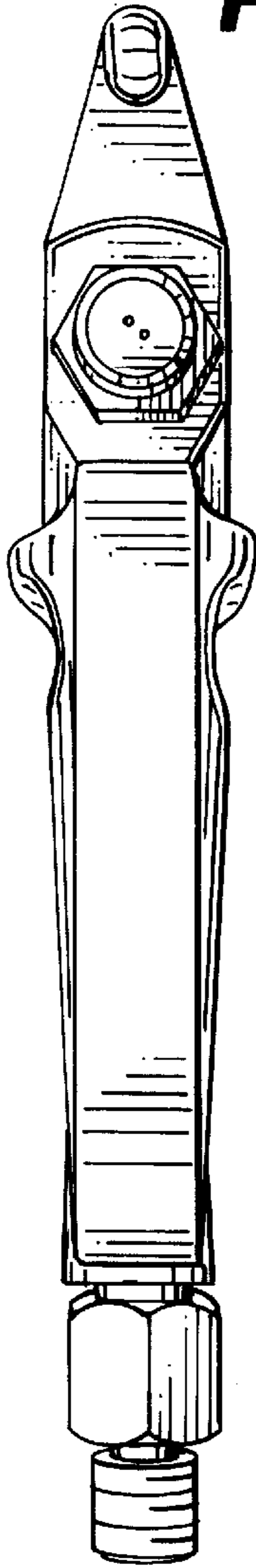
**Fig. 4**



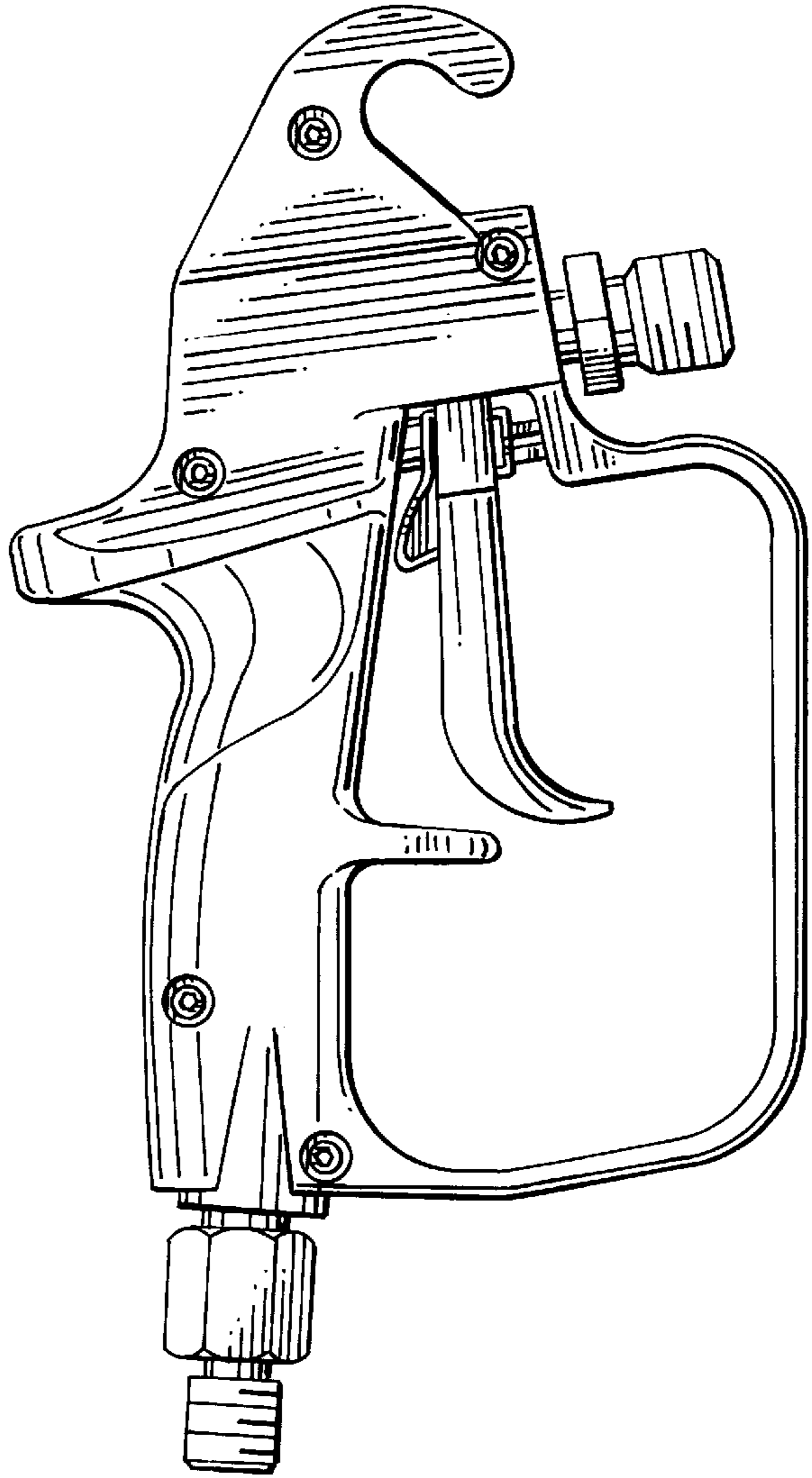
**Fig. 3**



**Fig. 5**



**Fig. 7**



**Fig. 6**

