



US00D449669B2

(12) **United States Design Patent**
sik-bun

(10) **Patent No.:** **US D449,669 S**

(45) **Date of Patent:** **** Oct. 23, 2001**

(54) **SKYROCKET**

3,427,976 * 2/1969 Lucy 102/507

(76) Inventor: **Mak sik-bun**, Room 2202, Kippo
Centre, Tower 1, 89 Queensway (HK)

* cited by examiner

(**) Term: **14 Years**

Primary Examiner—Louis S. Zarfes

Assistant Examiner—Monica A. Weingart

(21) Appl. No.: **29/135,848**

(74) *Attorney, Agent, or Firm*—Hovey, Williams, Timmons
& Collins

(22) Filed: **Jan. 19, 2001**

(57) **CLAIM**

(51) **LOC (7) Cl.** **22-03**

The ornamental design for a skyrocket, as shown and
described.

(52) **U.S. Cl.** **D22/112**

(58) **Field of Search** D22/100, 112,
D22/119; D21/436, 452; 102/334, 335,
336, 347, 349, 361, 507, 519; 446/399,
400

DESCRIPTION

(56) **References Cited**

FIG. 1 is a prospective view of the skyrocket of the present
invention, a guide stick being shown in dashed lines for
showing the environment of use and not forming a part of
the design hereof;

FIG. 2 is a front elevational view thereof;

FIG. 3 is a left side elevational view, the right side eleva-
tional view being a mirror image thereof;

FIG. 4 is a rear elevational view thereof;

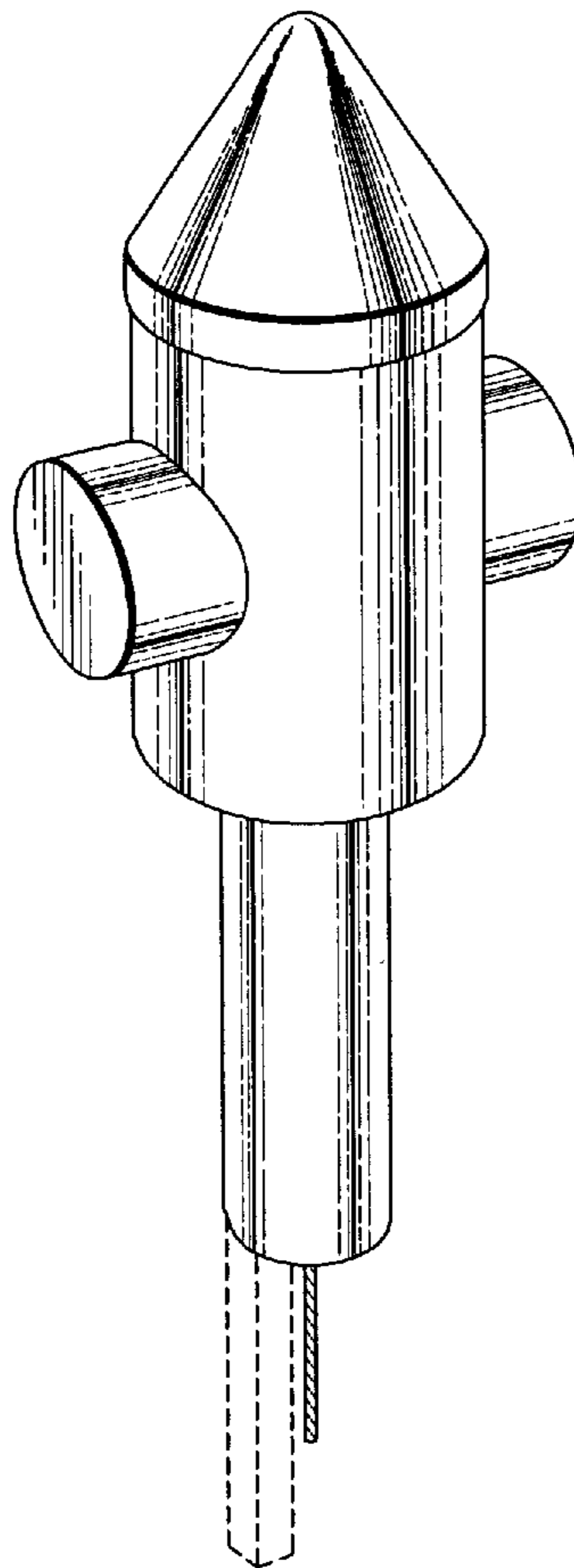
FIG. 5 is a top plan view thereof; and,

FIG. 6 is a bottom view thereof.

U.S. PATENT DOCUMENTS

- D. 283,242 * 4/1986 Wang D22/112
- D. 409,709 * 5/1999 Cheung D22/100 X
- D. 412,731 * 8/1999 Cheung D22/112
- 480,012 * 8/1892 Hand et al. 102/336
- 2,087,281 * 7/1937 Fabrizio 102/361
- 2,588,184 * 3/1952 Walsh D21/452

1 Claim, 1 Drawing Sheet



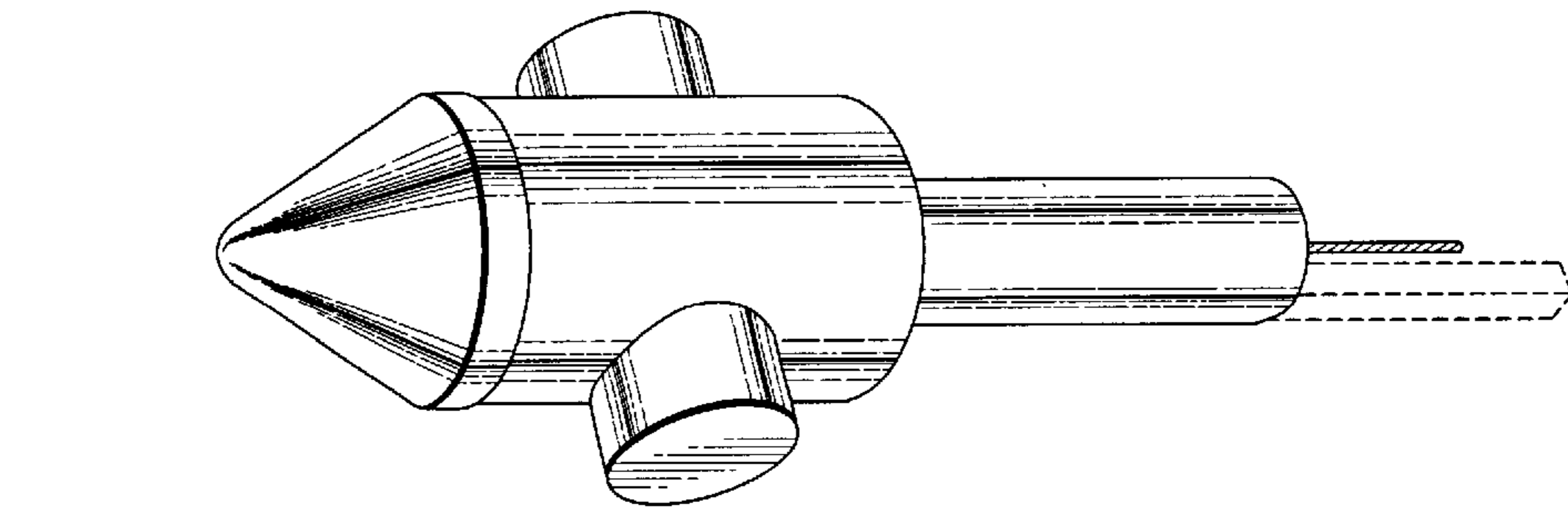


Fig. 1.

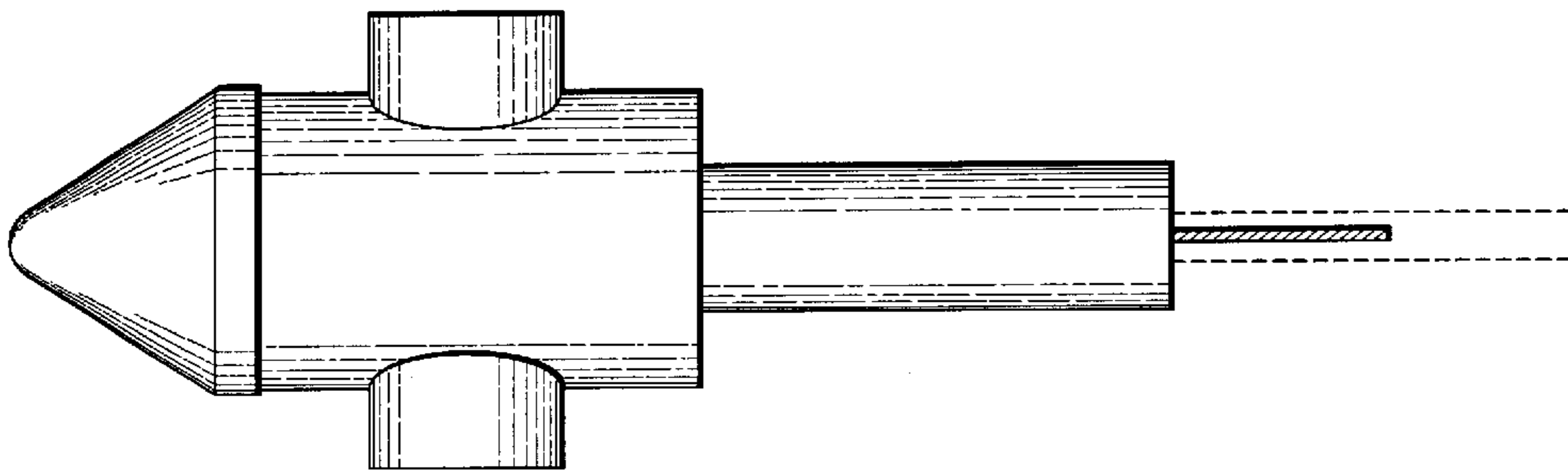


Fig. 2.

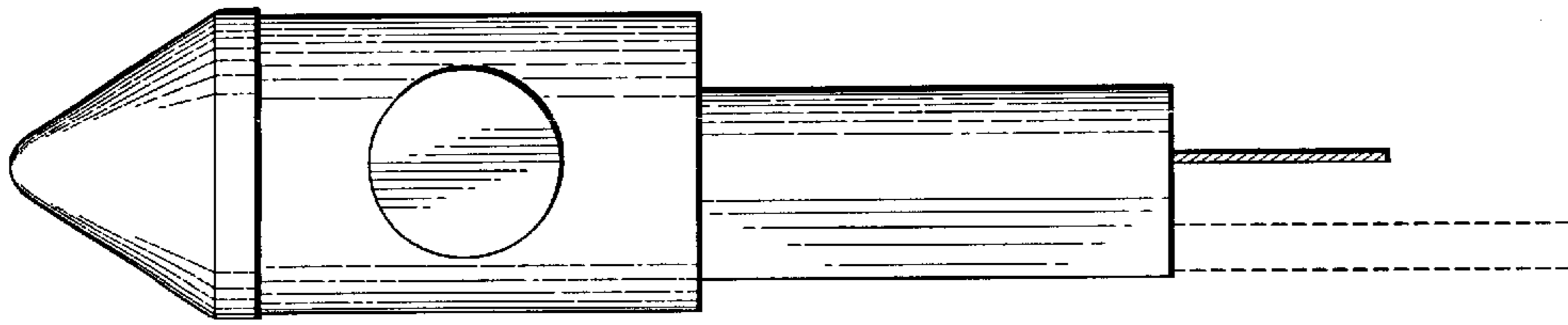


Fig. 3.

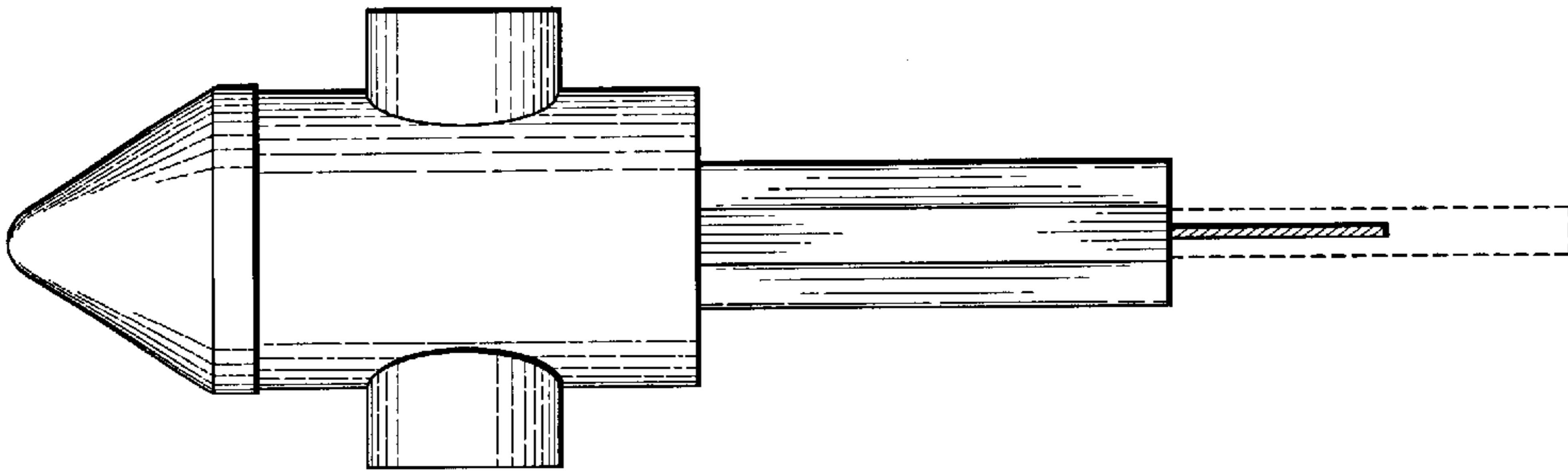


Fig. 4.

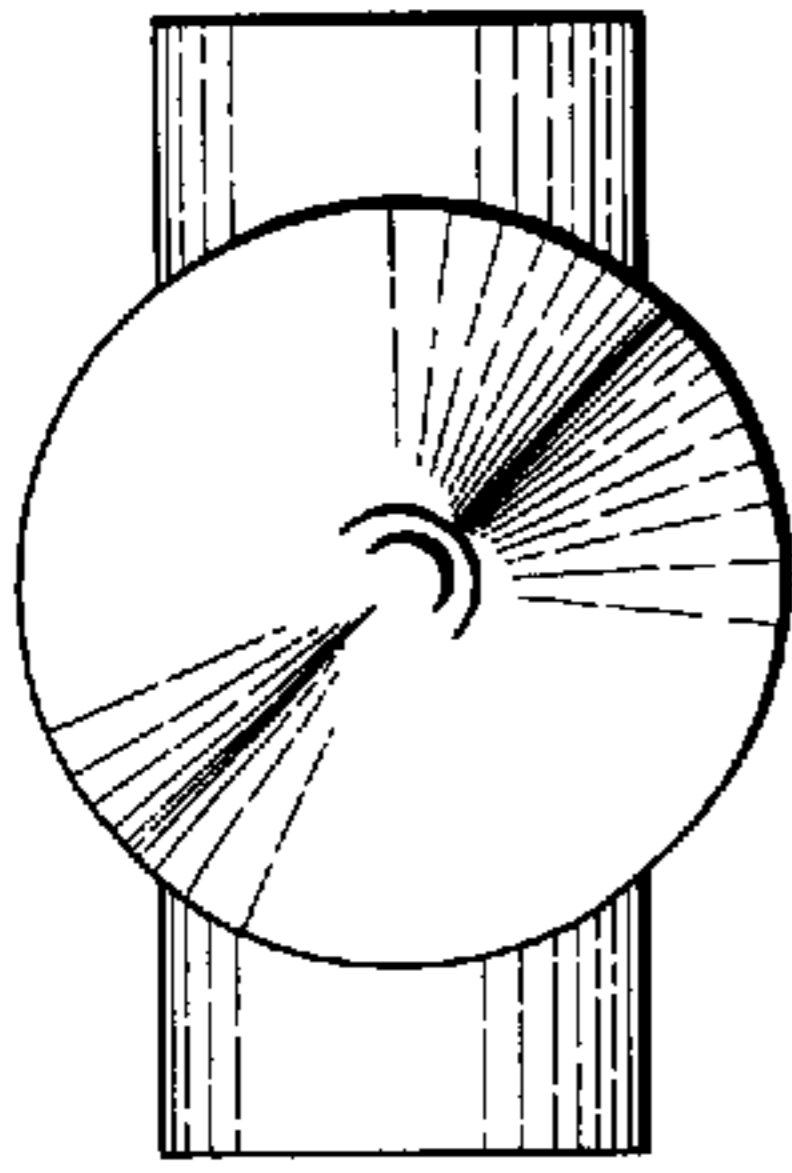


Fig. 5.

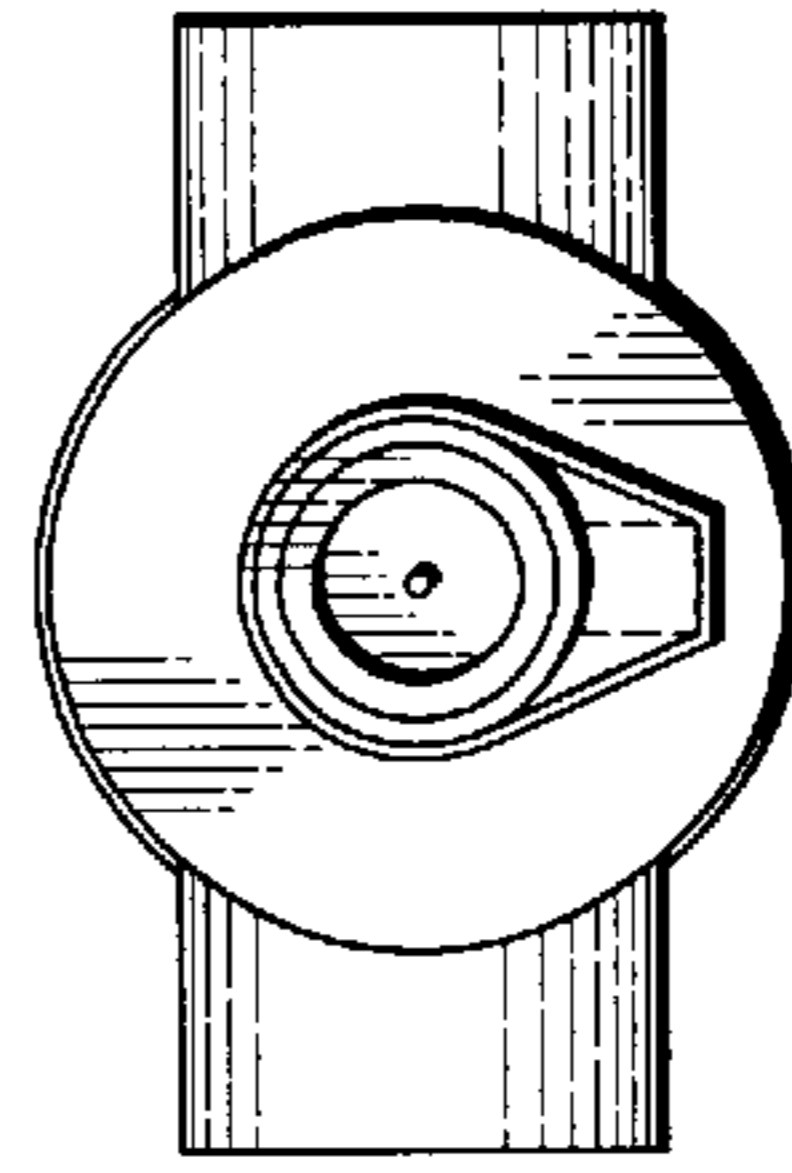


Fig. 6.