



US00D449668B1

(12) **United States Design Patent**
Gangl, Jr.

(10) **Patent No.:** **US D449,668 S**

(45) **Date of Patent:** **** Oct. 23, 2001**

(54) **RECOIL REDUCER FOR FIREARMS**

(76) **Inventor:** **John P. Gangl, Jr.**, 279 Timberline Trail, St. Paul, MN (US) 55127

(**) **Term:** **14 Years**

(21) **Appl. No.:** **29/107,949**

(22) **Filed:** **Jul. 15, 1999**

(51) **LOC (7) Cl.** **22-01**

(52) **U.S. Cl.** **D22/111**

(58) **Field of Search** D22/100, 108,
D22/111, 199; 42/1.06

(56) **References Cited**

U.S. PATENT DOCUMENTS

D. 390,303	*	2/1998	Bullock	D22/111
2,073,755	*	3/1937	Poate	42/1.06
3,105,411	*	10/1963	Browning	42/1.06
3,191,330	*	6/1965	Olson	42/1.06
3,417,660	*	12/1968	Harbrecht	42/1.06
4,156,979	*	6/1979	Katsenes	42/1.06

* cited by examiner

Primary Examiner—Louis S. Zarfaz

Assistant Examiner—Monica A. Weingart

(74) *Attorney, Agent, or Firm*—Anthony G. Eggink

(57) **CLAIM**

The ornamental design for a recoil reducer for firearms, as shown and described.

DESCRIPTION

FIG. 1 is a perspective view taken from the top and rear of the recoil reducer for firearms showing my new design;

FIG. 2 is a front elevational view of the recoil reducer for firearms of my invention;

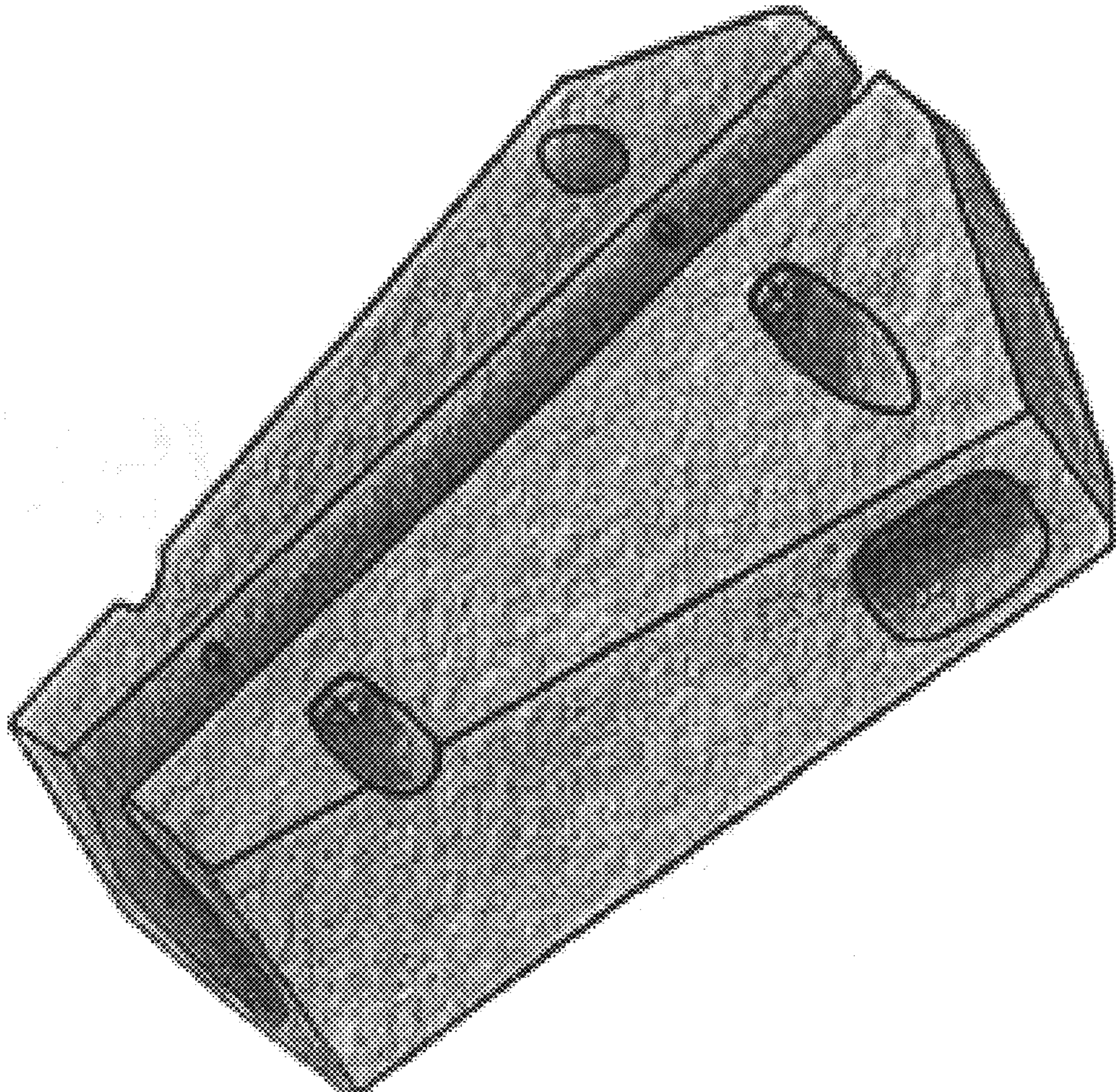
FIG. 3 is a rear elevational view thereof;

FIG. 4 is a side elevational view thereof, the opposite side being a mirror image thereof;

FIG. 5 is a top elevational view thereof; and,

FIG. 6 is a bottom elevational view thereof.

1 Claim, 1 Drawing Sheet



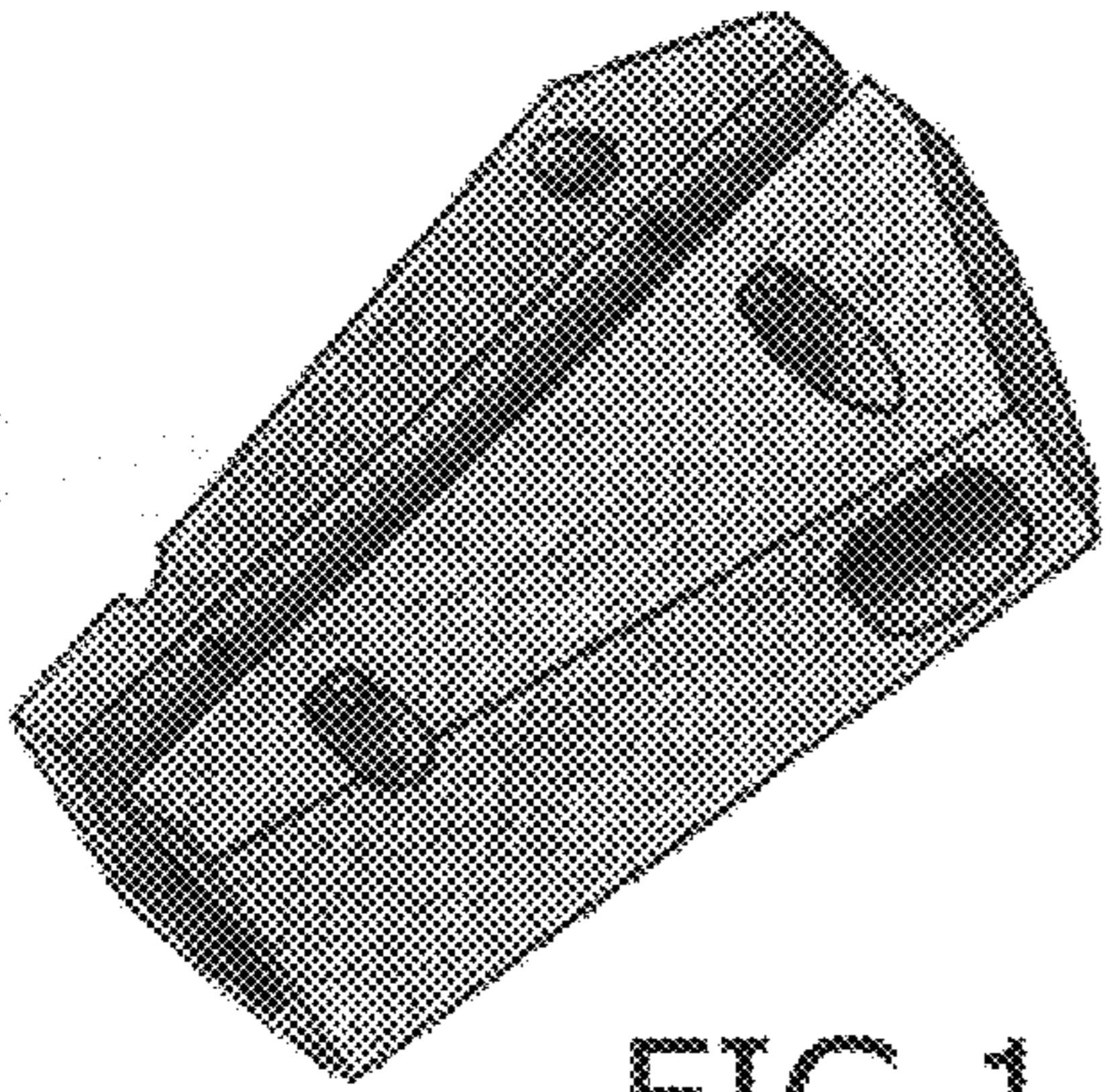


FIG 1

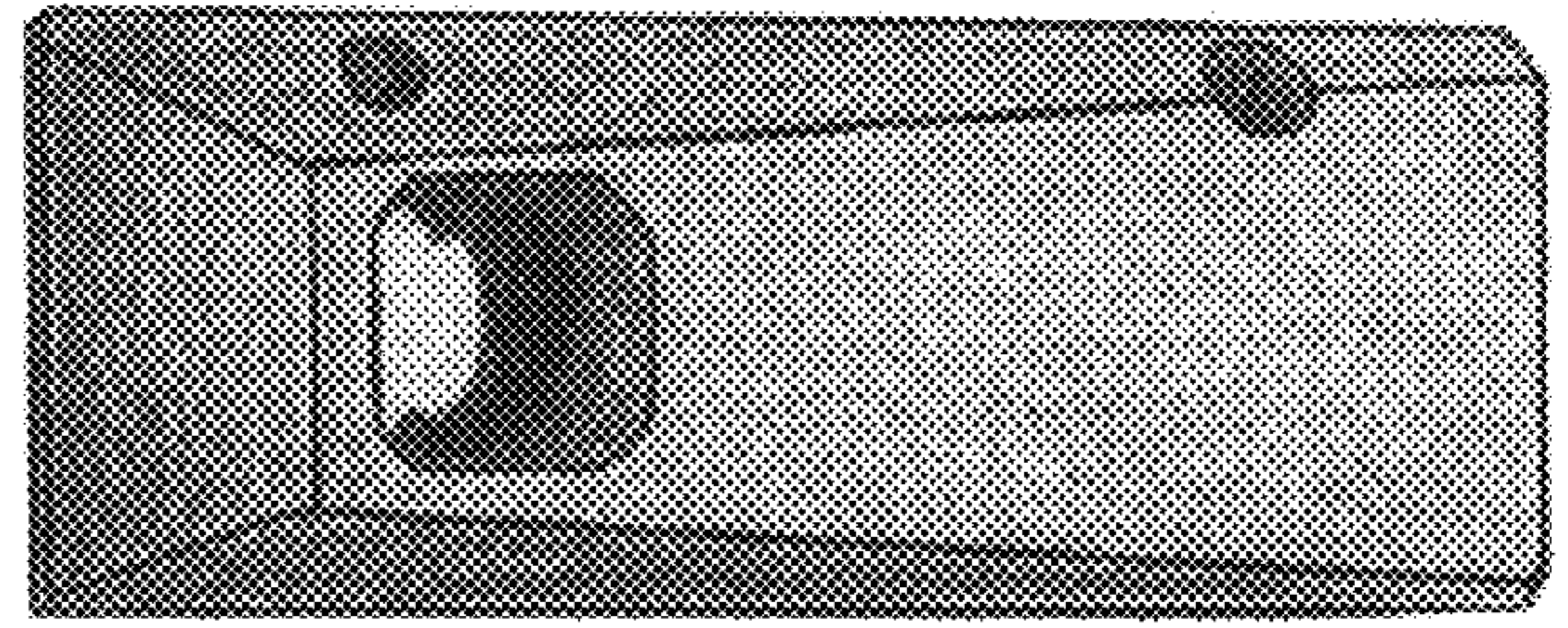


FIG 4

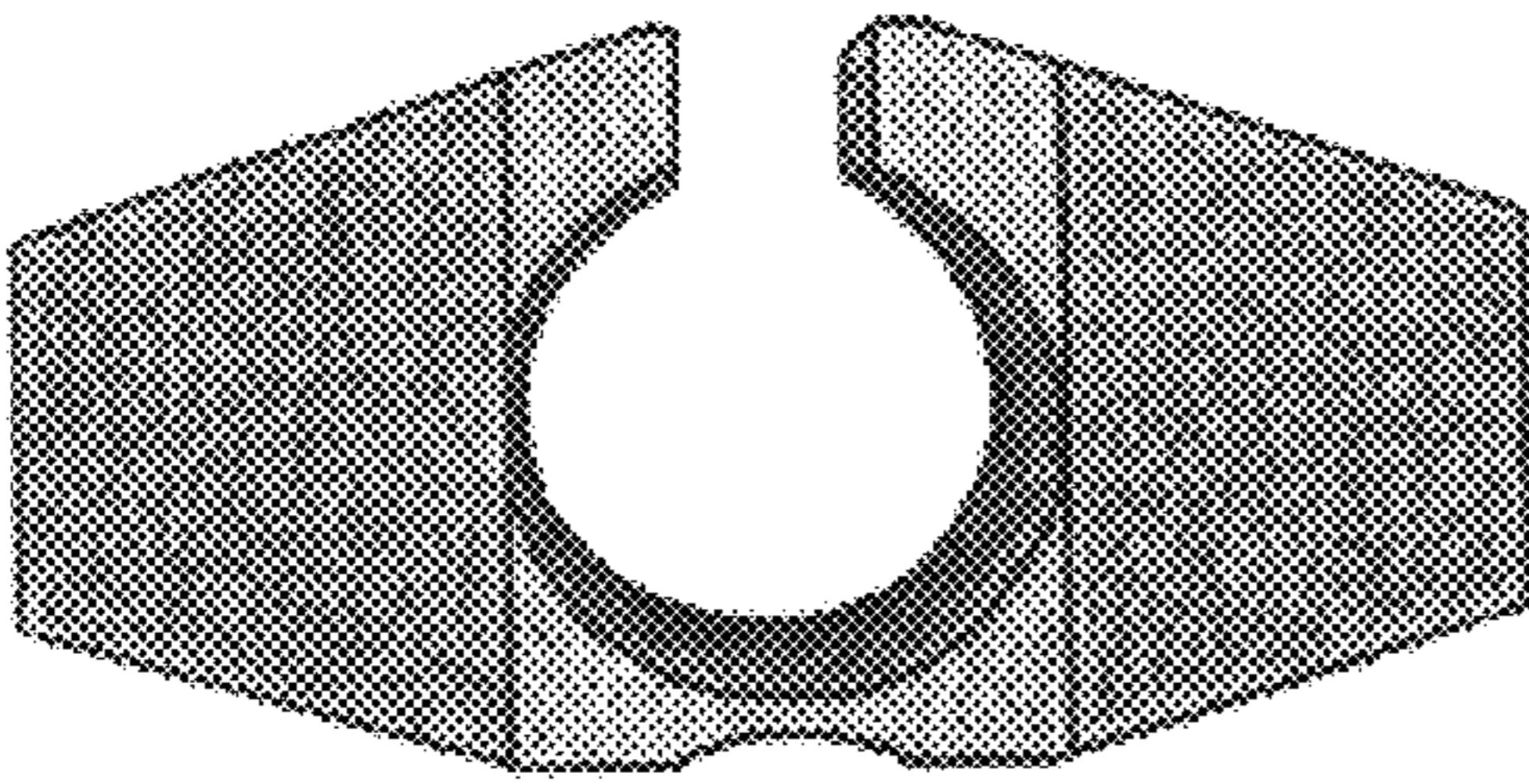


FIG 2

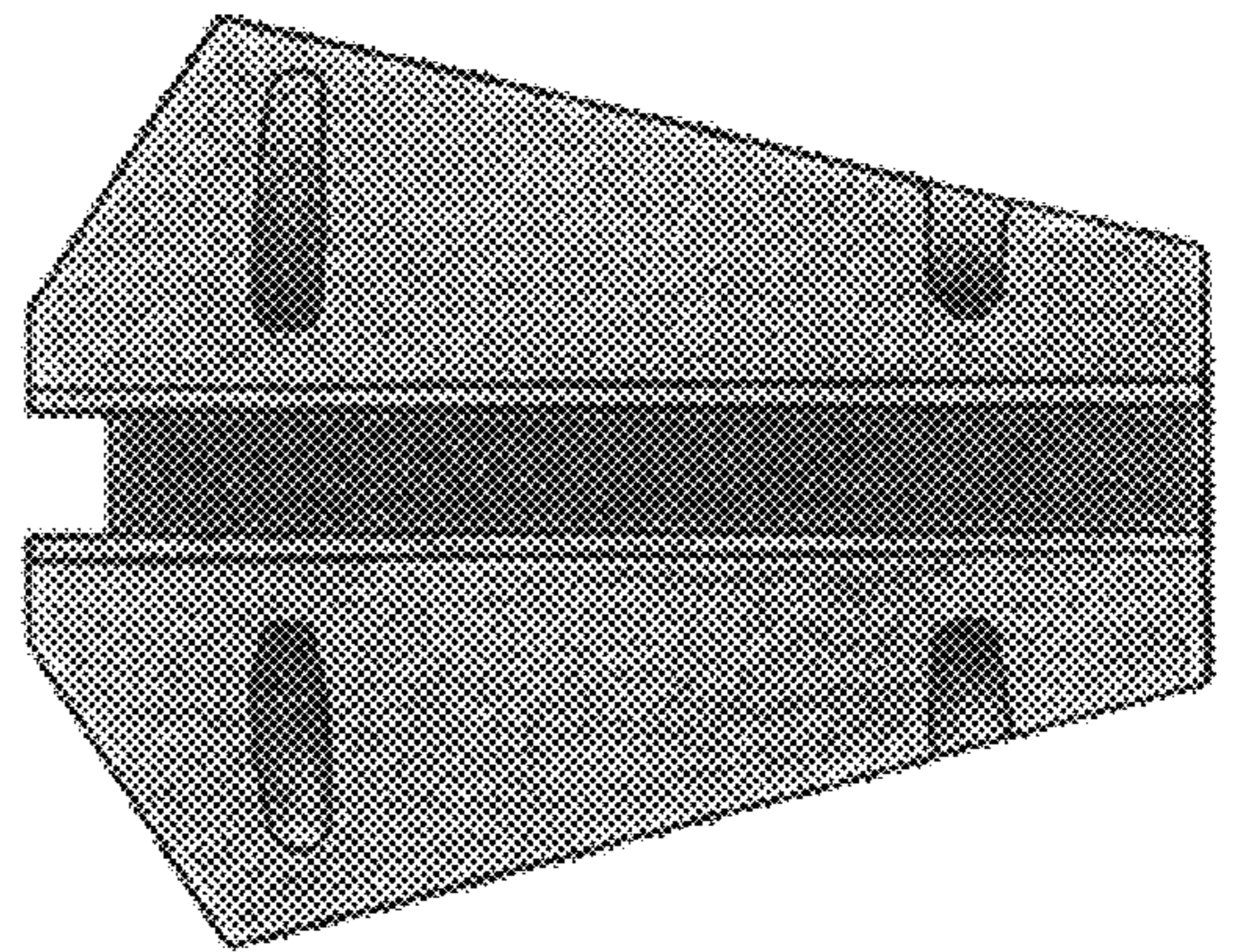


FIG 5

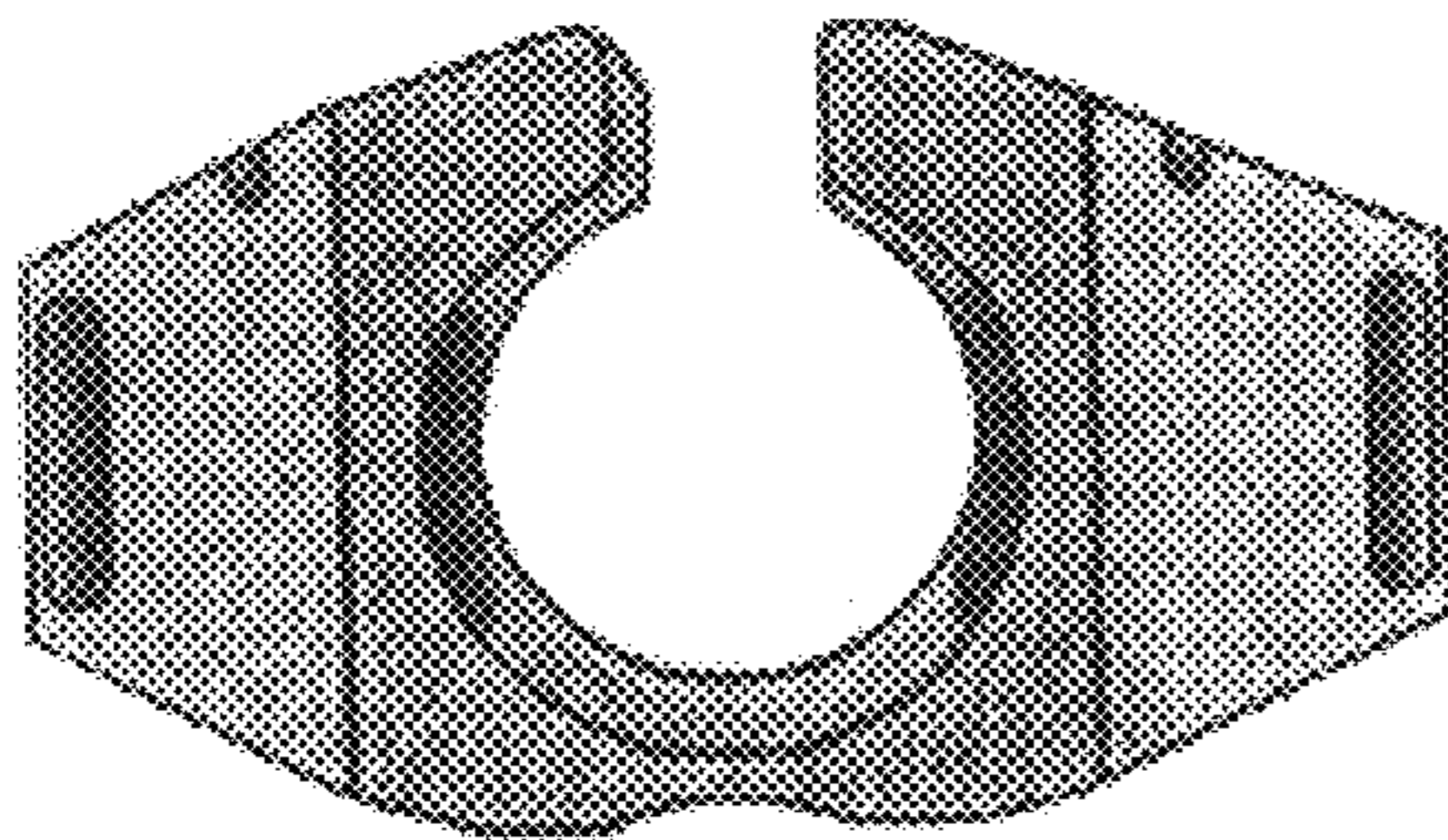


FIG 3

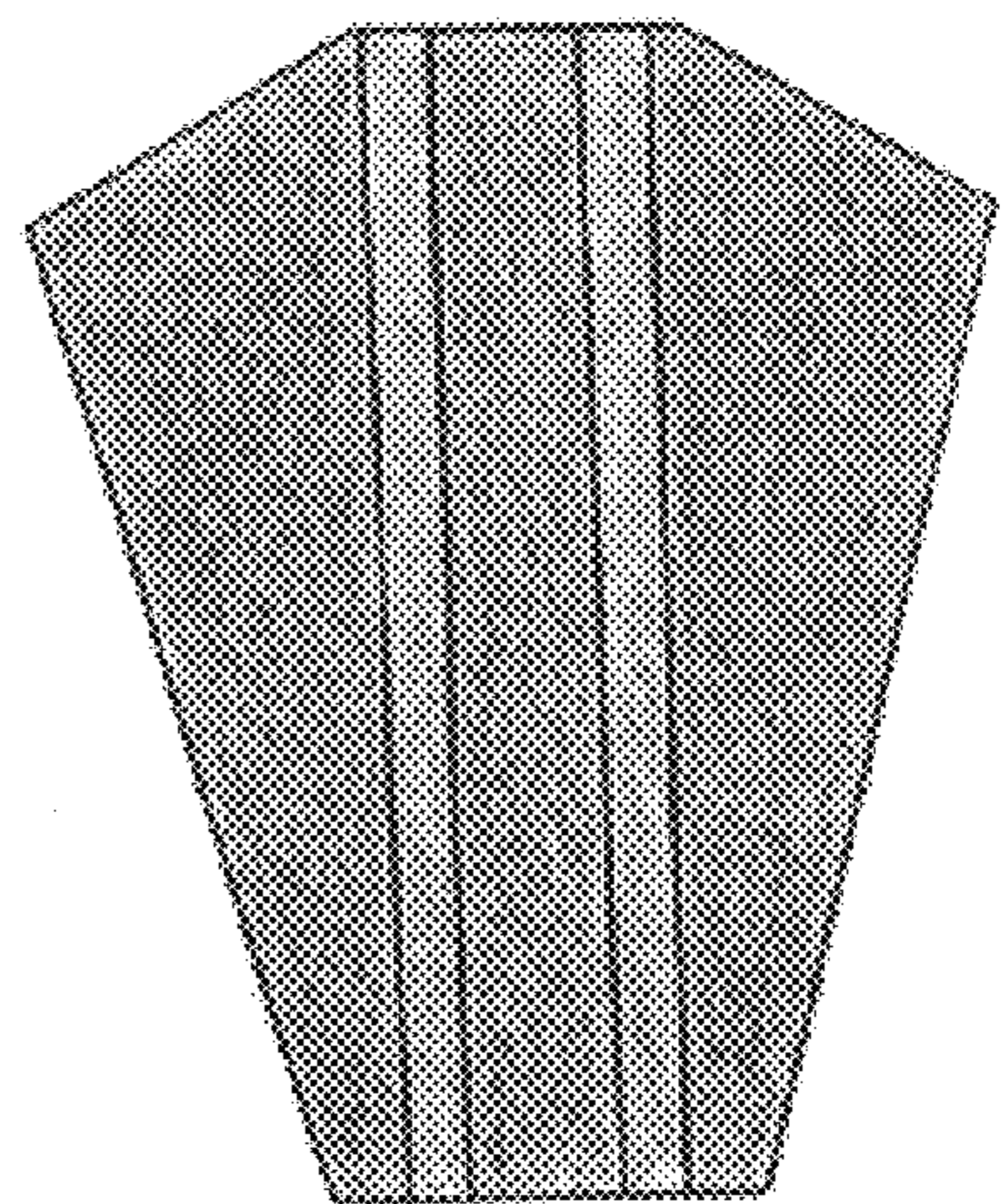


FIG 6