



US00D449666B1

(12) **United States Design Patent** (10) **Patent No.:** **US D449,666 S**
McGee (45) **Date of Patent:** **** Oct. 23, 2001**

(54) **GOLF BALL CLEANER**

(74) *Attorney, Agent, or Firm*—Rossi & Associates

(76) *Inventor:* **Sean McGee**, 36 Crozon Crescent,
Pearse Road, Sligo (IE)

(57) **CLAIM**

(**) *Term:* **14 Years**

I claim an ornamental design for a golf ball cleaner, as shown and described.

(21) *Appl. No.:* **29/120,801**

DESCRIPTION

(22) *Filed:* **Mar. 27, 2000**

FIG. 1 is an exploded front perspective view of a golf ball cleaner;

(30) **Foreign Application Priority Data**

Sep. 30, 1999 (IE) 451/99

FIG. 2 is an exploded rear perspective view thereof;

(51) **LOC (7) Cl.** **21-02**

(52) **U.S. Cl.** **D21/789**

FIG. 3 is an exploded top perspective view thereof;

(58) **Field of Search** D21/789; D32/1,
D32/25; 15/104.92, 21.2, 97.1, 160; 206/315.9

FIG. 4 is an enlarged bottom front perspective view of the cover portion;

(56) **References Cited**

U.S. PATENT DOCUMENTS

D. 228,799	*	10/1973	Roddy	D21/795
D. 371,413	*	7/1996	Crausby et al.	D21/795
D. 387,117	*	12/1997	Danyluk	D21/795
D. 422,330	*	4/2000	Divell	D21/789
D. 431,624	*	10/2000	Colonello	D21/789
4,381,574	*	5/1983	Benkovsky	15/97.1
5,572,761	*	11/1996	Meyer	15/21.2

FIG. 5 is a bottom rear perspective view of the base portion;
FIG. 6 is an enlarged rear perspective view of the base portion;

FIG. 7 is a front elevational view of FIG. 4;

FIG. 8 is a rear elevational view of FIG. 4;

FIG. 9 is a top plan view of FIG. 4;

FIG. 10 is a bottom plan view of FIG. 4;

FIG. 11 is a side view of FIG. 4;

FIG. 12 is an opposite view of FIG. 11;

FIG. 13 is a front elevational view of FIG. 6;

FIG. 14 is a rear elevational view of FIG. 6;

FIG. 15 is a top plan view of FIG. 6;

FIG. 16 is a bottom plan view of FIG. 6;

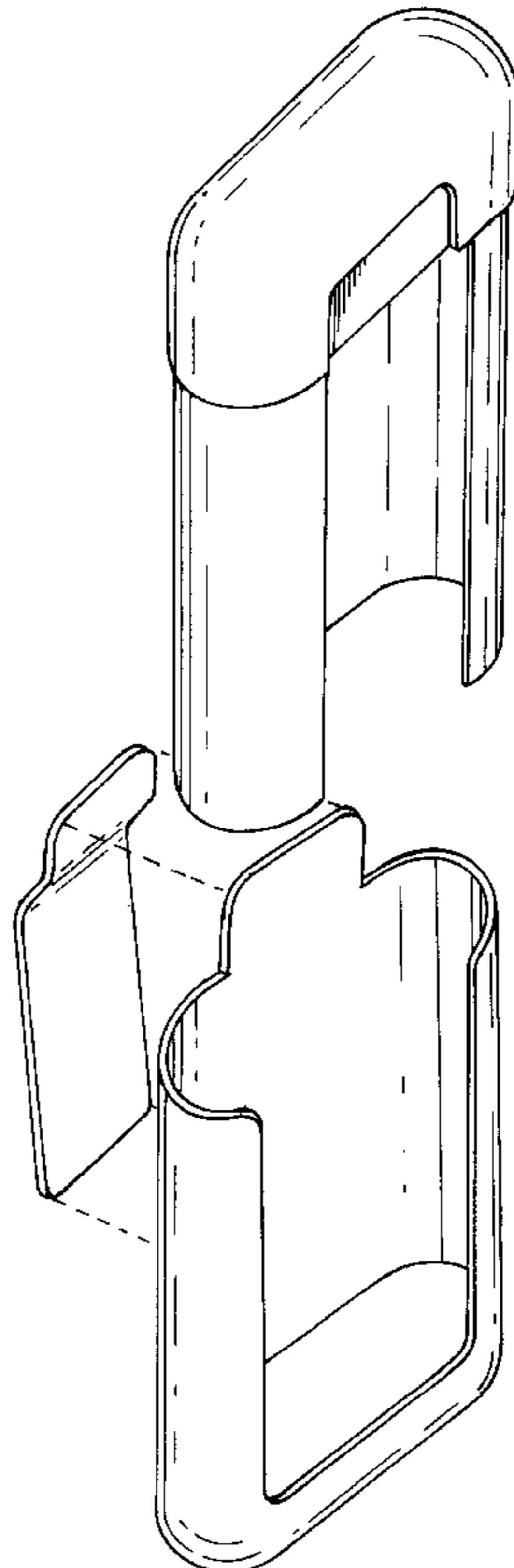
FIG. 17 is a side view of FIG. 6; and,

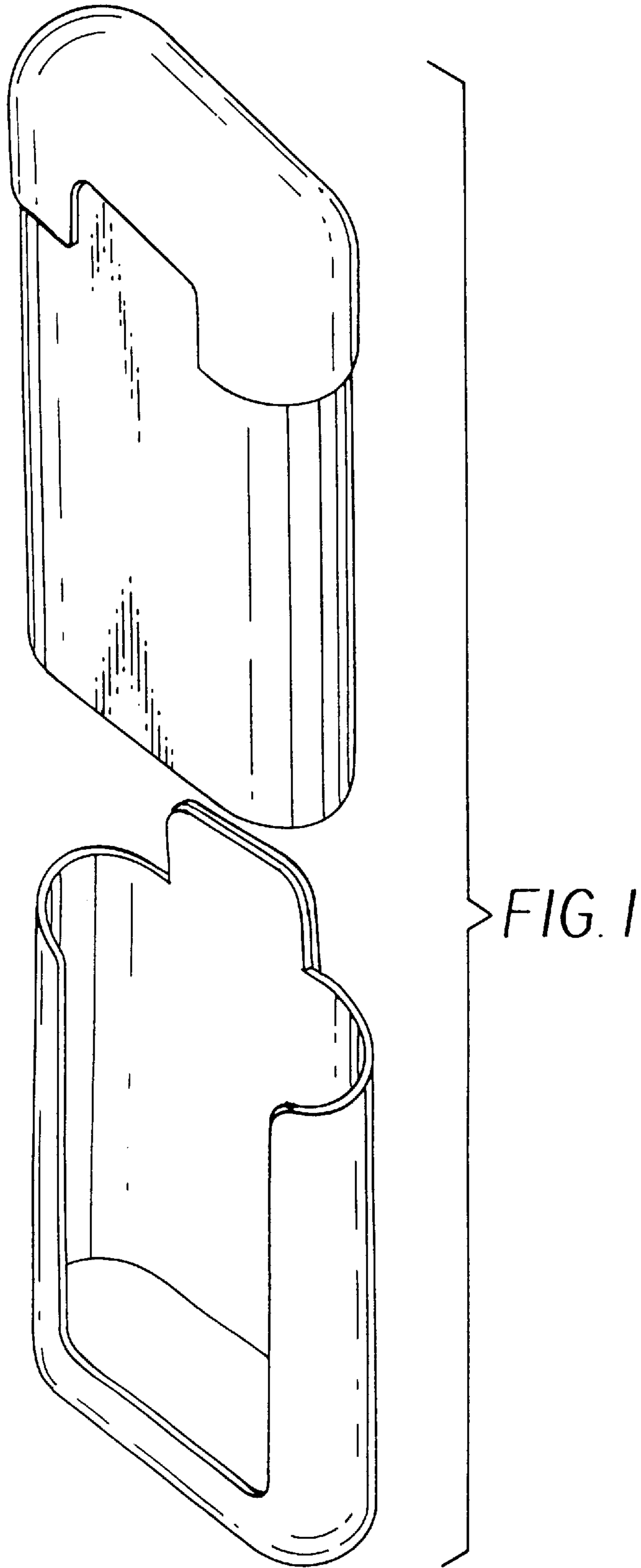
FIG. 18 is an opposite view of FIG. 17.

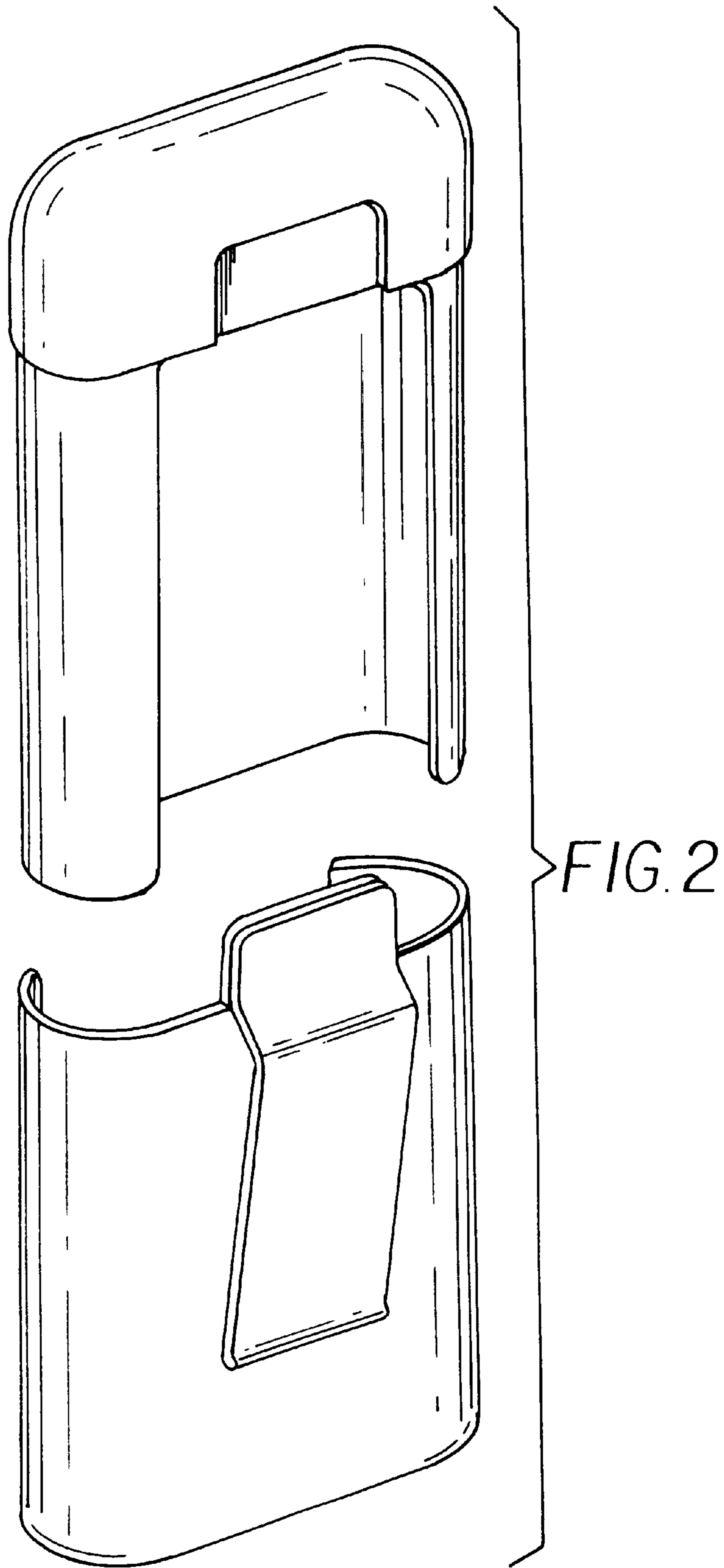
* cited by examiner

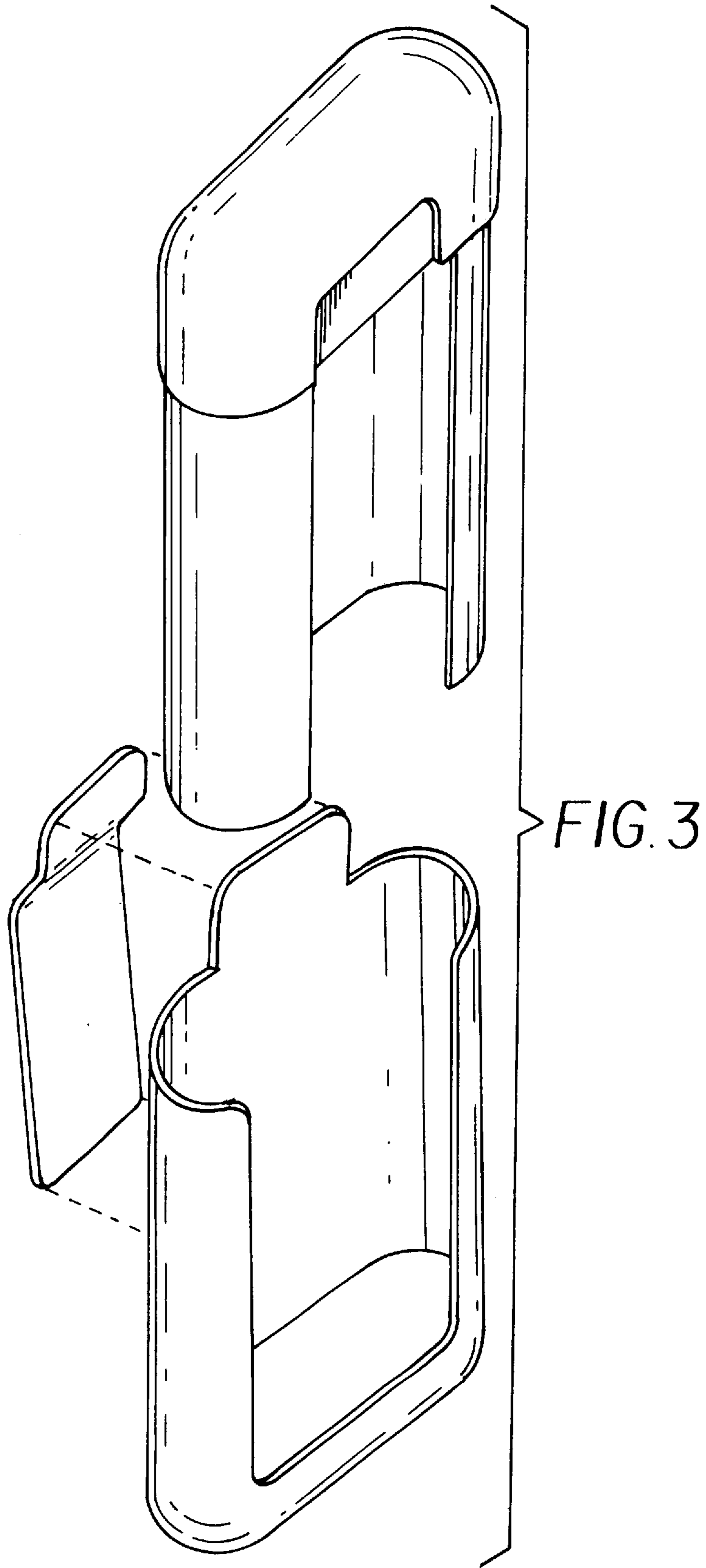
Primary Examiner—Mitchell Siegel

1 Claim, 9 Drawing Sheets









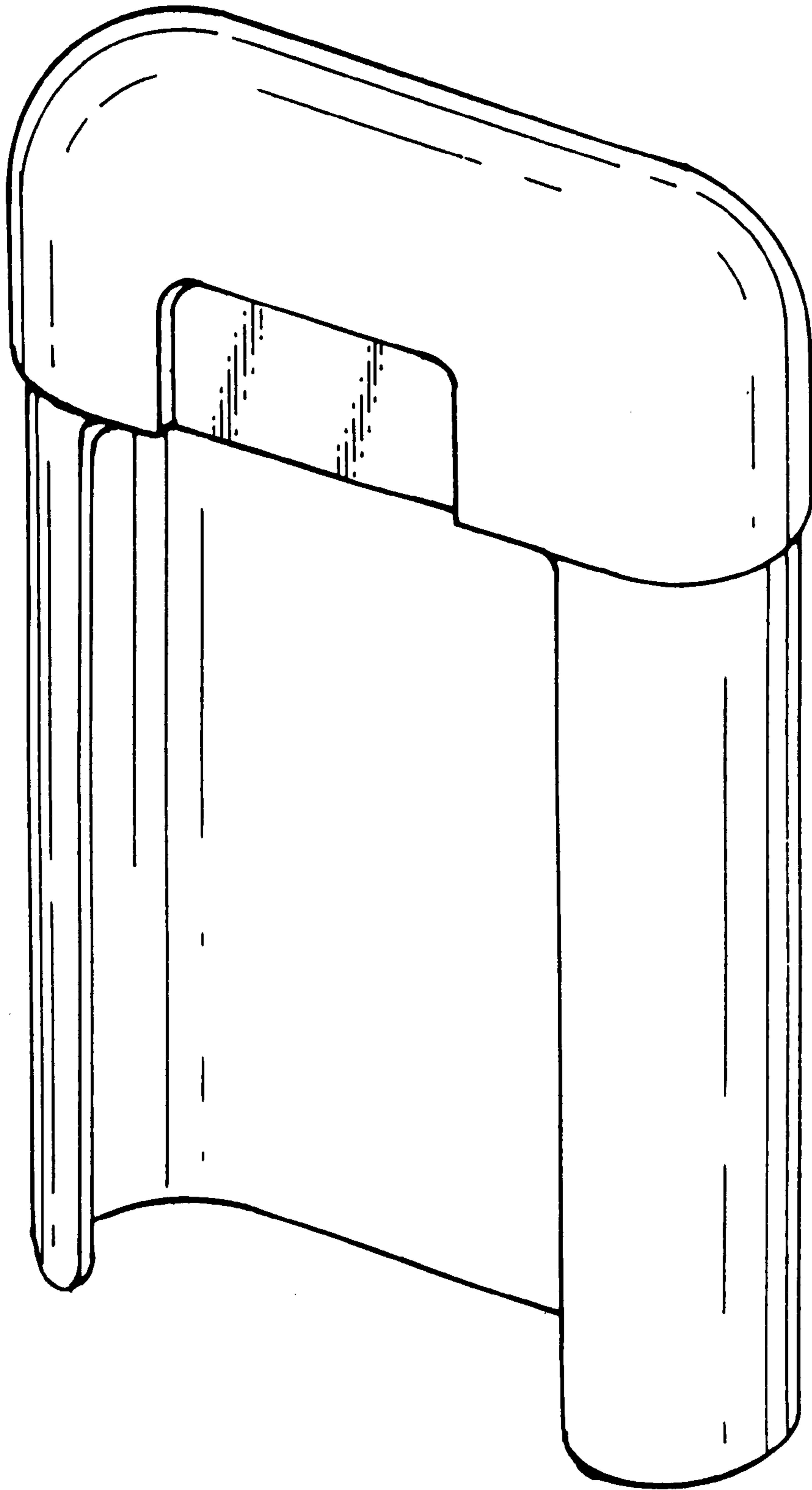


FIG. 4

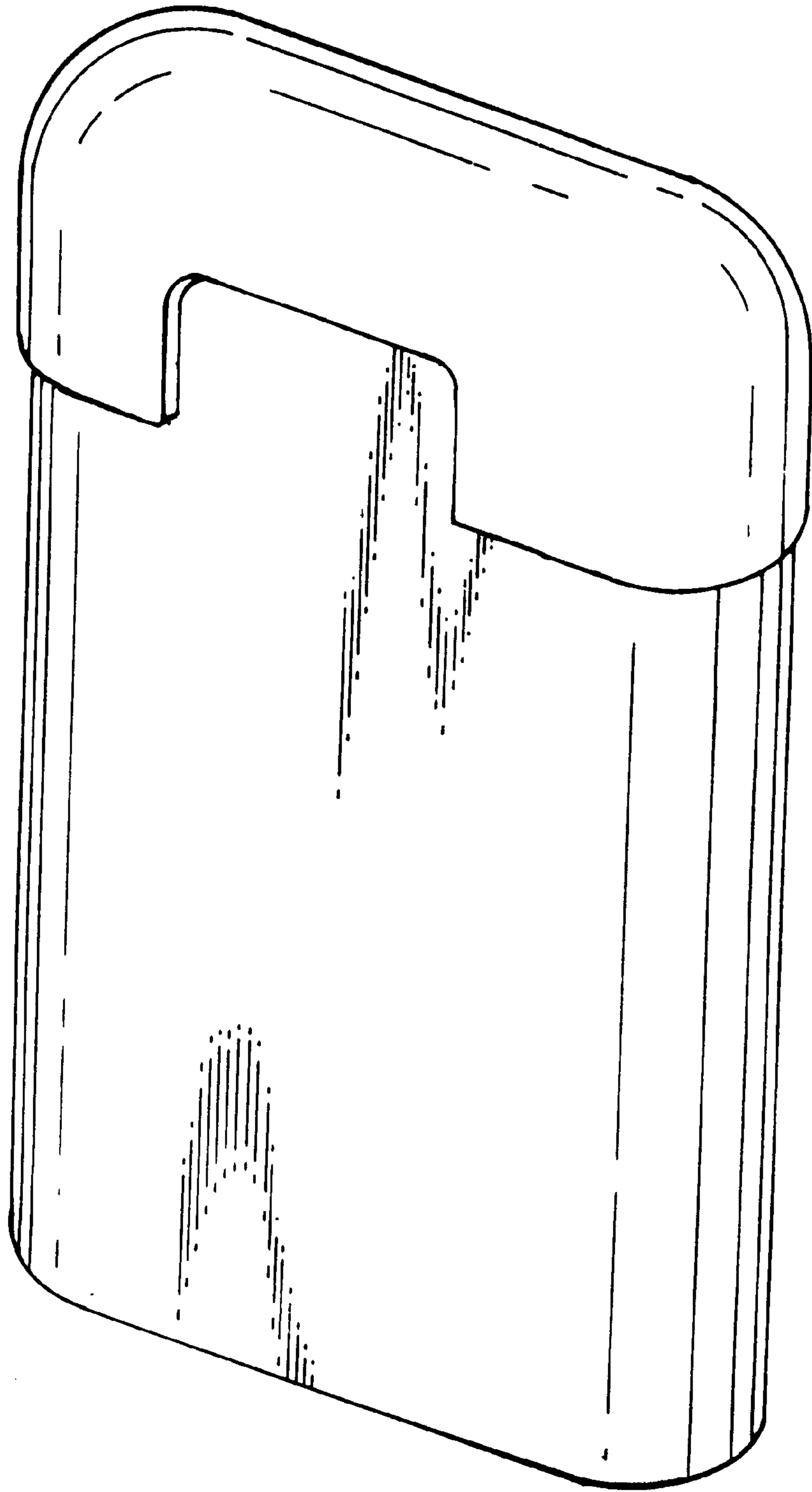


FIG. 5

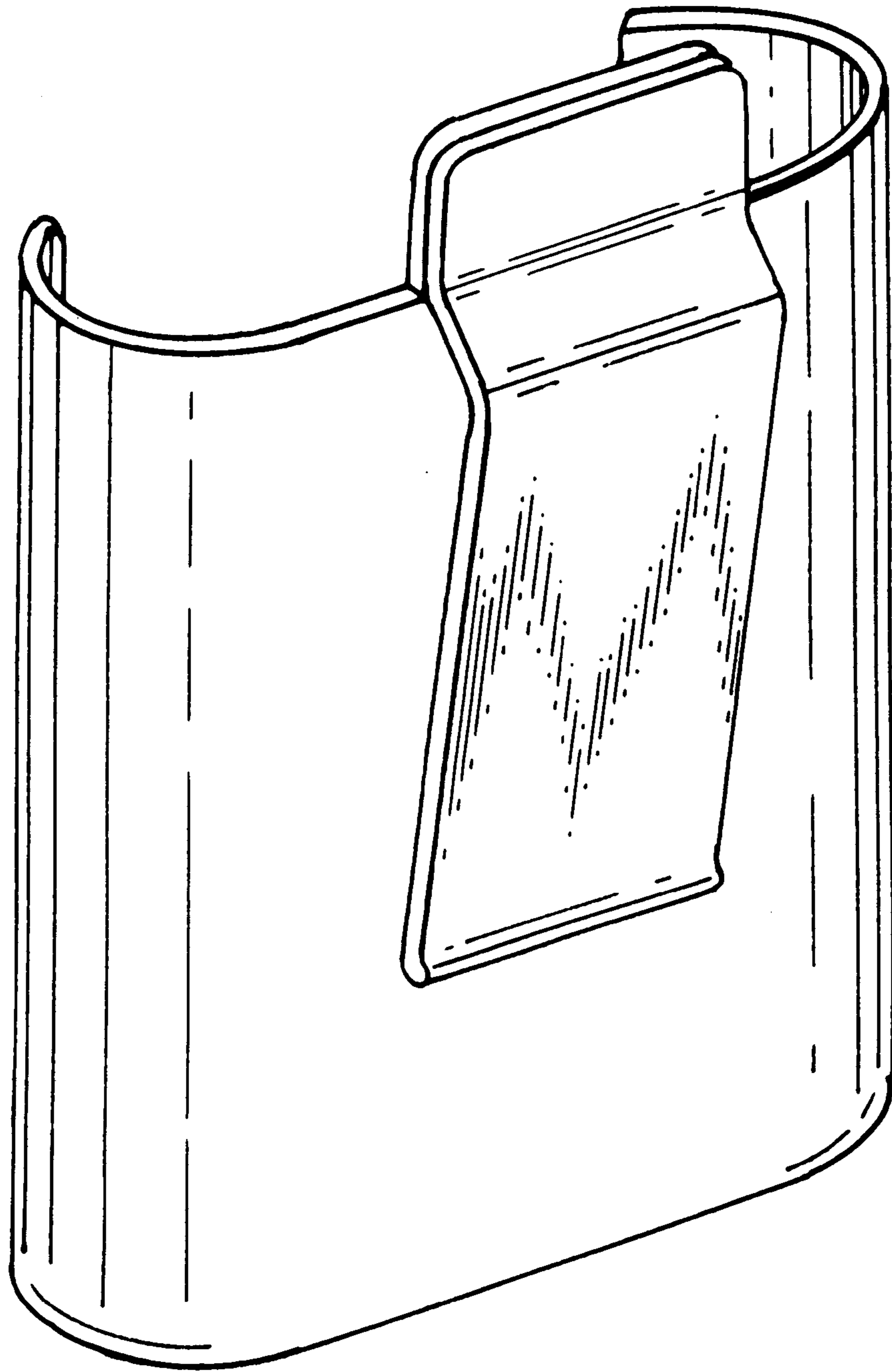


FIG. 6

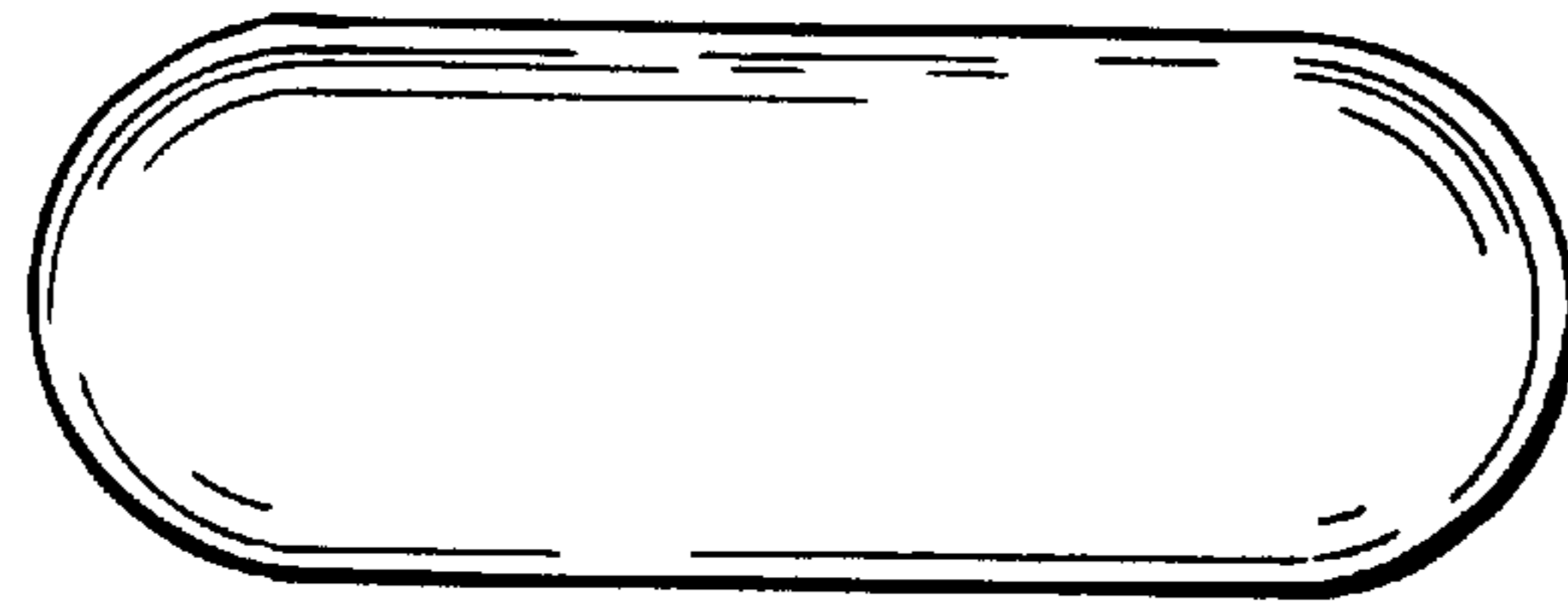


FIG. 9

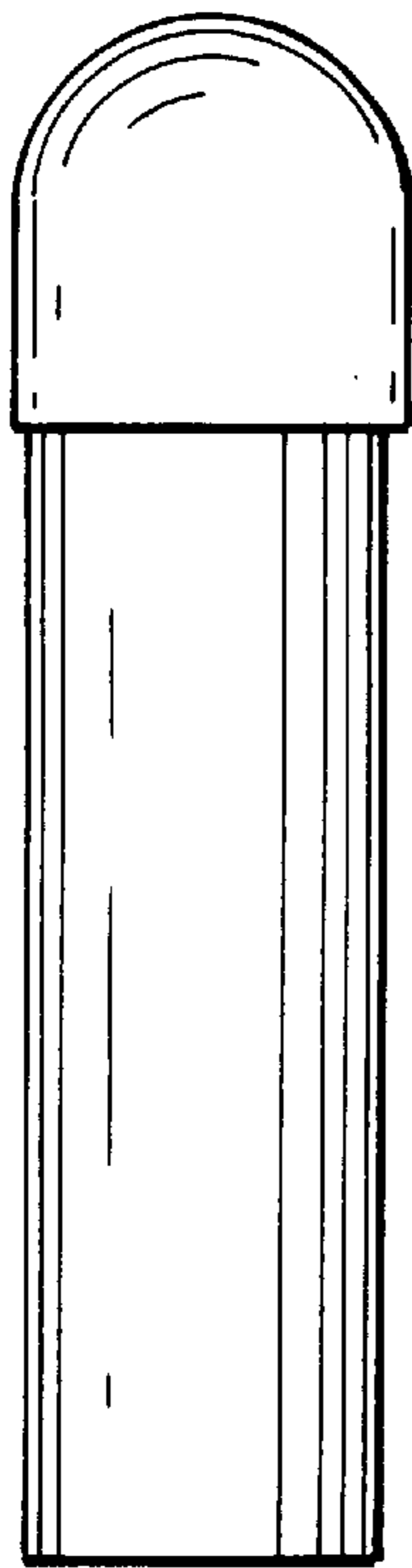


FIG. 11

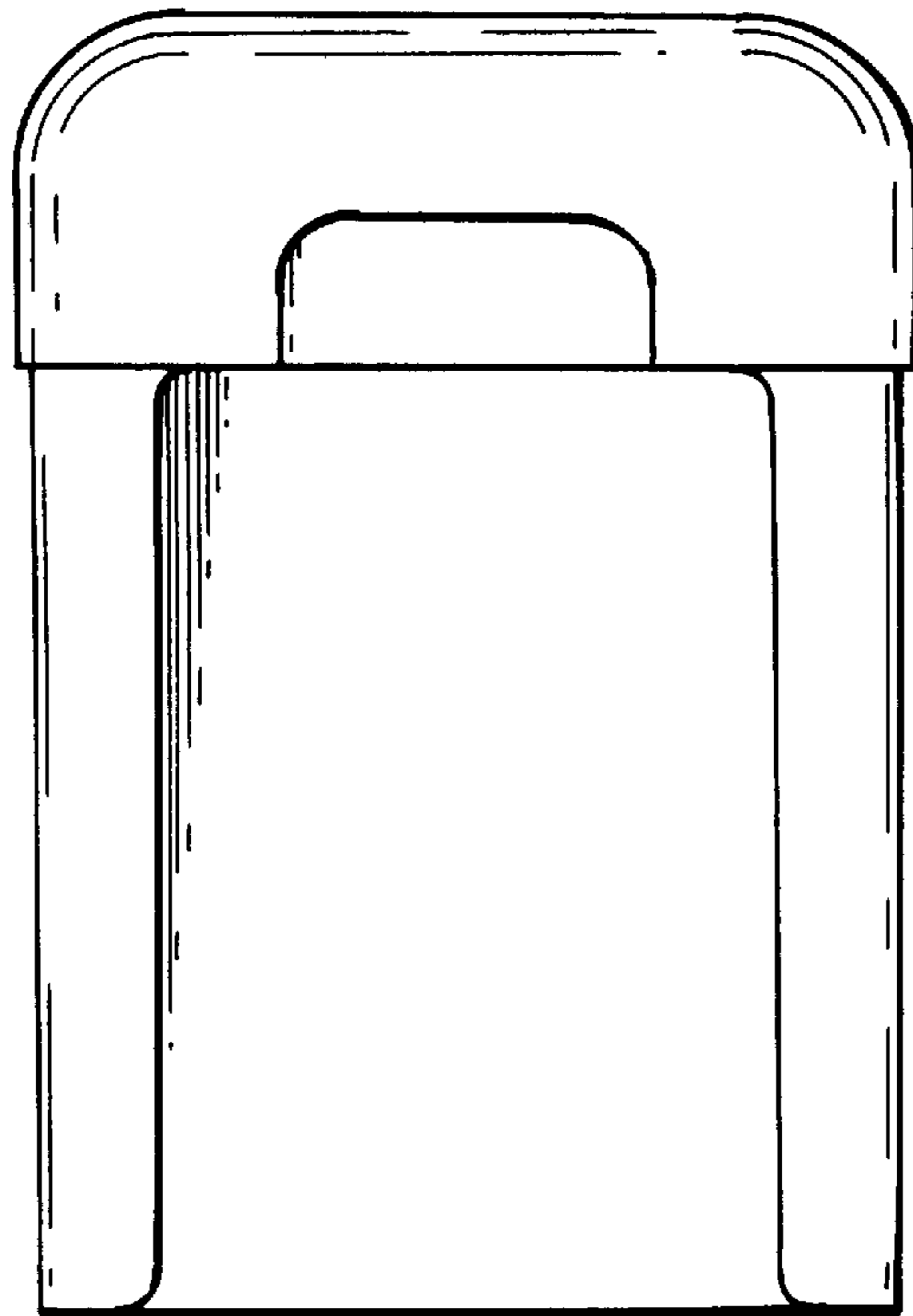


FIG. 7

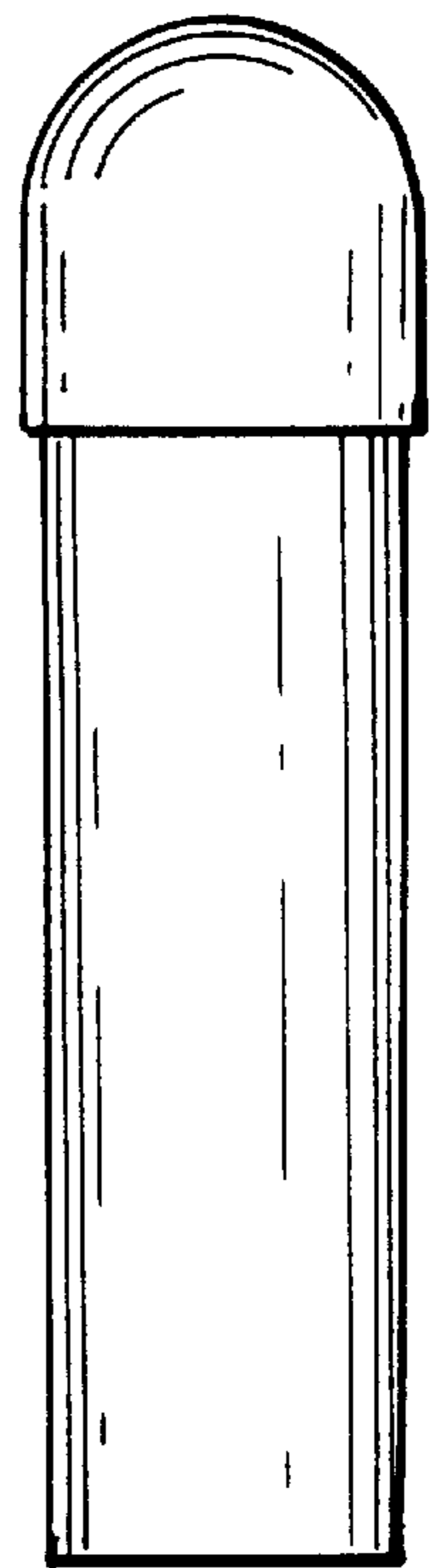


FIG. 12

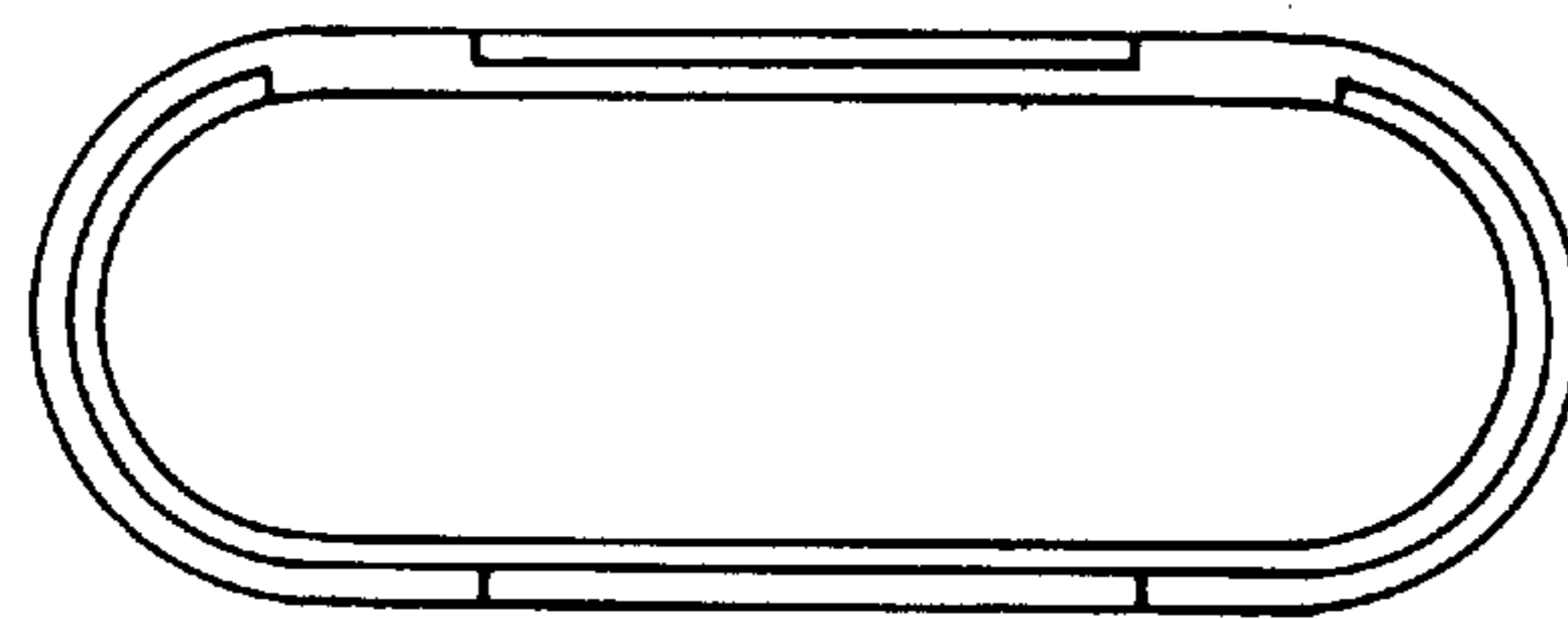


FIG. 10

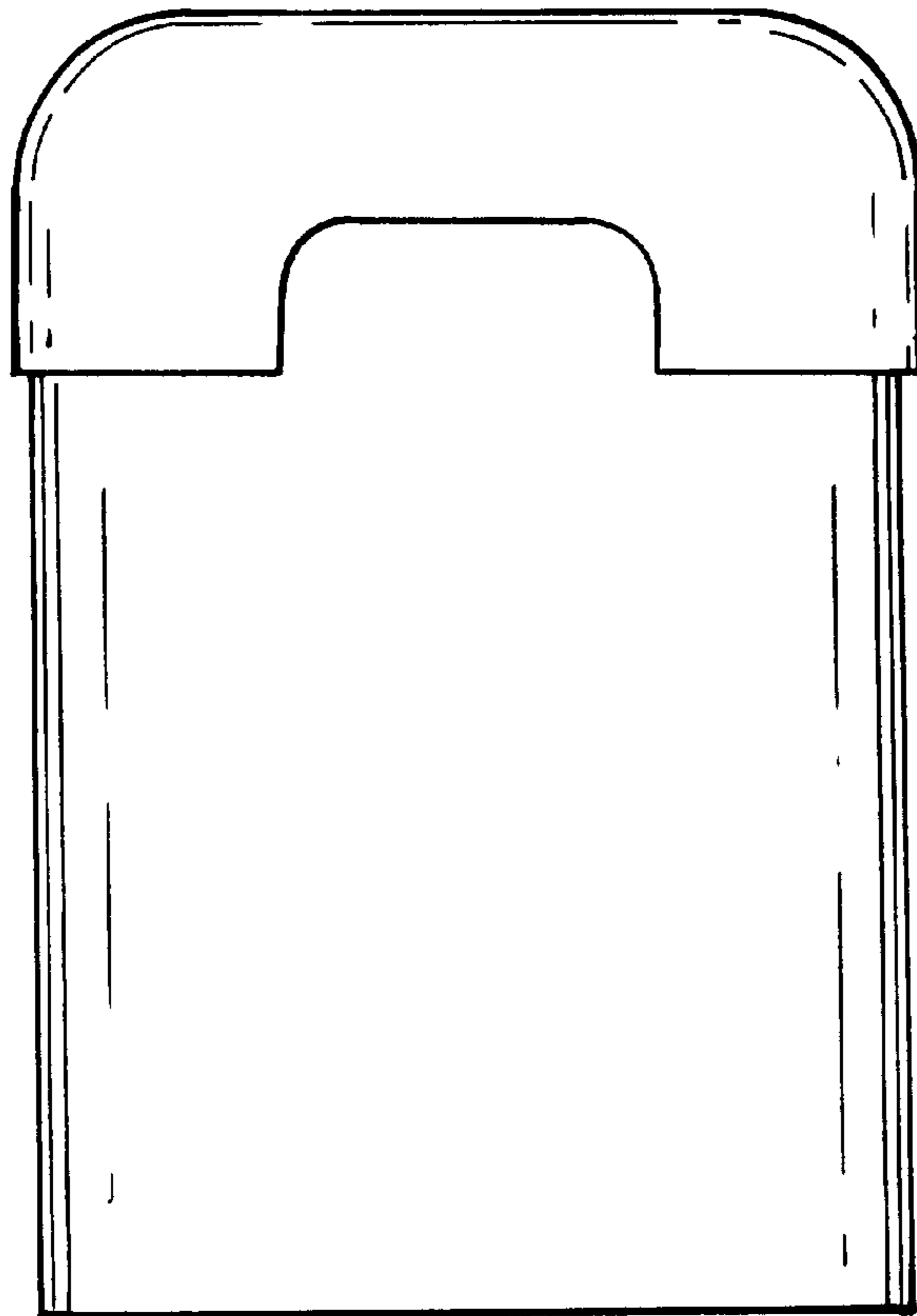


FIG. 8

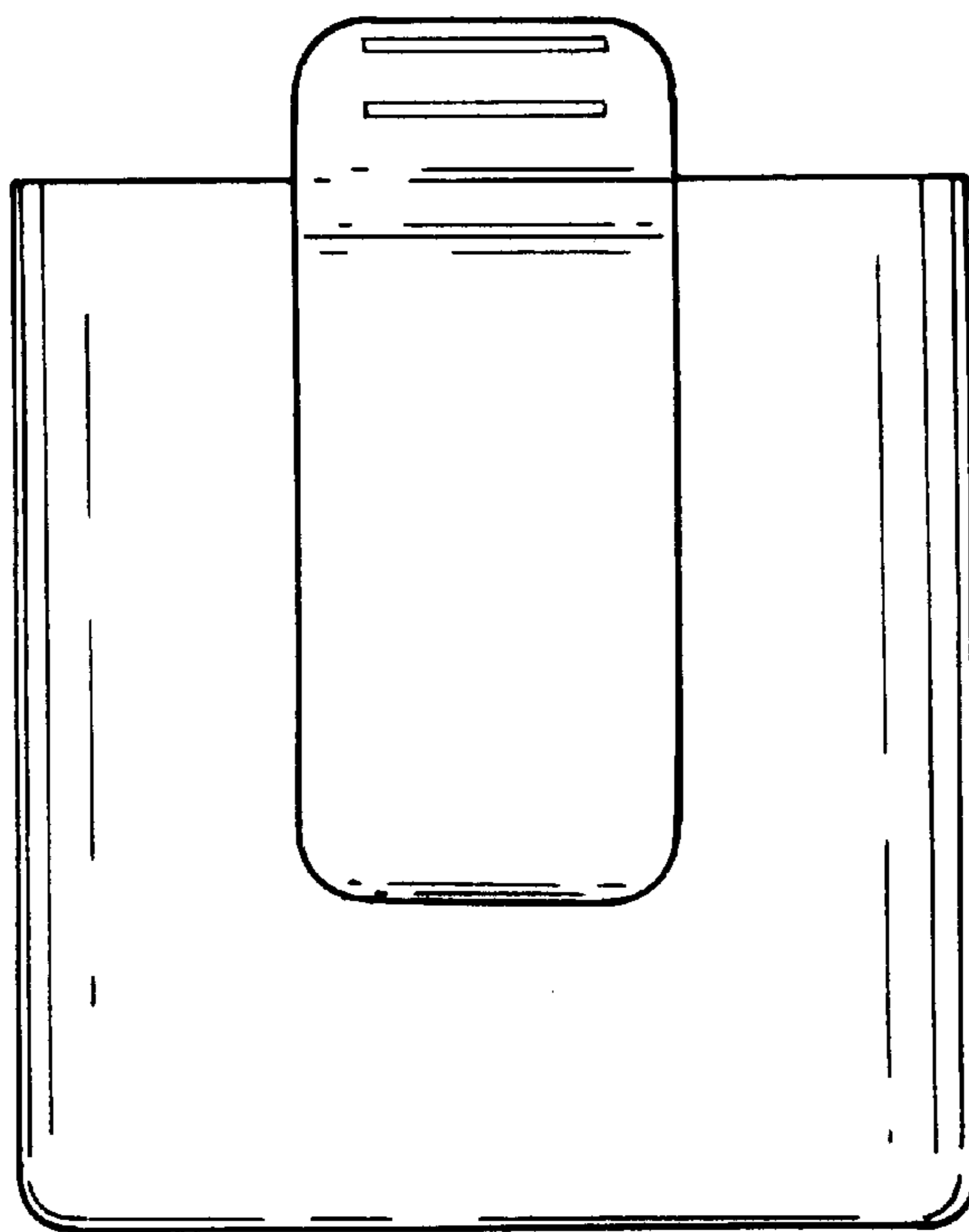


FIG. 14

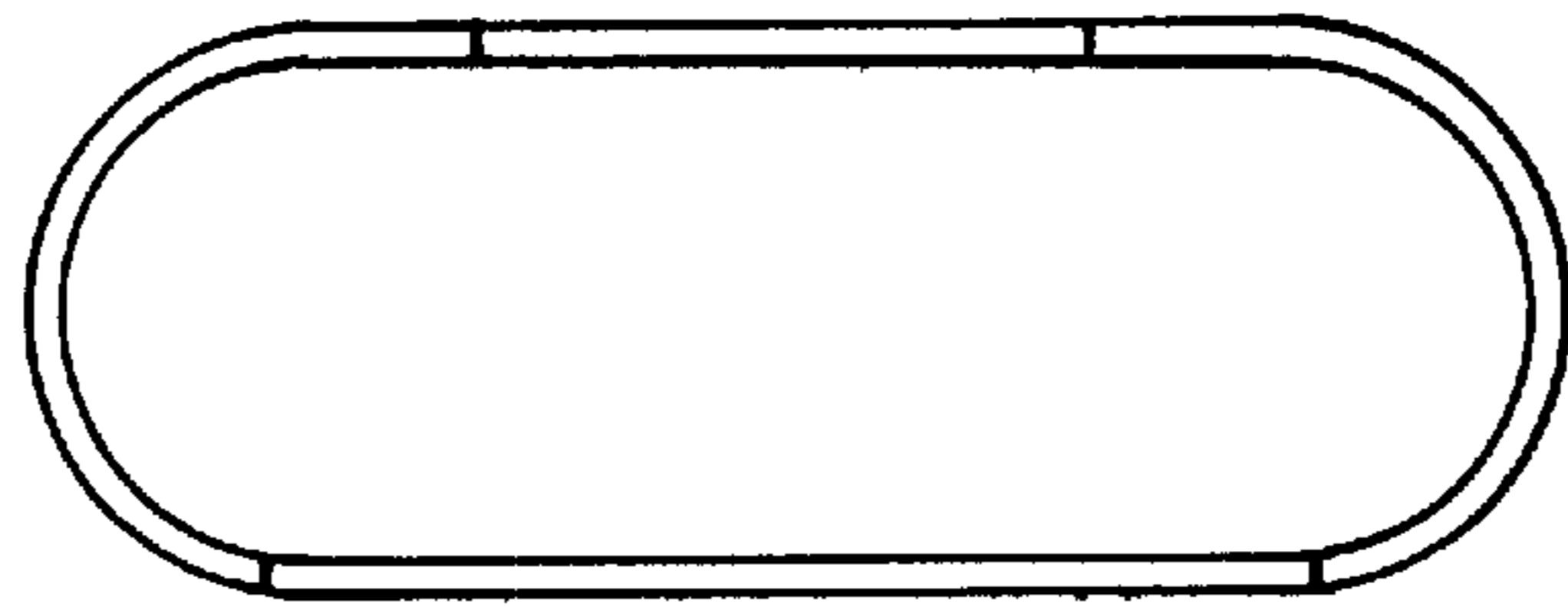


FIG. 15



FIG. 17

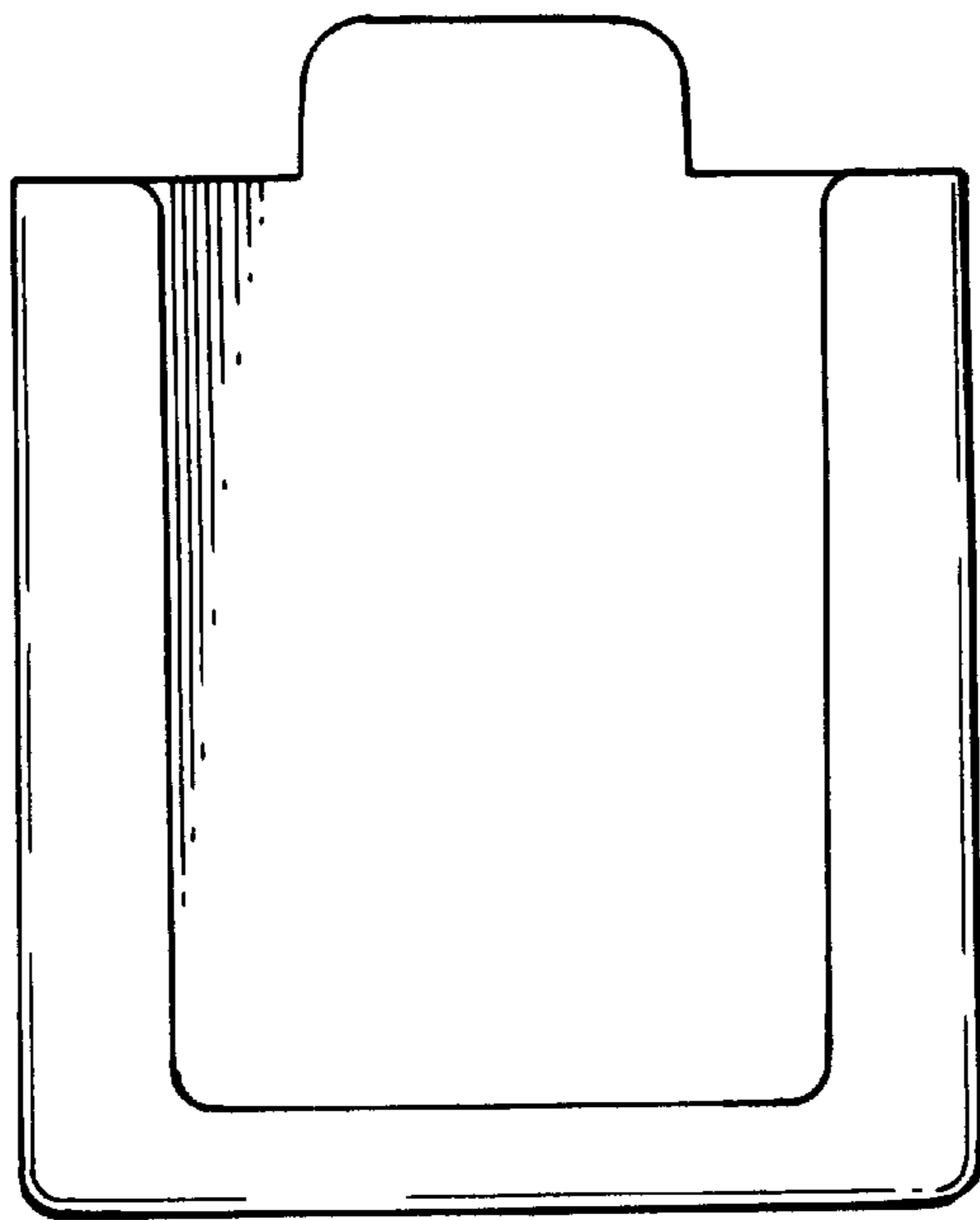


FIG. 13

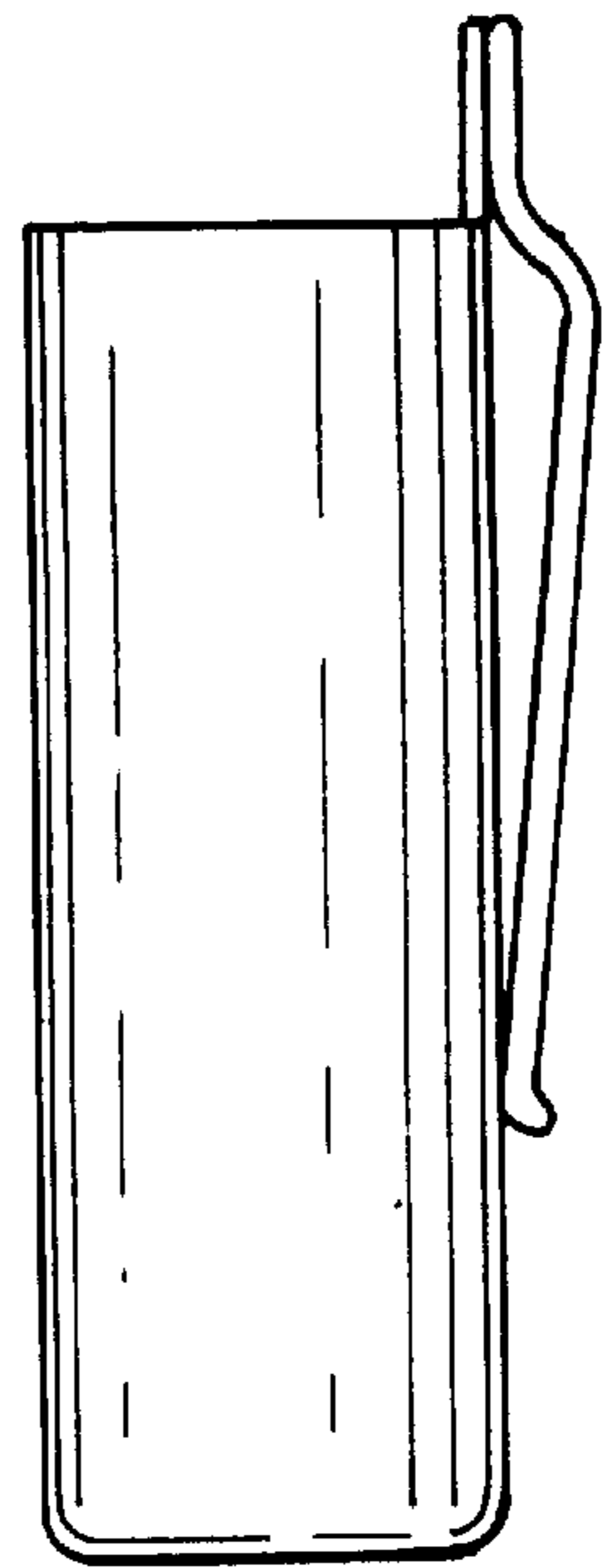


FIG. 18

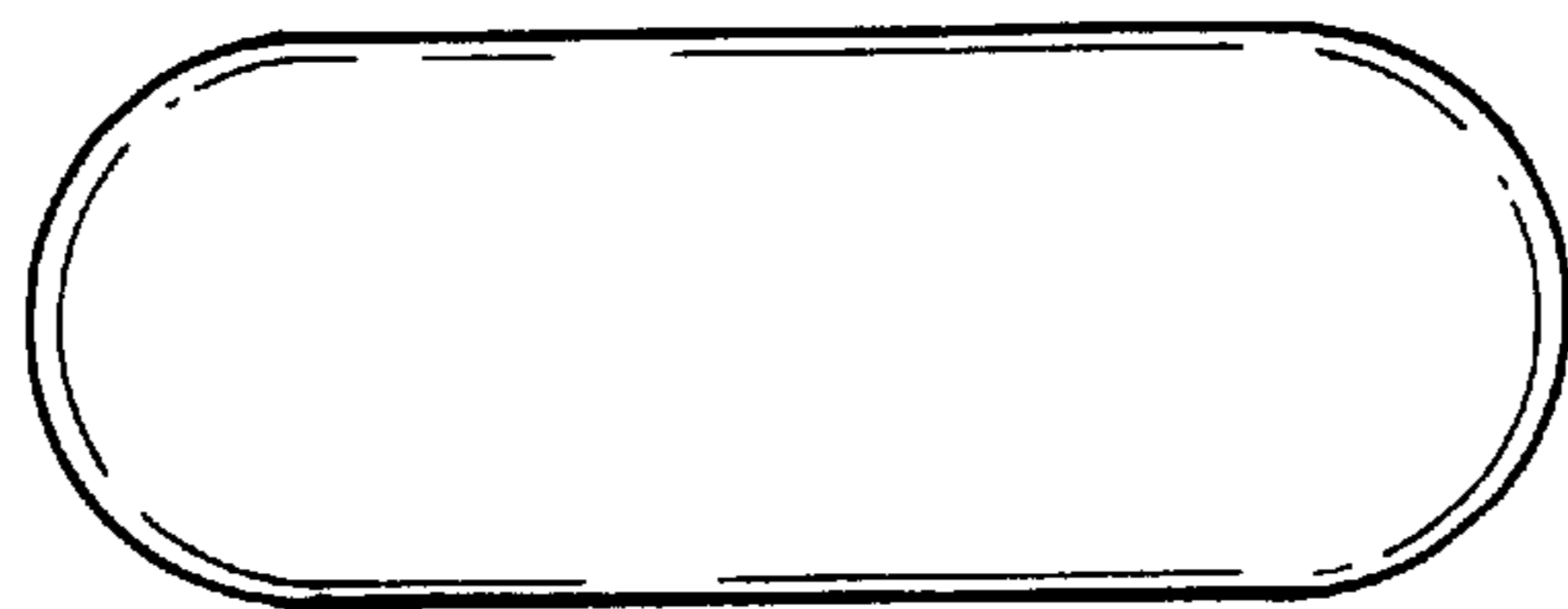


FIG. 16