



US00D449665B1

(12) **United States Design Patent**  
**Etherton et al.**

(10) **Patent No.:** **US D449,665 S**

(45) **Date of Patent:** **\*\* Oct. 23, 2001**

(54) **GOLF CLUB SHAFT EXTENDER WITH LATTICE PATTERN ON INSERT END**

5,423,536	6/1995	Brown	273/81 D
5,674,134	10/1997	Blankenship	473/296
5,976,031	11/1999	Johnson	473/300
5,997,412	12/1999	Benson	473/296
6,203,447	3/2001	Dillard	473/316

(75) Inventors: **Linda Ann Etherton**, Rancho Cucamonga; **Robert N. Schlesinger**, Claremont, both of CA (US)

\* cited by examiner

(73) Assignee: **Le Plastic Products**, Upland, CA (US)

*Primary Examiner*—Mitchell Siegel

(\*\*) Term: **14 Years**

(74) *Attorney, Agent, or Firm*—Robert N. Schlesinger

(21) Appl. No.: **29/141,967**

(57) **CLAIM**

(22) Filed: **May 17, 2001**

The ornamental design for a golf club shaft extender with lattice pattern on insert end, as shown and described.

(51) **LOC (7) Cl.** ..... **21-02**

**DESCRIPTION**

(52) **U.S. Cl.** ..... **D21/759**

(58) **Field of Search** ..... D21/753, 759;  
473/305, 350, 324–339, 282

FIG. 1 is a top perspective view of a golf club shaft extender with lattice pattern on insert end, and showing our new design;

(56) **References Cited**

**U.S. PATENT DOCUMENTS**

D. 359,541	*	6/1995	Lamanna	.....	D21/757
D. 370,953	*	6/1996	Visalli	.....	D21/759
D. 393,678	*	4/1998	Jones et al.	.....	D21/759
D. 401,653	*	11/1998	Burrows	.....	D21/753
D. 401,654	*	11/1998	Burrows	.....	D21/753
D. 401,655	*	11/1998	Burrows	.....	D21/753
D. 401,656	*	11/1998	Burrows	.....	D21/753
D. 434,822	*	12/2000	Jacobson et al.	.....	D21/759
5,024,438		6/1991	Candow	.....	273/81 R

FIG. 2 is a bottom perspective view thereof;

FIG. 3 is a side elevational view thereof, the opposite side view being a mirror image thereof;

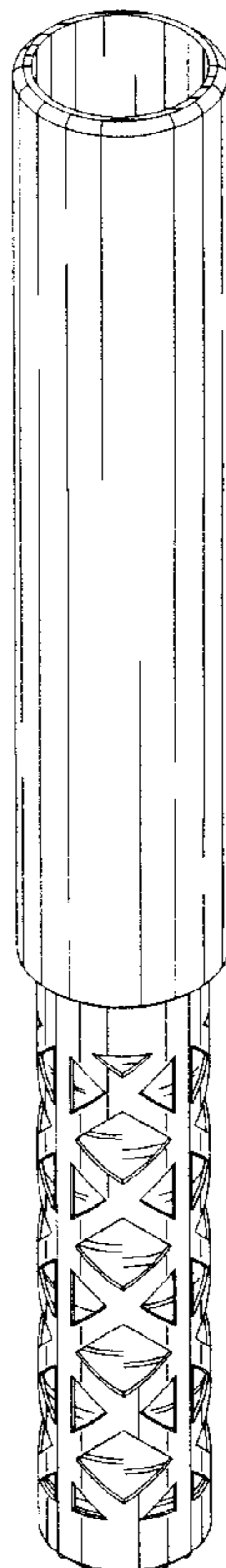
FIG. 4 is a side elevational view of FIG. 3 rotated 90 degrees about the central axis thereof;

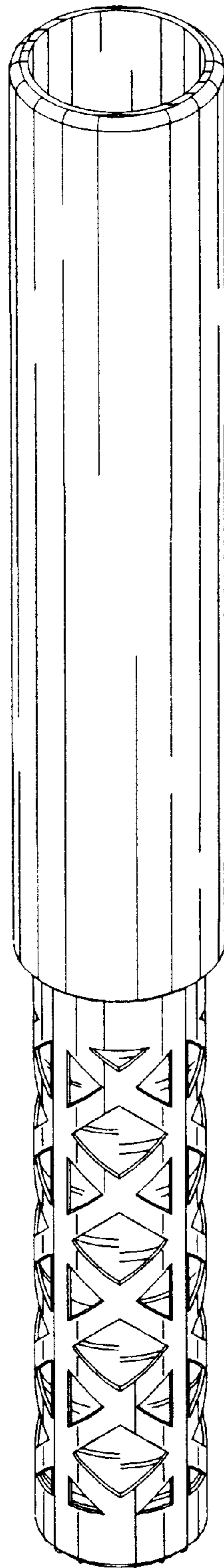
FIG. 5 is a sectional side view thereof, the section taken along lines 5—5 shown in FIG. 4;

FIG. 6 is a top plan view thereof; and,

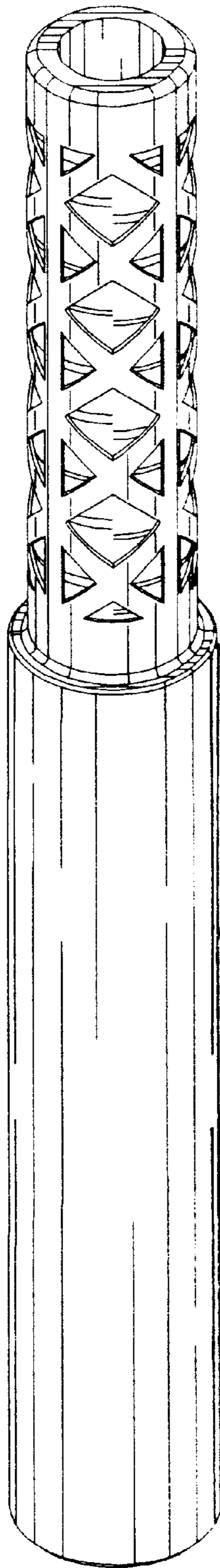
FIG. 7 is a bottom plan view thereof.

**1 Claim, 7 Drawing Sheets**

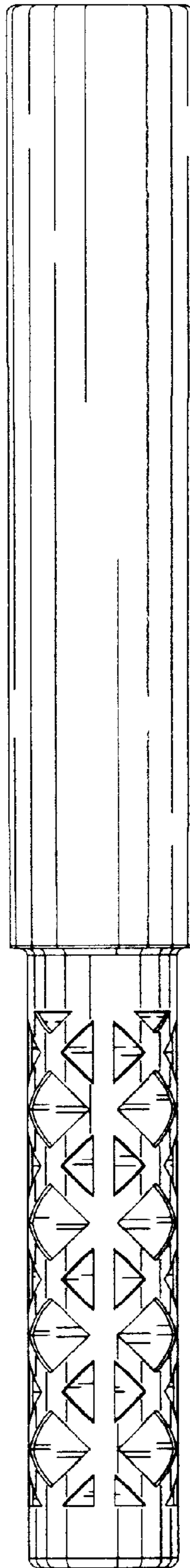




*FIG. 1*



*FIG. 2*



*FIG. 3*

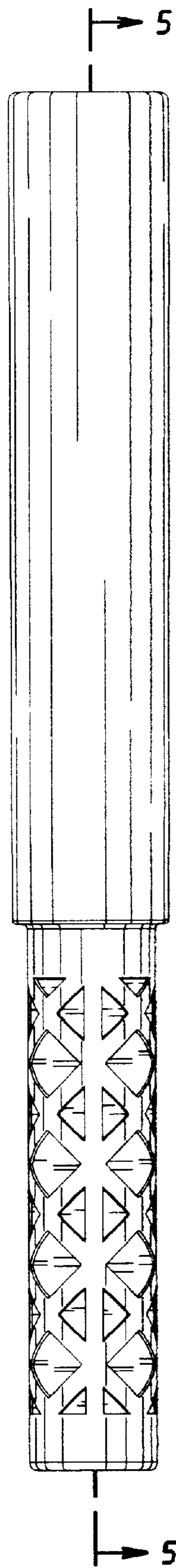
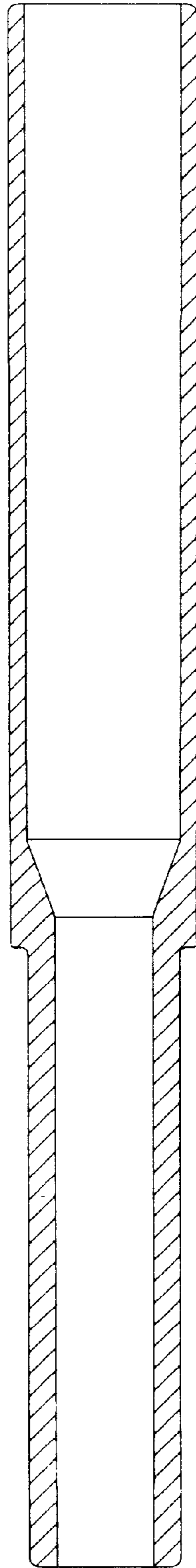
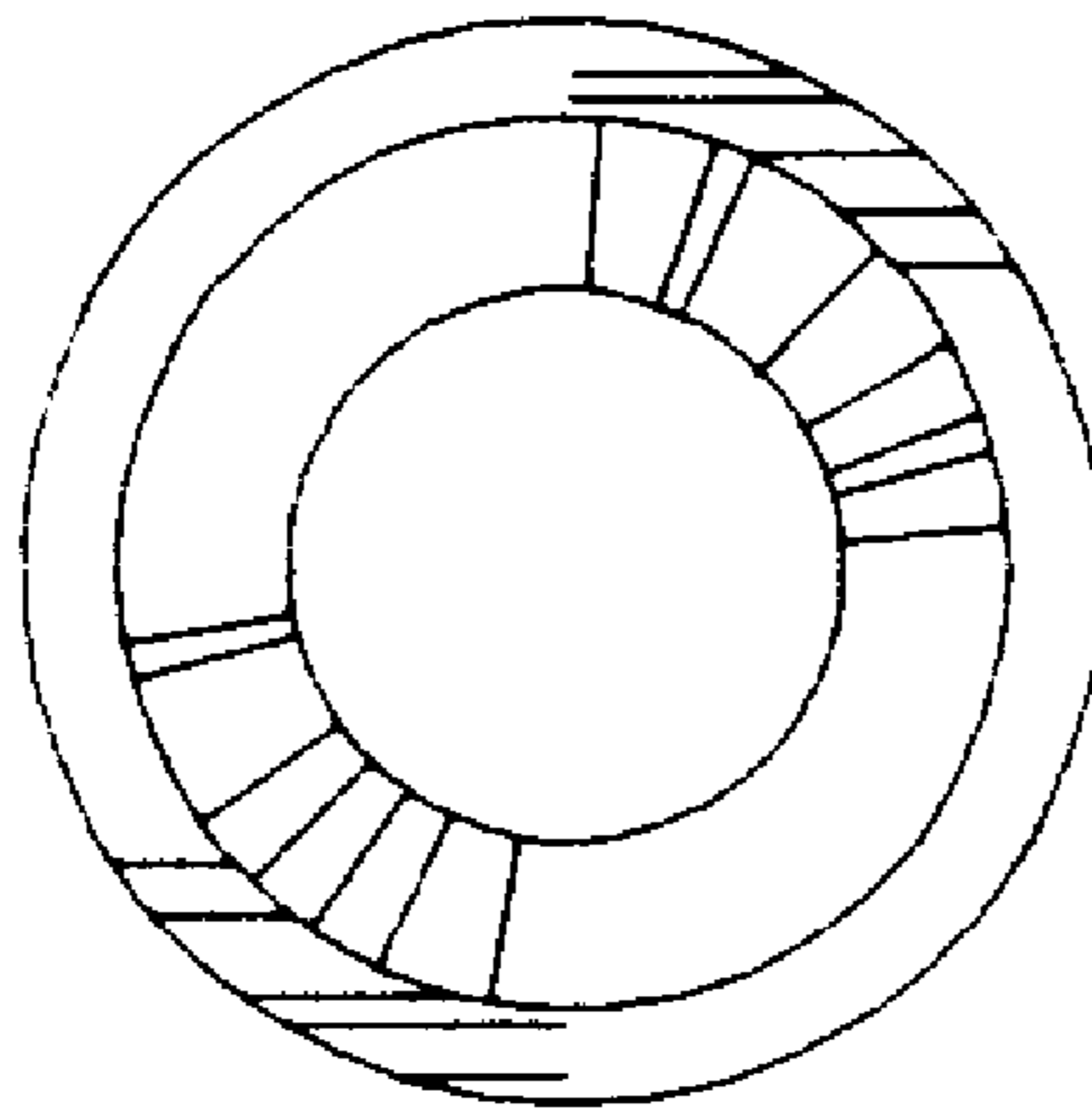


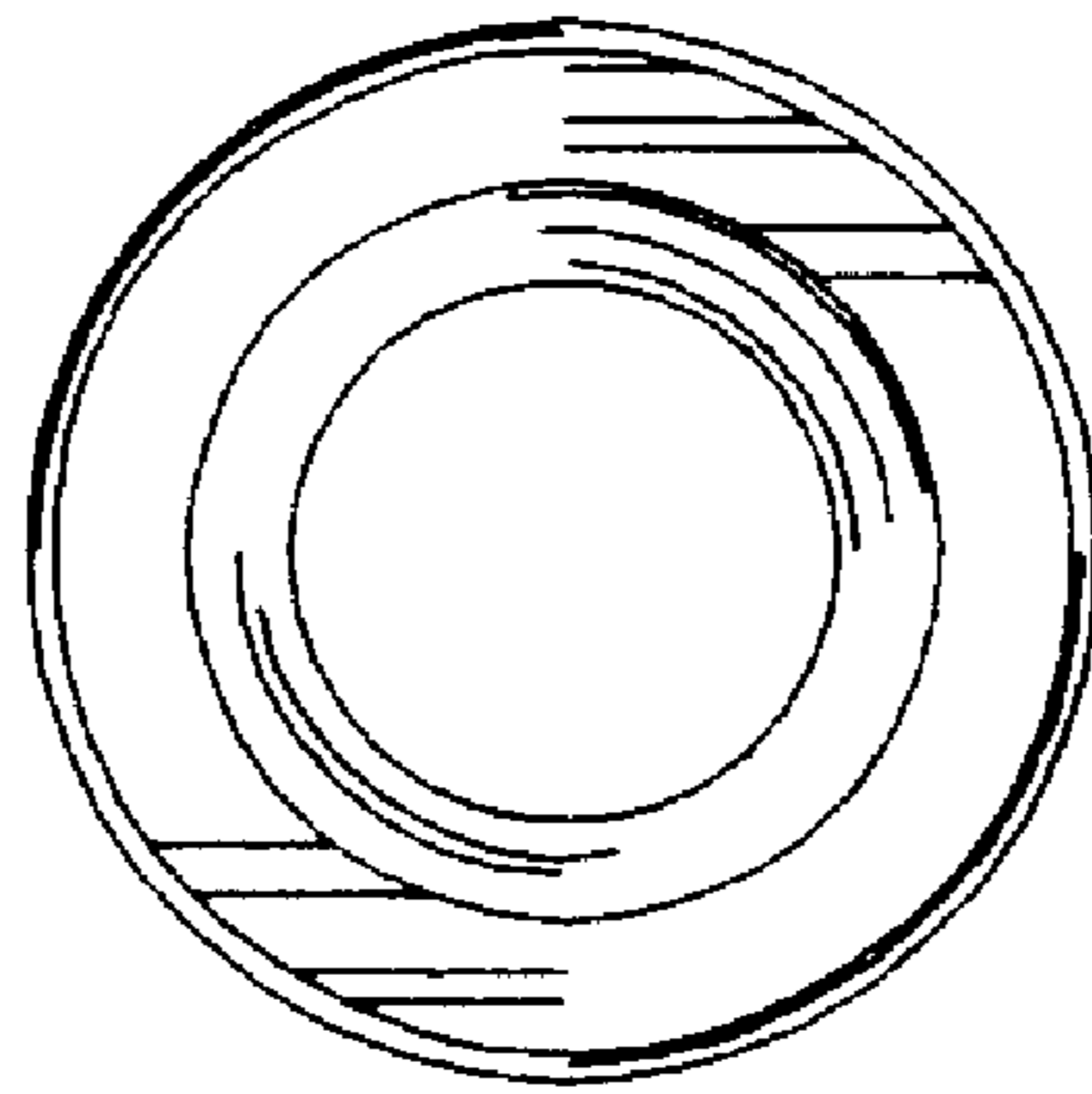
FIG. 4



**FIG. 5**



*FIG. 6*



*FIG. 7*