



US00D449664B1

(12) **United States Design Patent**  
**Beebe et al.**

(10) **Patent No.:** **US D449,664 S**

(45) **Date of Patent:** **\*\* Oct. 23, 2001**

(54) **GOLF PUTTER FACE**

(75) Inventors: **Lou C. Beebe; James Wells**, both of Phoenix; **Michael R. Nicolette**, Cave Creek, all of AZ (US)

(73) Assignee: **Karsten Manufacturing Corporation**, Phoenix, AZ (US)

(\*\*) Term: **14 Years**

(21) Appl. No.: **29/135,996**

(22) Filed: **Jan. 23, 2001**

(51) **LOC (7) Cl.** ..... **21-02**

(52) **U.S. Cl.** ..... **D21/759**

(58) **Field of Search** ..... D21/736-746,  
D21/753, 759; 473/324, 327-331, 337,  
340, 341, 350

(56) **References Cited**

**U.S. PATENT DOCUMENTS**

- D. 194,239 \* 12/1962 Hyde ..... D21/738
- D. 238,285 12/1975 Ross ..... D34/5 GH
- D. 257,784 1/1981 Forsys ..... D21/219
- D. 338,936 8/1993 Smith ..... D21/217

- D. 341,860 11/1993 DeLomba ..... D21/217
- D. 356,131 3/1995 Trimble ..... D21/217
- D. 388,484 12/1997 English ..... D21/219
- D. 389,207 \* 1/1998 Cameron ..... D21/742
- D. 441,820 \* 5/2001 Nicolette et al. .... D21/738
- 3,873,094 \* 3/1975 Sebo et al. .... 473/350
- 5,839,974 \* 11/1998 McAllister ..... 473/337

\* cited by examiner

*Primary Examiner*—Mitchell Siegel

(74) *Attorney, Agent, or Firm*—Darrell F. Marquette

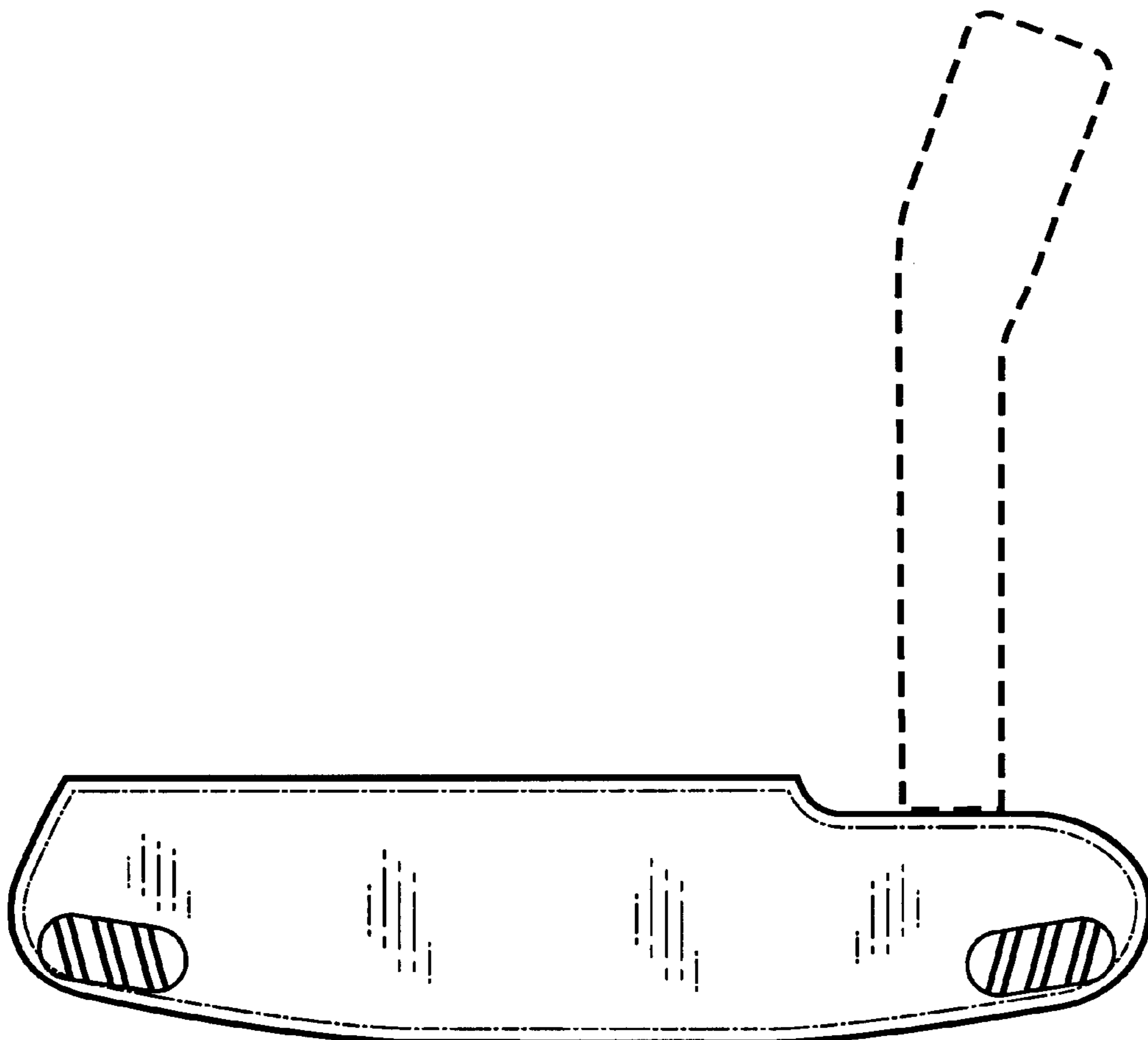
(57) **CLAIM**

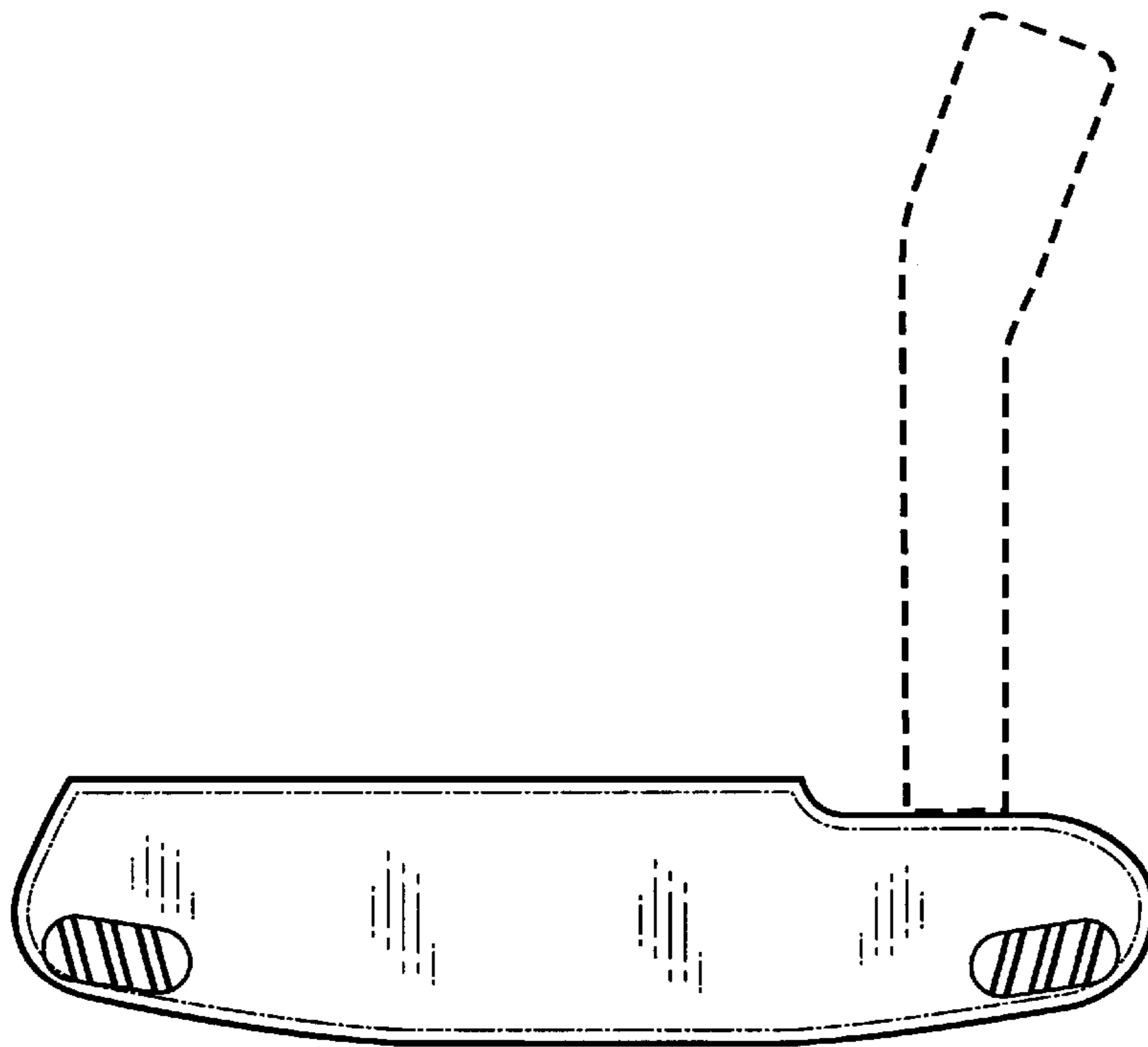
We claim the ornamental design for a golf putter face, as shown and described.

**DESCRIPTION**

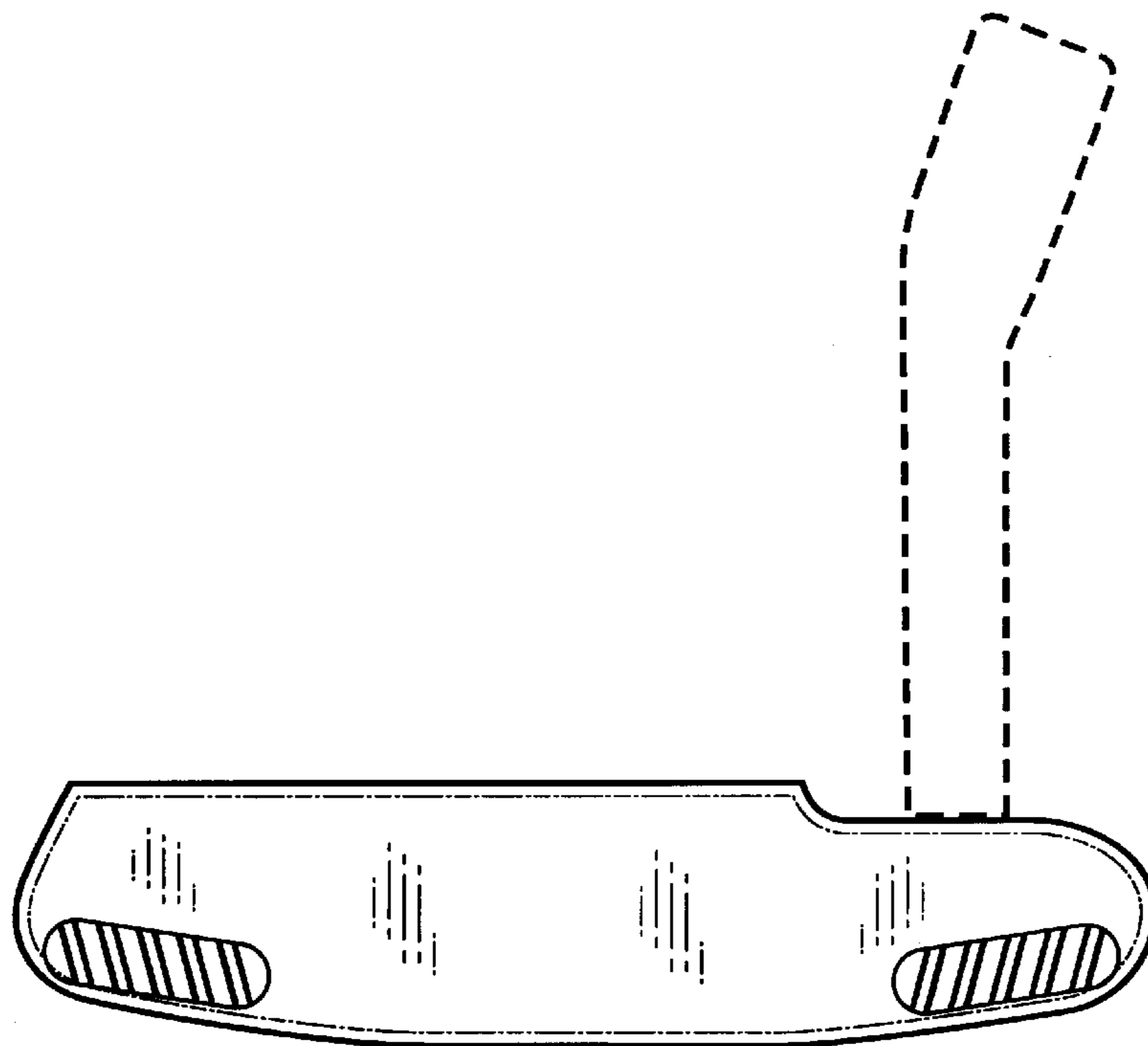
FIG. 1 is a front elevational view of a golf putter face showing one embodiment of our new design; and, FIG. 2 is a front elevational view of a golf putter face showing another embodiment of our new design. The broken line showing of other portions of a golf putter head is for illustrative purposes only and forms no part of the claimed design.

**1 Claim, 1 Drawing Sheet**





*Fig.1*



*Fig.2*