



US00D449658B1

(12) **United States Design Patent**
Ma

(10) **Patent No.:** **US D449,658 S**

(45) **Date of Patent:** **** Oct. 23, 2001**

(54) **TOY AEROPLANE**

(75) Inventor: **Philip Ma**, Coquitlam (CA)

(73) Assignee: **Goldlok Toys Manufactory Co., Ltd.**,
Hong Kong (CN)

(**) Term: **14 Years**

(21) Appl. No.: **29/135,627**

(22) Filed: **Jan. 16, 2001**

(30) **Foreign Application Priority Data**

Jul. 25, 2000 (HK) 0010961

(51) **LOC (7) Cl.** **21-01**

(52) **U.S. Cl.** **D21/448**

(58) **Field of Search** D21/430, 436,
D21/447, 448, 451, 452, 582; 446/230,
231

(56) **References Cited**

U.S. PATENT DOCUMENTS

D. 225,248 * 11/1972 Ostrander D21/448
D. 249,176 * 8/1978 Loomis D21/448
D. 280,335 * 8/1985 Dummar D21/447
D. 336,665 * 6/1993 Tugendhaft D21/448

D. 394,090 * 5/1998 Kato D21/448
4,571,205 * 2/1986 Zaruba 446/230
5,733,169 * 3/1998 Tsai 446/230

* cited by examiner

Primary Examiner—Raphael Barkai

(74) *Attorney, Agent, or Firm*—Alix, Yale & Ristas, LLP

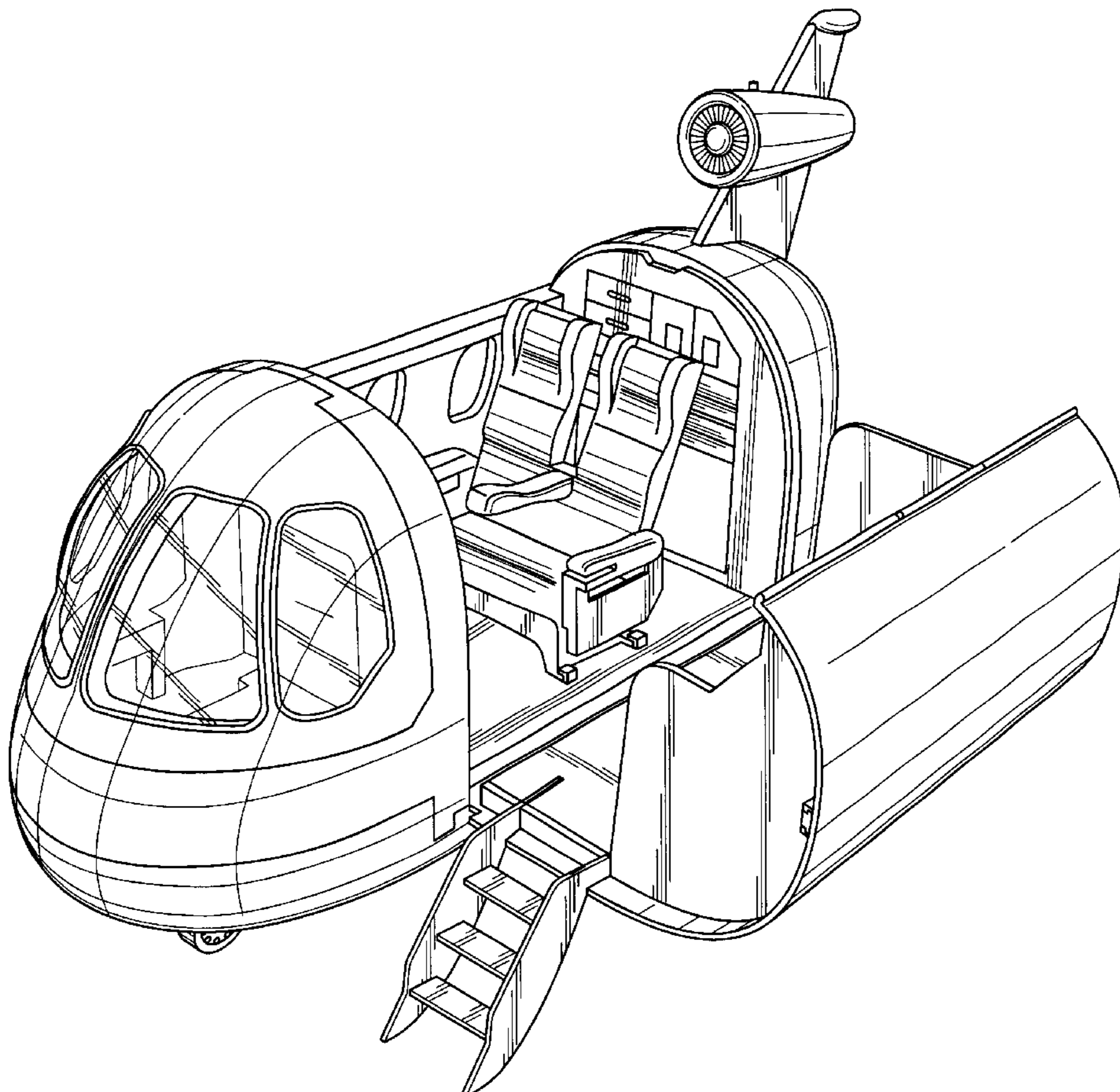
(57) **CLAIM**

The ornamental design for a toy aeroplane, as shown and described.

DESCRIPTION

FIG. 1 is a front perspective view of the toy aeroplane showing my new design;
FIG. 2 is a front perspective view of the toy aeroplane of FIG. 1 with parts thereof extended;
FIG. 3 is a front perspective view in an opened position of the toy aeroplane of FIG. 1;
FIG. 4 is a front view of the toy aeroplane of FIG. 1;
FIG. 5 is a rear view of the toy aeroplane of FIG. 1;
FIG. 6 is a left side view of the toy aeroplane of FIG. 1;
FIG. 7 is a right side view of the toy aeroplane of FIG. 1;
FIG. 8 is a top plan view of the toy aeroplane of FIG. 1; and,
FIG. 9 is a bottom plan view of the toy aeroplane of FIG. 1.

1 Claim, 7 Drawing Sheets



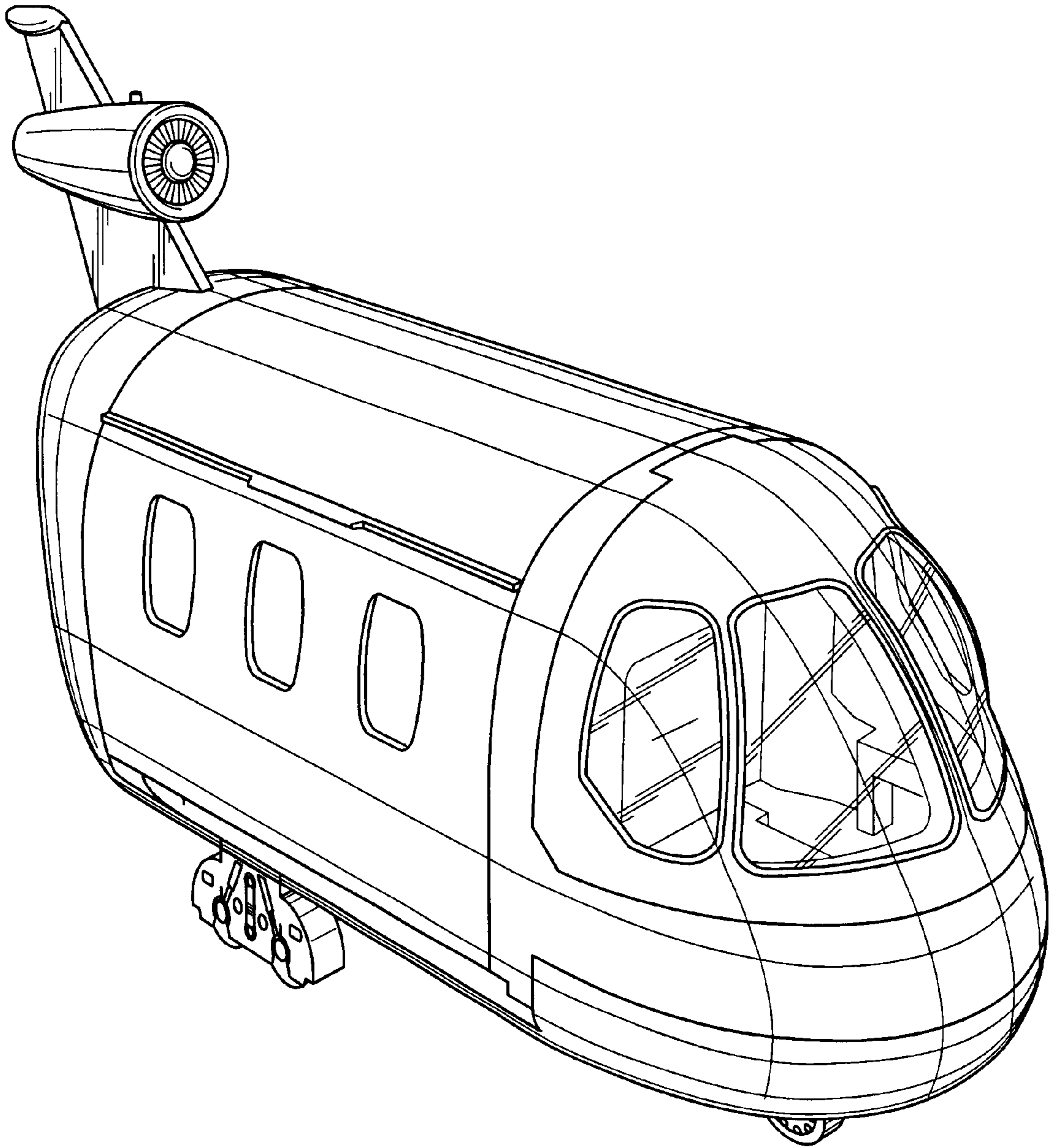


FIG. 1

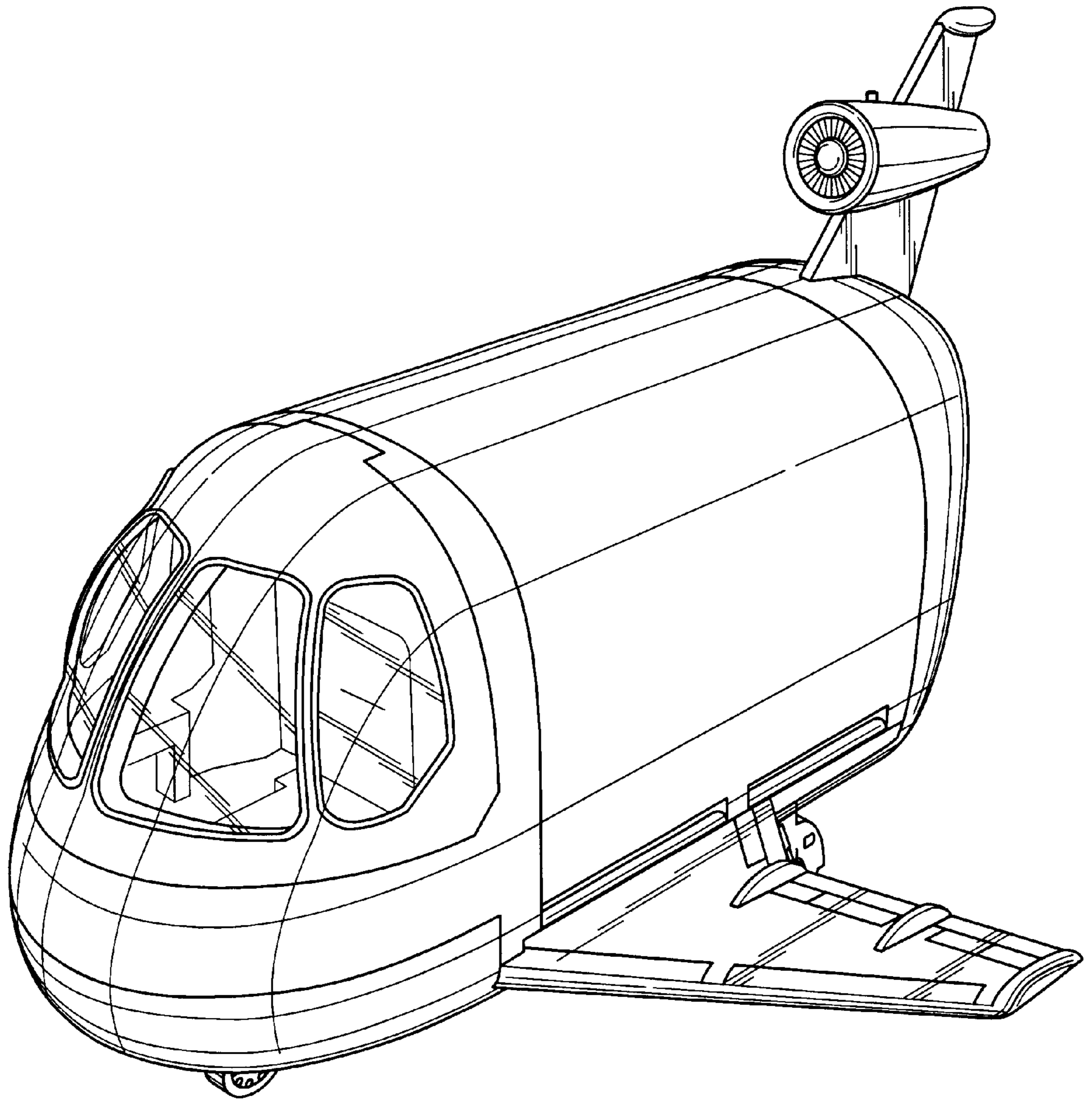


FIG. 2

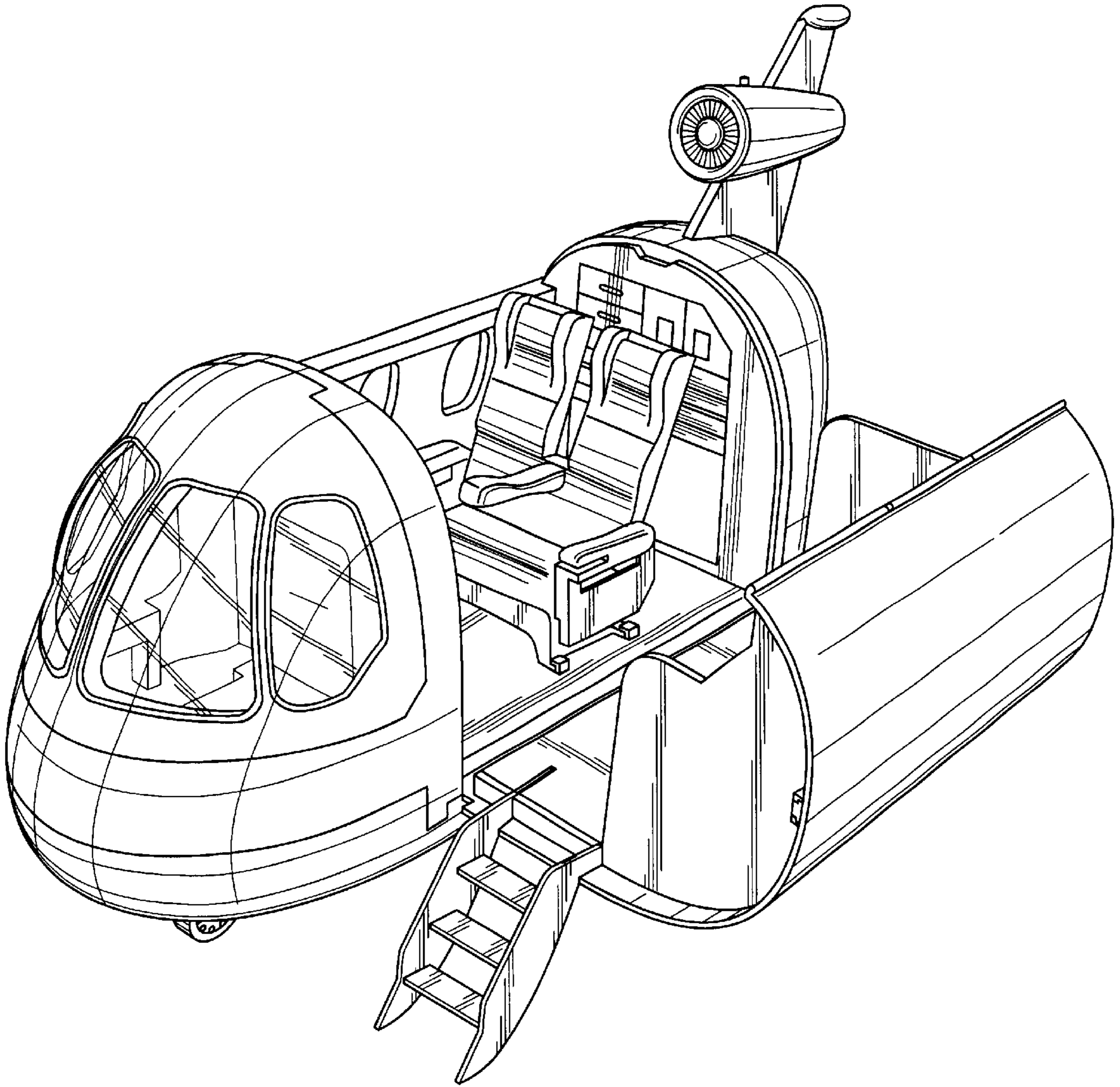


FIG. 3

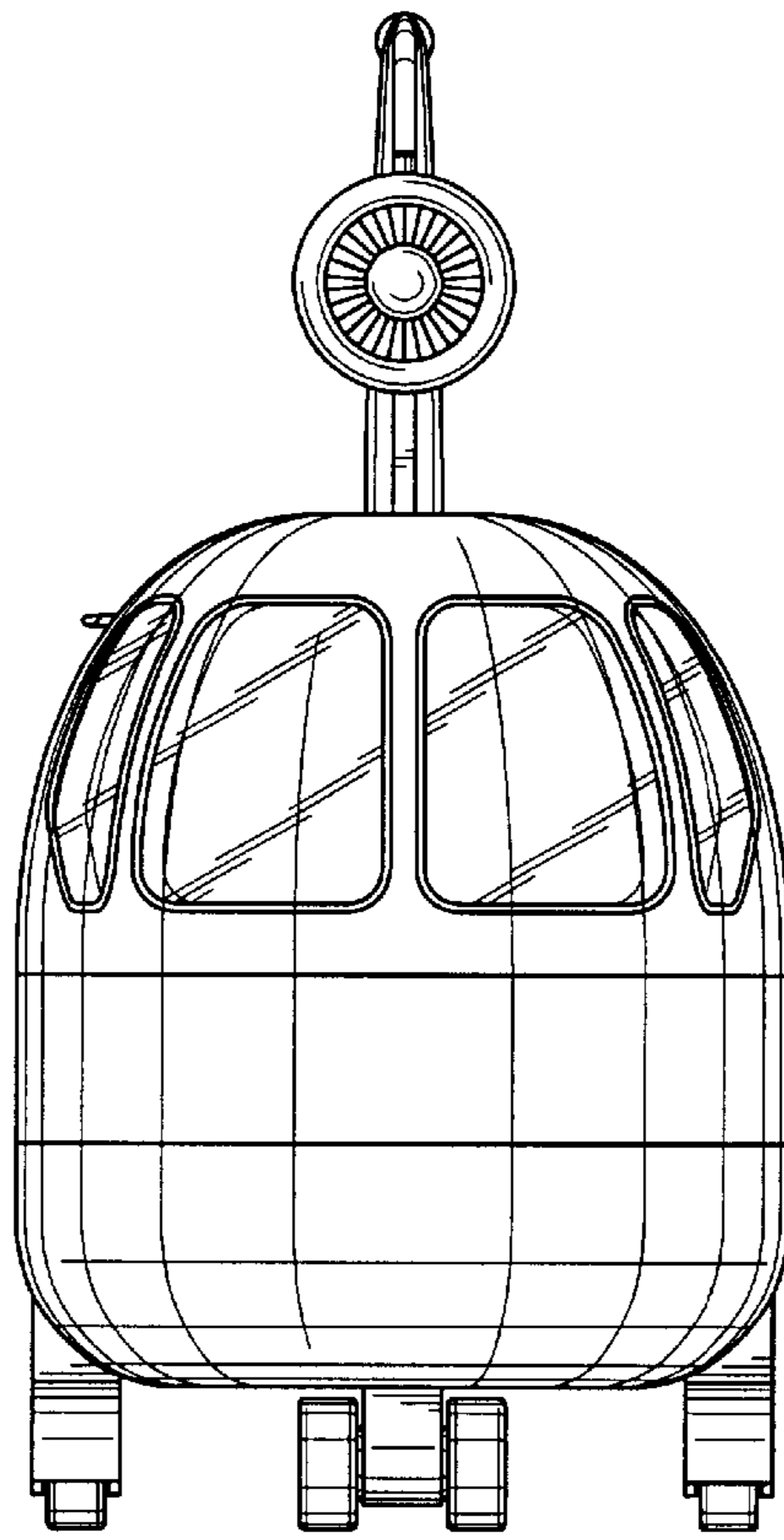


FIG. 4

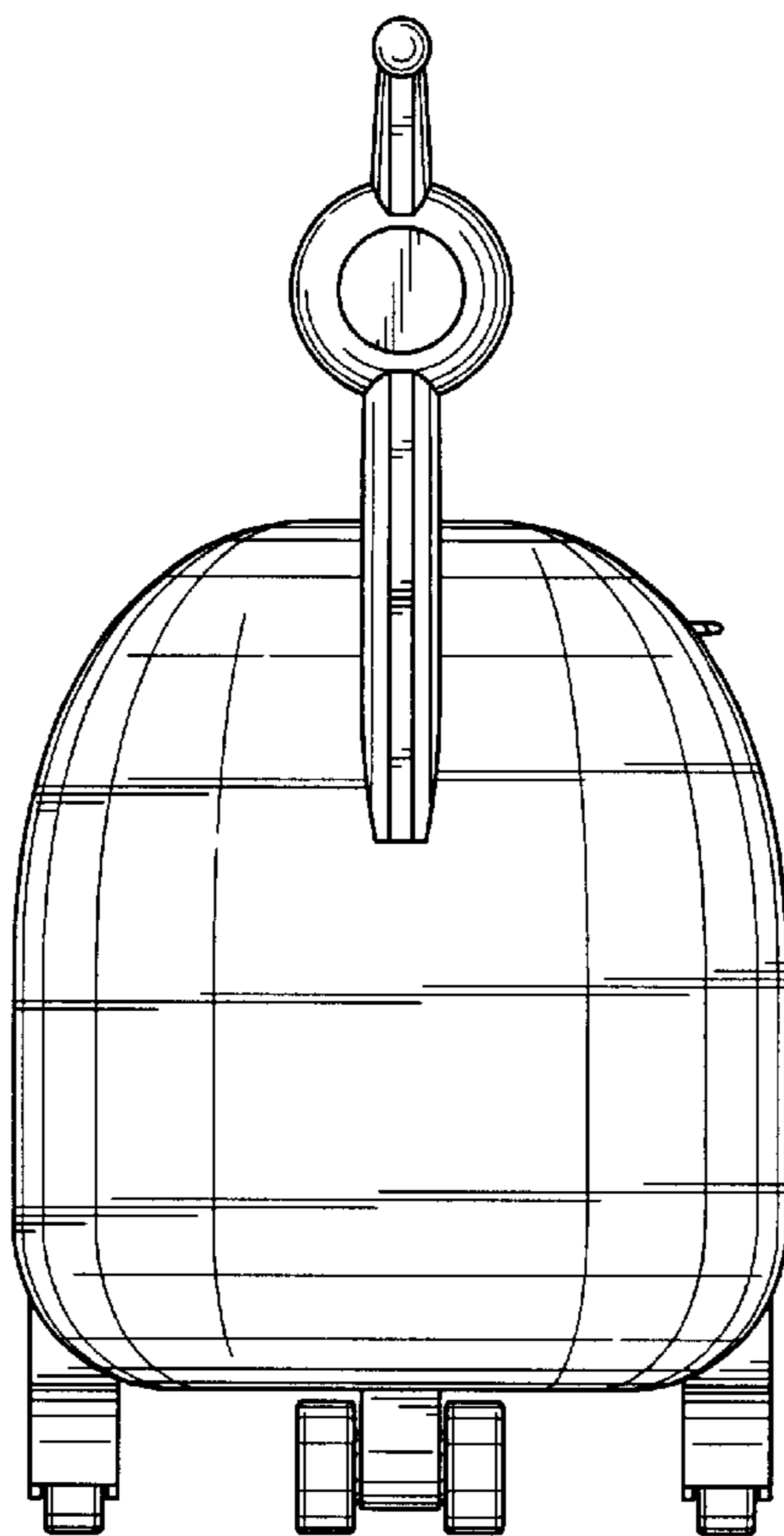
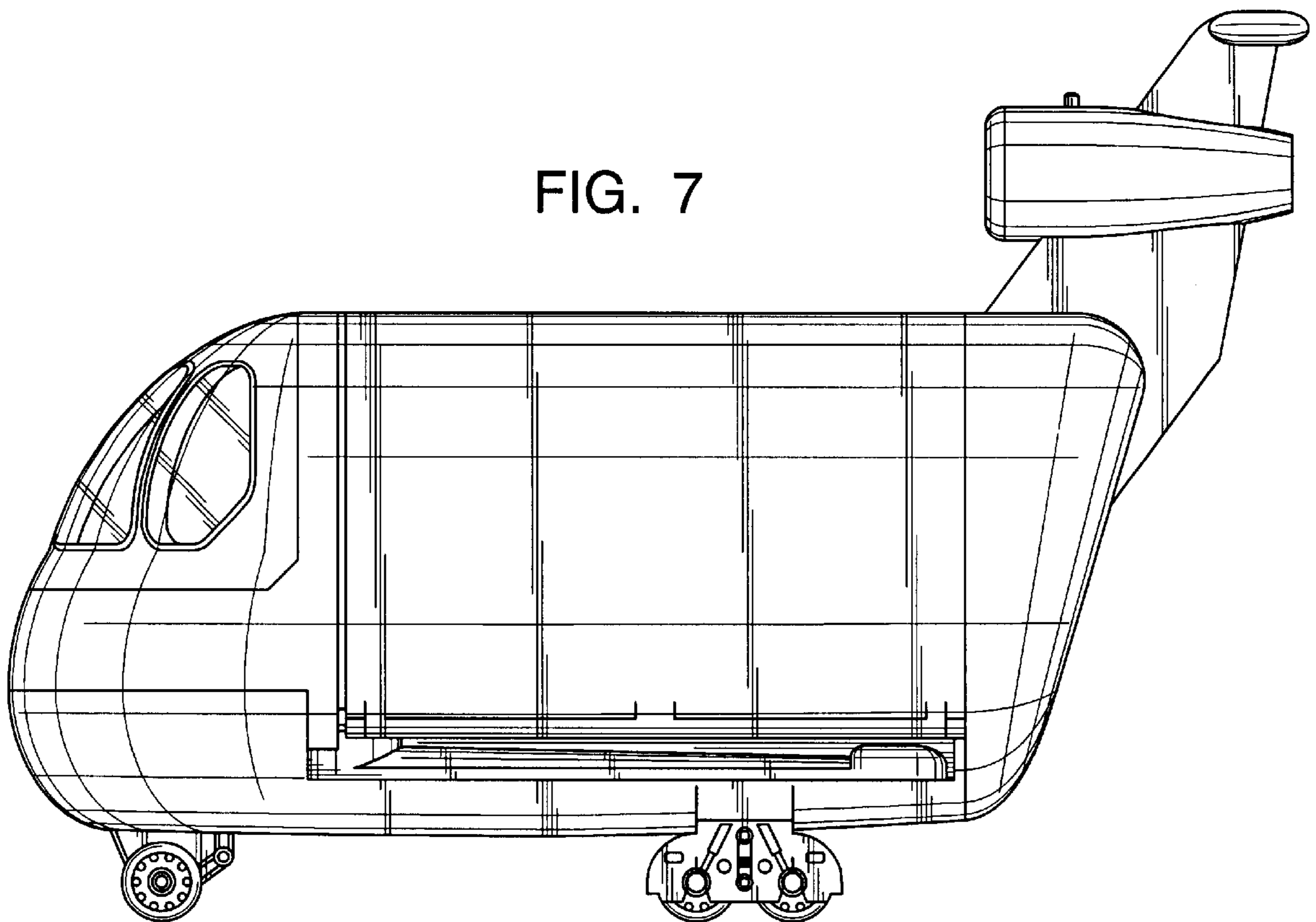
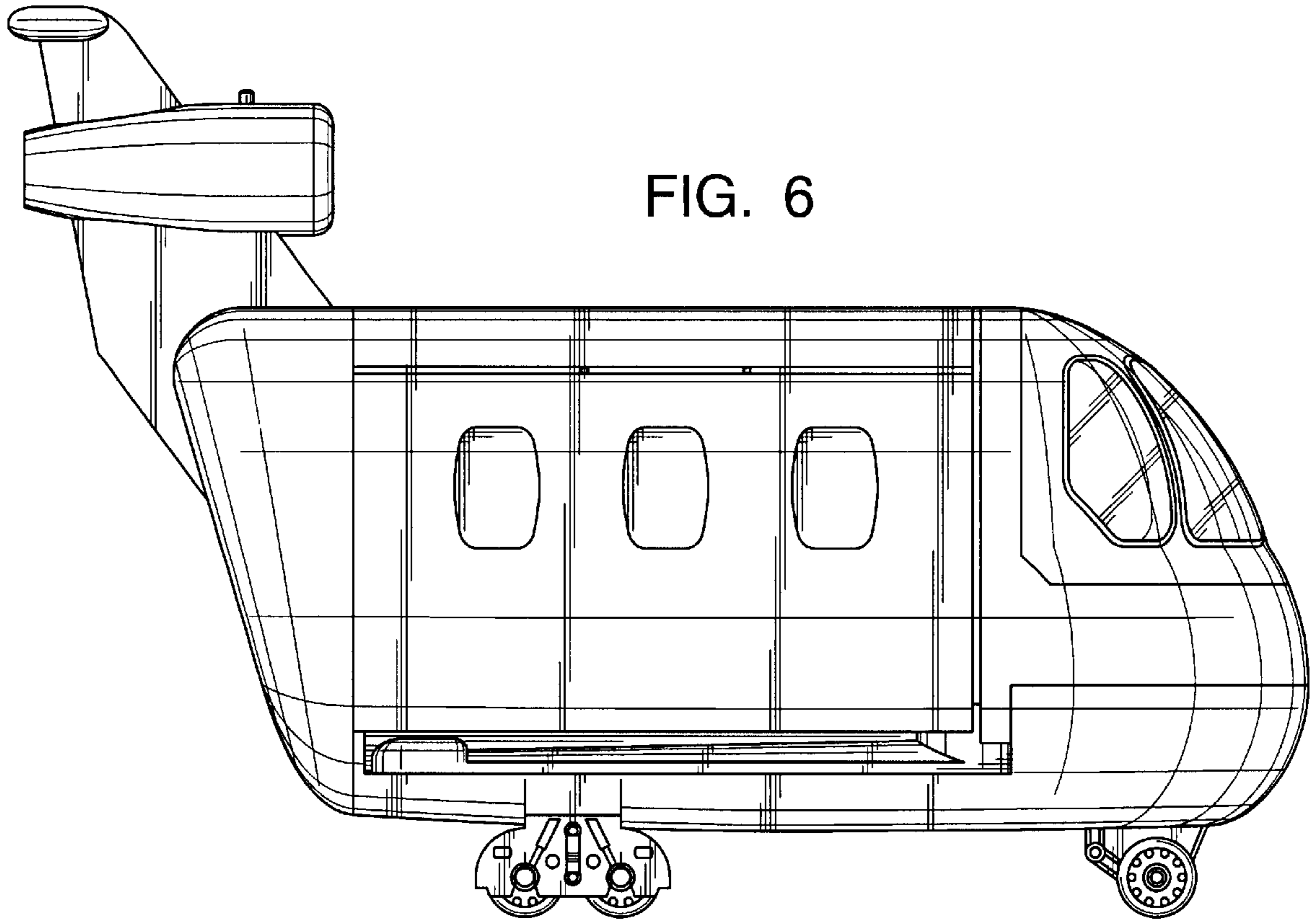


FIG. 5



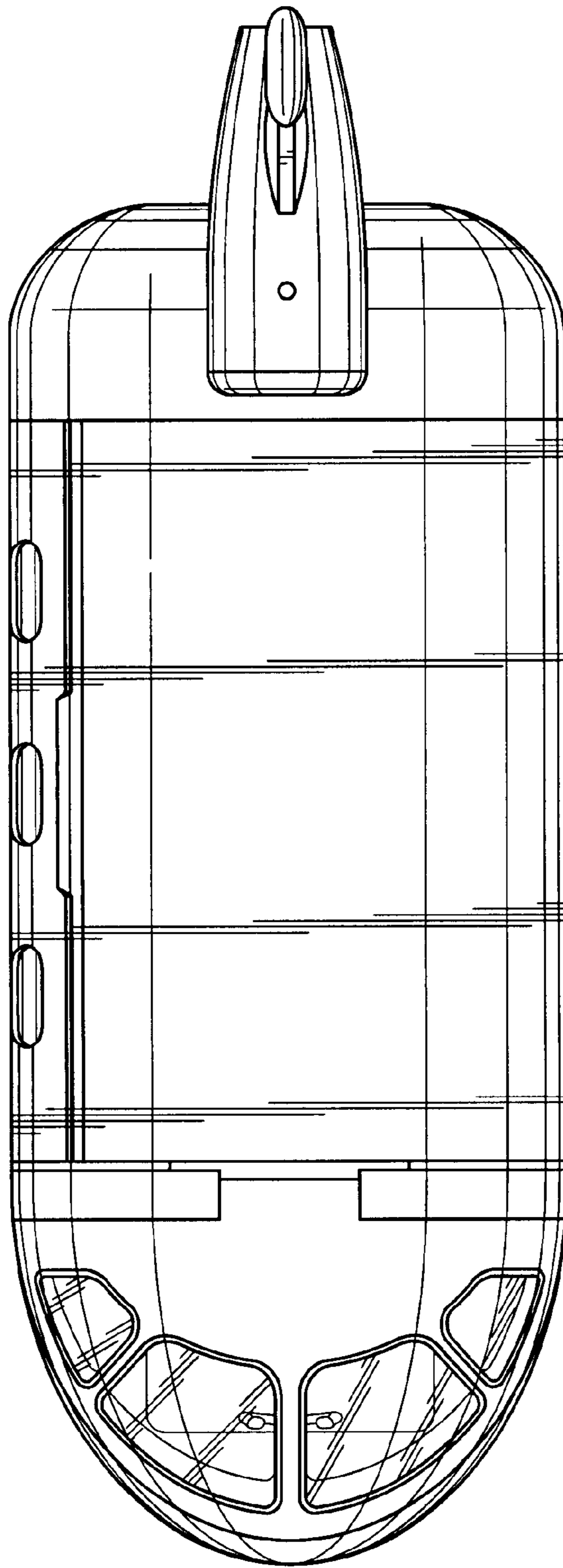


FIG. 8

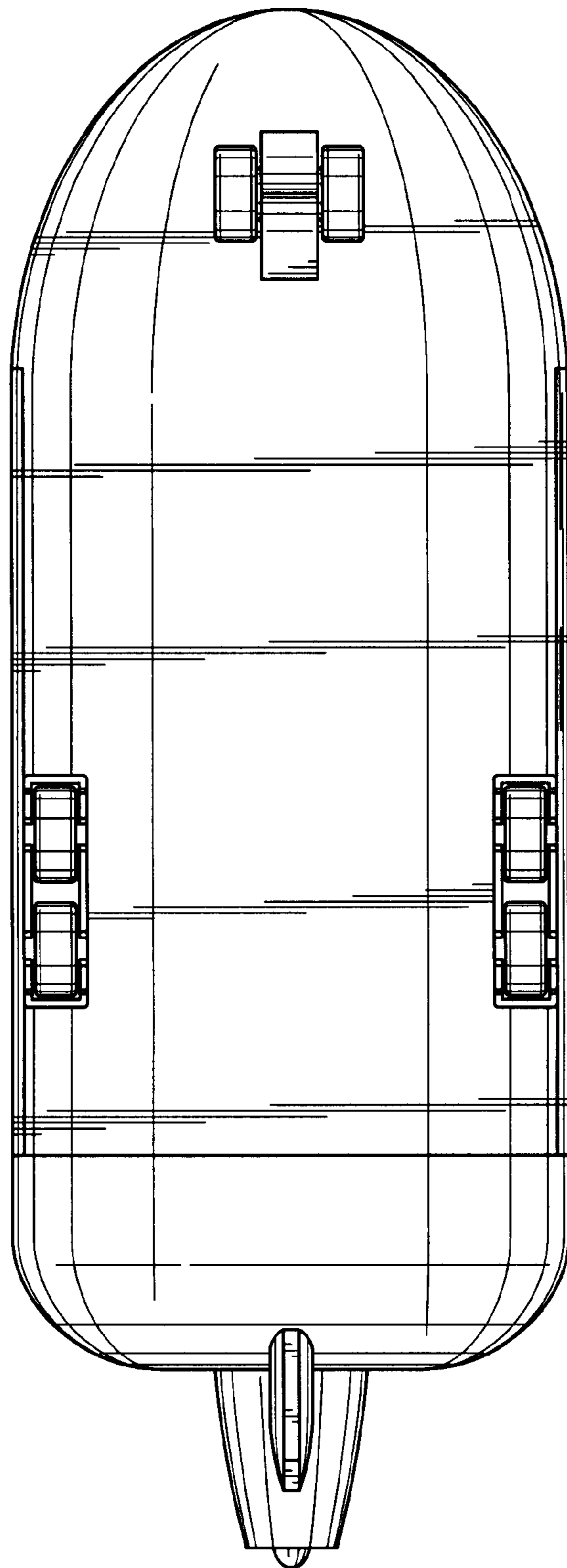


FIG. 9