



US00D449657B1

(12) **United States Design Patent**
Fisher

(10) **Patent No.:** **US D449,657 S**

(45) **Date of Patent:** **** Oct. 23, 2001**

(54) **TOY WITH SUPPORT STAND**

(75) Inventor: **Steven W. Fisher**, Kirkland, WA (US)

(73) Assignee: **Microsoft Corporation**, Redmond, WA (US)

(**) Term: **14 Years**

(21) Appl. No.: **29/136,968**

(22) Filed: **Feb. 12, 2001**

(51) **LOC (7) Cl.** **21-01**

(52) **U.S. Cl.** **D21/398; D21/475**

(58) **Field of Search** D21/398, 405,
D21/409, 468, 475; D19/59, 60; 446/227,
404, 408; 434/258-260

(56) **References Cited**

U.S. PATENT DOCUMENTS

D. 187,218	*	2/1960	McHugh	D21/475
D. 205,185	*	7/1966	Ryan	D21/405
D. 236,141	*	7/1975	Snyder	D21/475
D. 275,502	*	9/1984	Nakao et al.	D21/475
D. 392,321	*	3/1998	Chan	D19/60
D. 398,862	*	9/1998	Lane	D21/398

D. 413,149	*	8/1999	Chan et al.	D21/475
D. 413,941	*	9/1999	Ko	D21/475

* cited by examiner

Primary Examiner—Dominic Simone

(74) *Attorney, Agent, or Firm*—Banner & Witcoff, Ltd.

(57) **CLAIM**

The ornamental design for a toy with support stand, as shown and described.

DESCRIPTION

FIG. 1 is a first perspective view of a toy with support stand showing my new design;

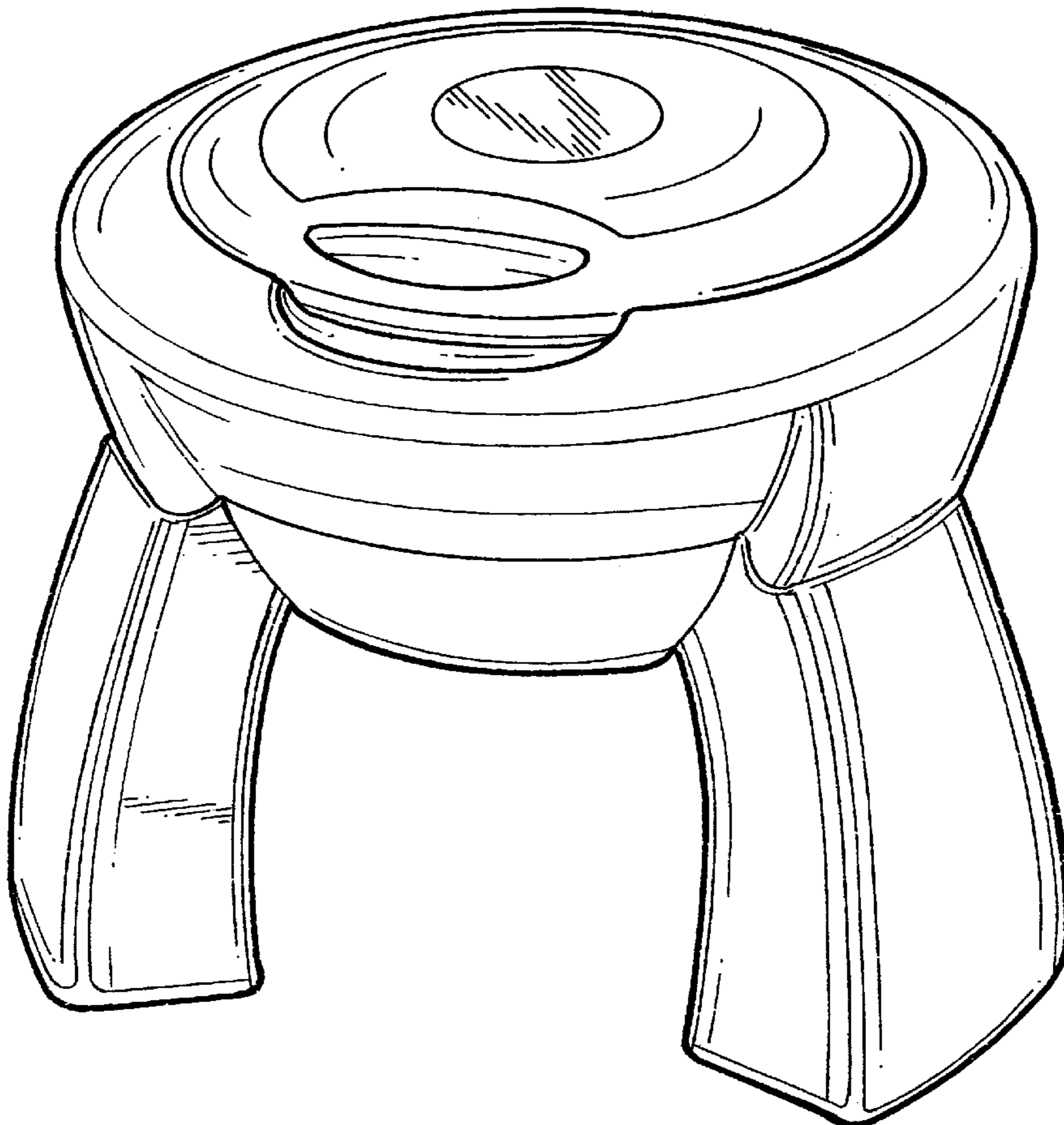
FIG. 2 is a side elevational view thereof; the two other side elevational views of the toy with support stand spaced at 120° intervals being substantially identical to FIG. 2 except for the locations of the recesses at the top of the stand;

FIG. 3 is a second perspective view thereof; and,

FIG. 4 is a top plan view thereof.

The unshown portions of the toy, the unshaded area within the generally oval-shaped region, and the bottom of the support stand form no part of the claimed design.

1 Claim, 4 Drawing Sheets



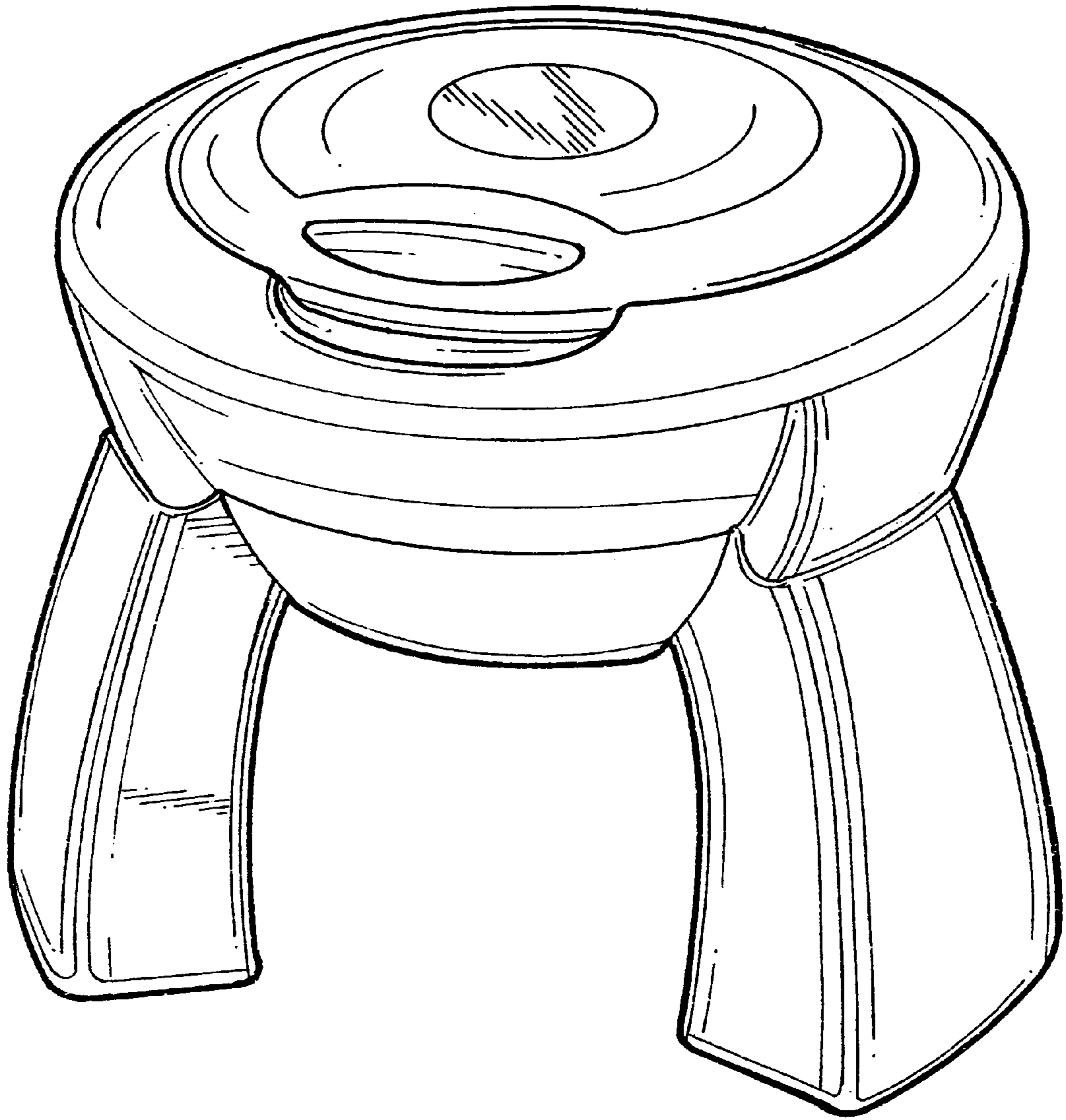


FIG. 1

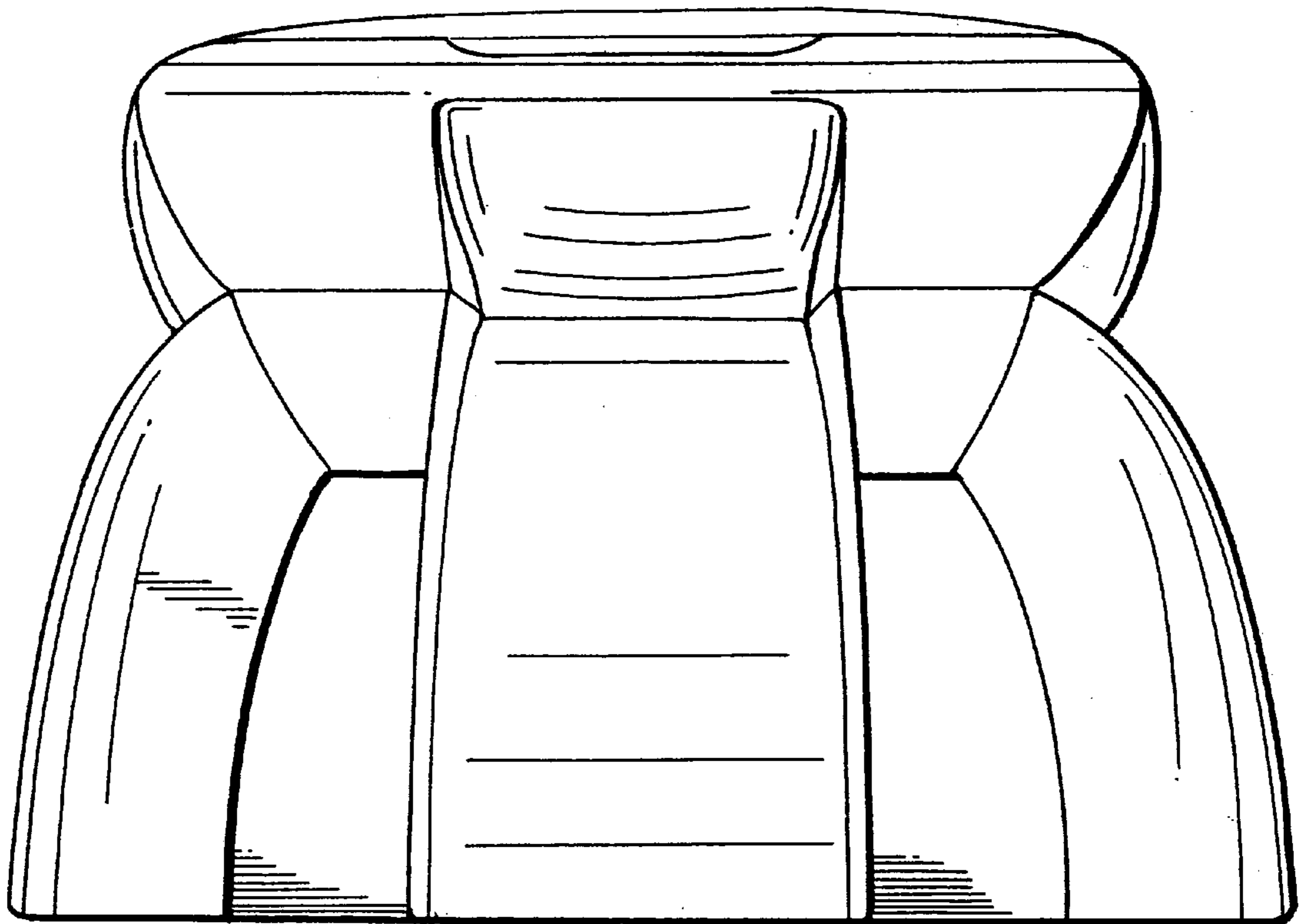


FIG. 2

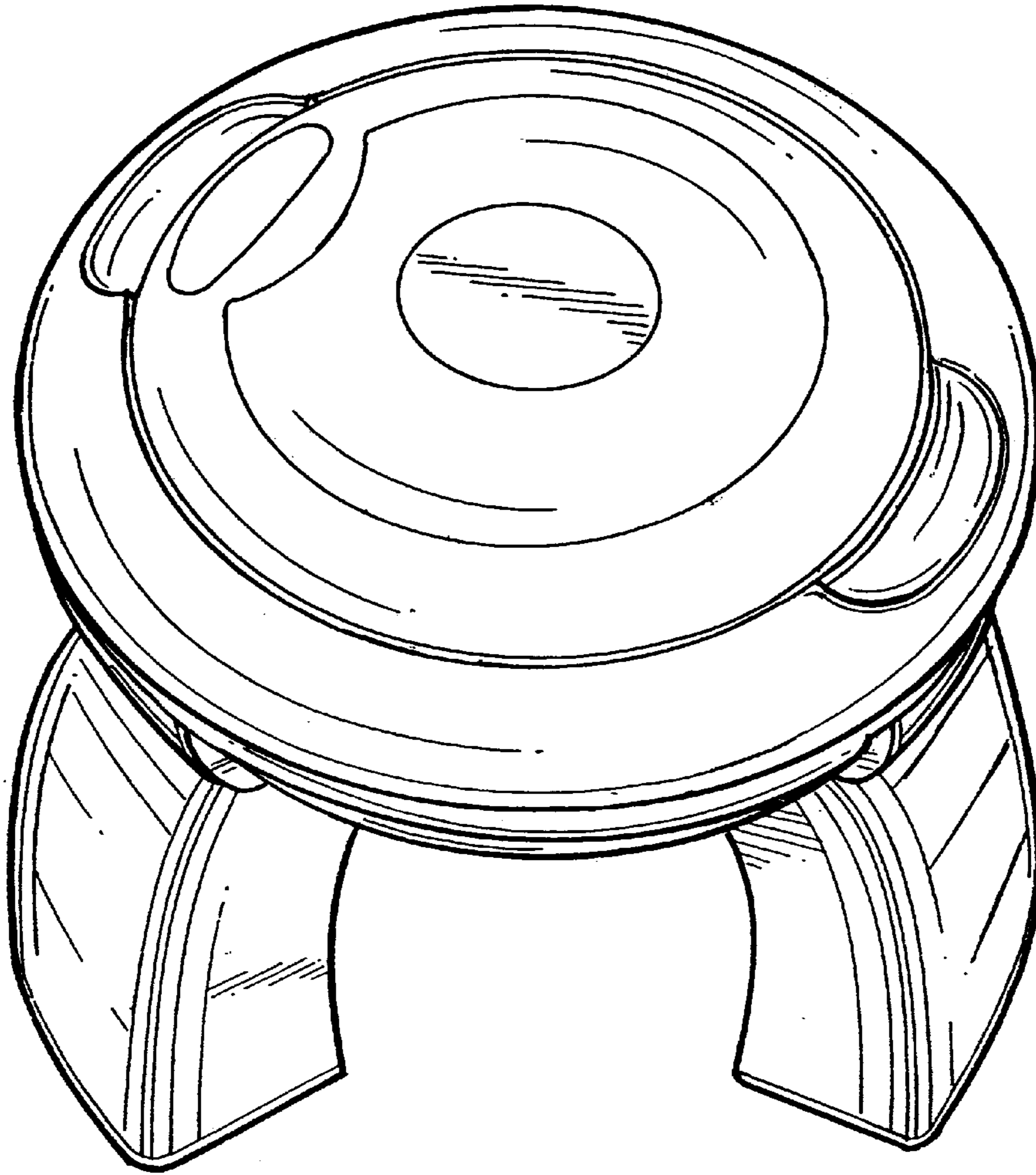


FIG. 3

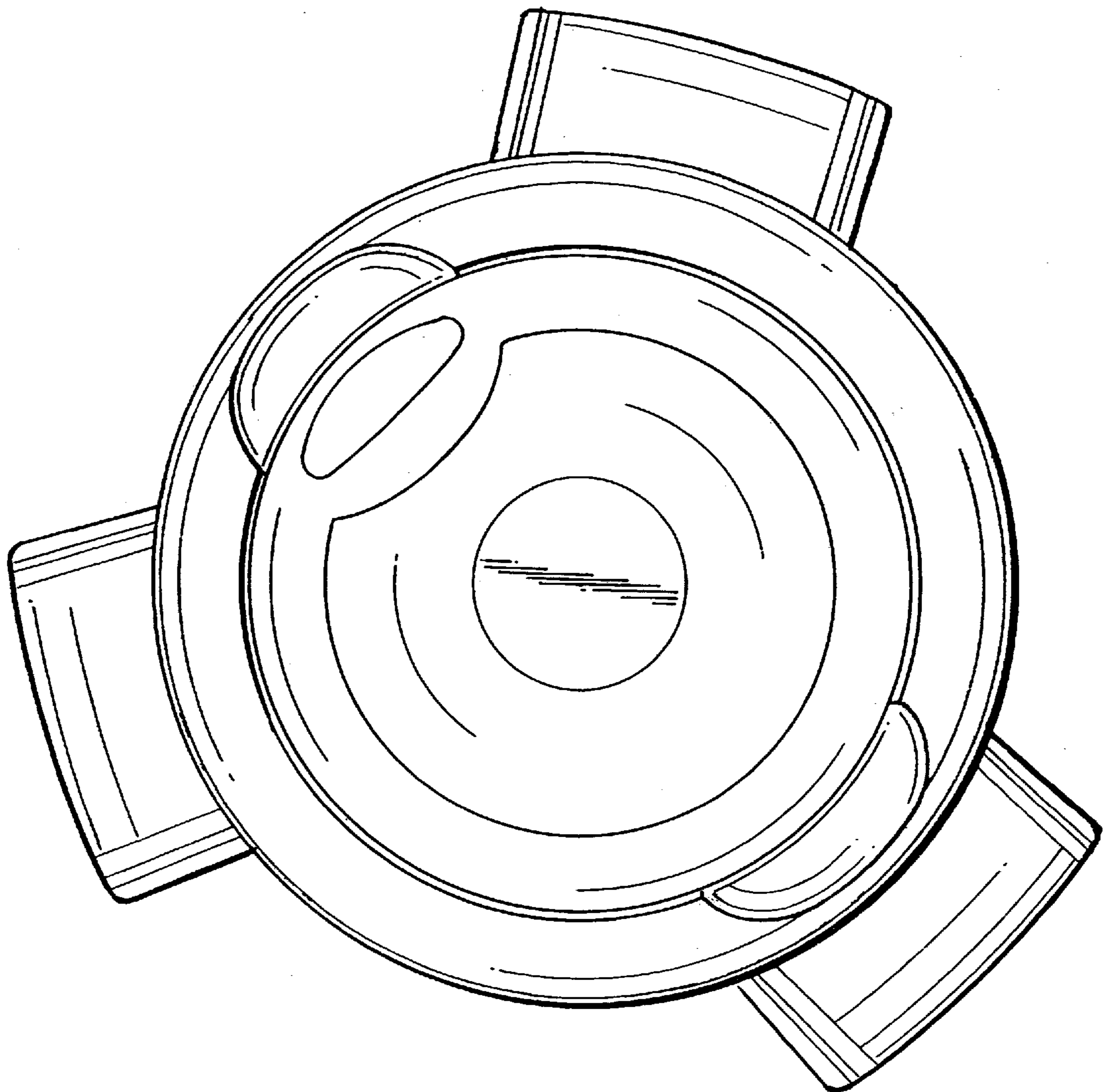


FIG. 4