



US00D449652B1

(12) **United States Design Patent**
De Regt et al.

(10) **Patent No.:** **US D449,652 S**

(45) **Date of Patent:** **** Oct. 23, 2001**

(54) **ADHESIVE TAPE REFILL**

(75) Inventors: **Jeroen Daniel De Regt, Oss; Eelco Han De Man, Helmond, both of (NL)**

(73) Assignee: **Ray Technology Group B.V. (NL)**

(**) Term: **14 Years**

(21) Appl. No.: **29/137,838**

(22) Filed: **Feb. 28, 2001**

Related U.S. Application Data

(62) Division of application No. 29/124,717, filed on Jun. 9, 2000, now Pat. No. Des. 441,795.

(30) **Foreign Application Priority Data**

Dec. 9, 1999 (XH) DM/050 340

(51) **LOC (7) Cl.** **19-02**

(52) **U.S. Cl.** **D19/69; D19/67**

(58) **Field of Search** 83/648, 649; D19/65, D19/67, 68, 69, 72, 89, 99, 100; 156/327, 523, 527, 577; 225/6, 7, 11, 12, 19, 22, 25, 34, 45, 56, 74, 77, 89; 118/35-49; 242/588, 588.1-588.6, 590, 564.4

(56) **References Cited**

U.S. PATENT DOCUMENTS

D. 228,815 * 10/1973 Campbell, Jr. D19/69

D. 418,165	*	12/1999	Katami	D19/69
D. 441,795	*	5/2001	De Regt et al.	D19/69
1,638,816	*	8/1927	Krueger	118/41
1,652,715	*	12/1927	Hanscom	118/42
2,654,598	*	10/1953	Krueger	225/43 X
2,698,660	*	1/1955	Aurbach	83/649 X
3,740,299	*	6/1973	Schroter et al.	156/577
5,814,184	*	9/1998	Denkins	156/577

* cited by examiner

Primary Examiner—Martie K. Holtje
(74) *Attorney, Agent, or Firm*—Oldham & Oldham Co., L.P.A.

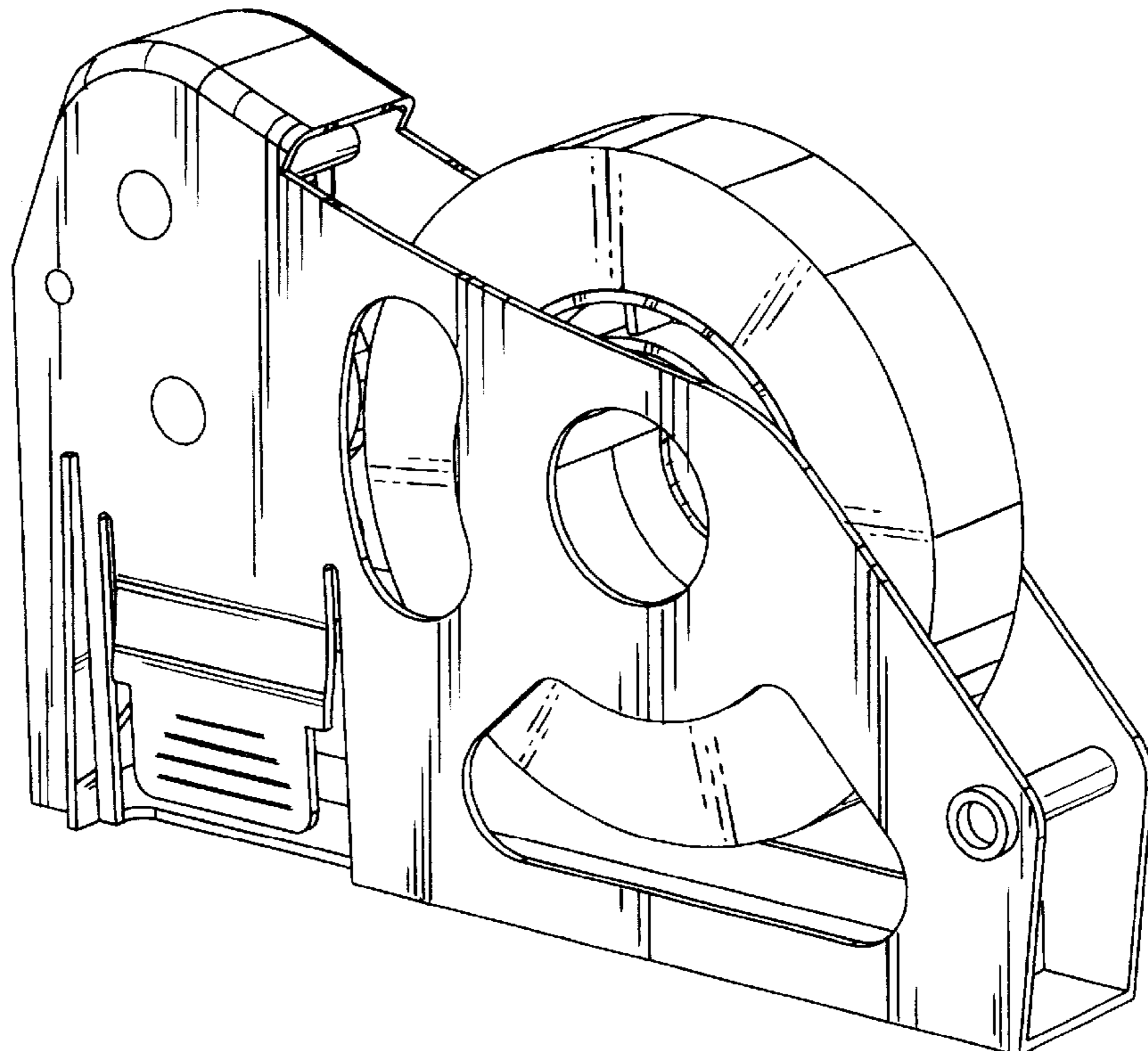
(57) **CLAIM**

The ornamental design for a adhesive tape refill, as shown and described.

DESCRIPTION

FIG. 1 is a rear perspective view of a new design for the adhesive tape refill;
FIG. 2 is a front perspective view of FIG. 1;
FIG. 3 is a front elevational view of FIG. 1;
FIG. 4 is a right side elevational view of FIG. 1;
FIG. 5 is a rear elevational view of FIG. 1;
FIG. 6 is a bottom plan view of FIG. 1;
FIG. 7 is a left side elevational view of FIG. 1; and,
FIG. 8 is a top plan view of FIG. 1.

1 Claim, 2 Drawing Sheets



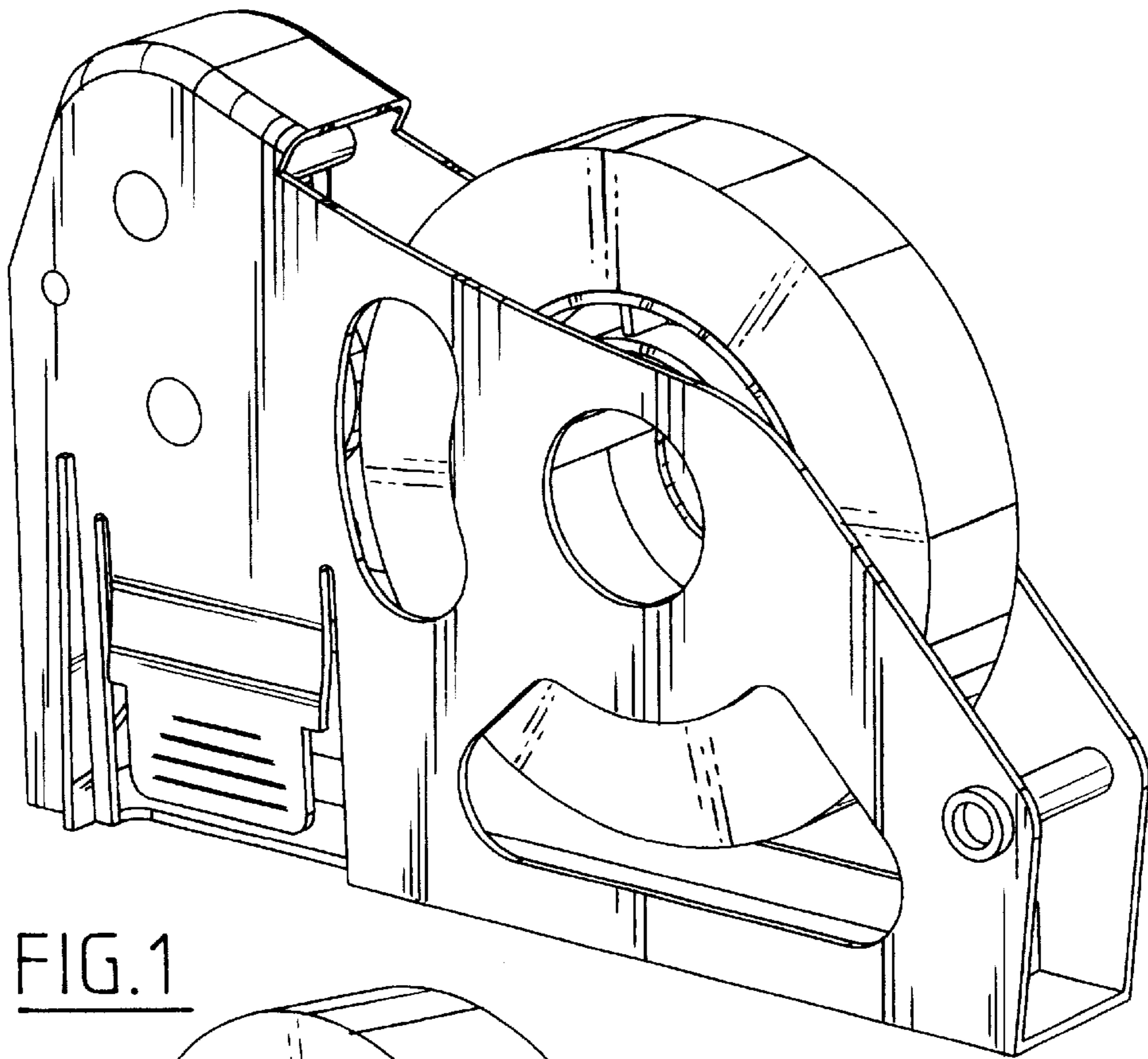


FIG. 1

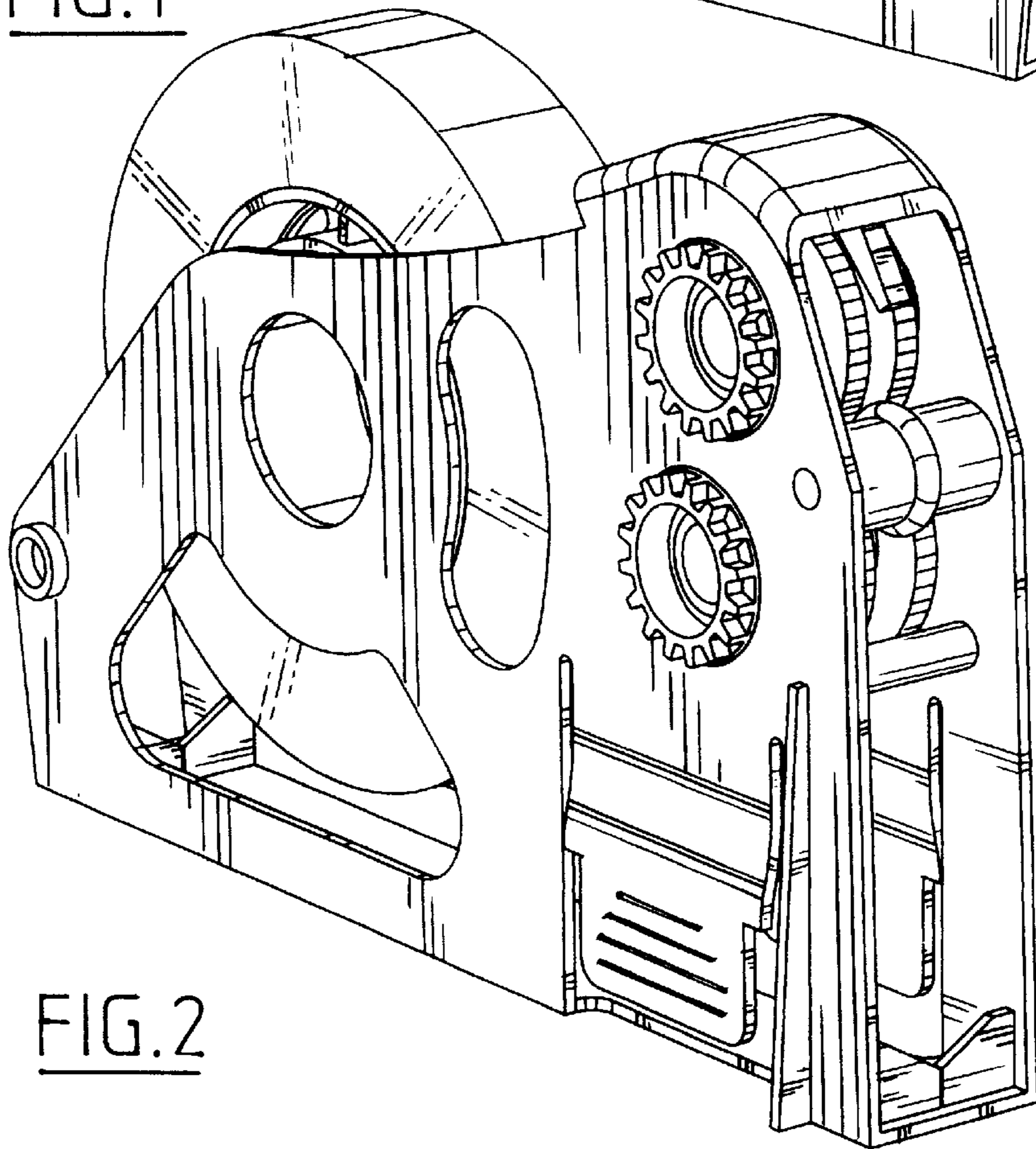


FIG. 2

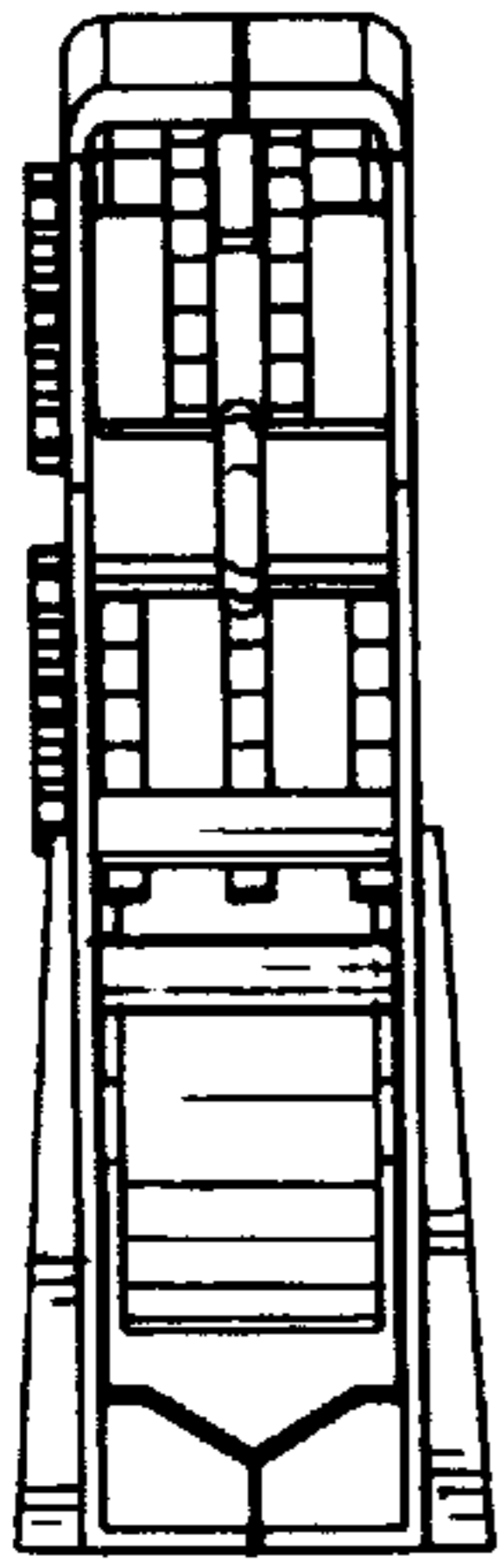


FIG. 3

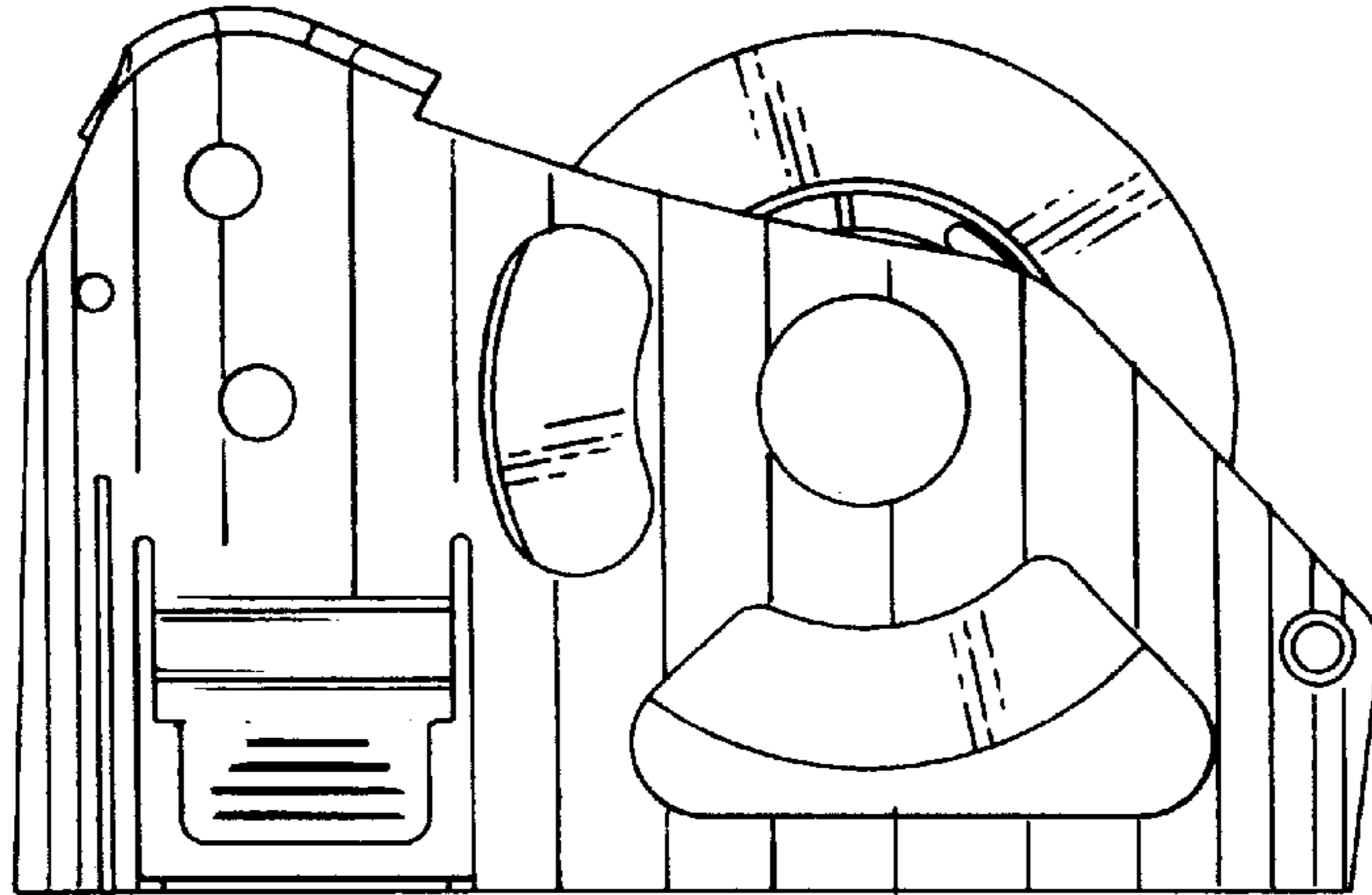


FIG. 4

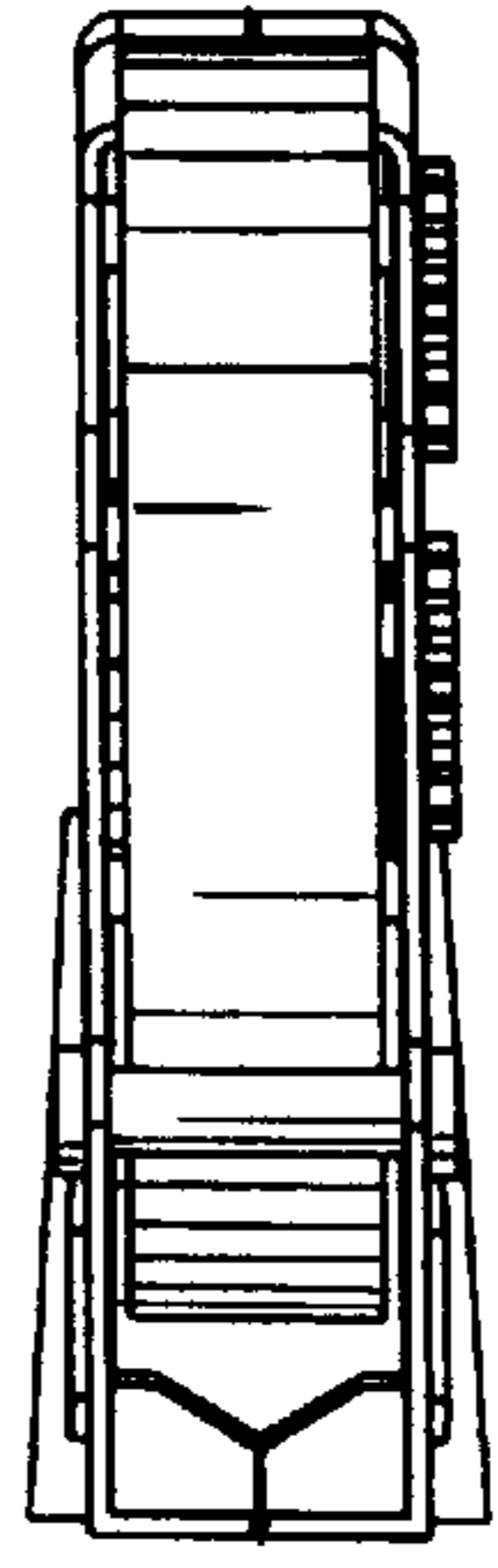


FIG. 5

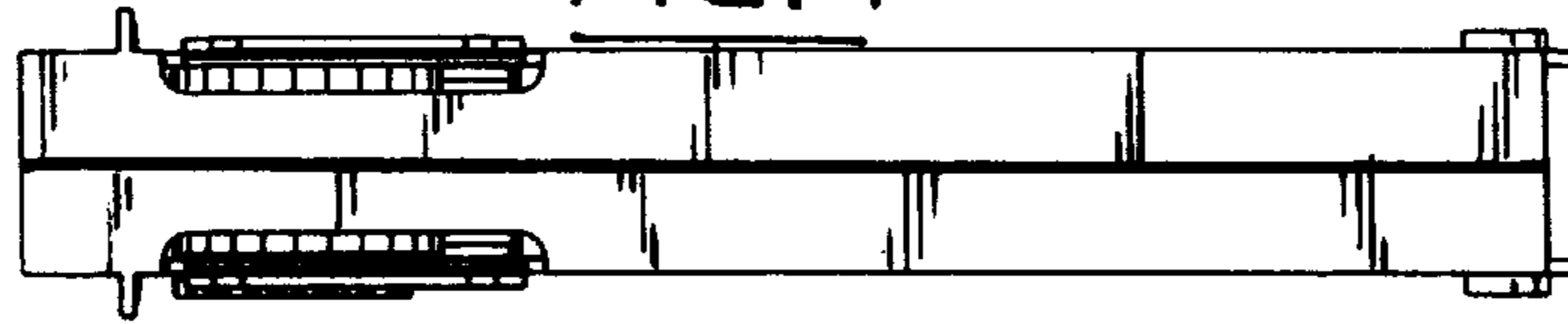


FIG. 6

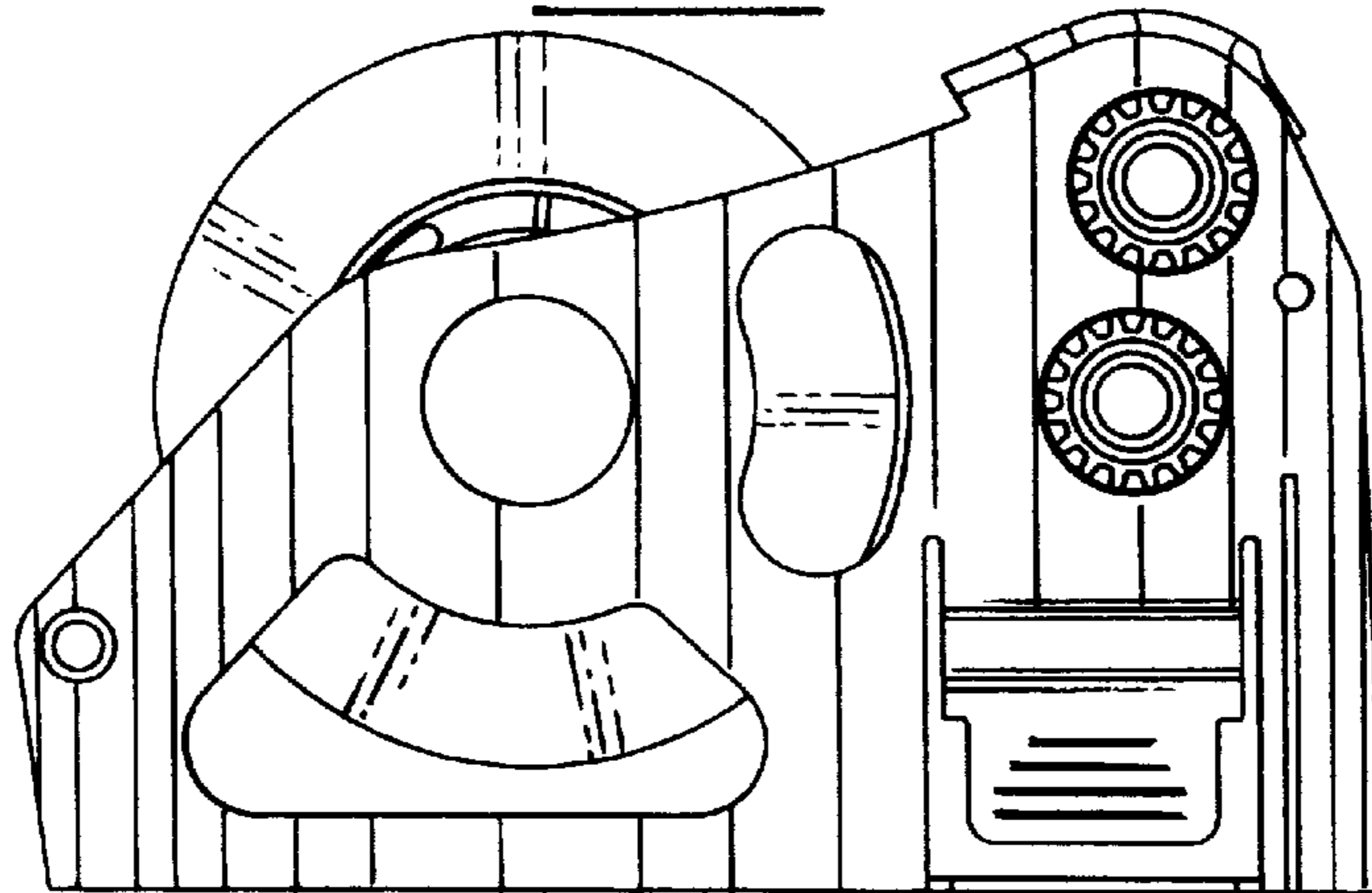


FIG. 7

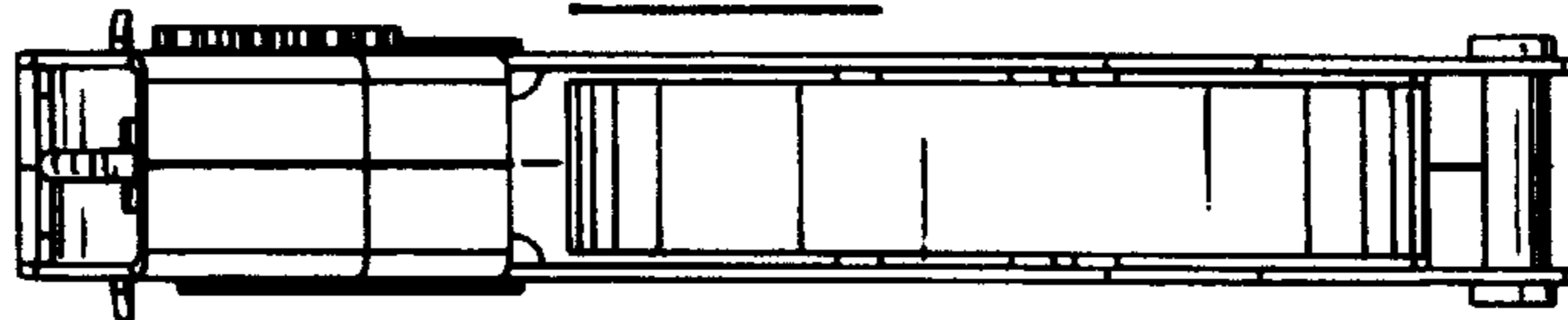


FIG. 8