



US00D449649B1

(12) **United States Design Patent**
Takanashi

(10) **Patent No.:** **US D449,649 S**

(45) **Date of Patent:** **** Oct. 23, 2001**

(54) **MARKER**

(75) Inventor: **Kazuhiko Takanashi**, Tokyo (JP)

(73) Assignee: **Mitsubishi Pencil Co., Ltd.**, Tokyo (JP)

(**) Term: **14 Years**

(21) Appl. No.: **29/118,125**

(22) Filed: **Feb. 7, 2000**

(30) **Foreign Application Priority Data**

Aug. 6, 1999 (JP) 11-21012

(51) **LOC (7) Cl.** **19-06**

(52) **U.S. Cl.** **D19/43**

(58) **Field of Search** D19/35, 36, 41-51,
D19/53-58, 81-85; 401/6, 7, 88, 98, 202,
196, 198, 261, 262, 243-247

(56) **References Cited**

U.S. PATENT DOCUMENTS

- D. 162,805 * 4/1951 Ferber D19/55
- D. 202,952 * 11/1965 Stephens, Jr. D19/49
- D. 259,792 * 7/1981 Itoh et al. D19/51
- D. 286,547 * 11/1986 Koizumi et al. D19/51
- D. 313,245 * 12/1990 Iwase D19/43
- D. 329,661 * 9/1992 Kimura D19/53
- D. 340,947 * 11/1993 Tu D19/43
- 1,075,631 * 10/1913 Dods 401/246

3,343,293 * 9/1967 Kirklen 401/195 X

* cited by examiner

Primary Examiner—Martie K. Holtje

(74) *Attorney, Agent, or Firm*—Foley & Lardner

(57) **CLAIM**

The ornamental design for a marker, as shown and described.

DESCRIPTION

FIG. 1 is a perspective view of a marker showing my new design;

FIG. 2 is a front elevational view of FIG. 1;

FIG. 3 is a left side elevational view of FIG. 1;

FIG. 4 is a rear elevational view of FIG. 1;

FIG. 5 is a right side elevational view of FIG. 1;

FIG. 6 is a top plan view of FIG. 1;

FIG. 7 is a bottom plan view of FIG. 1;

FIG. 8 is a front elevational view of the body with the cap removed for convenience of illustration;

FIG. 9 is a right side elevational view of the body with the cap removed for convenience of illustration;

FIG. 10 is a rear elevational view of the body with the cap removed for convenience of illustration;

FIG. 11 is a top plan view of the body with the cap removed for convenience of illustration; and,

FIG. 12 is a bottom plan view of the cap with the body removed for convenience of illustration.

1 Claim, 3 Drawing Sheets

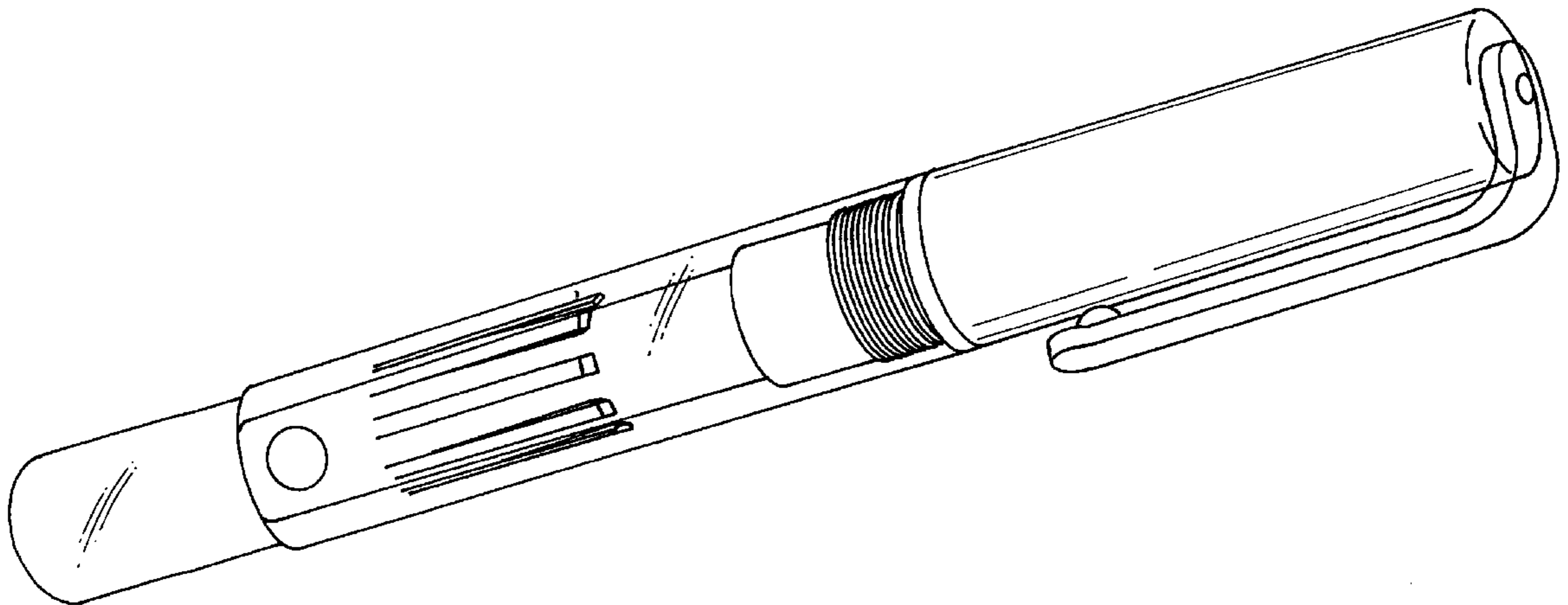


FIG. 1

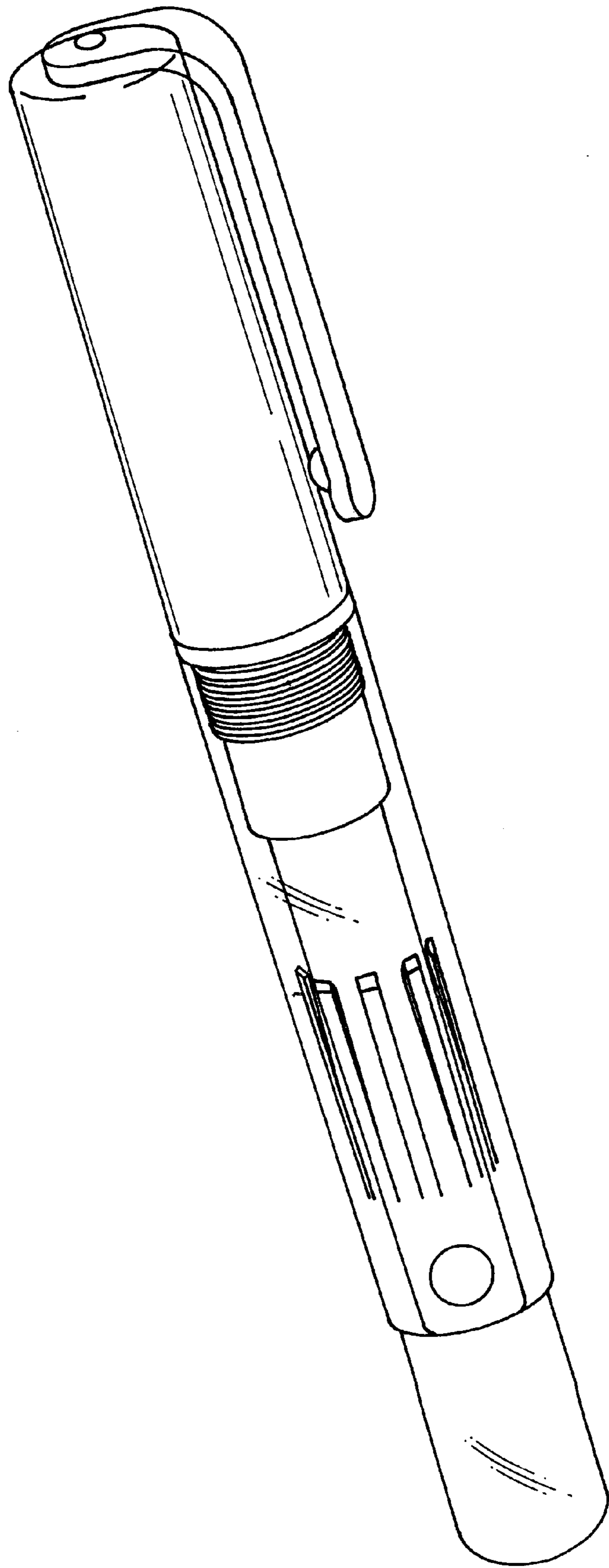


FIG. 2

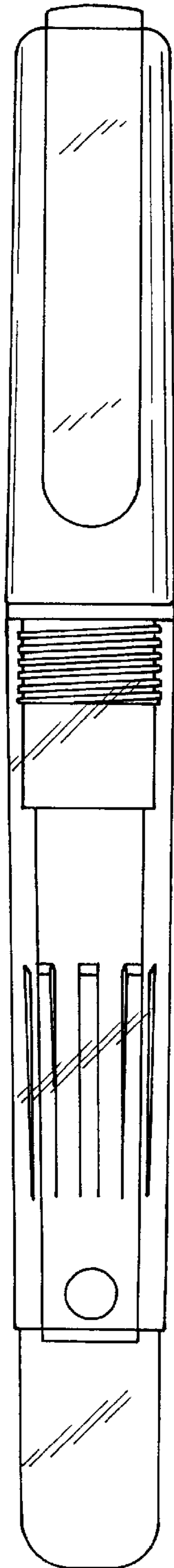


FIG. 3

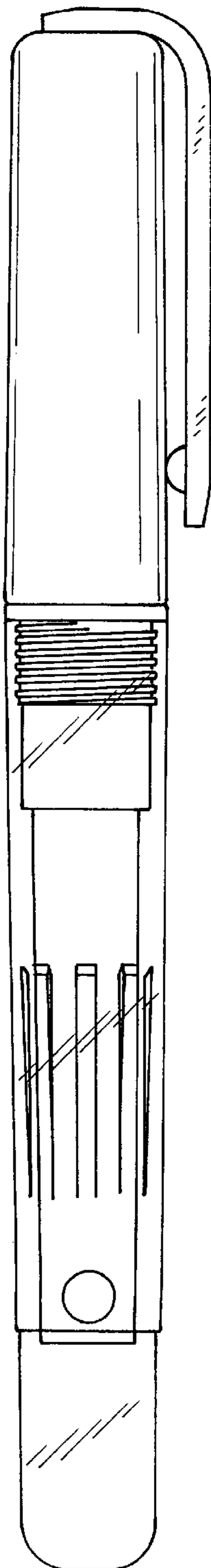


FIG. 4

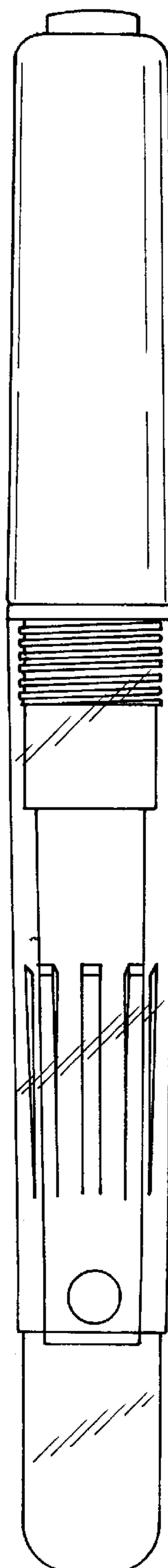


FIG. 5

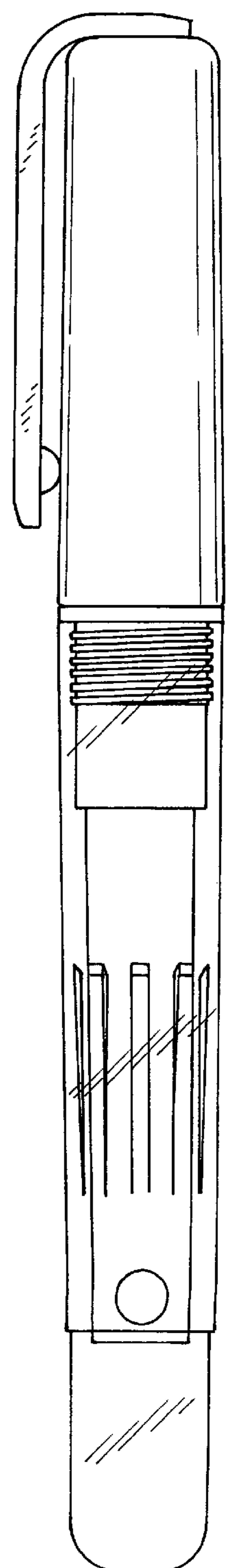


FIG. 8

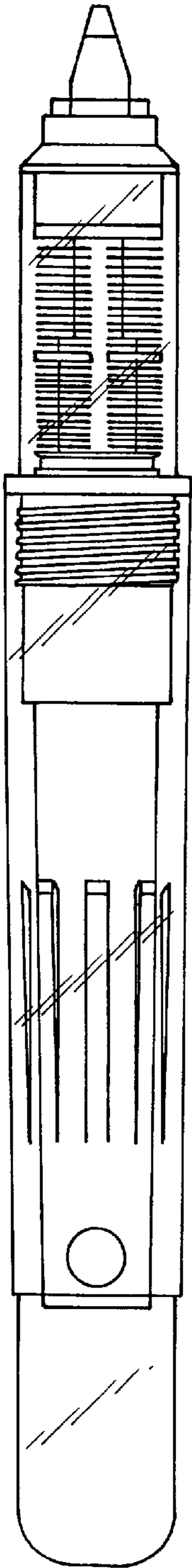


FIG. 9

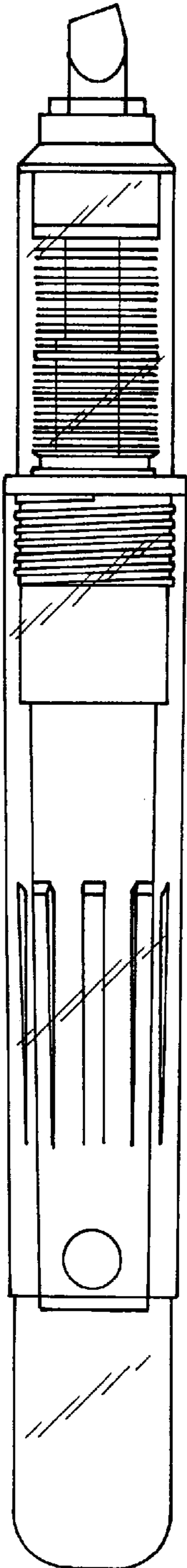


FIG. 10

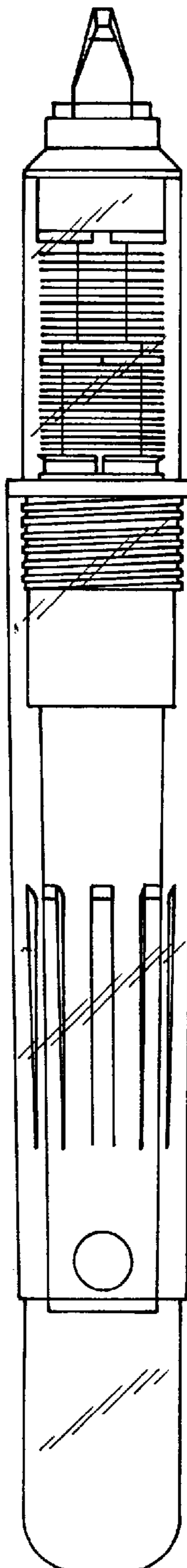


FIG. 6

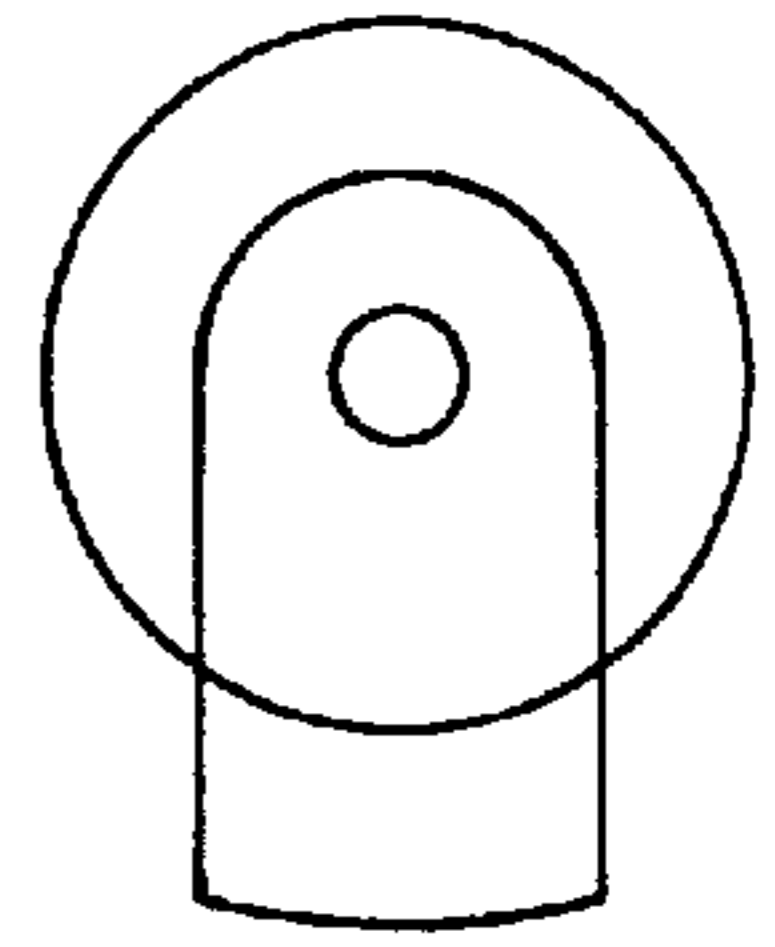


FIG. 7

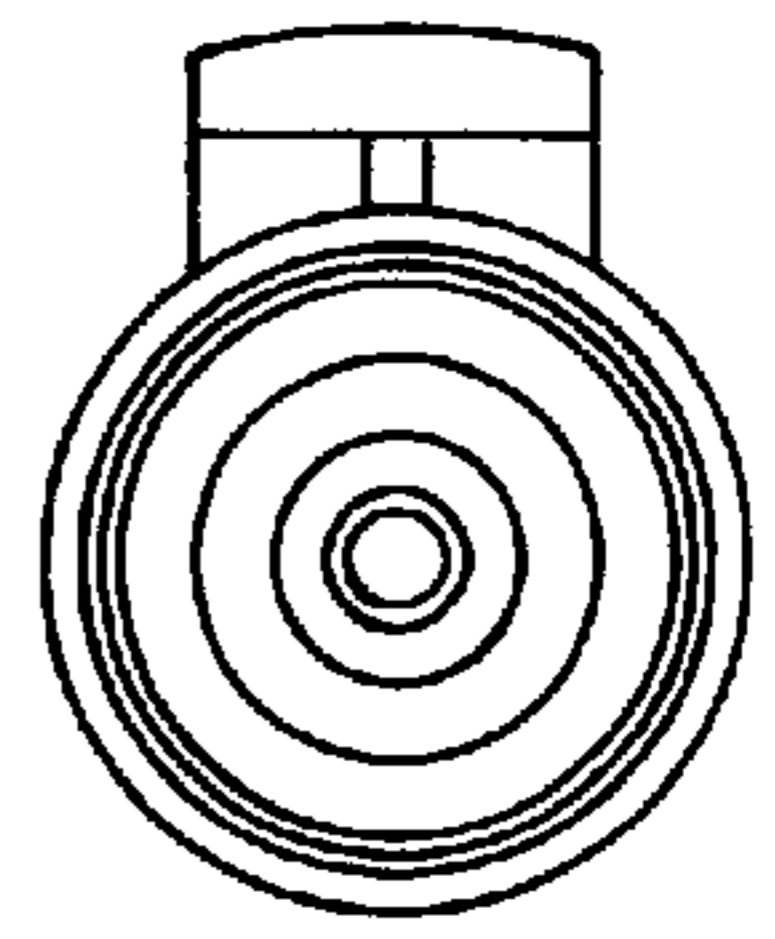


FIG. 11

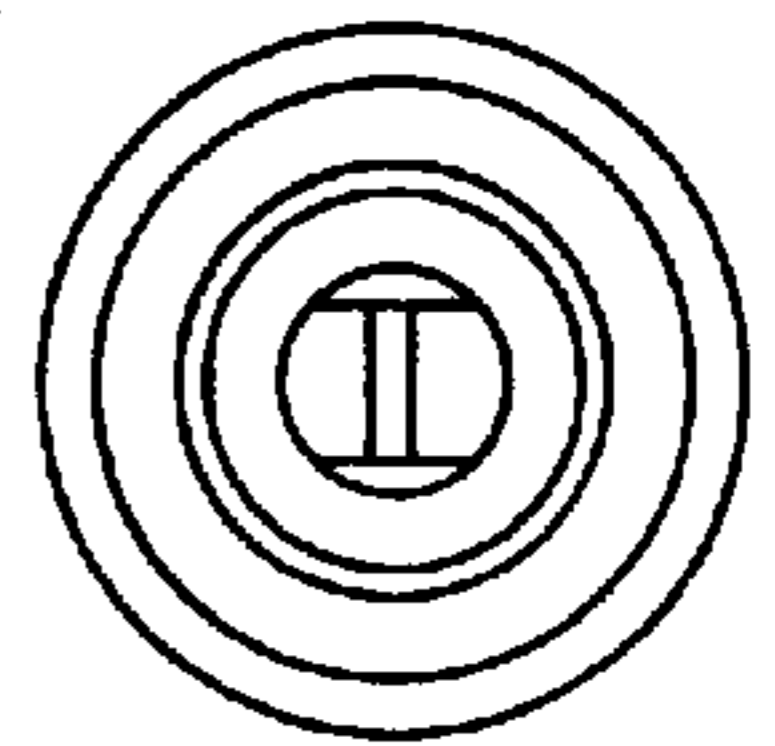


FIG. 12

