



US00D449638B1

(12) **United States Design Patent**  
**Boyle et al.**

(10) **Patent No.:** **US D449,638 S**

(45) **Date of Patent:** **\*\* Oct. 23, 2001**

(54) **DIGITAL CAMERA ACCESSORY MODULE**

5,392,447 \* 2/1995 Schlack et al. .... 345/339  
5,604,663 \* 2/1997 Shin et al. .... 361/686

(75) Inventors: **Dennis Joseph Boyle; Charles R. Lewis, Jr.**, both of Palo Alto, CA (US)

\* cited by examiner

(73) Assignee: **IDEO Product Development Inc.**, Palo Alto, CA (US)

*Primary Examiner*—Adir Aronovich

(74) *Attorney, Agent, or Firm*—Carr & Ferrell LLP

(\*\*) Term: **14 Years**

(57) **CLAIM**

The ornamental design for a digital camera accessory module, as shown and described.

(21) Appl. No.: **29/116,701**

(22) Filed: **Jan. 7, 2000**

**DESCRIPTION**

(51) **LOC (7) Cl.** ..... **16-05**

(52) **U.S. Cl.** ..... **D16/242**

(58) **Field of Search** ..... D14/433, 434;  
D16/200, 202, 203–205, 219, 237, 242;  
361/679, 686, 728; 396/429, 430, 419,  
422; 345/339; 348/373–376

FIG. 1 is a perspective view showing the front and left side of a digital camera accessory module according to our new design;

FIG. 2 is a perspective view showing the bottom and right side of the digital camera accessory module;

FIG. 3 is a top view of the digital camera accessory module;

FIG. 4 is a front view of the digital camera accessory module; and,

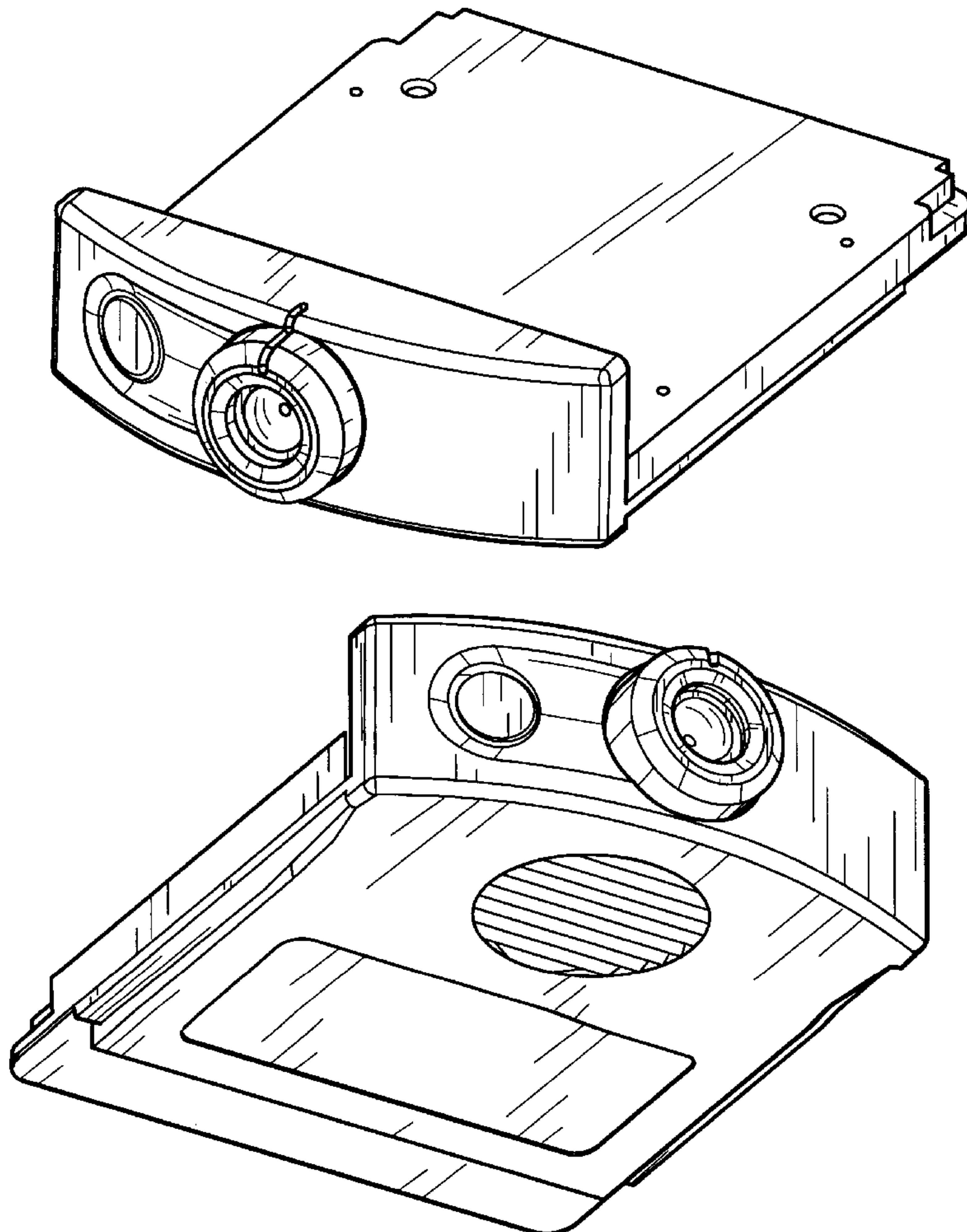
FIG. 5 is a bottom view of the digital camera accessory module.

(56) **References Cited**

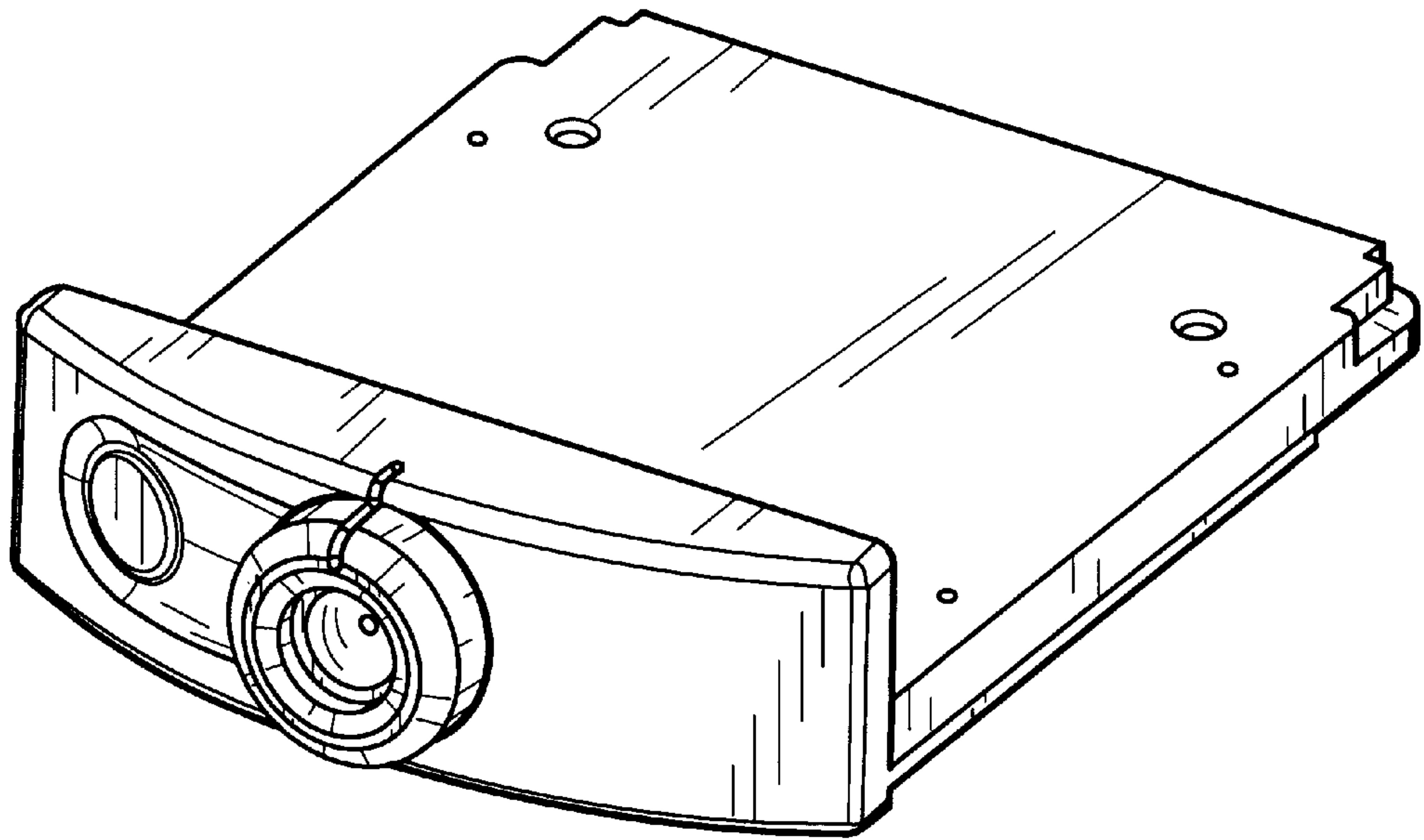
**U.S. PATENT DOCUMENTS**

D. 412,494 \* 8/1999 Tamaki et al. .... D14/434  
4,937,676 \* 6/1990 Finelli et al. .... 348/375

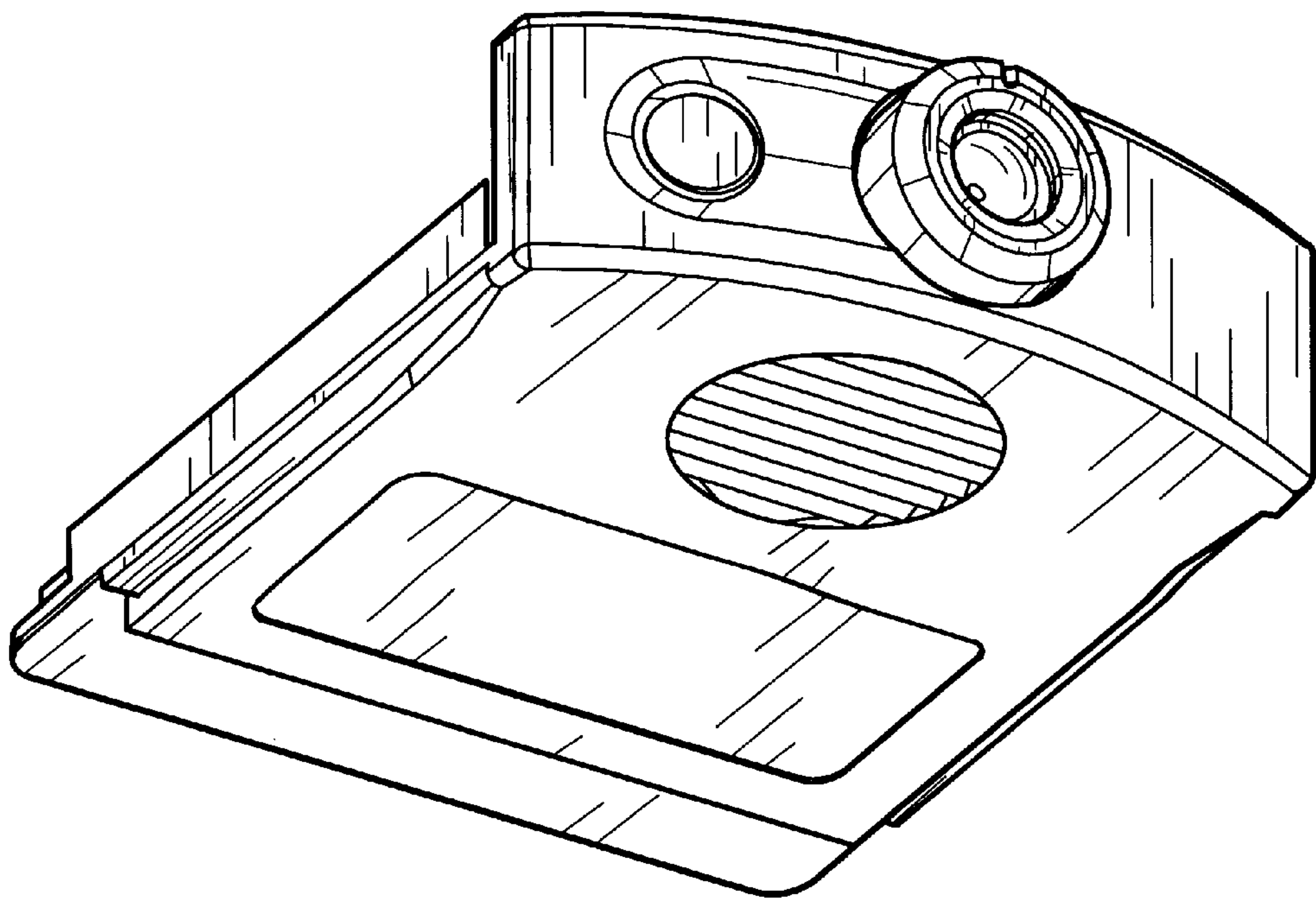
**1 Claim, 3 Drawing Sheets**



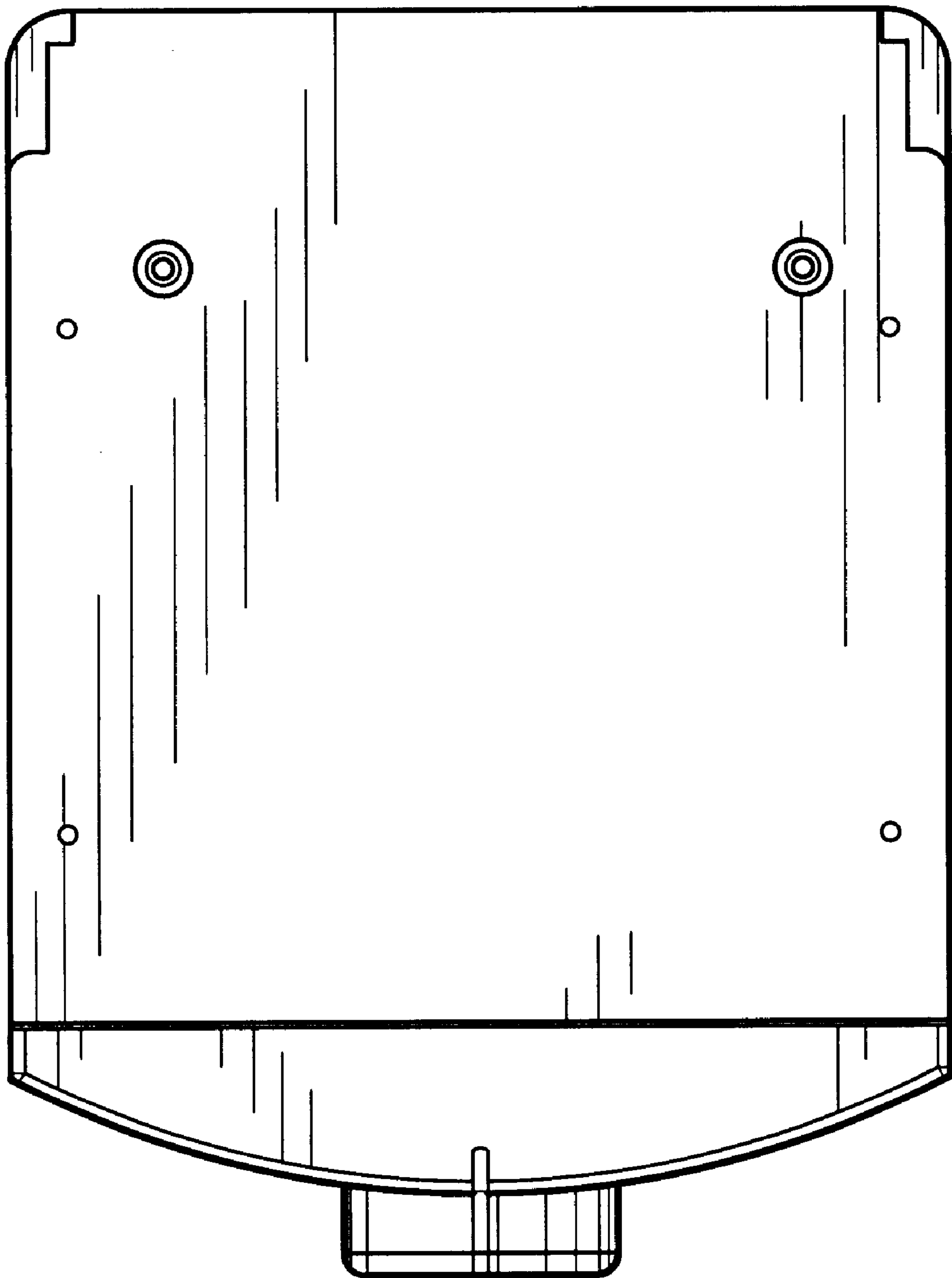
*FIG. 1*



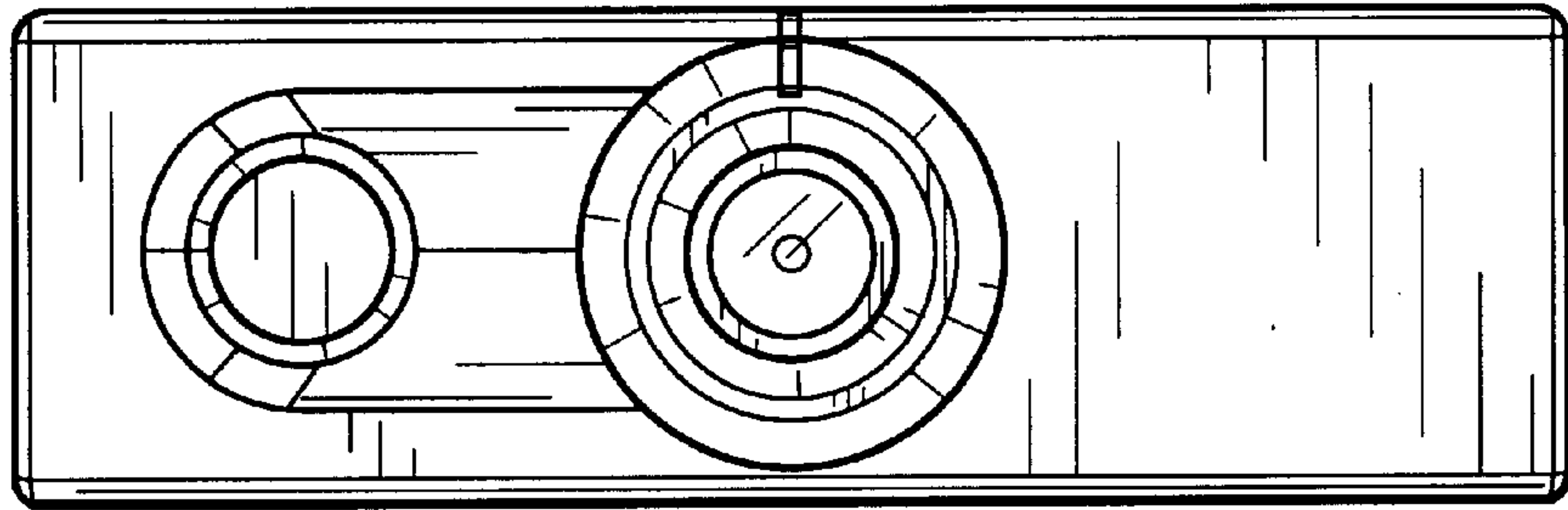
*FIG. 2*



*FIG. 3*



*FIG. 4*



*FIG. 5*

