



US00D449634B1

(12) **United States Design Patent**
Gotham et al.

(10) **Patent No.:** **US D449,634 S**

(45) **Date of Patent:** **** Oct. 23, 2001**

(54) **VERTICAL DIGITAL PROJECTOR**

(75) Inventors: **David R. Gotham**, Rochester; **Paul W. Porter**, Victor; **Samuel F. Swayze**, Fairport, all of NY (US)

(73) Assignee: **Eastman Kodak Company**, Rochester, NY (US)

(**) Term: **14 Years**

(21) Appl. No.: **29/138,421**

(22) Filed: **Mar. 13, 2001**

(51) **LOC (7) Cl.** **16-02**

(52) **U.S. Cl.** **D16/225**

(58) **Field of Search** D14/130; D16/200-203, D16/205, 208, 214, 221, 225, 227, 230; D21/514; 353/115, 119, 122

(56) **References Cited**

U.S. PATENT DOCUMENTS

- D. 140,368 * 2/1945 Pollock D16/214
- D. 150,914 * 9/1948 Wolfer et al. D16/221
- D. 225,868 * 1/1973 Kramer et al. D14/130

- D. 375,296 * 11/1996 Kondo D16/225
- D. 421,620 * 3/2000 Kawamoto et al. D16/230
- D. 423,491 * 4/2000 Harris et al. D14/130

* cited by examiner

Primary Examiner—Adir Aronovich

(74) *Attorney, Agent, or Firm*—Peyton C. Watkins

(57) **CLAIM**

The ornamental design for a vertical digital projector, as shown and described.

DESCRIPTION

FIG. 1 is a front view of a vertical digital projector according to the present invention;

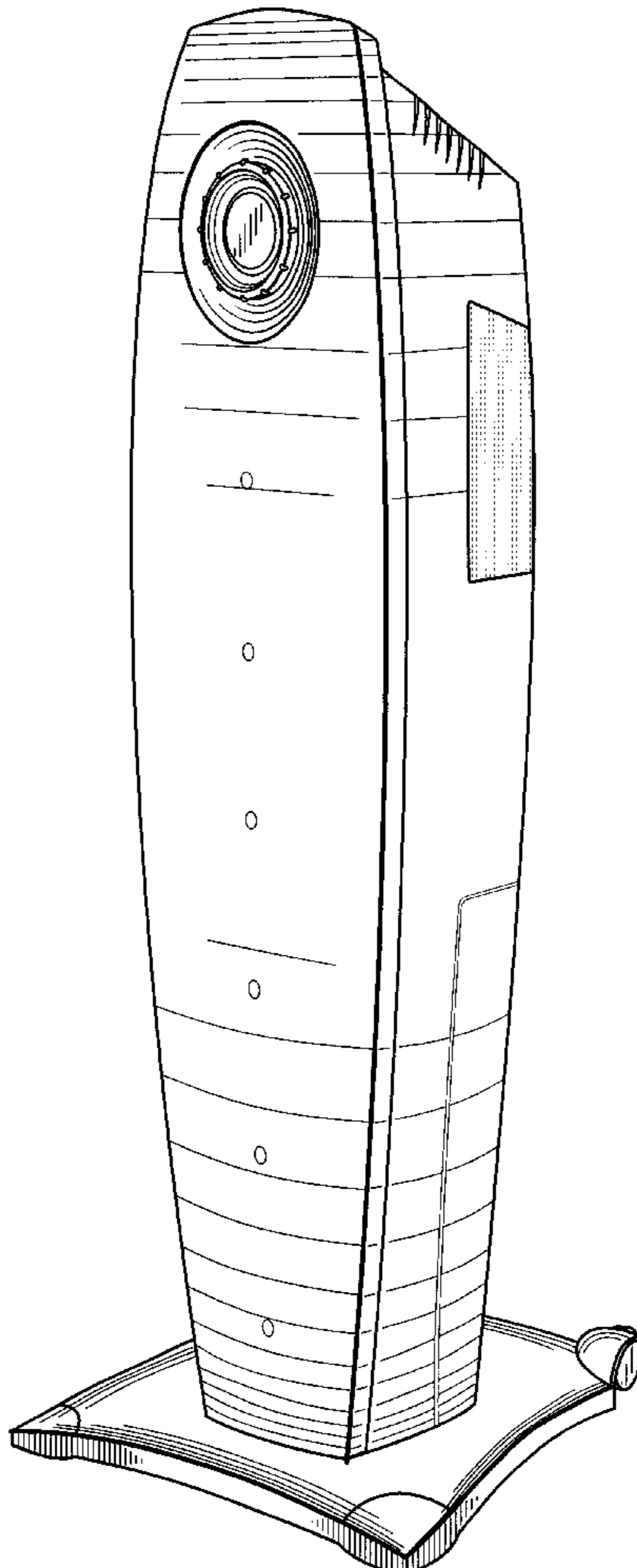
FIG. 2 is a side view of the vertical digital projector thereof, the broken lines shown are to illustrate environment only and form no part of the claimed design;

FIG. 3 is a back view of the vertical digital projector according to the present invention;

FIG. 4 is a perspective view of the vertical digital projector according to the present invention; and,

FIG. 5 is a top view of the vertical digital projector according to the present invention.

1 Claim, 5 Drawing Sheets



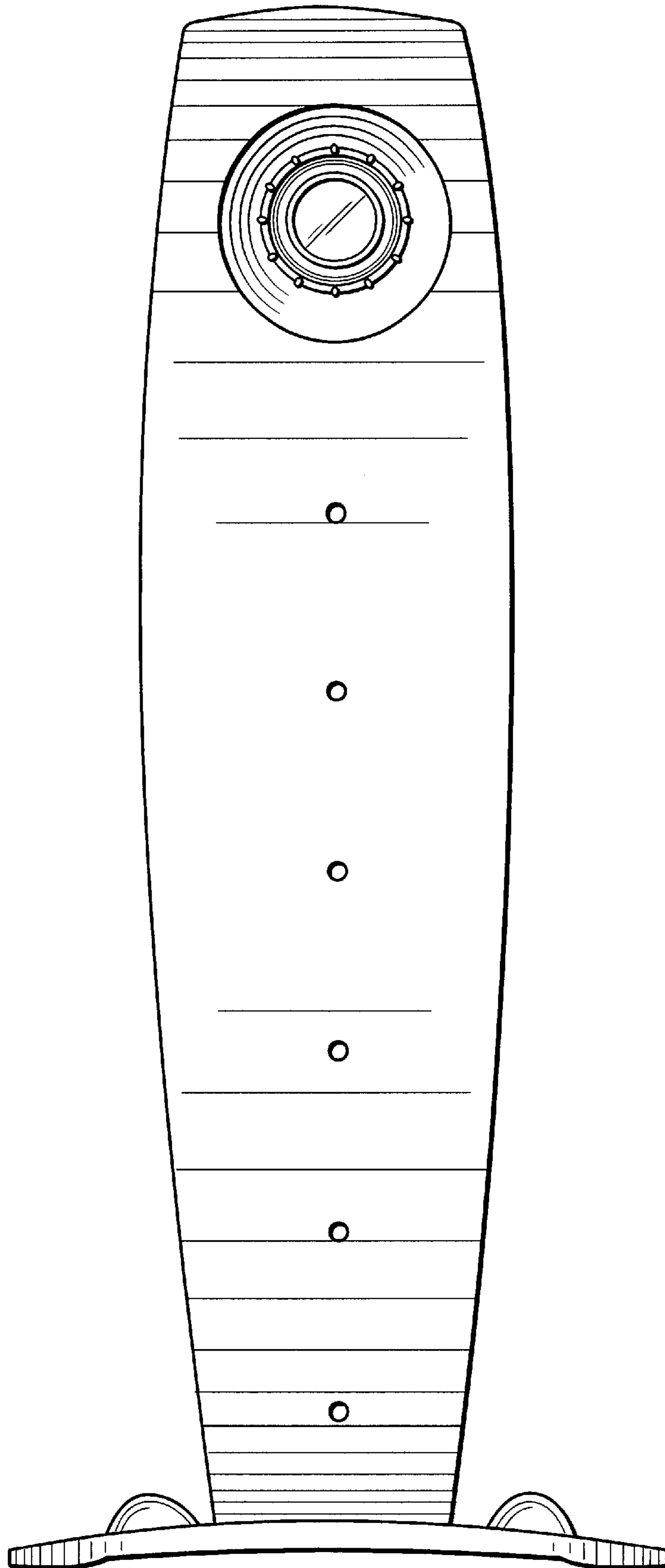


FIG. 1

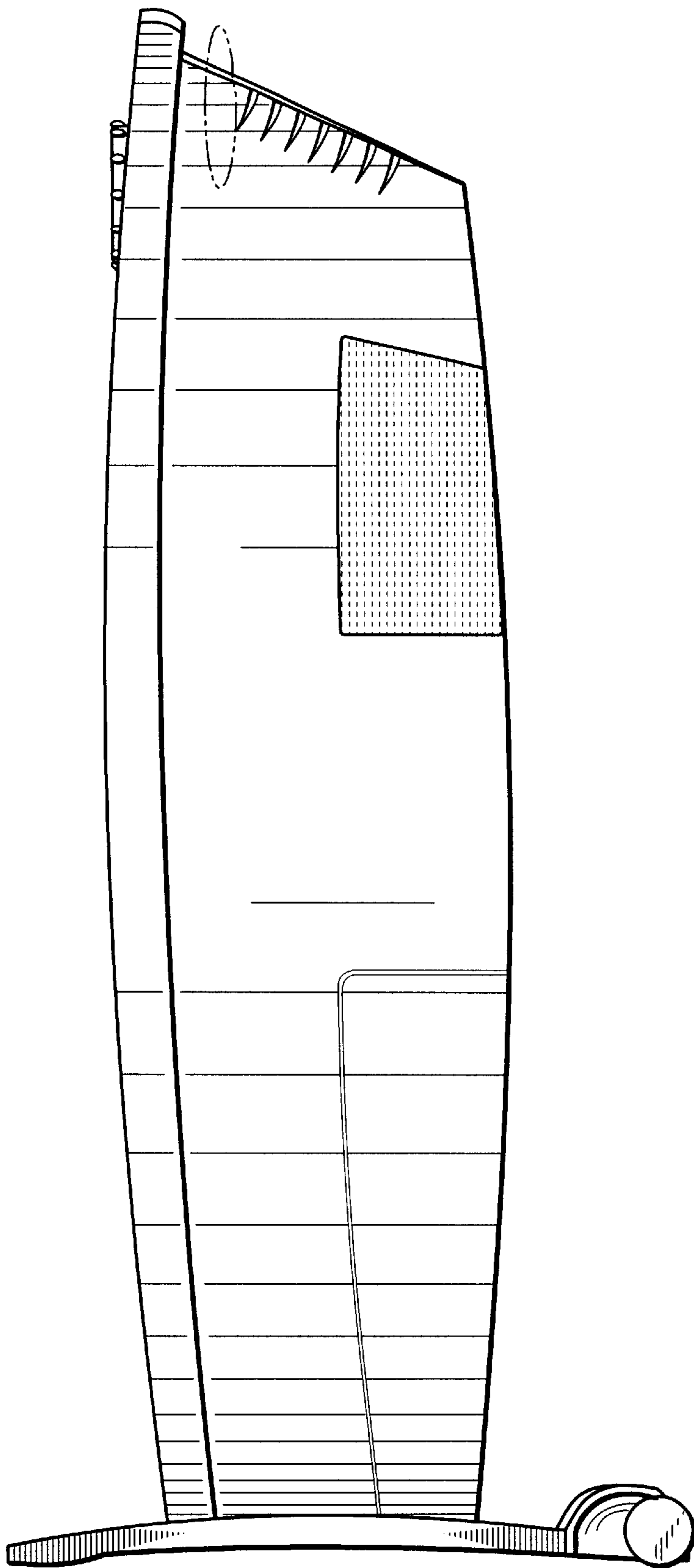


FIG. 2

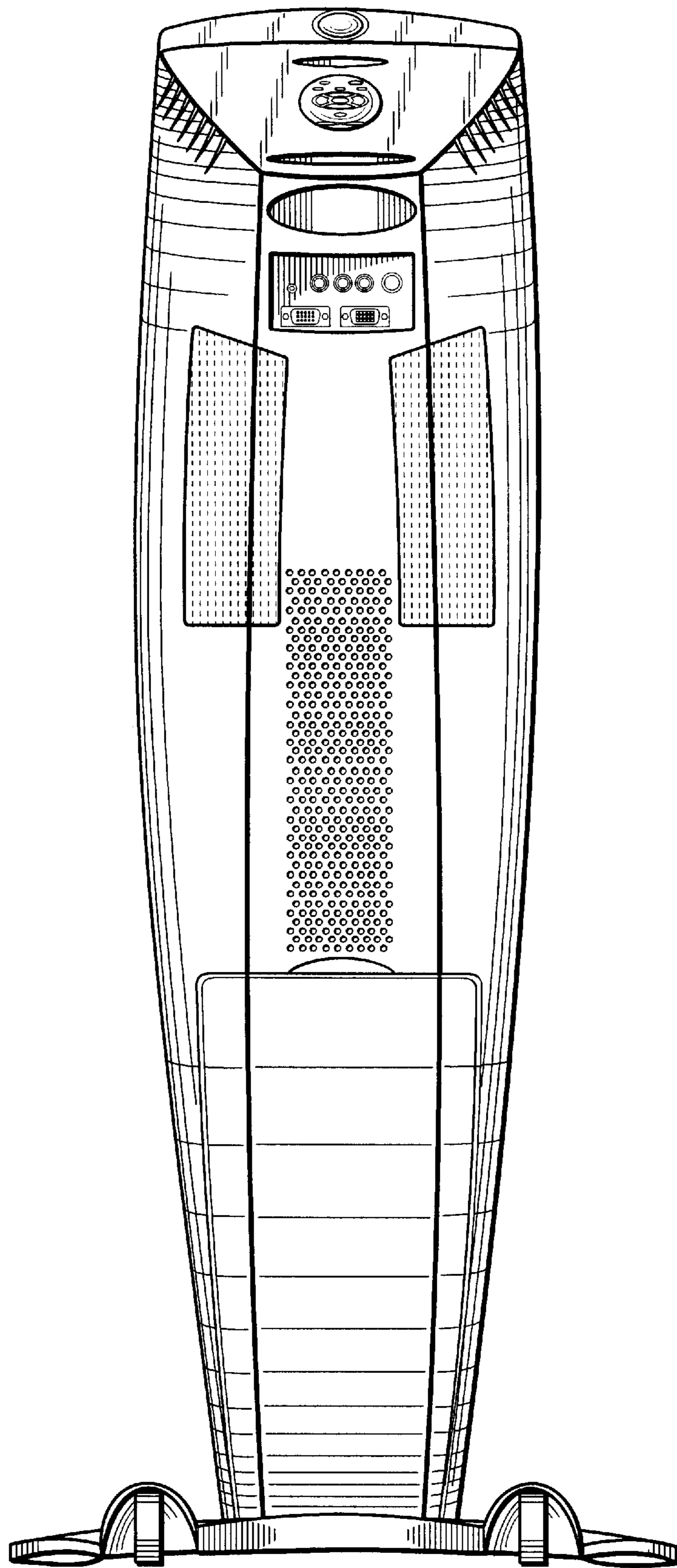


FIG. 3

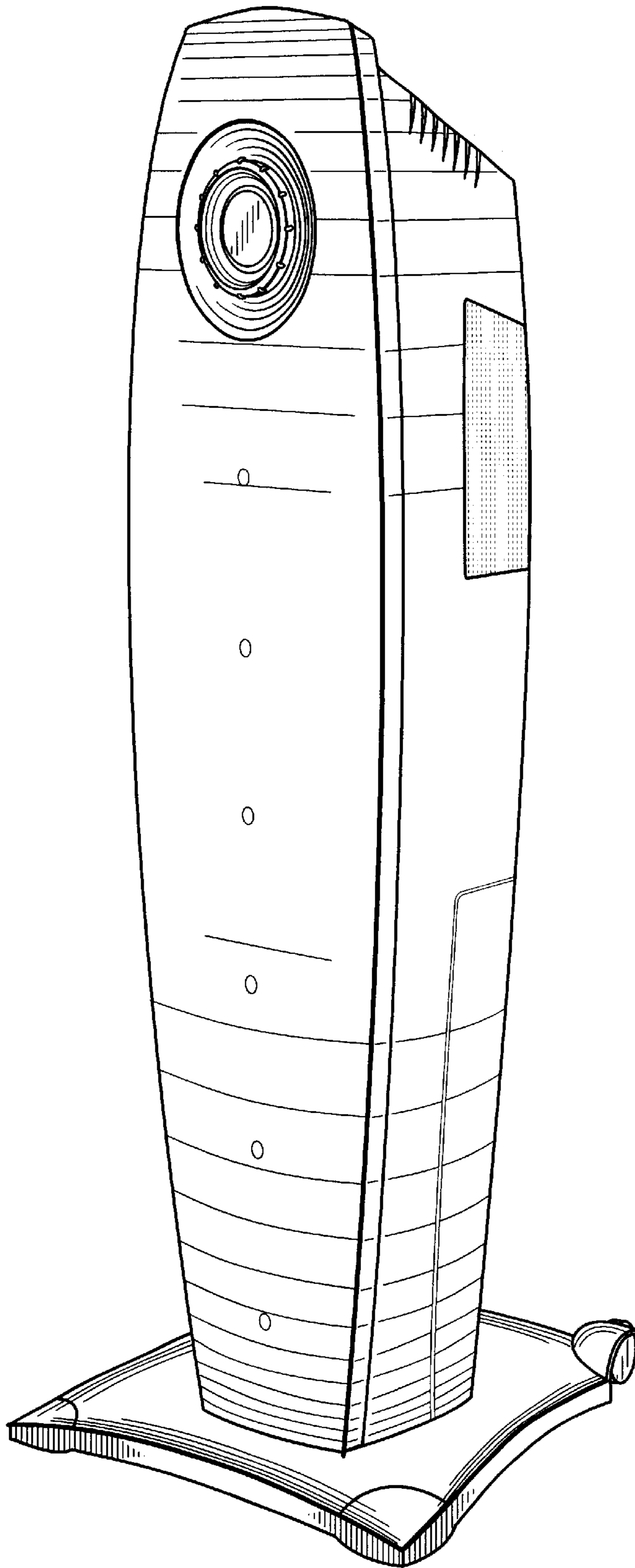


FIG. 4

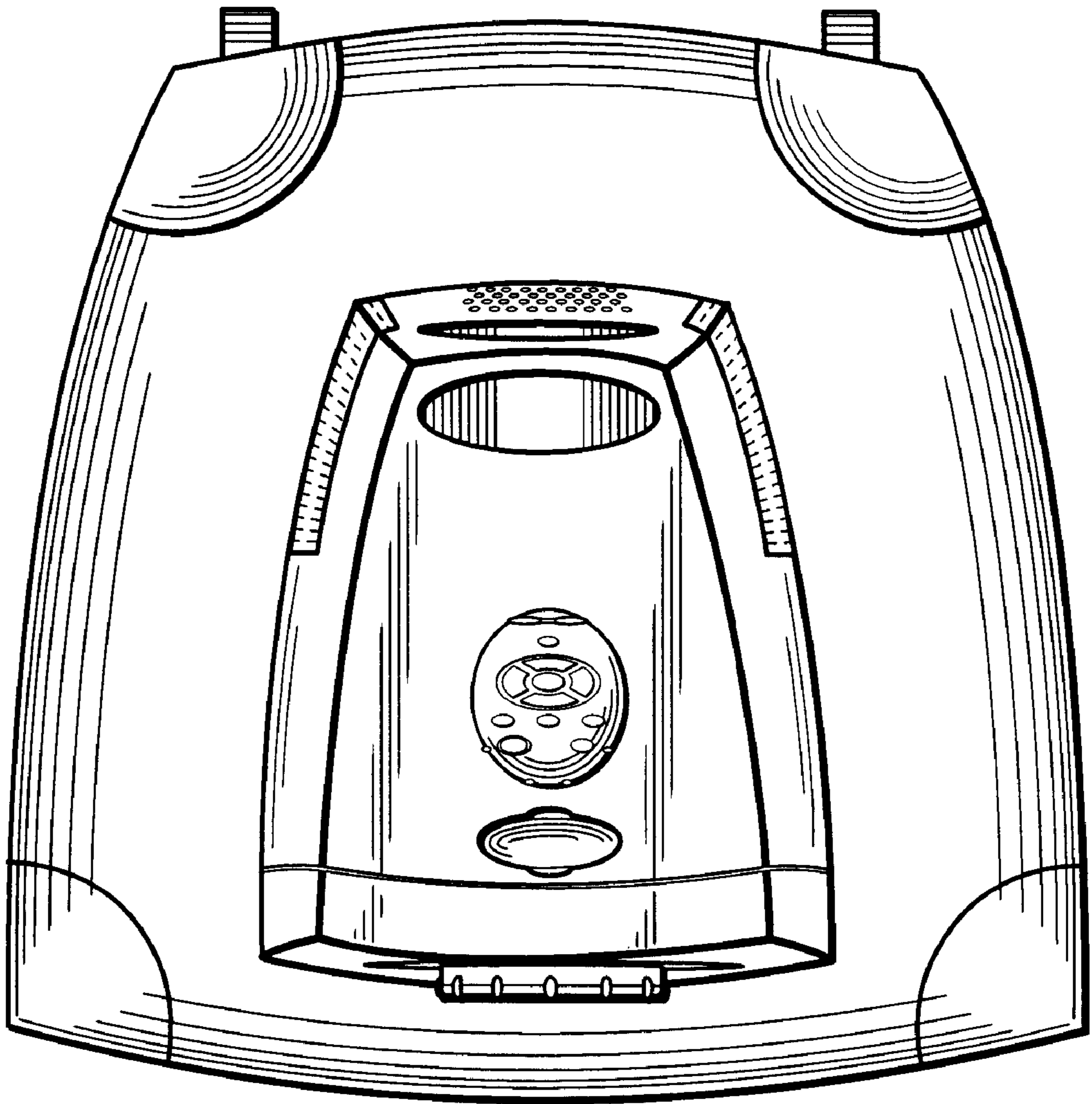


FIG. 5