



US00D449631B1

(12) **United States Design Patent**  
**Hayashi**

(10) **Patent No.:** **US D449,631 S**

(45) **Date of Patent:** **\*\* Oct. 23, 2001**

(54) **35MM CAMERA**

(75) **Inventor:** **Tatsuyuki Hayashi, Tokyo (JP)**

(73) **Assignee:** **Asahi Kogaku Kogyo Kabushiki Kaisha, Tokyo (JP)**

(\*\*) **Term:** **14 Years**

(21) **Appl. No.:** **29/138,369**

(22) **Filed:** **Mar. 13, 2001**

(30) **Foreign Application Priority Data**

Sep. 13, 2000 (JP) ..... 12-025659

(51) **LOC (7) Cl.** ..... **16-01**

(52) **U.S. Cl.** ..... **D16/209; D16/218**

(58) **Field of Search** ..... **D16/200-205, D16/208, 209, 217-219; 396/535-541**

(56) **References Cited**

**U.S. PATENT DOCUMENTS**

D. 381,350 \* 7/1997 Hamamura ..... D16/209

D. 412,004 \* 7/1999 Hamamura ..... D16/209

D. 412,517 \* 8/1999 Hayamizu ..... D16/209

D. 415,508 \* 10/1999 Shinano ..... D16/202

D. 438,230 \* 2/2001 Hamamura ..... D16/219

\* cited by examiner

*Primary Examiner*—Adir Aronovich

(74) *Attorney, Agent, or Firm*—Sughrue, Mion, Zinn, Macpeak & Seas, PLLC

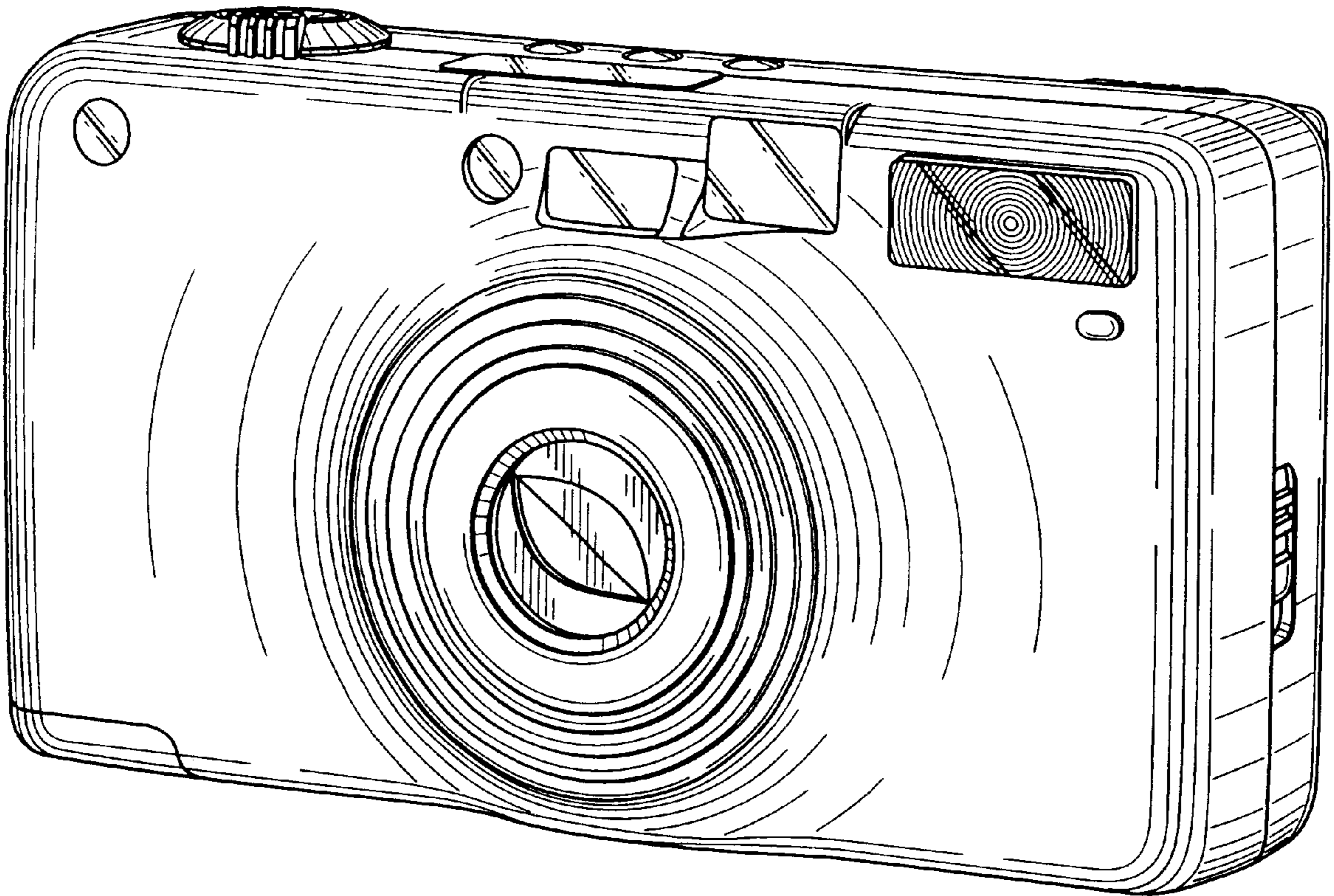
(57) **CLAIM**

The ornamental design for a 35mm camera, as shown and described.

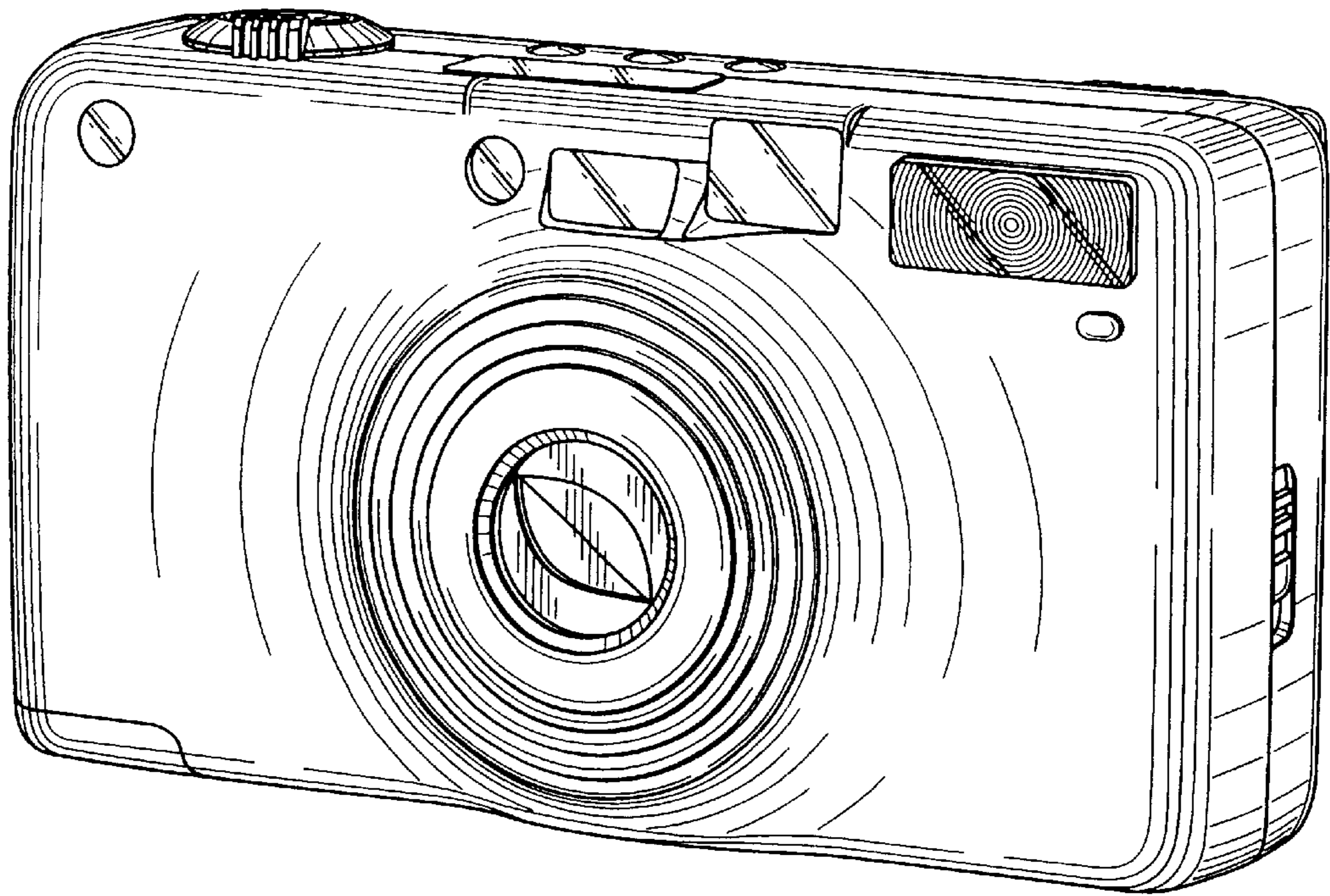
**DESCRIPTION**

FIG. 1 is a perspective view of the top, front and right side of a 35mm camera showing my new design; FIG. 2 is a front elevational view thereof; FIG. 3 is a top plan view thereof; FIG. 4 is a left side elevational view thereof; FIG. 5 is a right side elevational view thereof; FIG. 6 is a rear elevational view thereof; FIG. 7 is a bottom plan view thereof; and, FIG. 8 is a view similar to FIG. 1 with the lens extended.

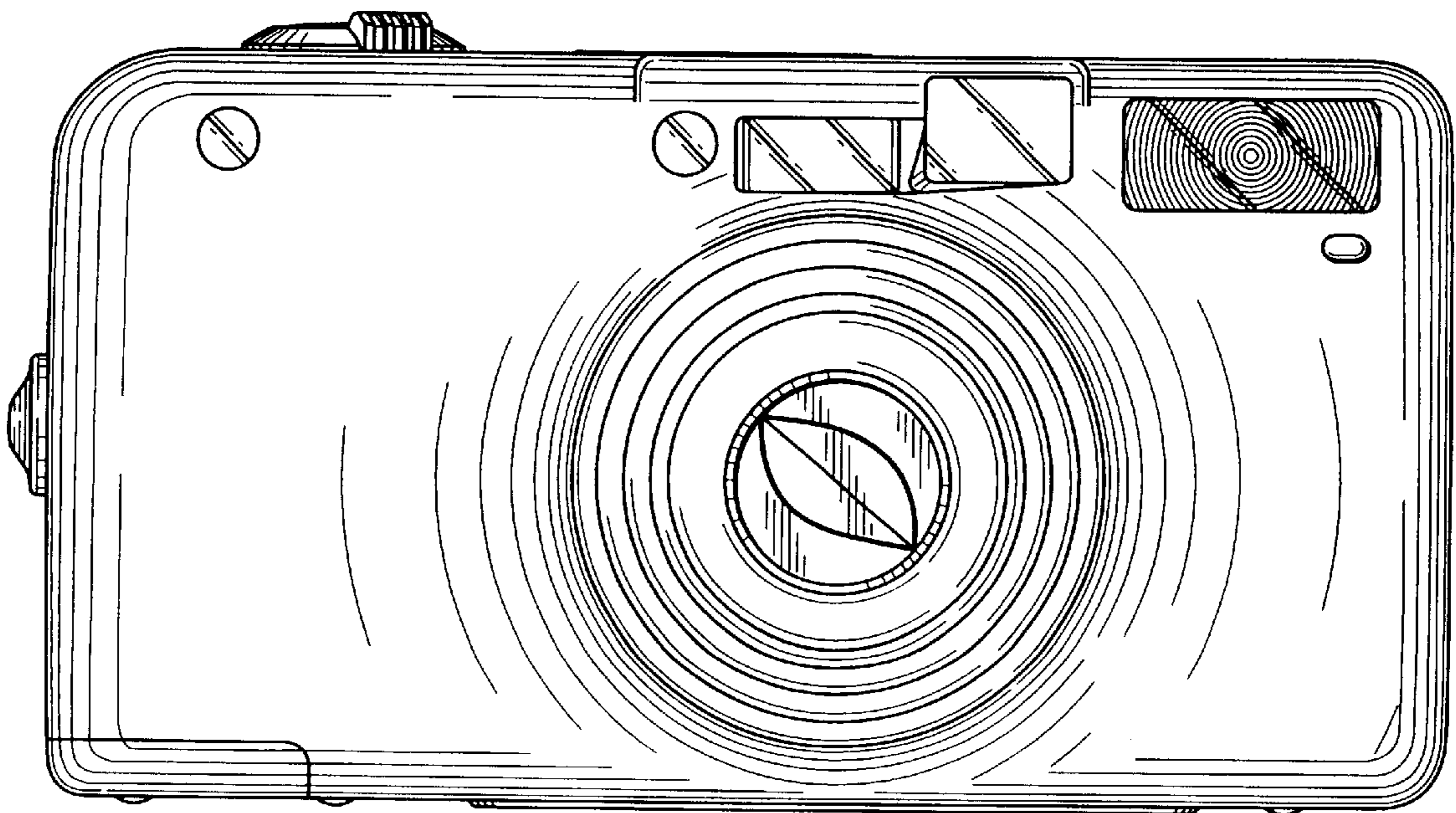
**1 Claim, 4 Drawing Sheets**



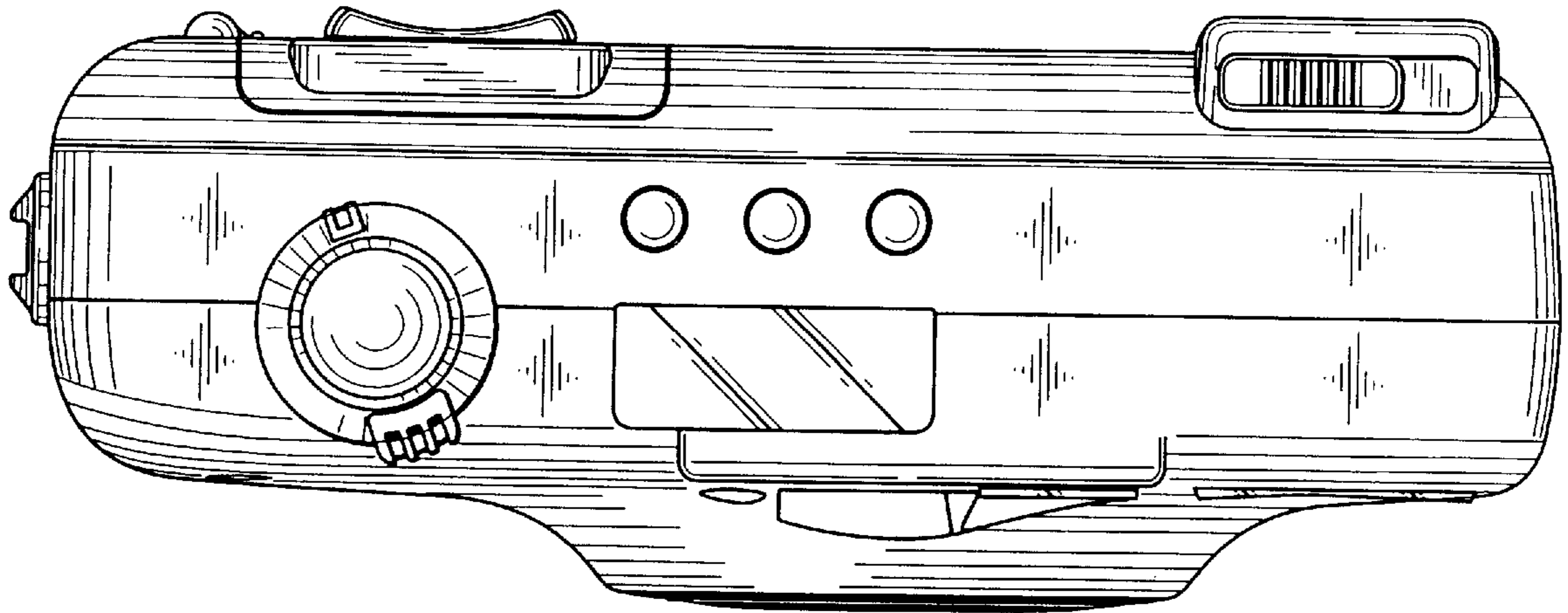
*FIG. 1*



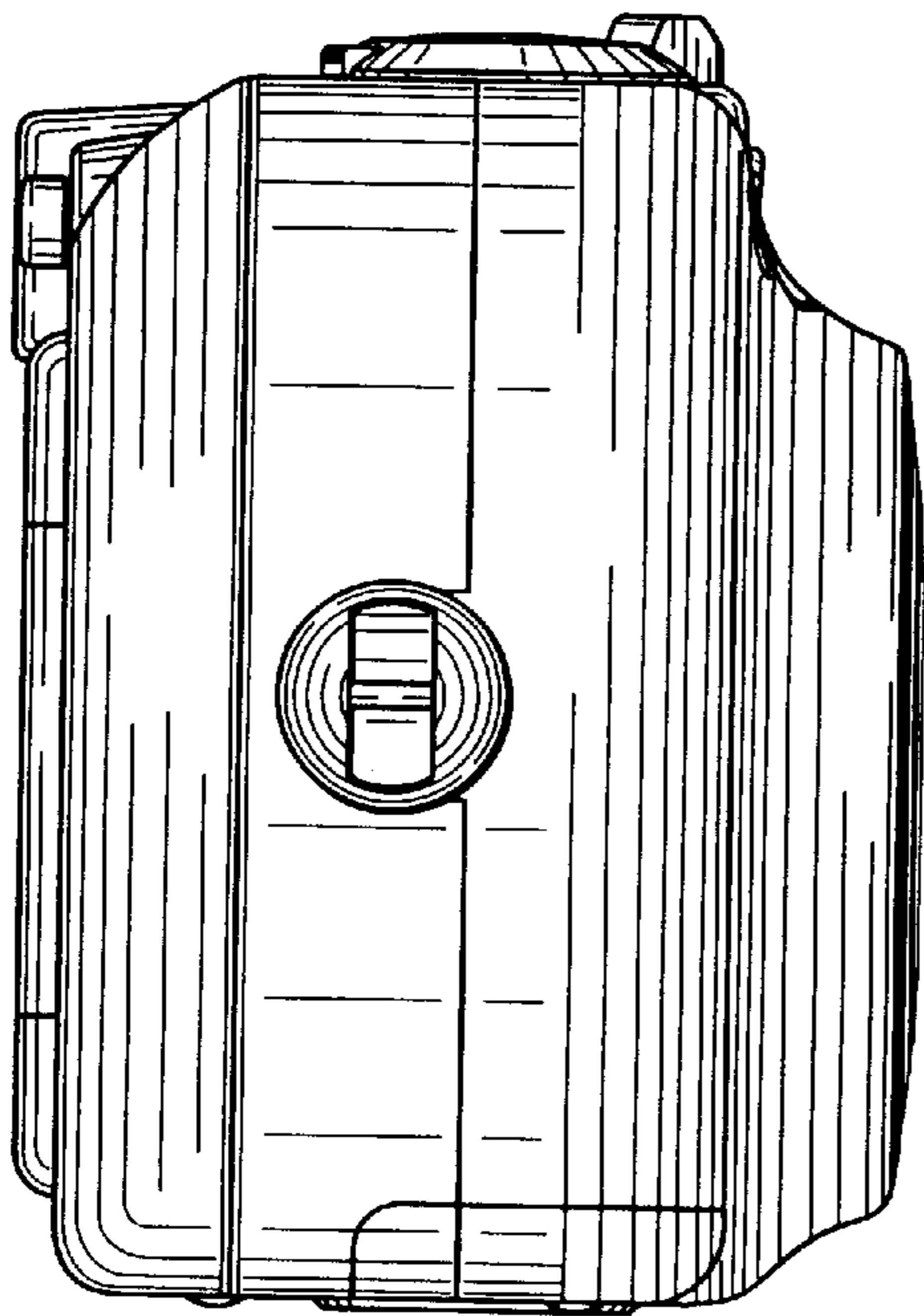
*FIG. 2*



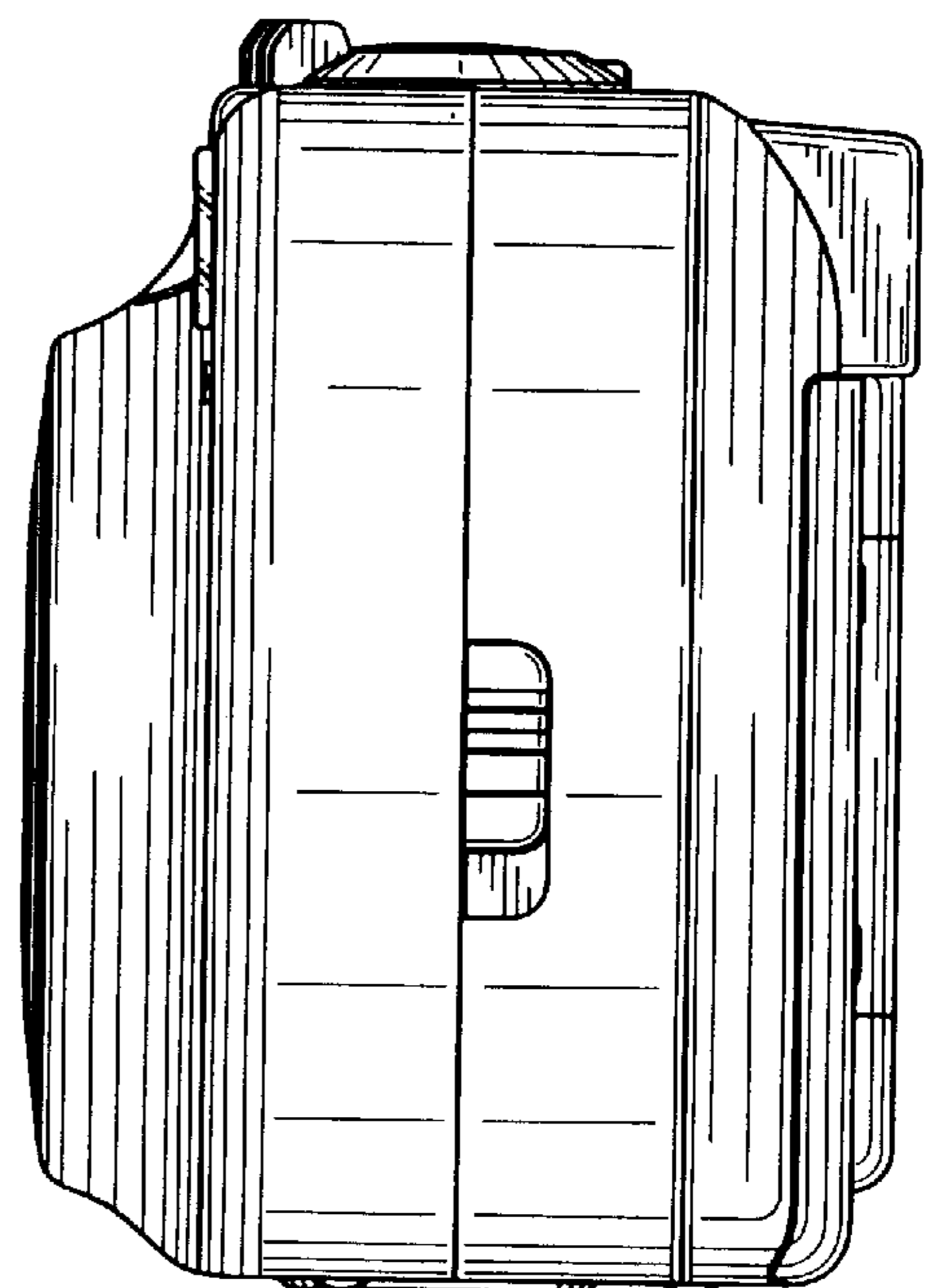
*FIG. 3*



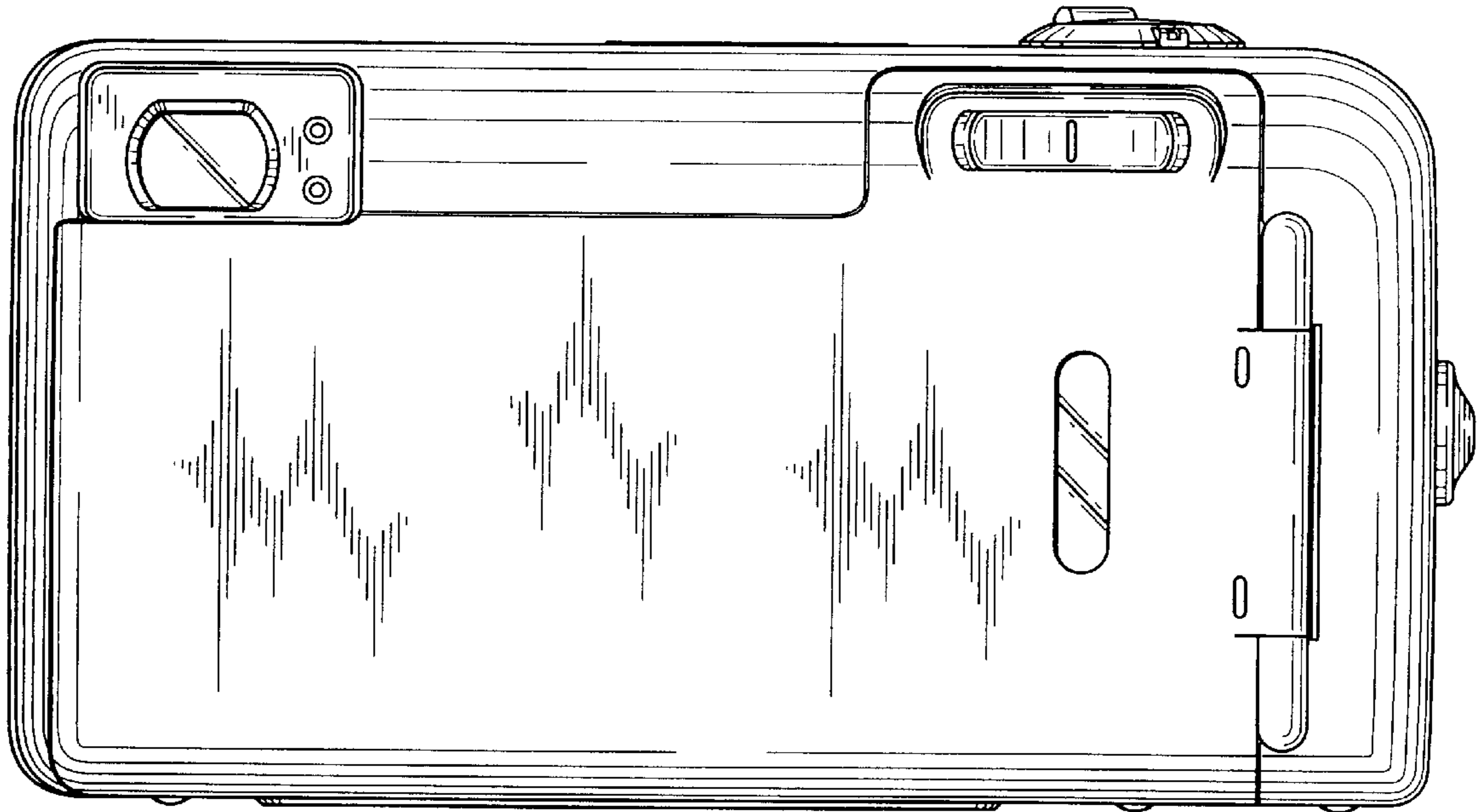
*FIG. 4*



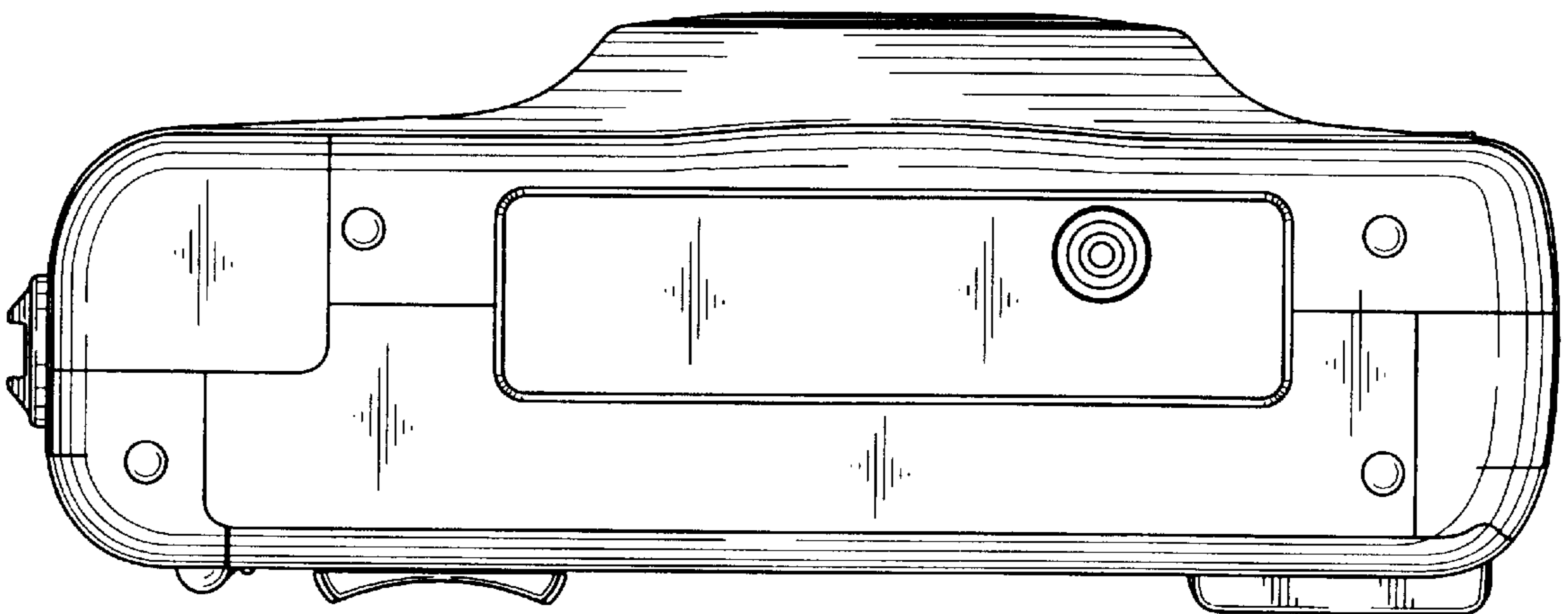
*FIG. 5*



*FIG. 6*



*FIG. 7*



*FIG. 8*

