



US00D449630B1

(12) **United States Design Patent**  
**Rak et al.**

(10) **Patent No.:** **US D449,630 S**

(45) **Date of Patent:** **\*\* Oct. 23, 2001**

(54) **ENCLOSURE FOR A DOME MONITOR CAMERA**

D. 426,250 \* 6/2000 Lefkowitz ..... D16/203  
5,689,304 \* 11/1997 Jones et al. .... 348/373

(75) Inventors: **Roman P. Rak**, Delta; **Sudeep Mohan**, Vancouver; **Dennis K. Ho**, Coquitlam, all of (CA)

\* cited by examiner

*Primary Examiner*—Adir Aronovich

(74) *Attorney, Agent, or Firm*—Hall, Priddy, Myers & Vande Sande

(73) Assignee: **Silent Witness Enterprises Ltd.**, Surrey (CA)

(57) **CLAIM**

(\*\*) Term: **14 Years**

The ornamental design for an enclosure for a dome monitor camera, as shown and described.

(21) Appl. No.: **29/131,590**

**DESCRIPTION**

(22) Filed: **Oct. 24, 2000**

(30) **Foreign Application Priority Data**

Sep. 5, 2000 (CA) ..... 2000-2376

(51) **LOC (7) Cl.** ..... **16-01**

(52) **U.S. Cl.** ..... **D16/203; D10/106**

(58) **Field of Search** ..... D16/200–205,  
D16/208, 219; D10/104, 106; 348/143,  
373–376; 396/427, 535–541

FIG. 1 is a perspective view of an enclosure for a dome monitor camera showing the round conduit opening; FIG. 2 is a perspective view showing the top of the enclosure;

FIG. 3 is a perspective view showing the top and round conduit opening of the enclosure;

FIG. 4 is a front elevation view of the enclosure showing the round conduit opening;

FIG. 5 is a rear elevation view;

FIG. 6 is a left side elevation view showing the edge of the round conduit opening;

FIG. 7 is a top view showing the edge of the round conduit opening; and,

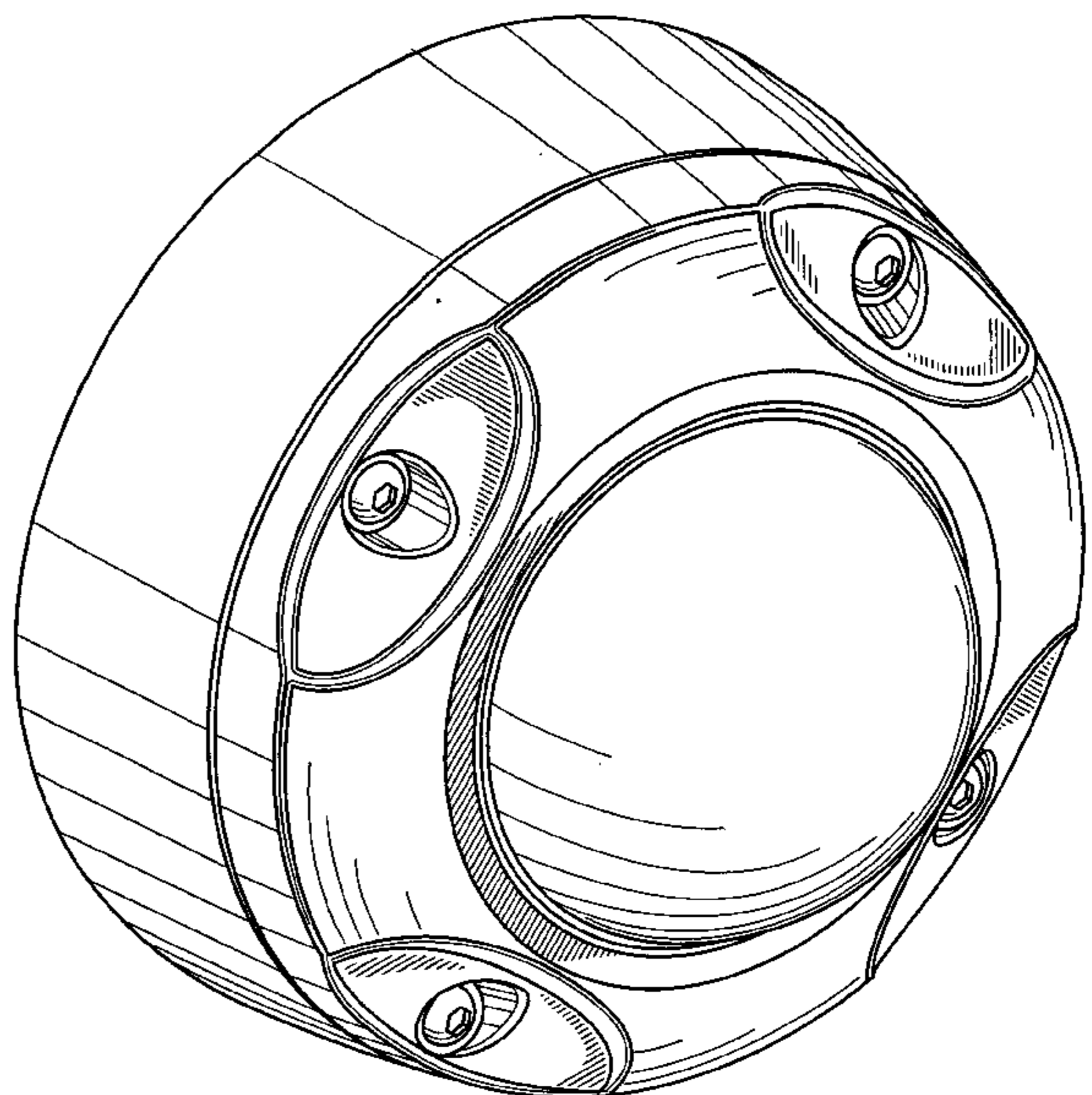
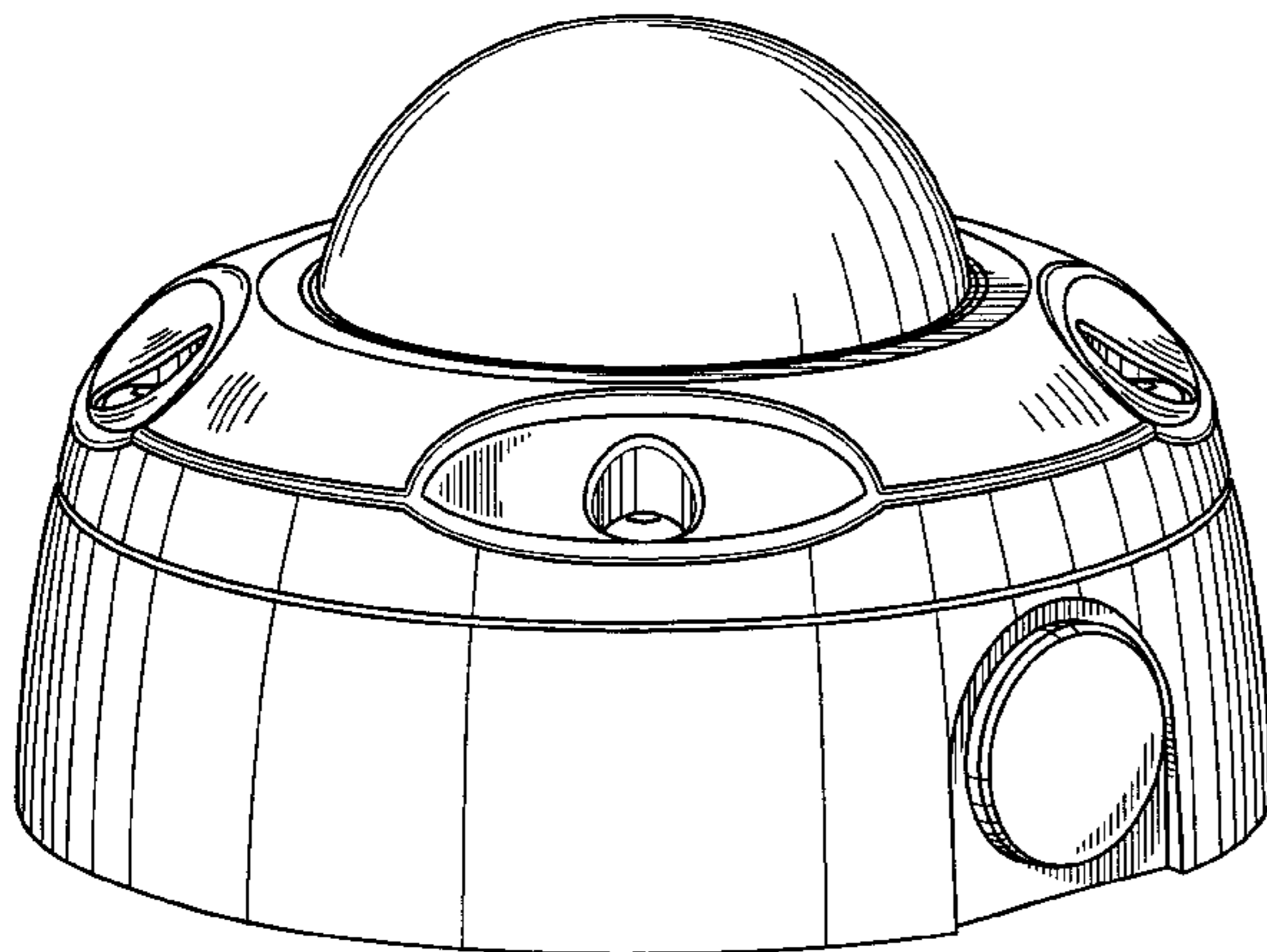
FIG. 8 is a bottom view showing the edge of the round conduit opening.

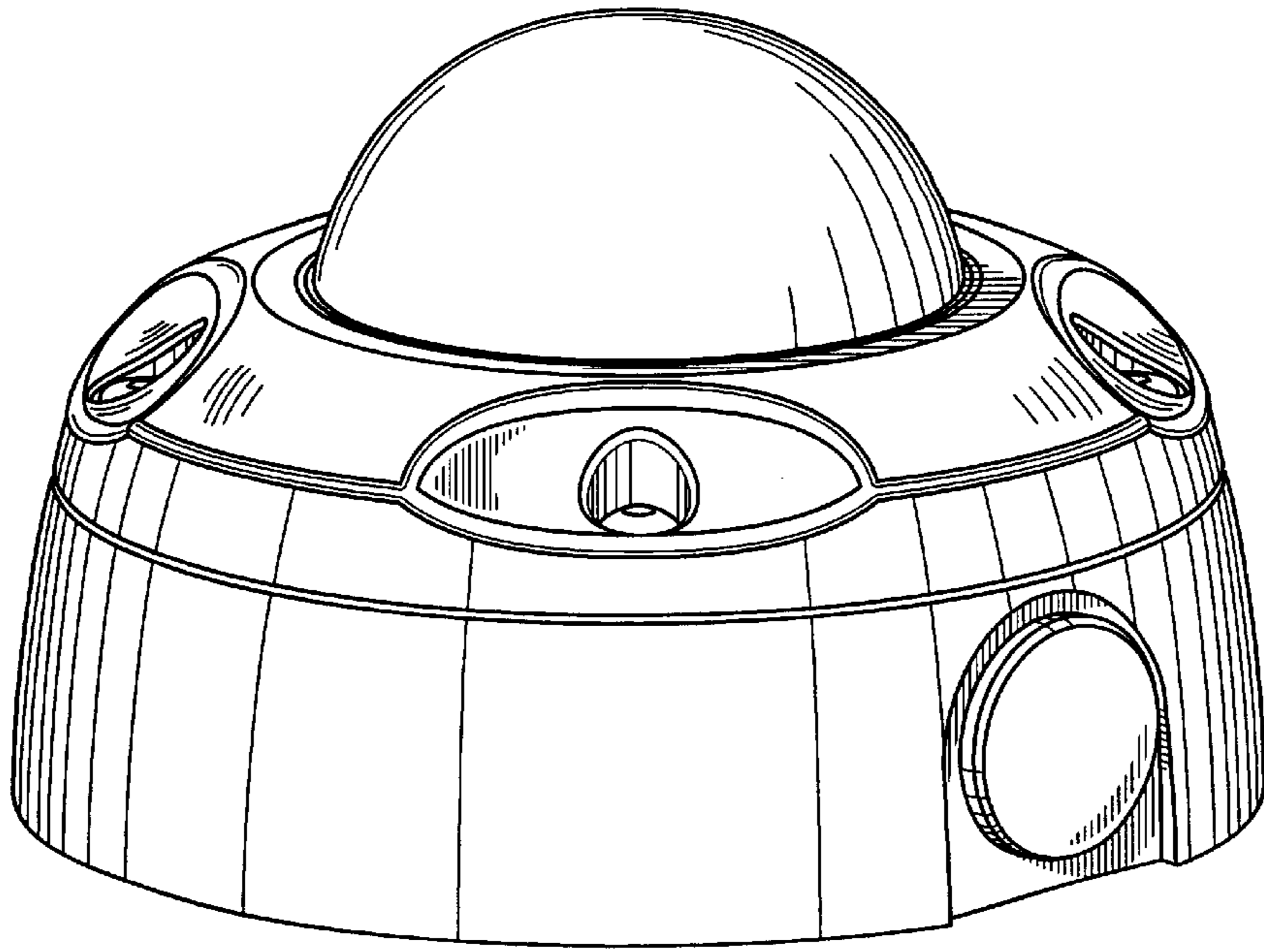
(56) **References Cited**

**U.S. PATENT DOCUMENTS**

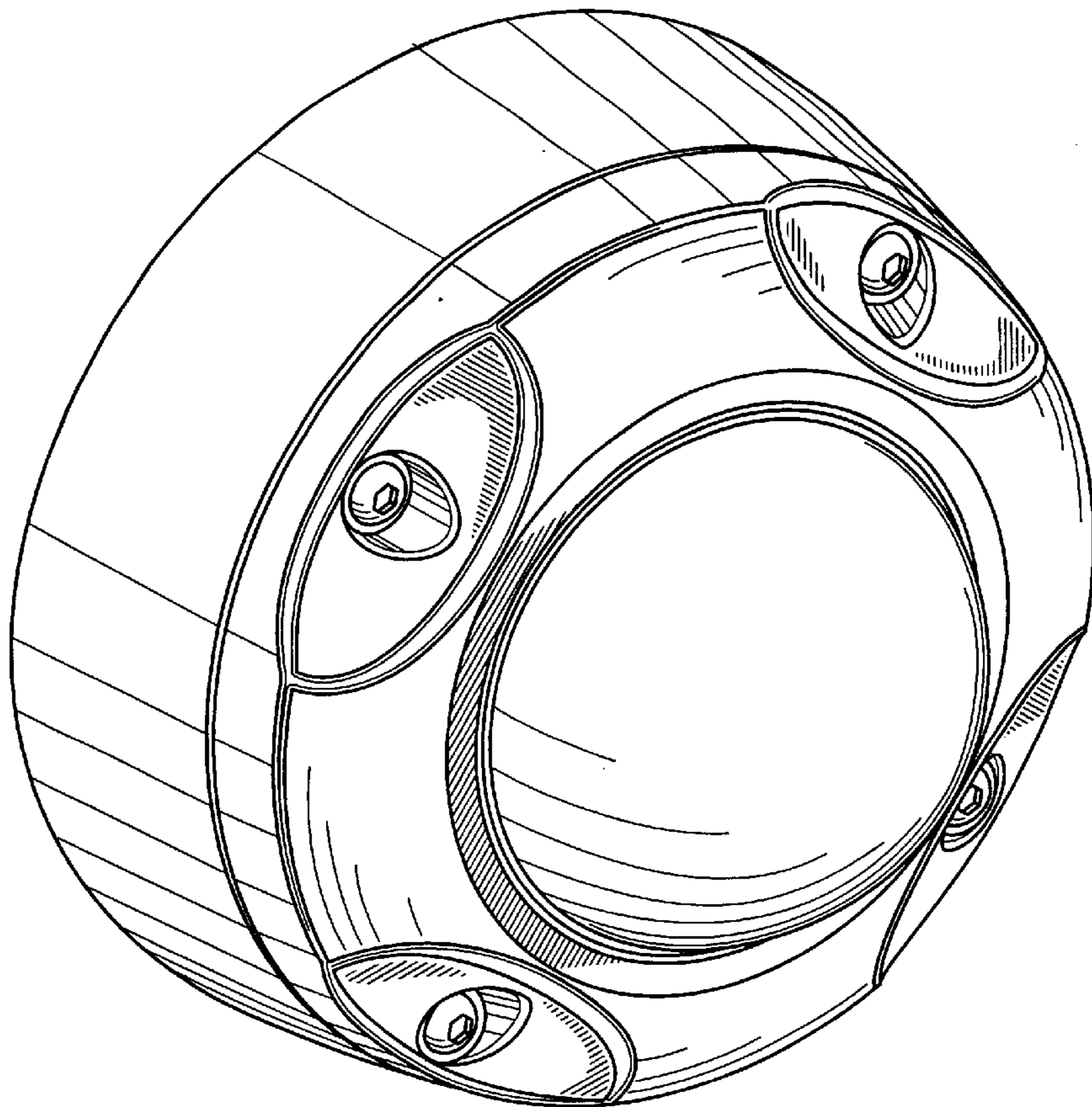
D. 275,294 \* 8/1984 Pagano ..... D16/203  
D. 412,924 \* 8/1999 Hiraguchi ..... D16/219  
D. 416,273 \* 11/1999 Yamakawa et al. .... D16/203  
D. 425,535 \* 5/2000 Mutoh et al. .... D16/203

**1 Claim, 4 Drawing Sheets**

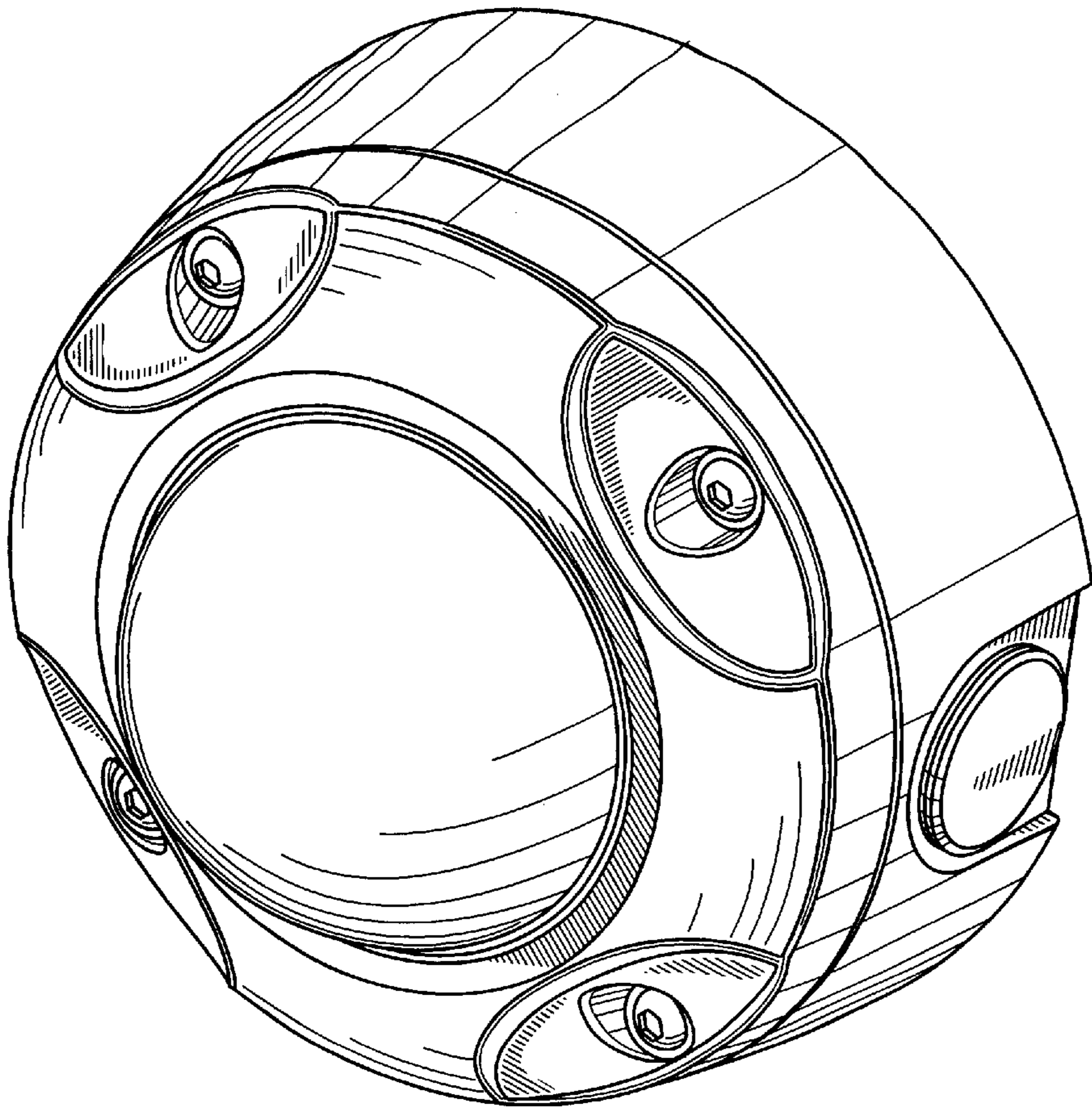




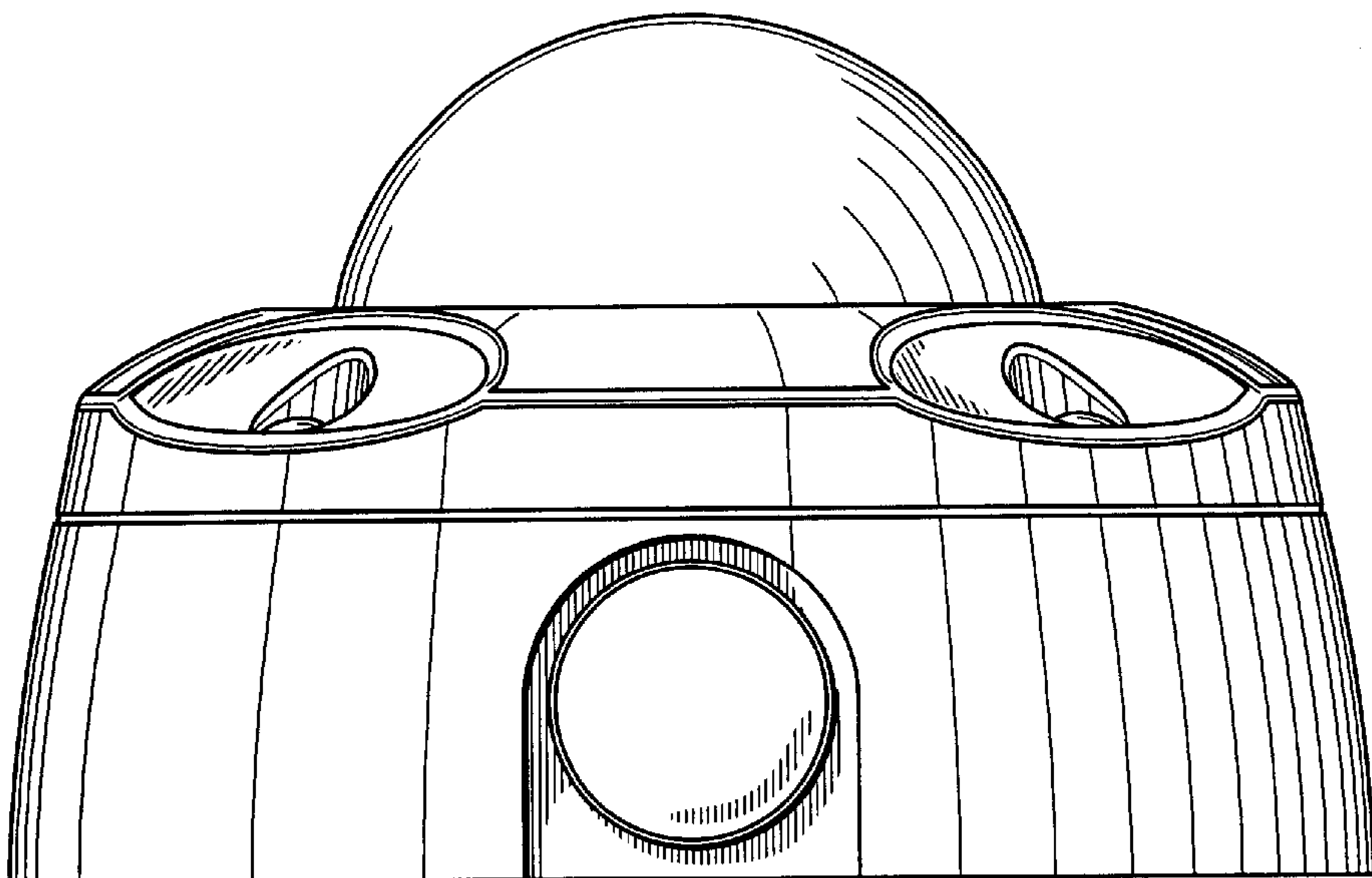
**FIG. 1**



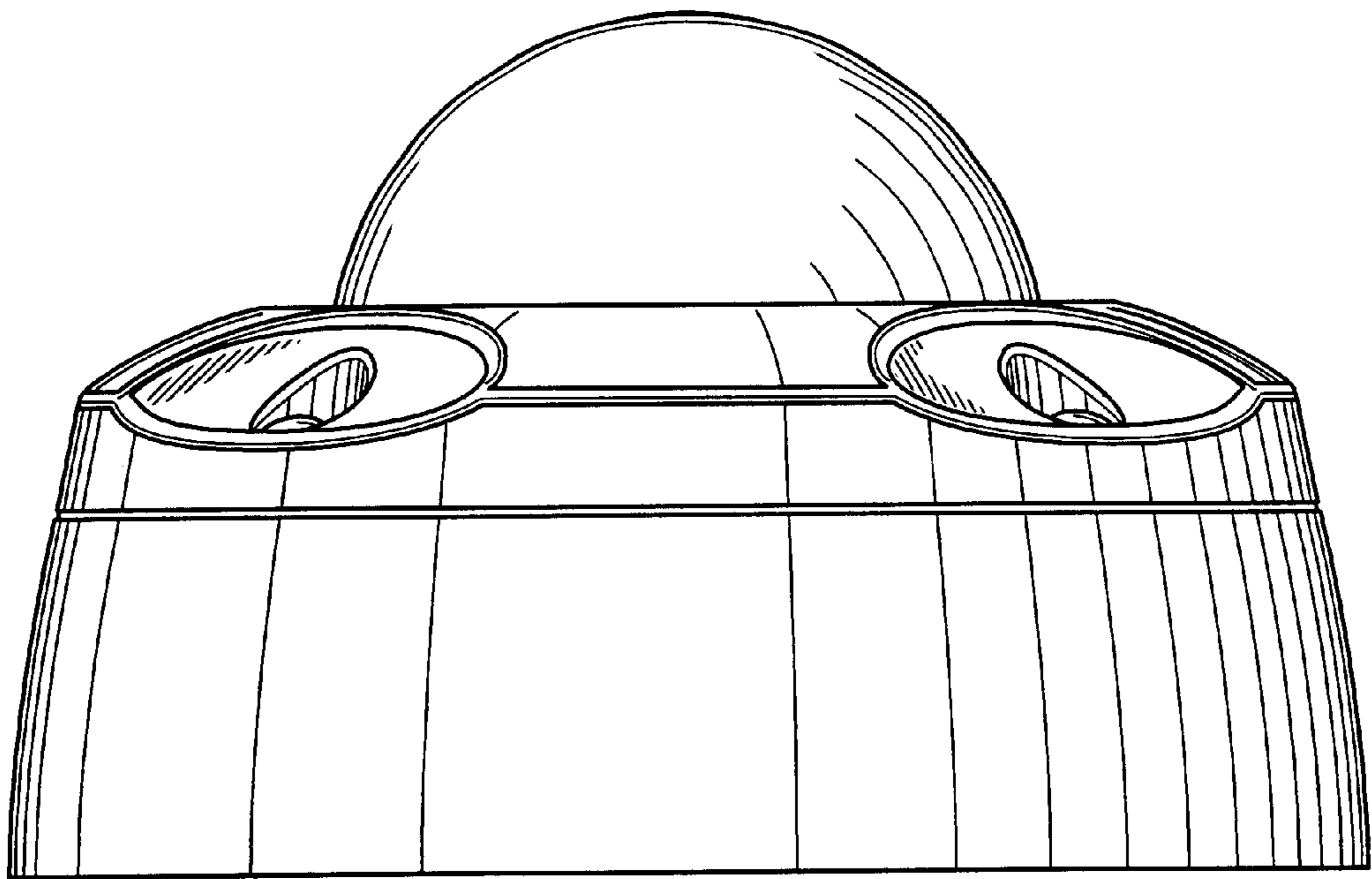
**FIG. 2**



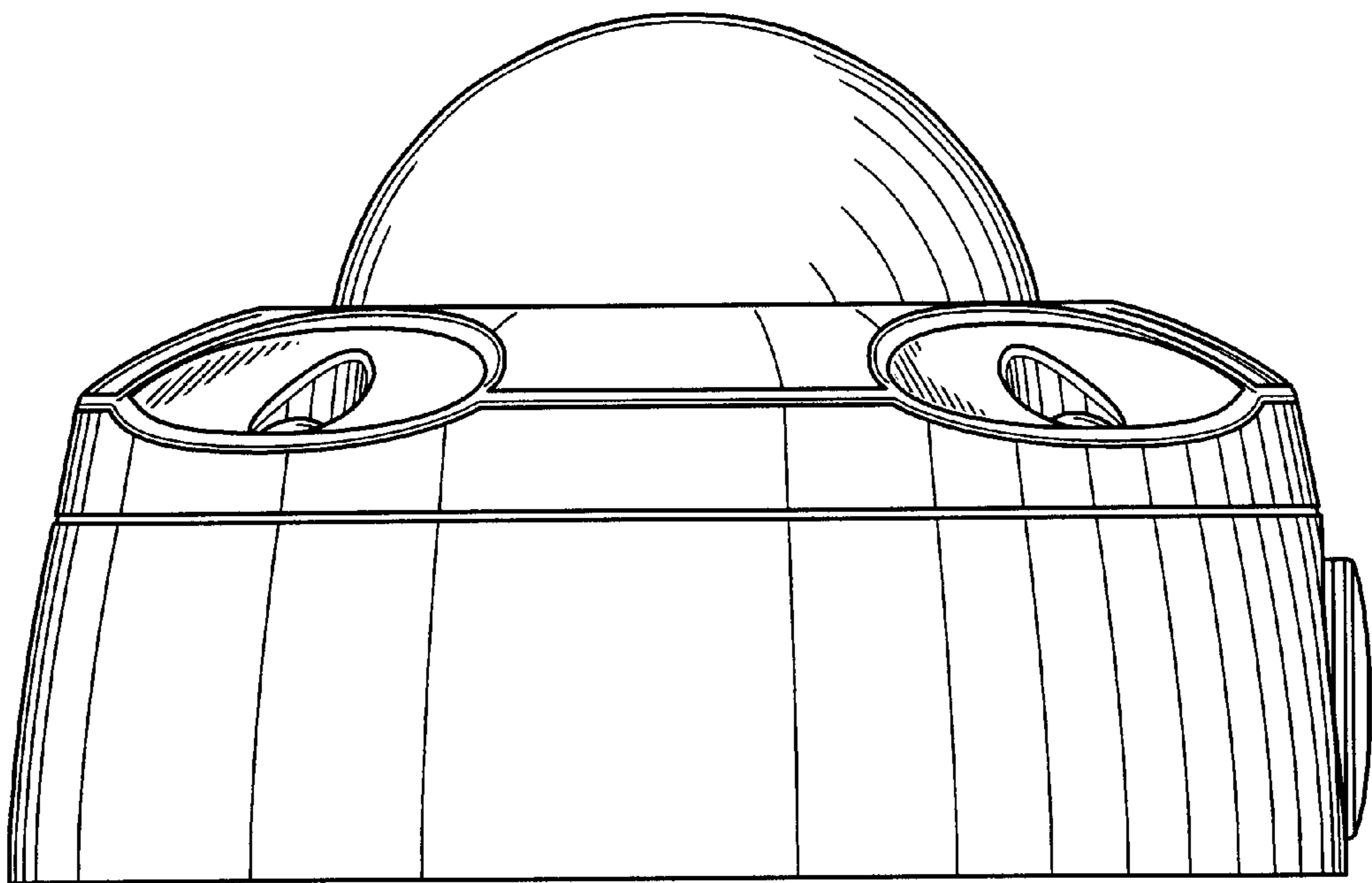
**FIG. 3**



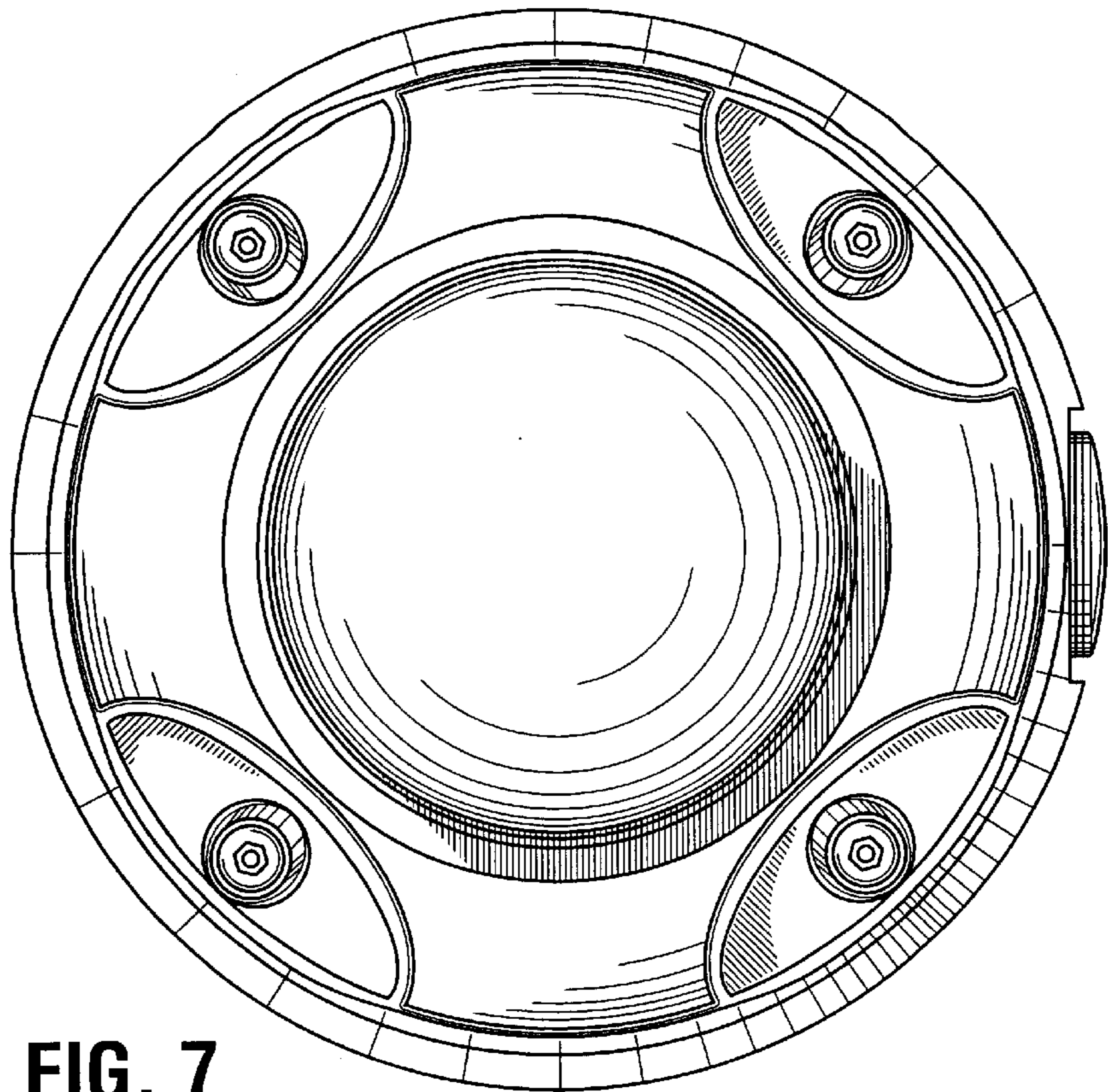
**FIG. 4**



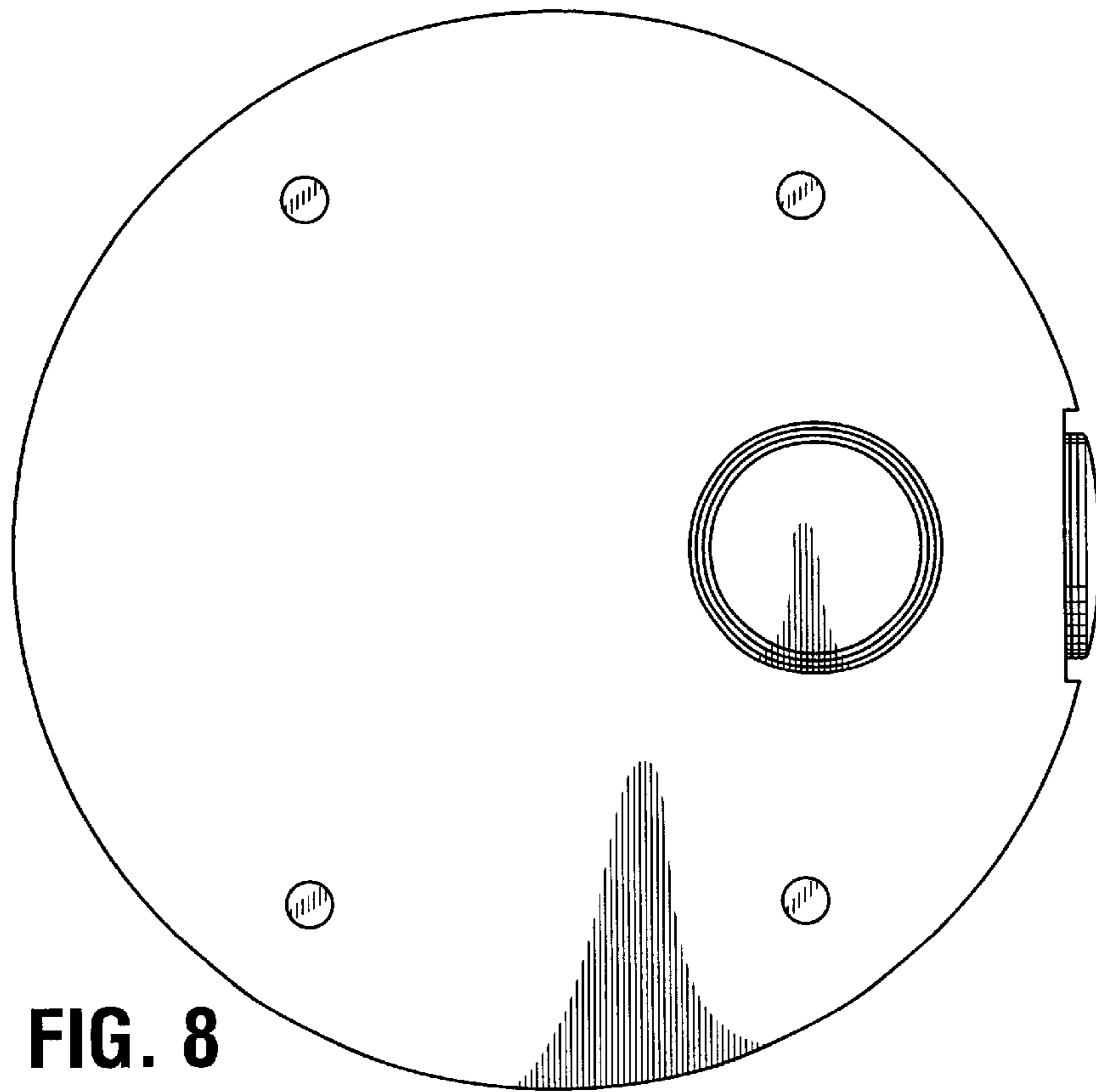
**FIG. 5**



**FIG. 6**



**FIG. 7**



**FIG. 8**