



US00D449629B1

(12) **United States Design Patent**  
**Ogura**

(10) **Patent No.:** **US D449,629 S**

(45) **Date of Patent:** **\*\* Oct. 23, 2001**

(54) **ELECTRONIC STILL CAMERA**

(75) Inventor: **Hajime Ogura**, Tokyo (JP)

(73) Assignee: **Sony Corporation**, Tokyo (JP)

(\*\*) Term: **14 Years**

(21) Appl. No.: **29/138,524**

(22) Filed: **Mar. 16, 2001**

(51) **LOC (7) Cl.** ..... **16-01**

(52) **U.S. Cl.** ..... **D16/202; D16/200**

(58) **Field of Search** ..... **D16/200-206,**  
**D16/208, 209, 217, 218; 348/373-376;**  
**358/906, 909.1; 396/535-541**

(56) **References Cited**

**U.S. PATENT DOCUMENTS**

D. 389,501	*	1/1998	Mascarenas, Sr. et al.	.....	D16/202
D. 422,291	*	4/2000	Senda	.....	D16/202
D. 431,827	*	10/2000	Yim	.....	D16/202
D. 439,262	*	3/2001	Yamamoto et al.	.....	D16/202
D. 440,587	*	4/2001	Morooka	.....	D16/202

5,825,408 \* 10/1998 Yuyama et al. .... 348/14

\* cited by examiner

*Primary Examiner*—Adir Aronovich

(74) *Attorney, Agent, or Firm*—Rader, Fishman & Grauer, PLLC

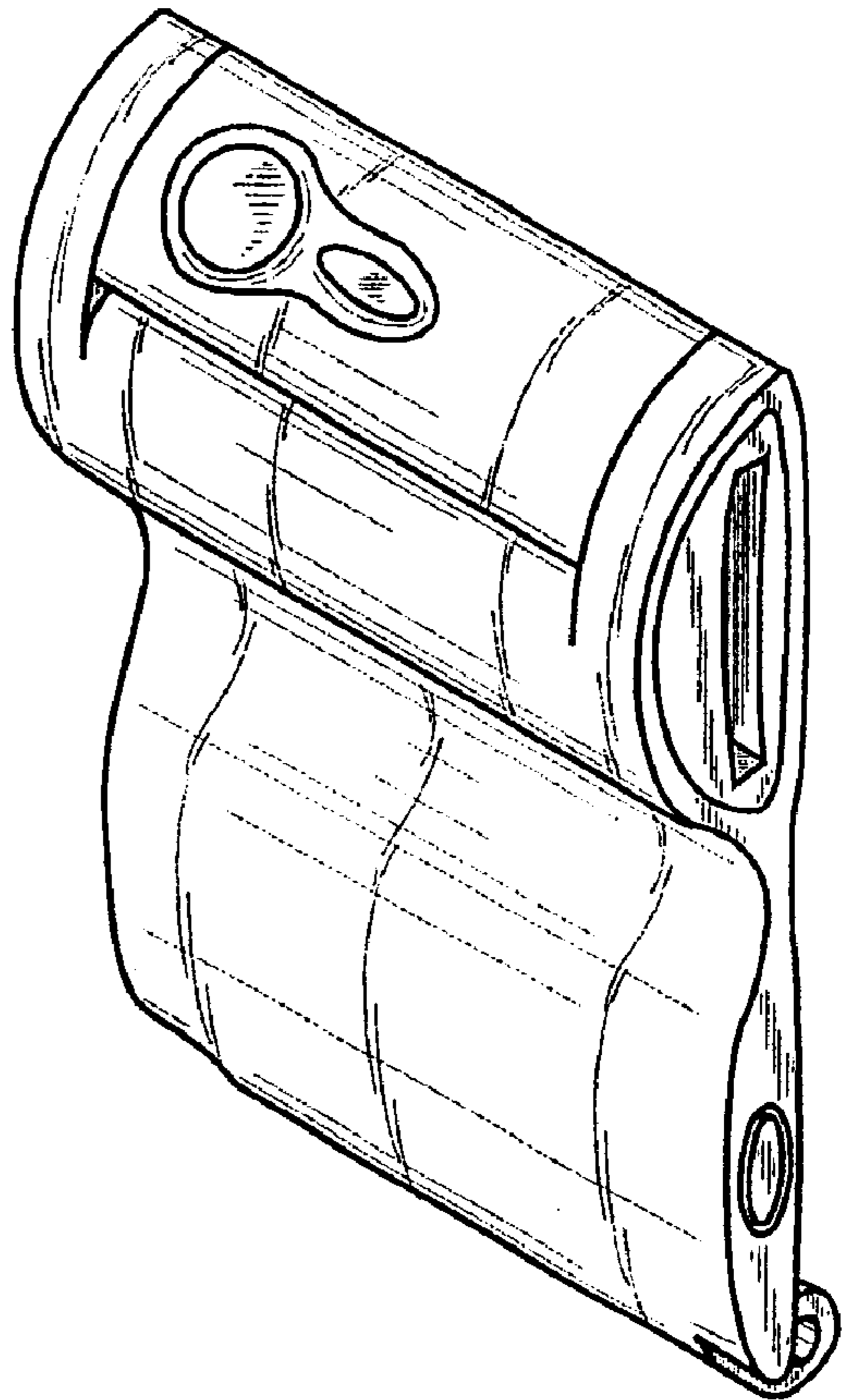
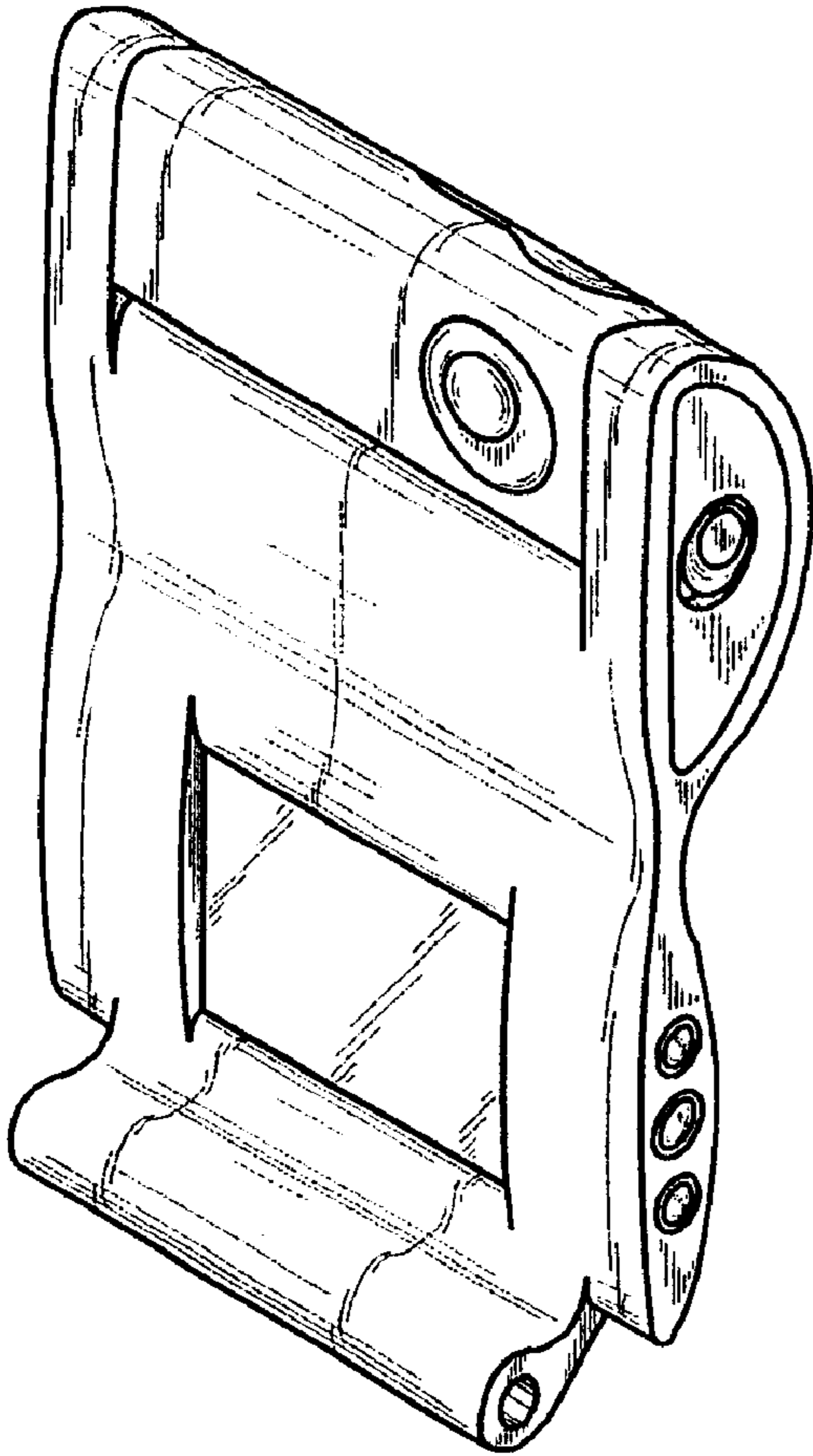
(57) **CLAIM**

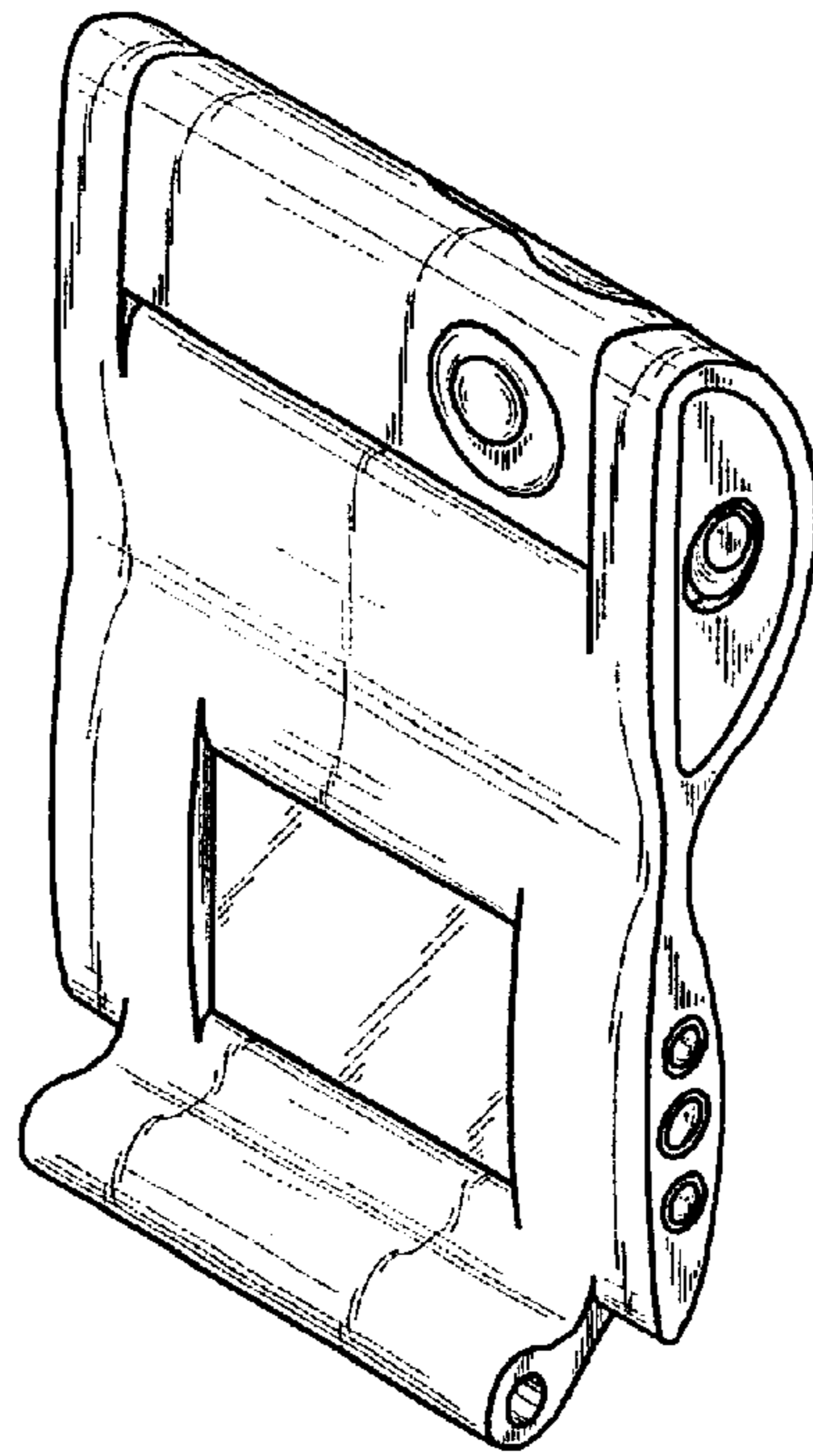
The ornamental design for an electronic still camera, as shown and described.

**DESCRIPTION**

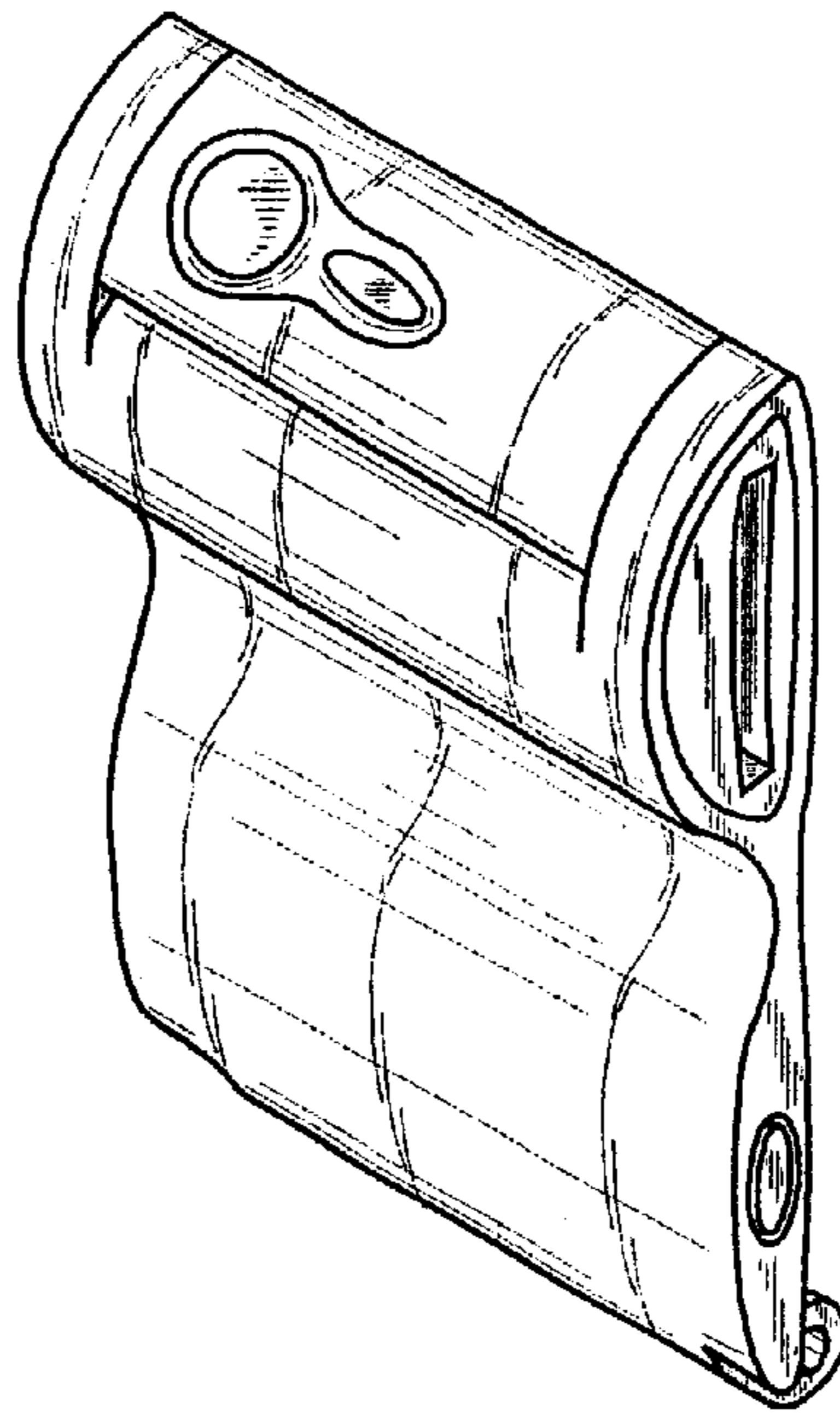
FIG. 1 is a front perspective view of an electronic still camera showing my new design;  
FIG. 2 is a rear perspective view thereof;  
FIG. 3 is a front elevational view thereof;  
FIG. 4 is a rear elevational view thereof;  
FIG. 5 is a left side elevational view thereof;  
FIG. 6 is a right side elevational view thereof;  
FIG. 7 is a top plan view thereof; and,  
FIG. 8 is a bottom plan view thereof.

**1 Claim, 4 Drawing Sheets**

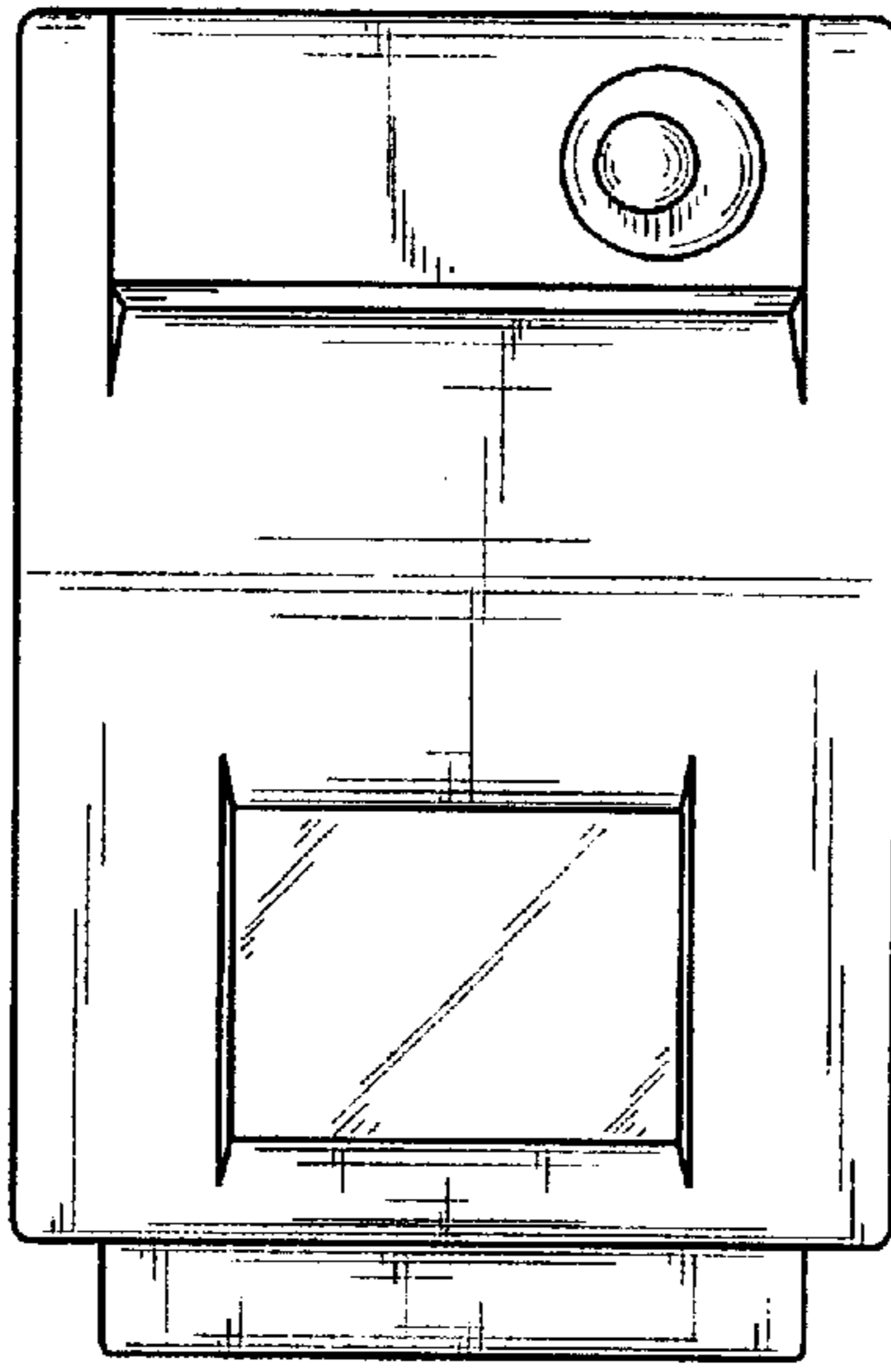




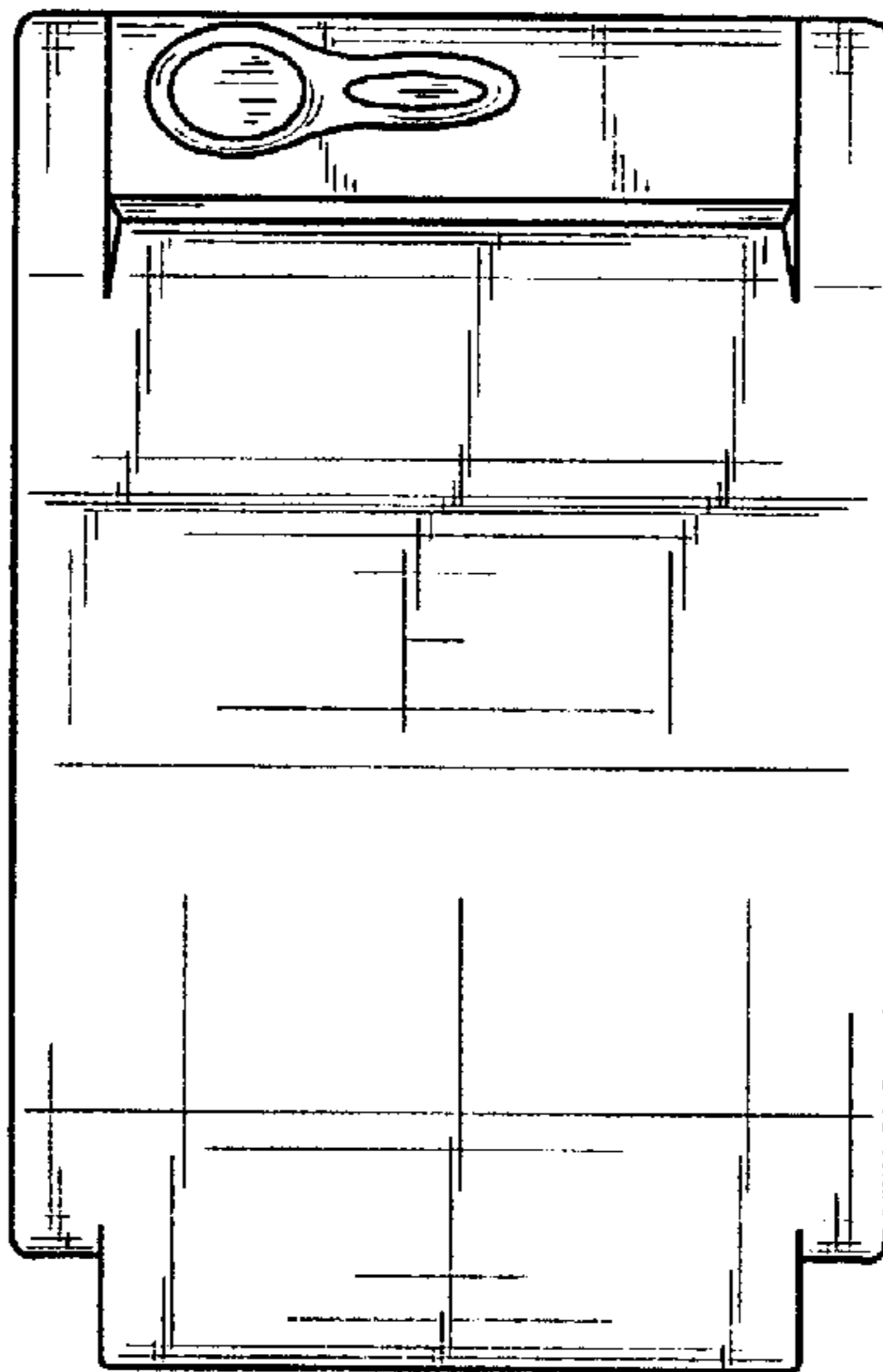
**Fig. 1**



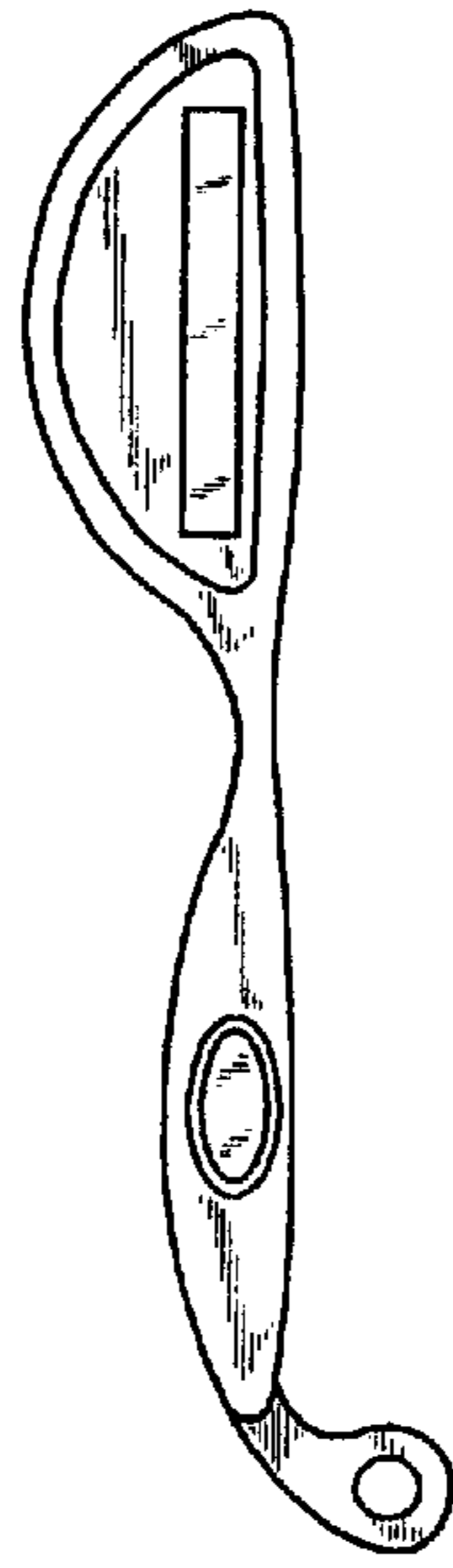
**Fig. 2**



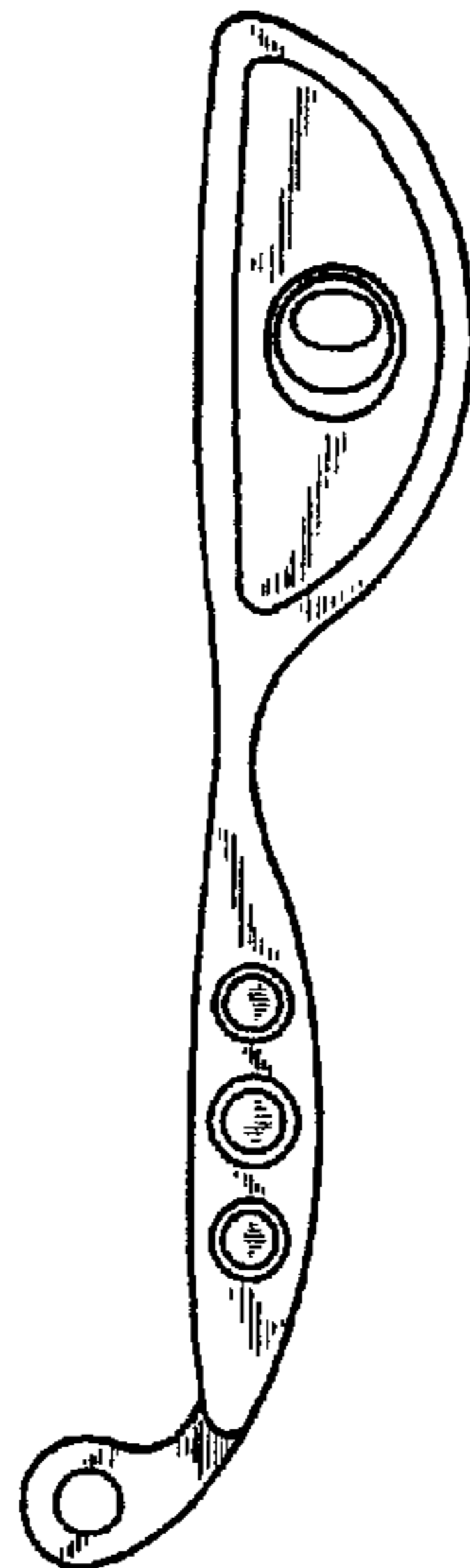
**Fig. 3**



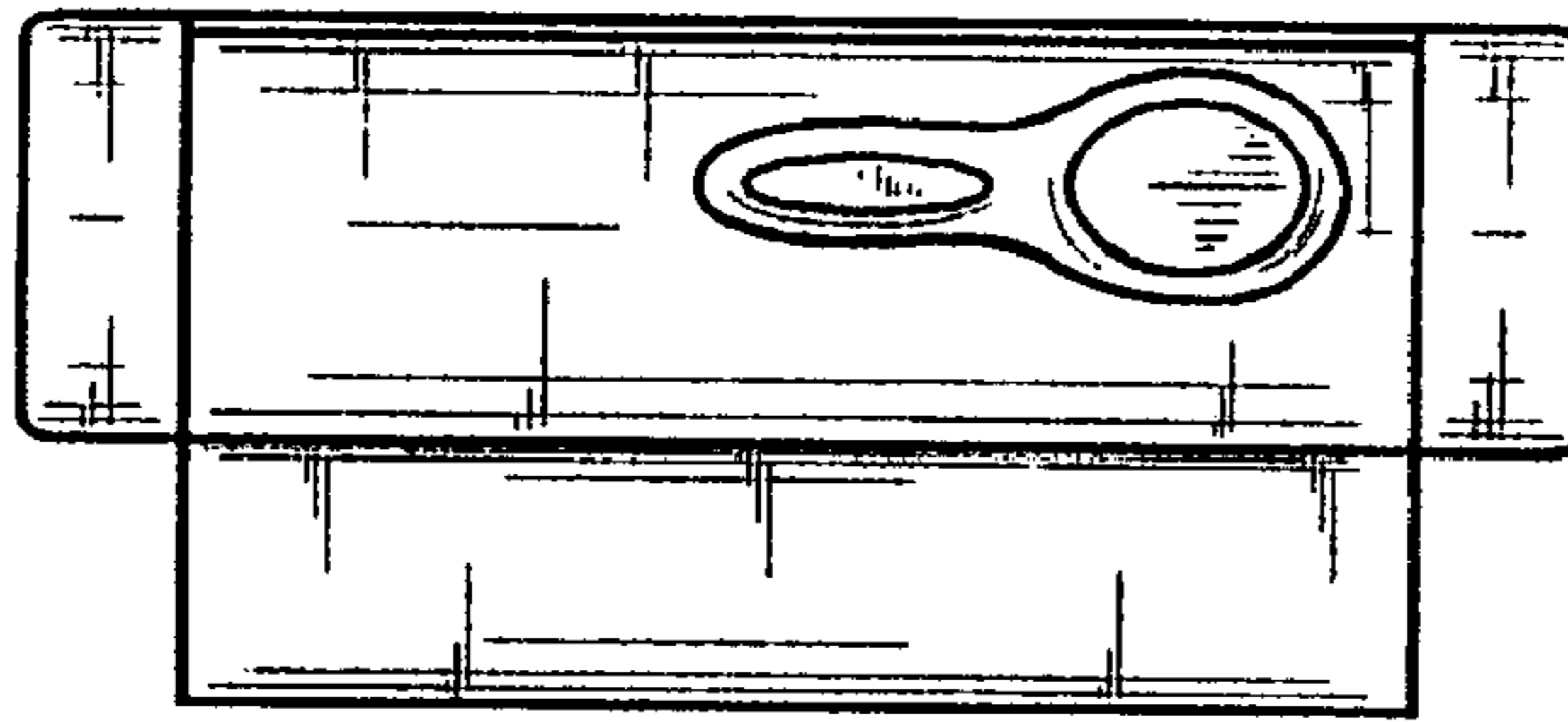
**Fig. 4**



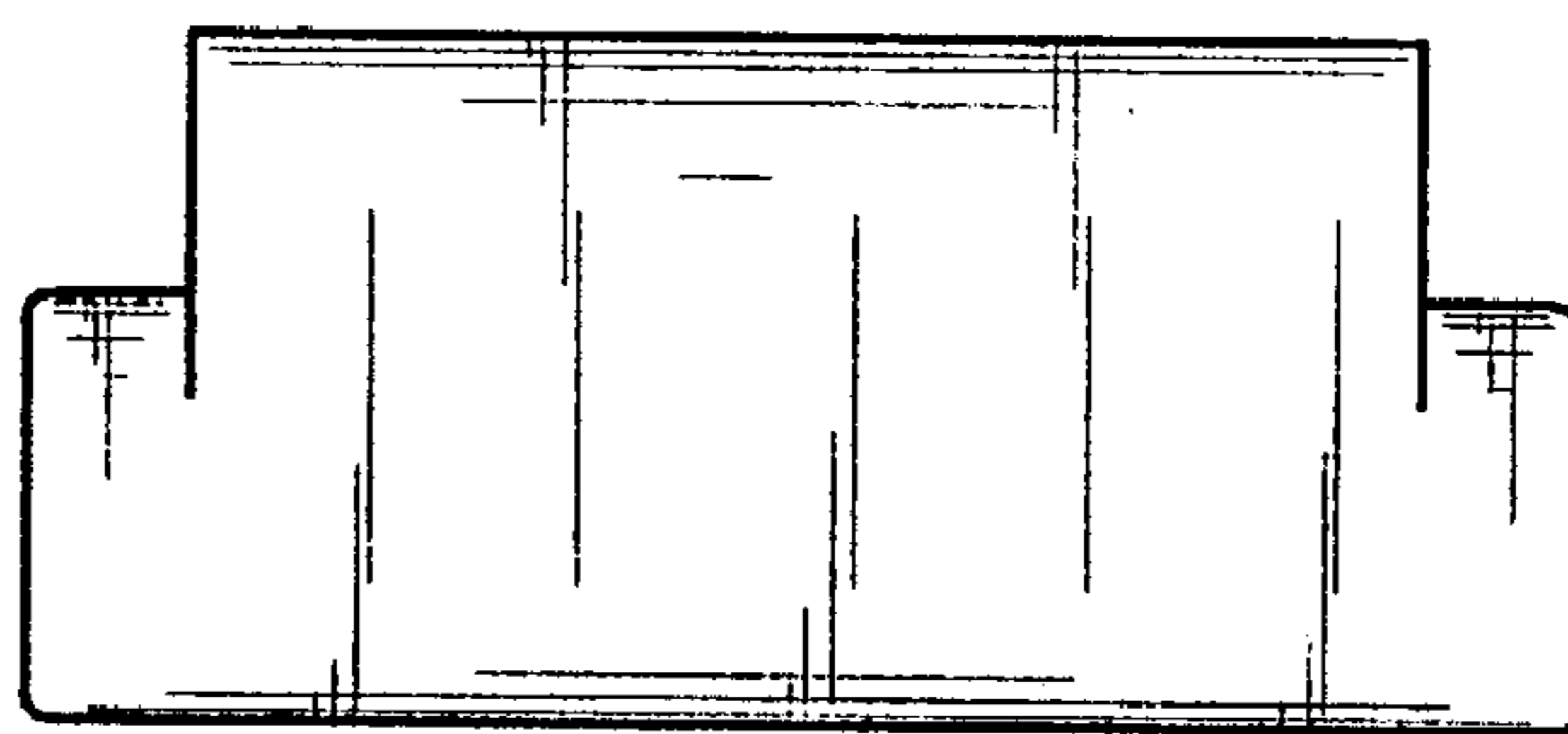
**Fig. 5**



**Fig. 6**



**Fig. 7**



**Fig. 8**