



US00D449627B1

(12) **United States Design Patent**
Tateno et al.

(10) **Patent No.:** **US D449,627 S**

(45) **Date of Patent:** **** Oct. 23, 2001**

(54) **CUTTER**

(75) Inventors: **Fumiko Tateno; Tadashi Yamaguchi,**
both of Tokyo (JP)

(73) Assignees: **Kabushiki Kaisha Shinei Selsakusho,**
Tokyo; **Yasuda Bussan Kabushiki**
Kaisha, Kanagawa, both of (JP)

(**) Term: **14 Years**

(21) Appl. No.: **29/131,722**

(22) Filed: **Oct. 26, 2000**

Related U.S. Application Data

(62) Division of application No. 29/114,885, filed on Dec. 3,
1999, now abandoned.

(30) **Foreign Application Priority Data**

Oct. 1, 1999 (JP) 11-26782

(51) **LOC (7) Cl.** **15-09**

(52) **U.S. Cl.** **D15/139**

(58) **Field of Search** D15/139; 408/219-227;
175/379, 385, 393, 418, 420.1, 421, 430,
427, 431, 432; 29/29

(56) **References Cited**

U.S. PATENT DOCUMENTS

D. 178,899 * 10/1956 Olsen D15/139

2,607,562 * 8/1952 Phipps D15/138 X
5,562,371 * 10/1996 Reed 408/222
5,915,893 * 6/1999 Miyanaga 408/225

OTHER PUBLICATIONS

Japanese Design No. 1057383, registered Sep. 17, 1999
which is based on Japanese Patent Application No.10-35639
filed Dec. 9, 1998.

* cited by examiner

Primary Examiner—Antoine Duval Davis

(74) *Attorney, Agent, or Firm*—Lawrence G. Fridman

(57) **CLAIM**

The ornamental design for a cutter, as shown and described.

DESCRIPTION

FIG. 1 is a front elevational view of a cutter of this
invention;

FIG. 2 is a rear elevational view thereof;

FIG. 3 is a top view, the bottom plan view not being shown
as it is identical thereto;

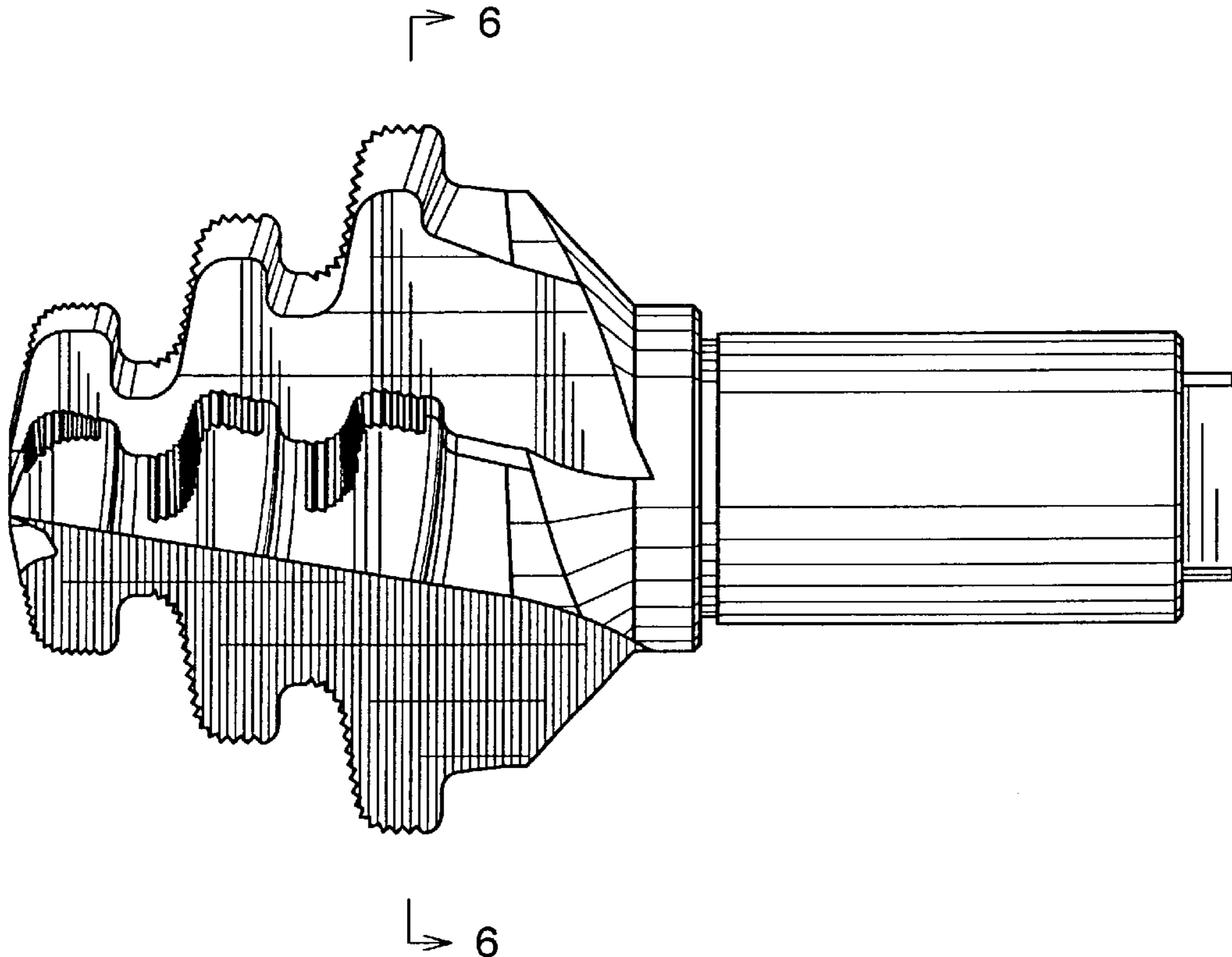
FIG. 4 is a left side elevational view thereof;

FIG. 5 is a right side elevational view thereof;

FIG. 6 is a sectional view taken along line VI—VI of FIG.
1; and,

FIG. 7 is a sectional view taken along line VII—VII of FIG.
4.

1 Claim, 6 Drawing Sheets



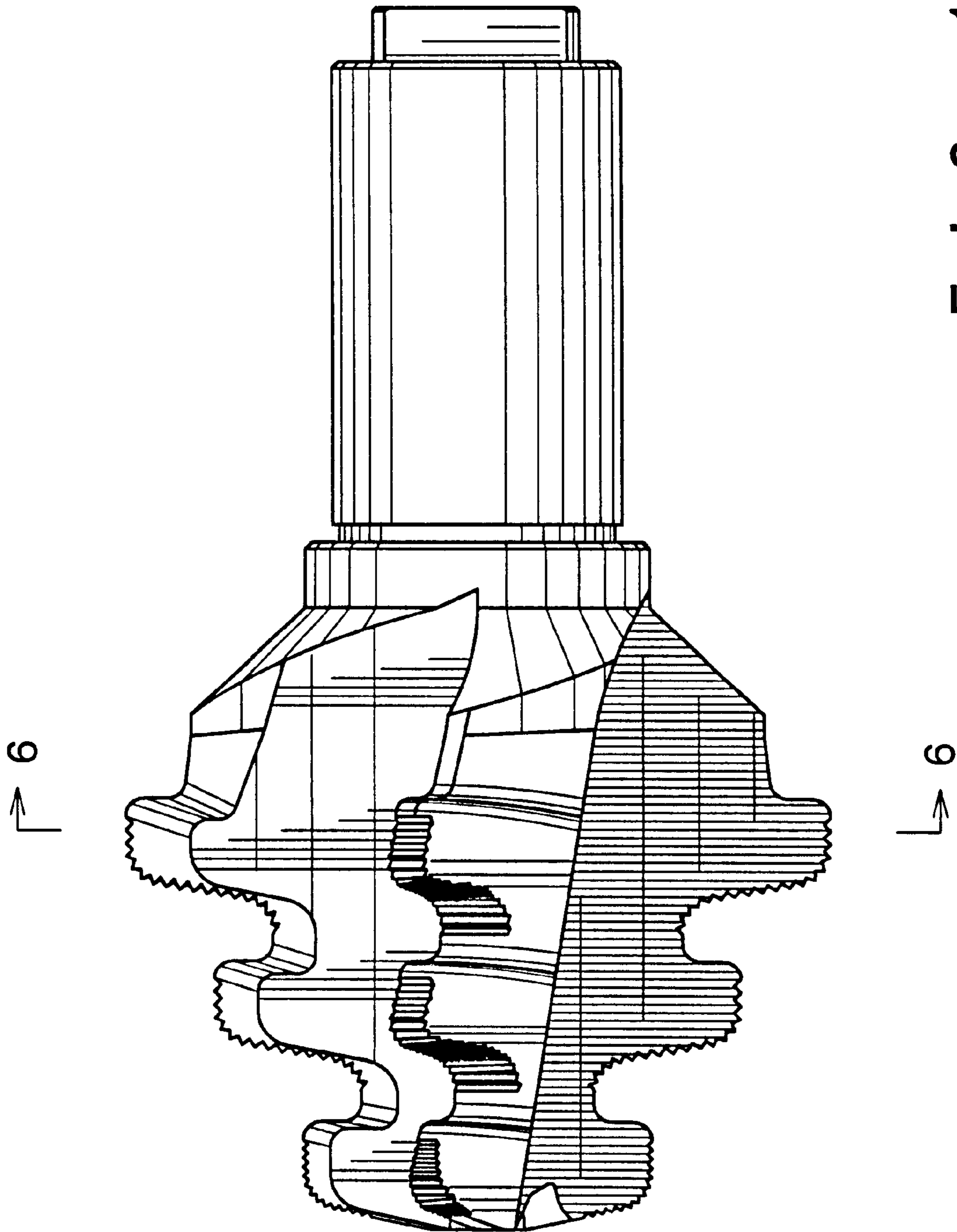


FIG. 1

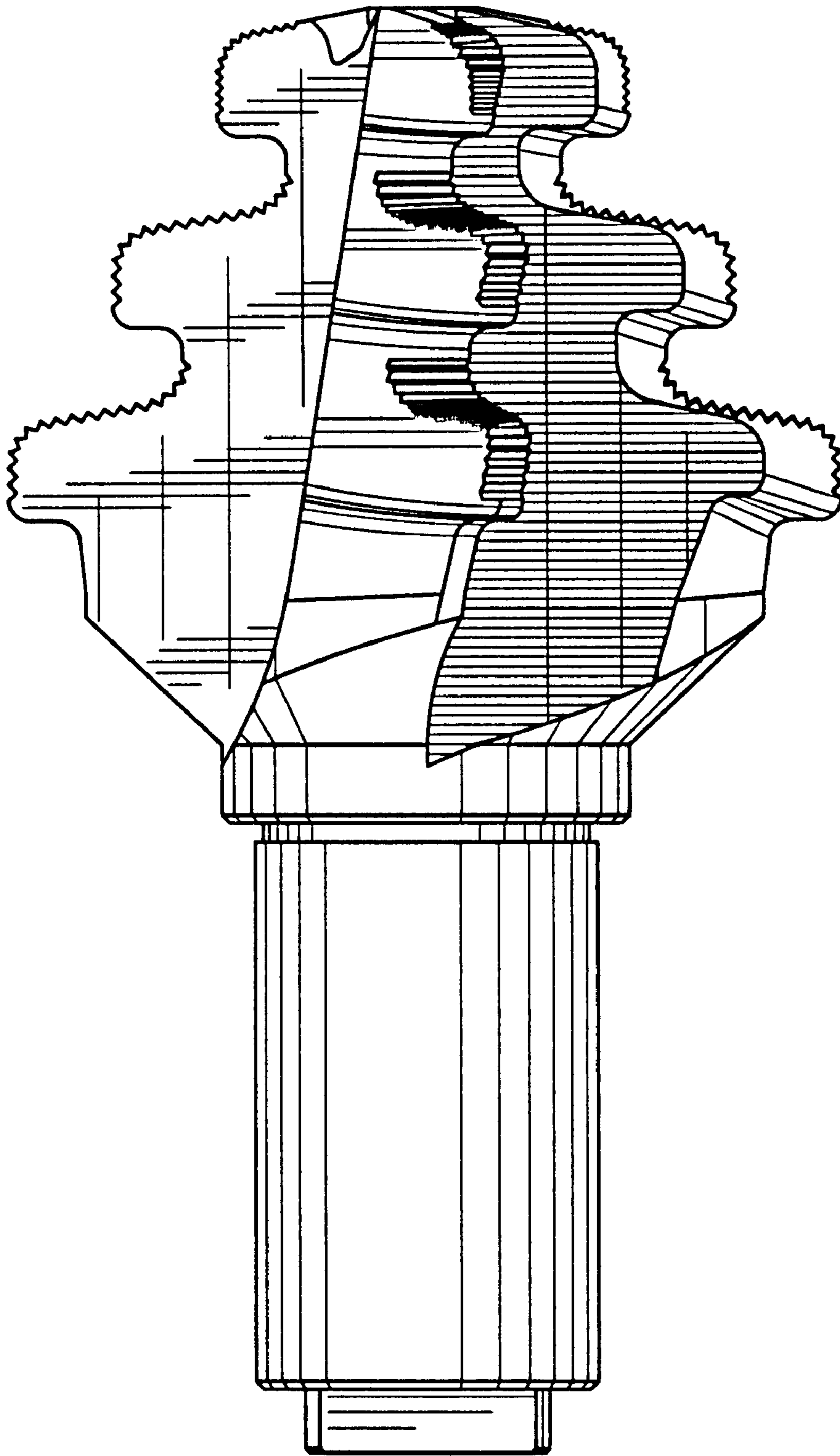


FIG. 2

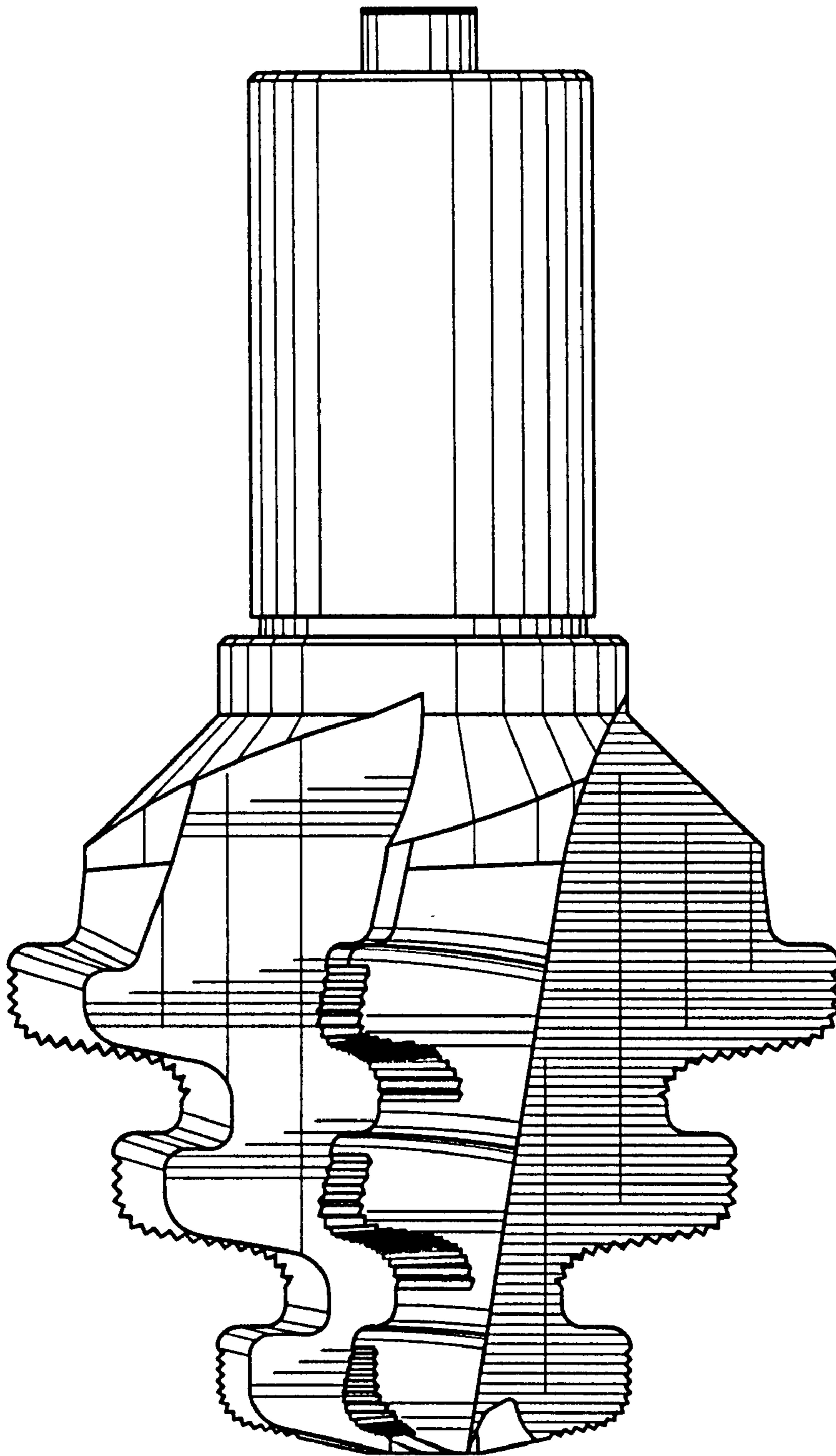


FIG. 3

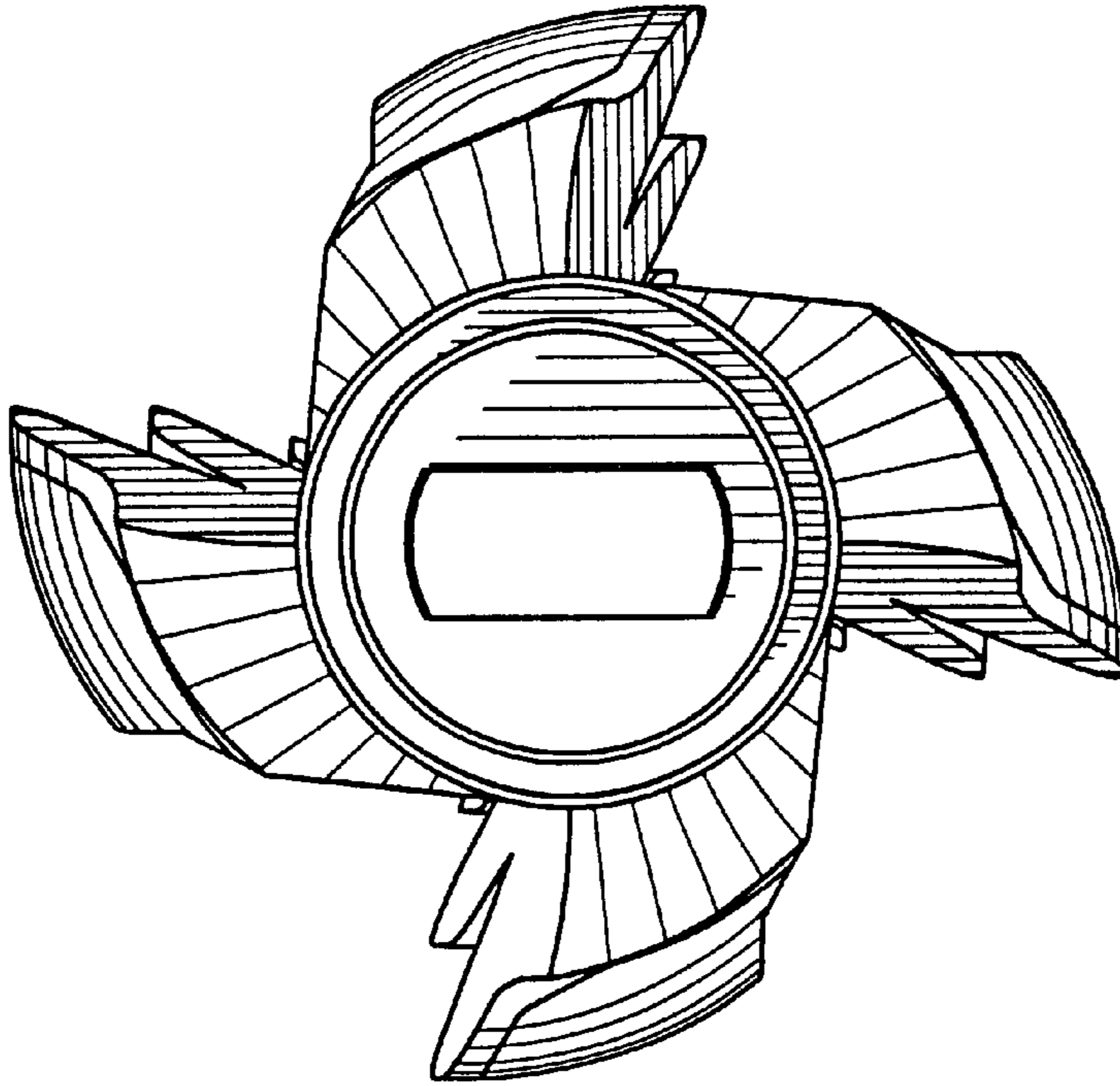


FIG. 5

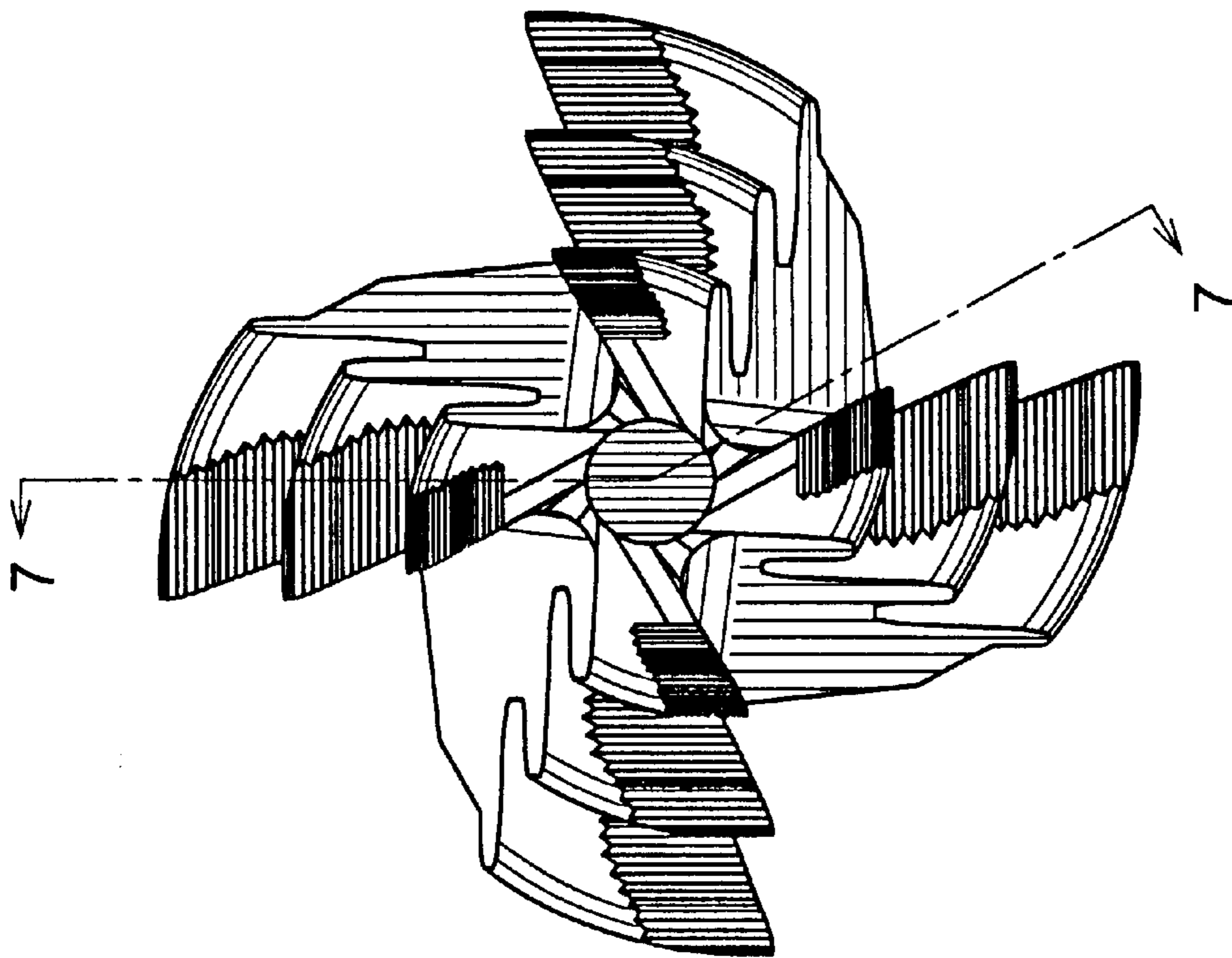


FIG. 4

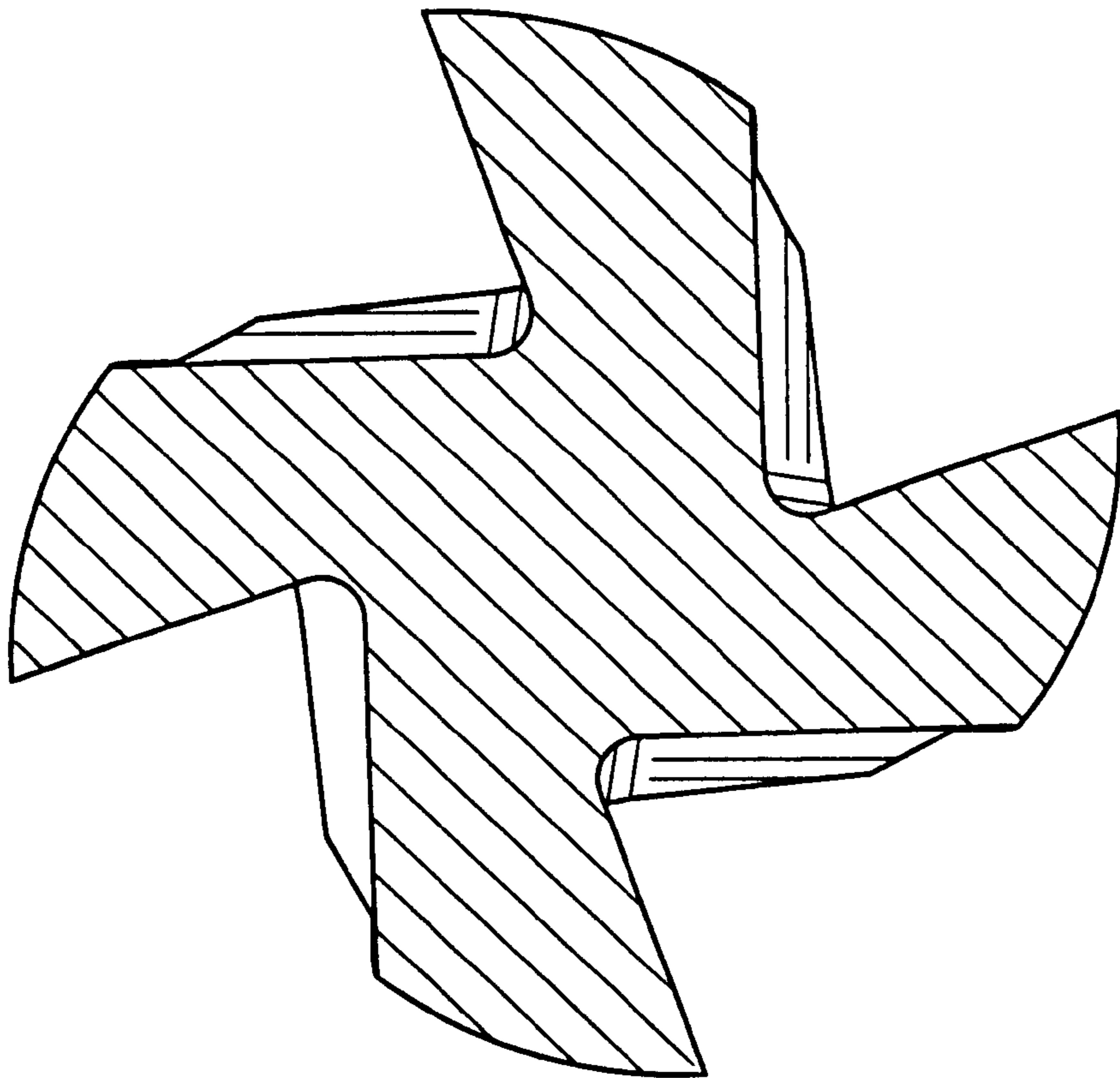


FIG. 6

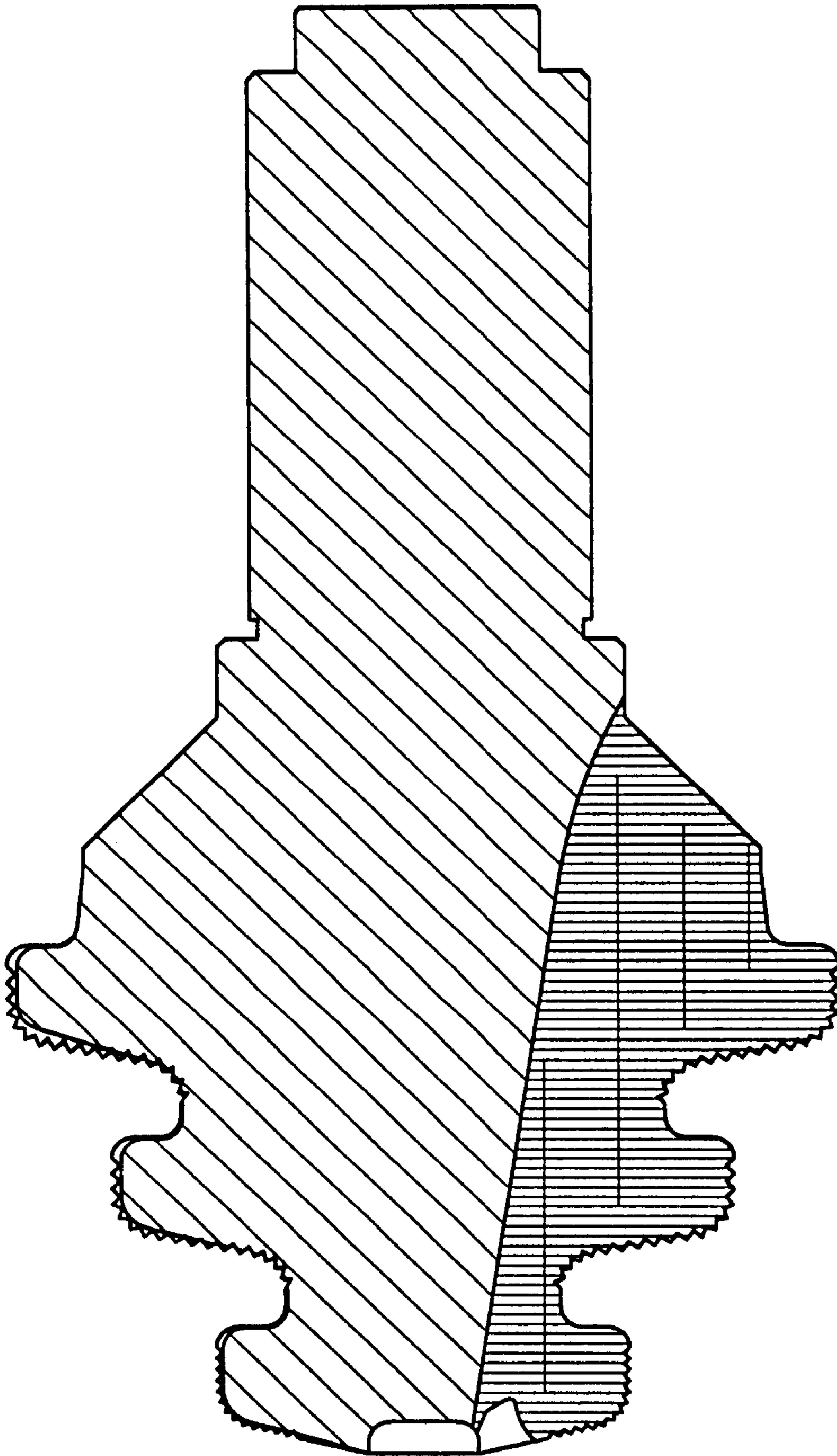


FIG. 7