



US00D449622B1

(12) **United States Design Patent**
Csonka et al.

(10) **Patent No.:** **US D449,622 S**

(45) **Date of Patent:** **** Oct. 23, 2001**

(54) **PORTION OF A LINE TRIMMER**

5,313,770 * 5/1994 Smothers 56/12.7

5,862,655 * 1/1999 Altamirano et al. 56/16.7

6,003,292 * 12/1999 Waibel 56/16.7

(75) Inventors: **Bela I. Csonka**, Green Bay; **Joseph J. Damle**, Menasha; **Timothy J. Peter**, Appleton; **Perry L. Prochnow**, Brillion, all of WI (US)

* cited by examiner

Primary Examiner—Mitchell Siegel

(73) Assignee: **Ariens Company**, Brillion, WI (US)

(74) *Attorney, Agent, or Firm*—Michael Best & Friedrich LLP

(**) Term: **14 Years**

(57) **CLAIM**

(21) Appl. No.: **29/126,657**

We claim the ornamental design for a portion of a line trimmer, as shown and described.

(22) Filed: **Jul. 20, 2000**

DESCRIPTION

(51) **LOC (7) Cl.** **15-03**

(52) **U.S. Cl.** **D15/14**

(58) **Field of Search** D15/14, 31; 56/16.7, 56/17.1, 16.9, 17.4, 255, 294, 320.1, 12.8, 12.9, 12.7

FIG. 1 is a perspective view of the design while in use.

FIG. 2 is a top view of the design shown in FIG. 1; and,

FIG. 3 is a side view of the design shown in FIG. 1.

The side view of the design opposite that illustrated in FIG.

3 is a mirror image of FIG. 3. The broken line showing of

the environment is for illustrative purposes only and forms

no part of the claimed design. The broken line which defines

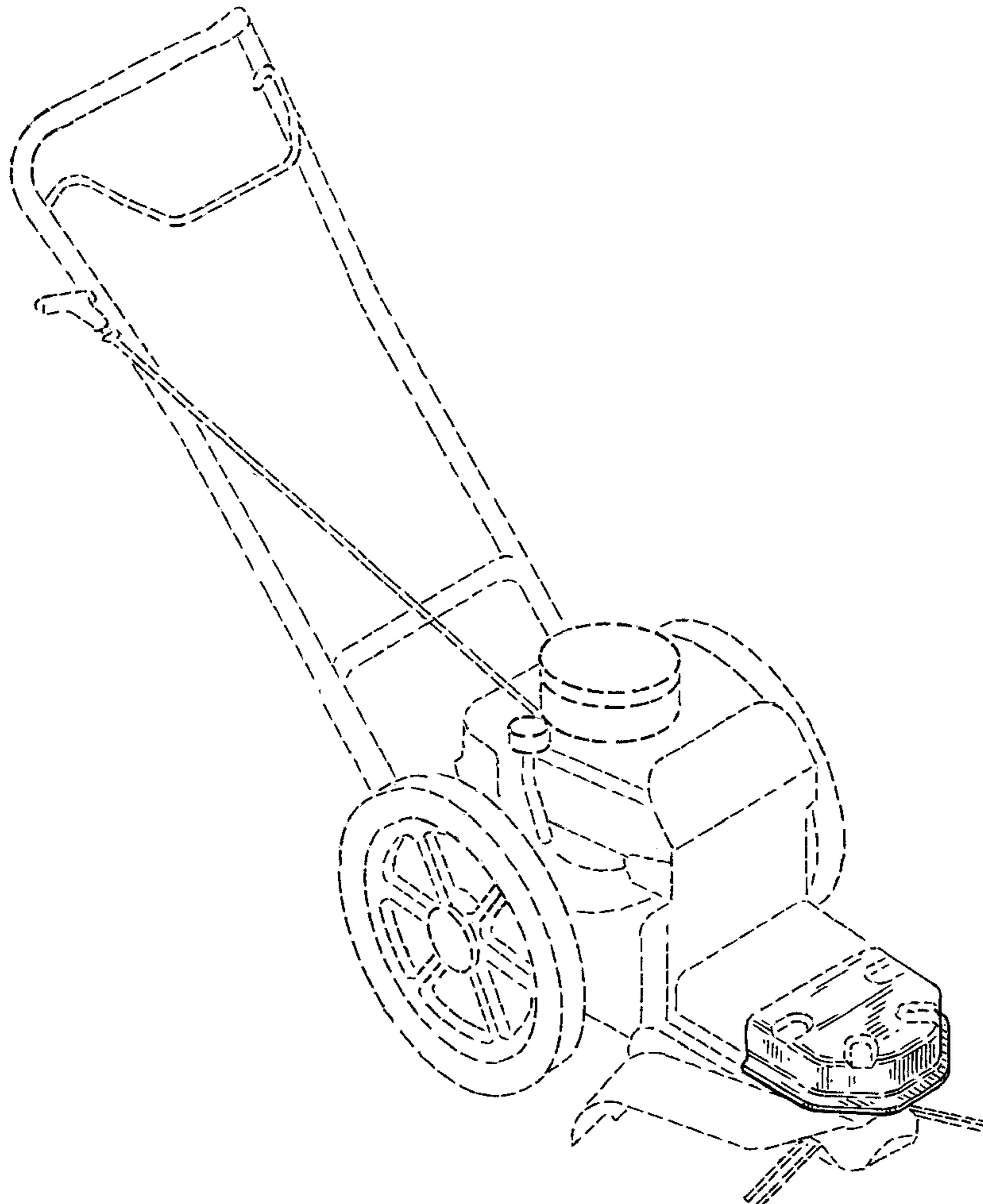
a boundaries of the claimed design forms no part thereof.

(56) **References Cited**

U.S. PATENT DOCUMENTS

D. 417,458 * 12/1999 Waibel D15/14
5,263,304 * 11/1993 Fassauer 56/12.8

1 Claim, 2 Drawing Sheets



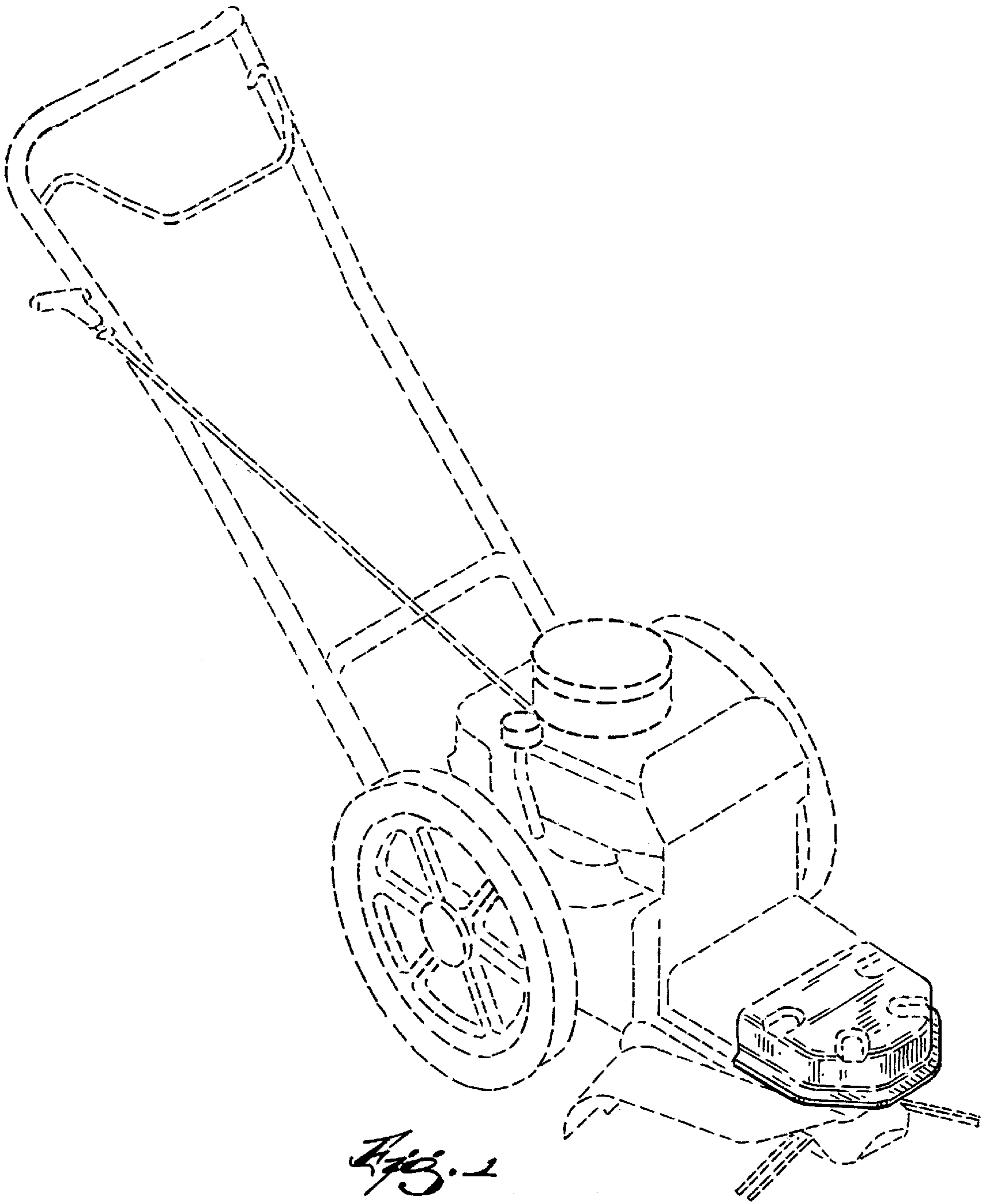


Fig. 1

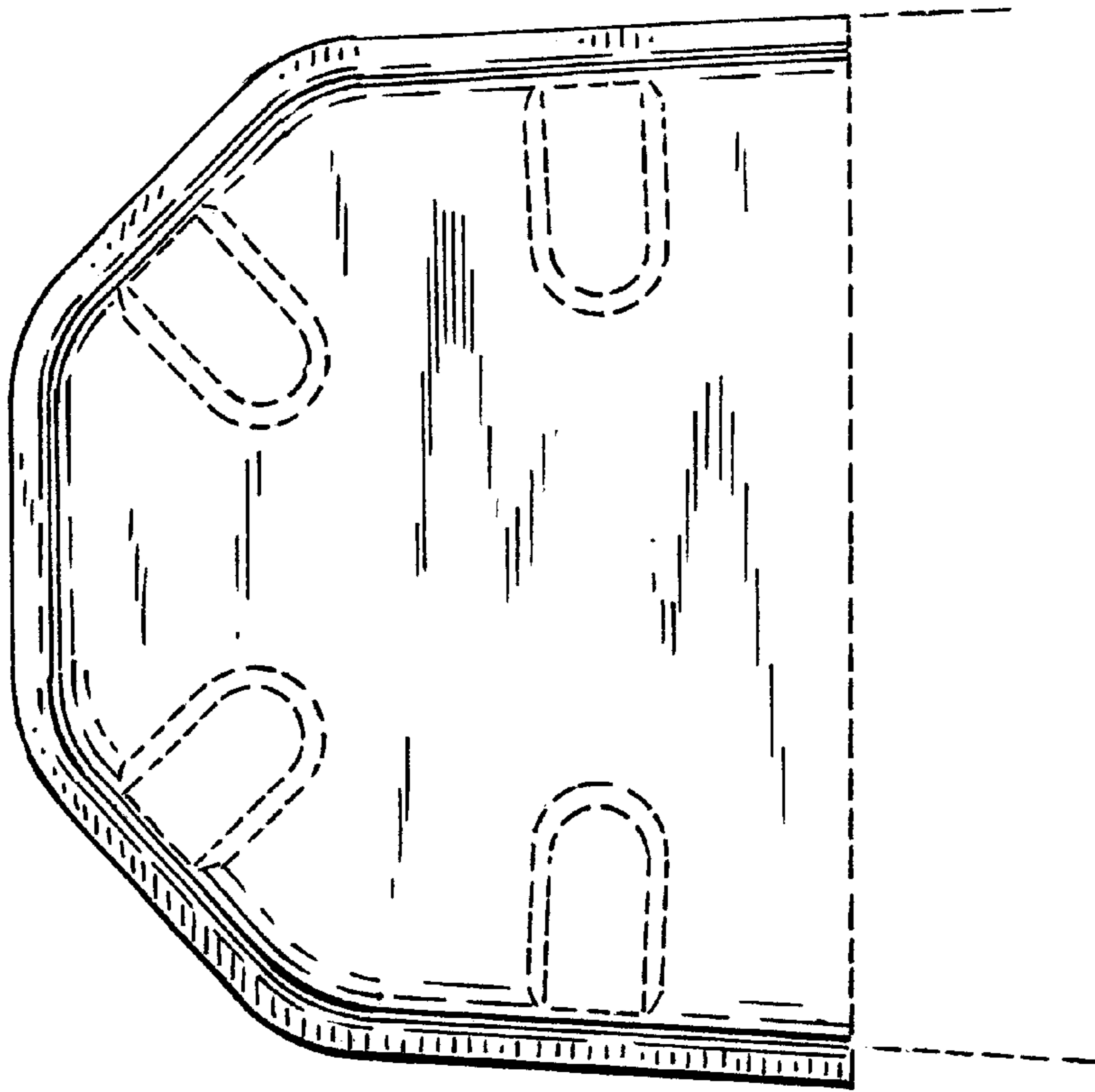


Fig. 2.



Fig. 3

UNITED STATES PATENT AND TRADEMARK OFFICE
CERTIFICATE OF CORRECTION

PATENT NO. : Des 449,622 S
DATED : October 23, 2001
INVENTOR(S) : Bela I. Csonka, Joseph J. Damie, Timothy J. Peter and Perry L. Prochnow

Page 1 of 1

It is certified that error appears in the above-identified patent and that said Letters Patent is hereby corrected as shown below:

Title page,

Item "[75] Inventors" delete "**Joseph J. Damle**" and insert -- **Joseph J. Damie** --

Signed and Sealed this

Twenty-first Day of May, 2002

Attest:



Attesting Officer

JAMES E. ROGAN
Director of the United States Patent and Trademark Office