



US00D449620B1

(12) **United States Design Patent**  
**Feuling**

(10) **Patent No.:** **US D449,620 S**

(45) **Date of Patent:** **\*\* Oct. 23, 2001**

(54) **THREE CYLINDER ENGINE**

1,612,985 \* 7/1927 Quick ..... 123/54.2 X  
1,966,771 \* 1/1934 Thaheld ..... 123/54.2 X

(76) Inventor: **James J. Feuling**, 2521 Palma, Ventura,  
CA (US) 93003

\* cited by examiner

(\*\*) Term: **14 Years**

*Primary Examiner*—Melody N. Brown  
(74) *Attorney, Agent, or Firm*—Kelly Bauersfeld Lowry &  
Kelley, LLP

(21) Appl. No.: **29/109,219**

(22) Filed: **Aug. 11, 1999**

(57) **CLAIM**

(51) **LOC (7) Cl.** ..... **15-01**

The ornamental design for a three cylinder engine, as shown  
and described.

(52) **U.S. Cl.** ..... **D15/1**

(58) **Field of Search** ..... D15/1, 3, 5; D12/110,  
D12/114; 280/219; 123/52.1, 54.1, 54.2,  
54.5

**DESCRIPTION**

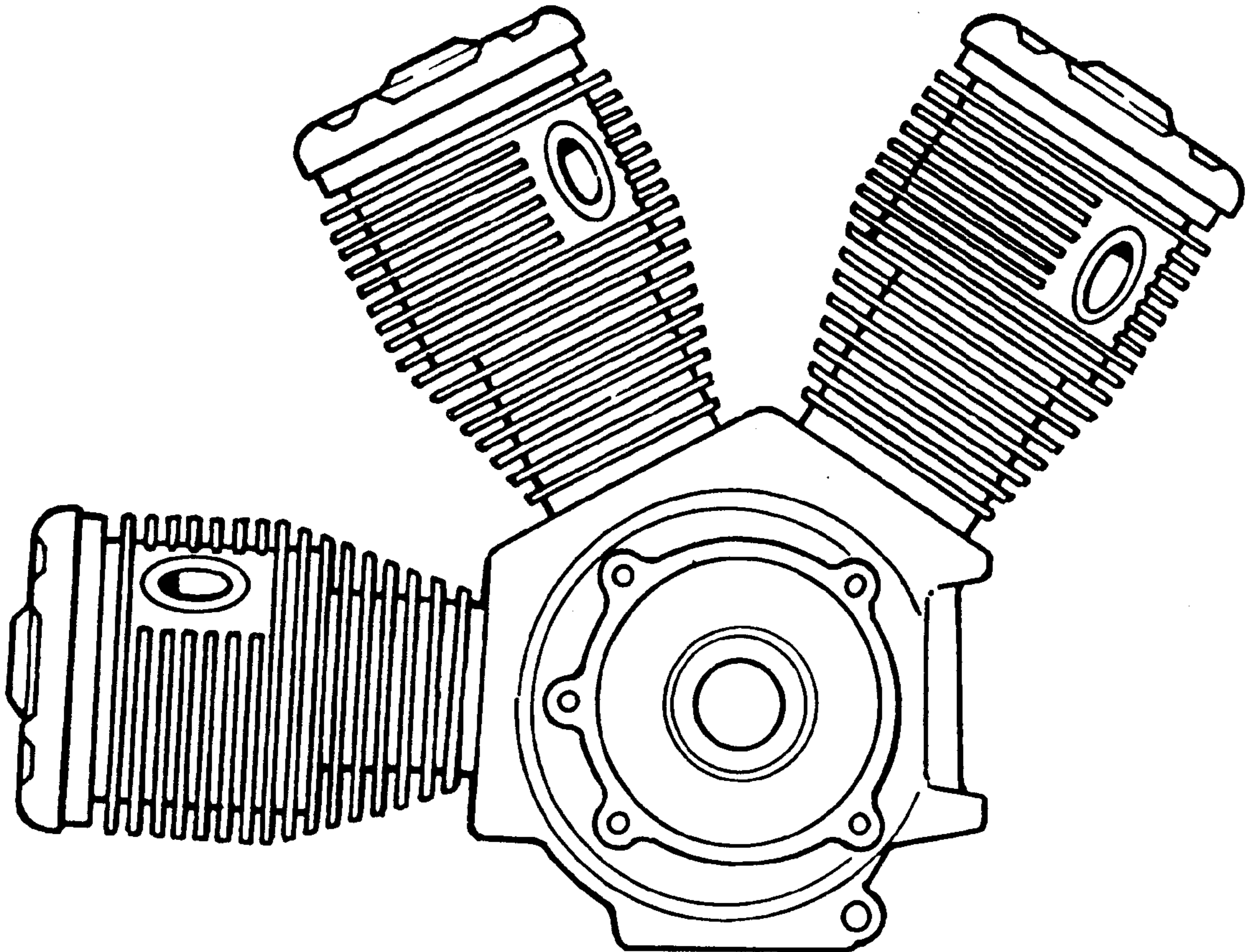
(56) **References Cited**

**U.S. PATENT DOCUMENTS**

- D. 277,756 \* 2/1985 Davidson ..... D15/5
- D. 280,200 \* 8/1985 Iwakura et al. .... D15/1
- D. 417,674 \* 12/1999 Feuling ..... D15/1
- D. 434,047 \* 11/2000 Ballentine ..... D15/1

FIG. 1 is a left side elevation view of the engine;  
FIG. 2 is a front elevation view of the engine;  
FIG. 3 is a back elevation view of the engine;  
FIG. 4 is a top plan view of the engine;  
FIG. 5 is a right side elevation view of the engine; and,  
FIG. 6 is a bottom plan view of the engine.

**1 Claim, 2 Drawing Sheets**



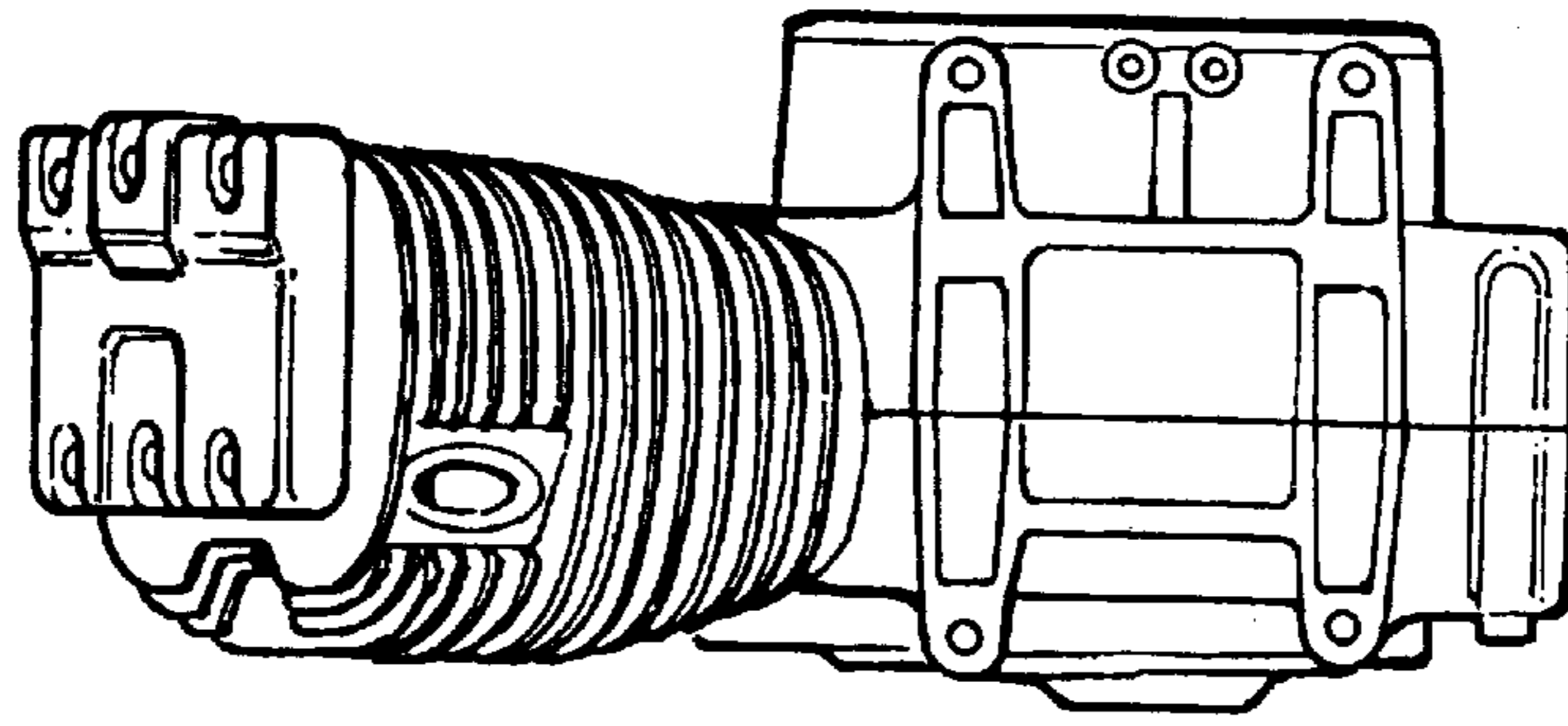


FIGURE 3

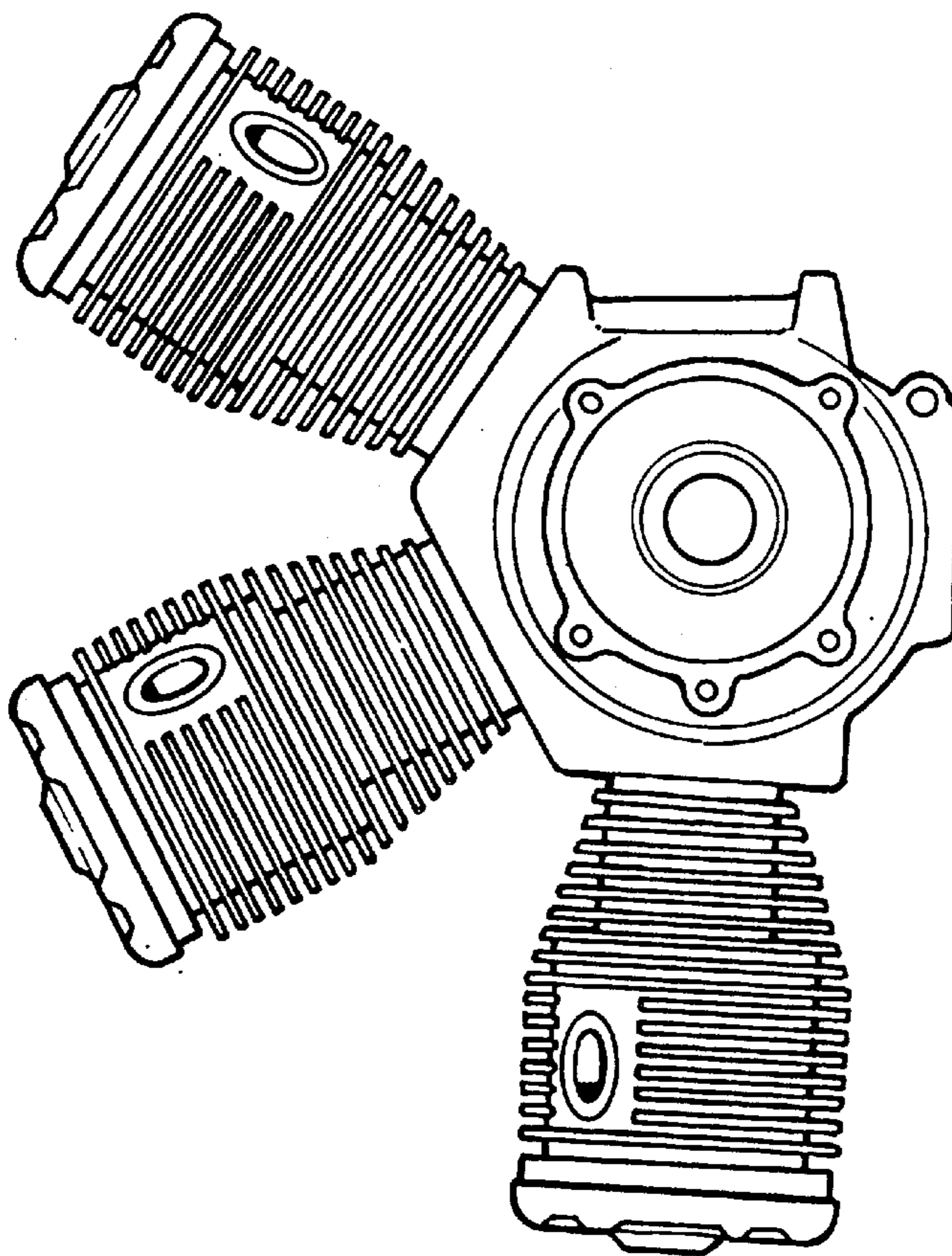


FIGURE 1

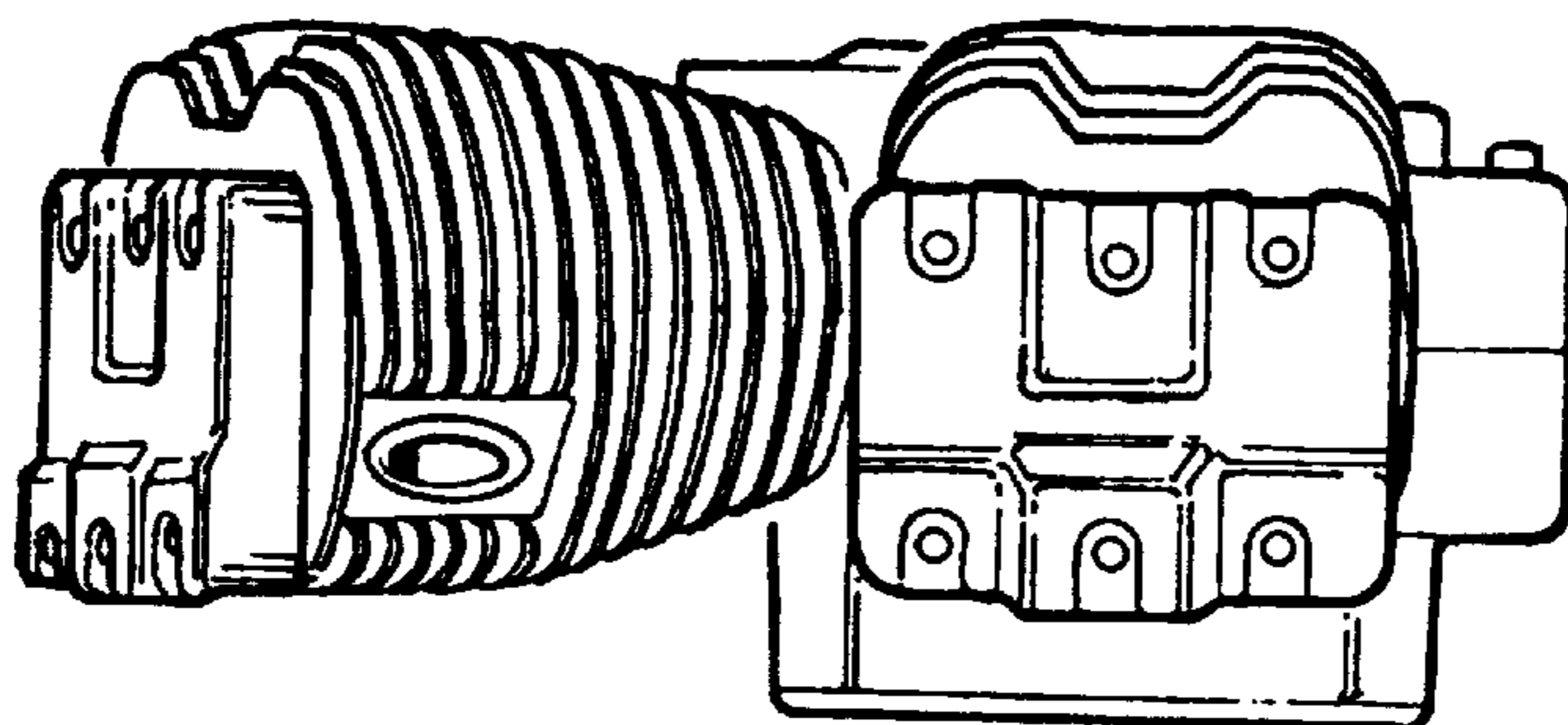


FIGURE 2



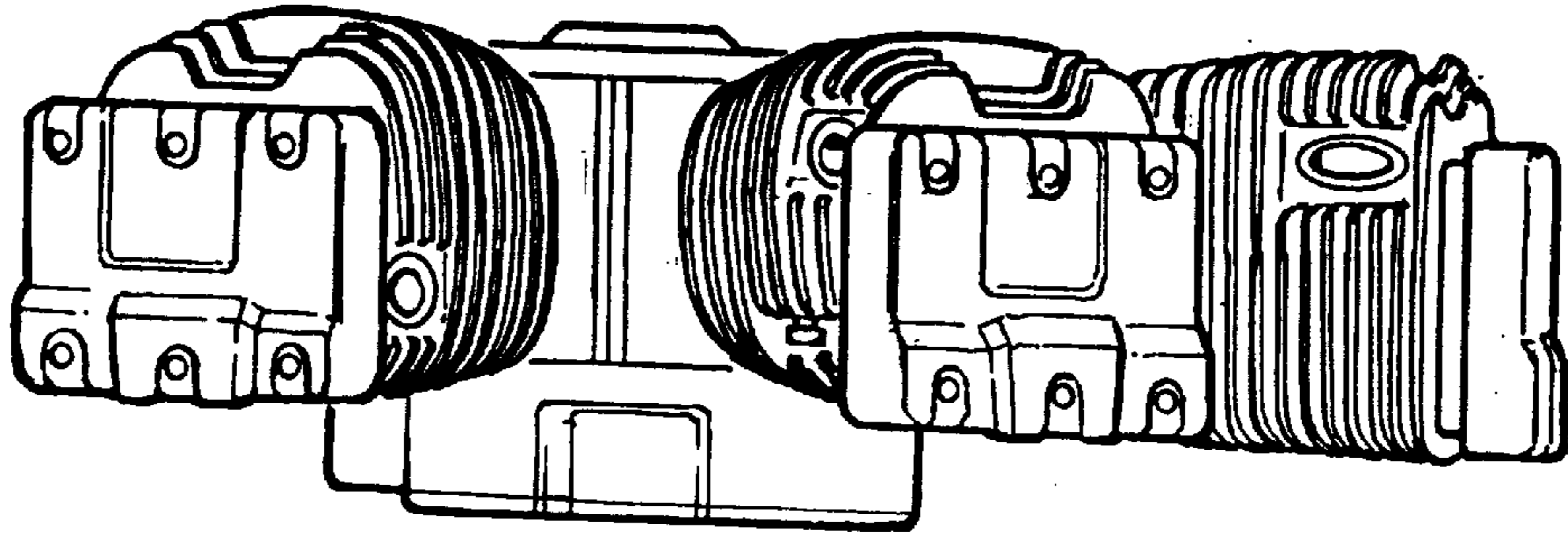


FIGURE 4

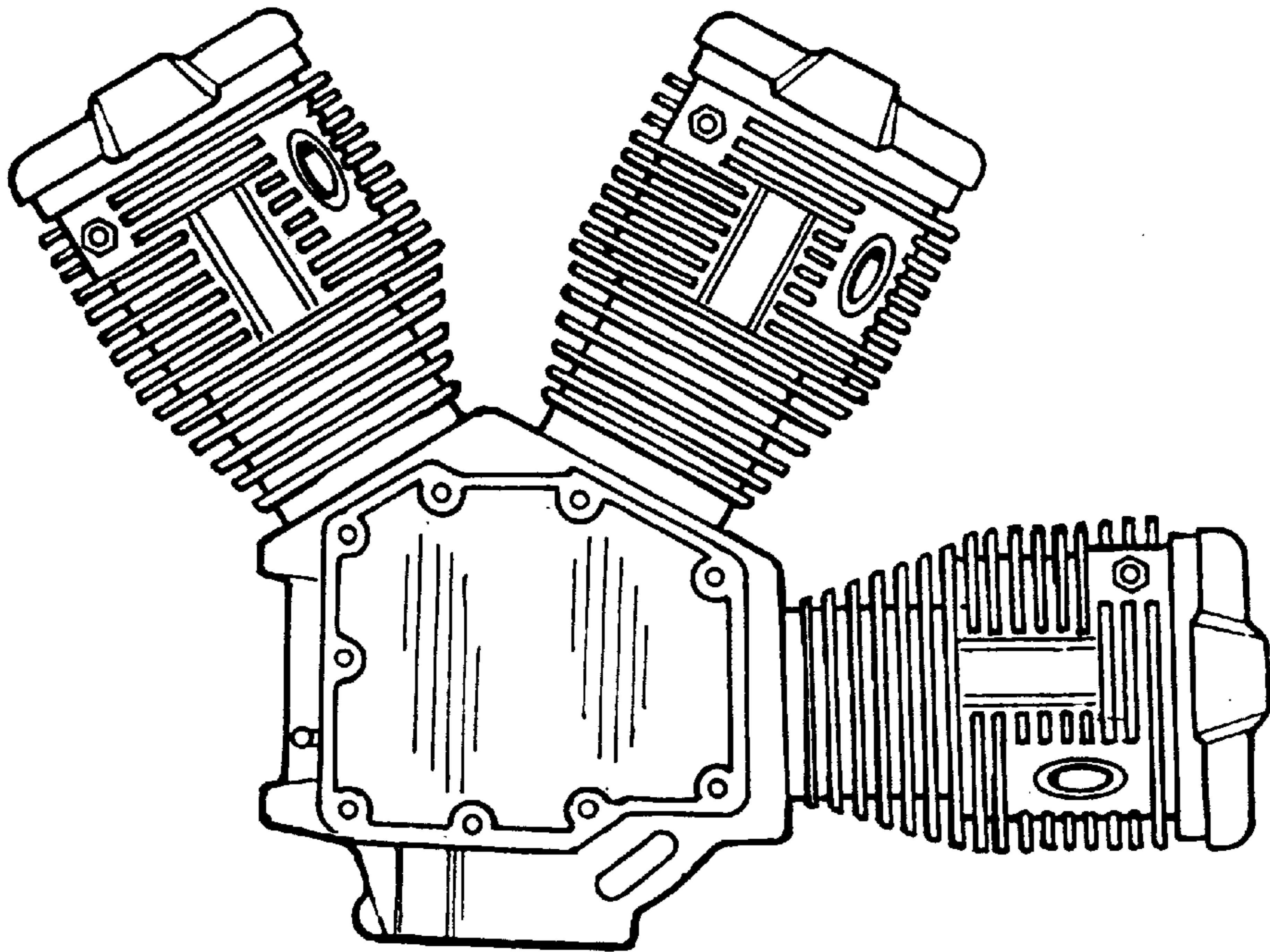


FIGURE 5

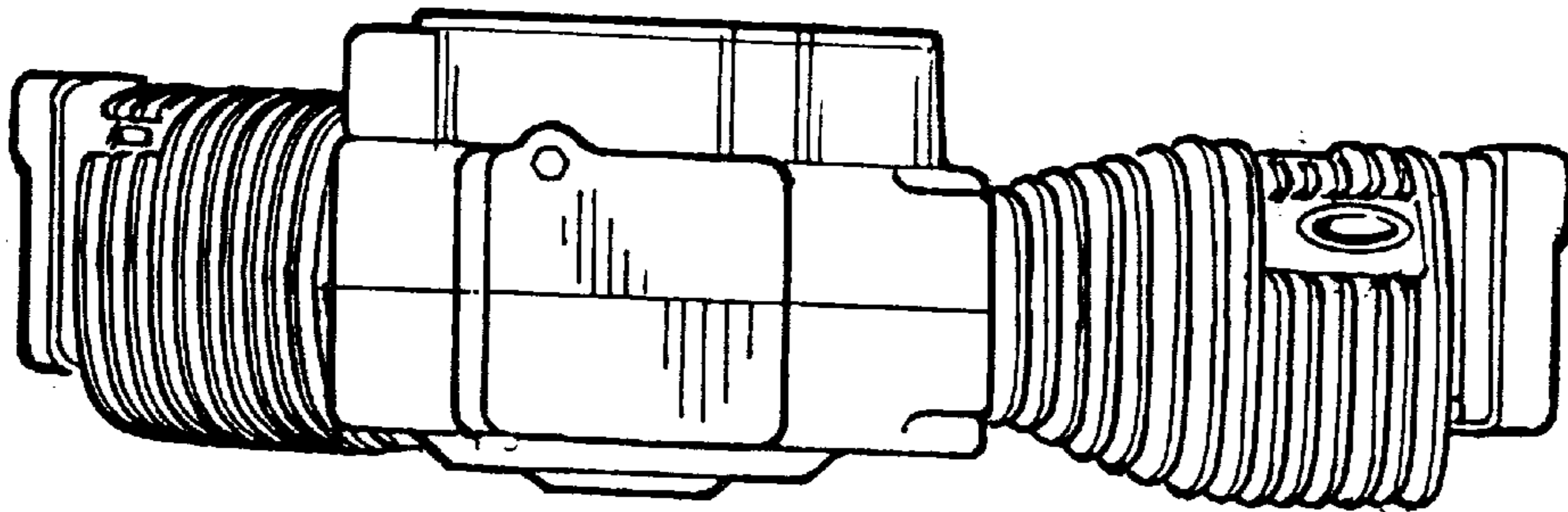


FIGURE 6