



US00D449617B1

(12) **United States Design Patent**
Herath

(10) **Patent No.:** **US D449,617 S**

(45) **Date of Patent:** **** Oct. 23, 2001**

(54) **PALM III ADAPTER**

(75) **Inventor:** **Jeffrey Alan Herath**, Virginia Beach, VA (US)

(73) **Assignee:** **Vianix, LC**, Virginia Beach, VA (US)

(**) **Term:** **14 Years**

(21) **Appl. No.:** **29/133,130**

(22) **Filed:** **Nov. 22, 2000**

(51) **LOC (7) Cl.** **14-02**

(52) **U.S. Cl.** **D14/433**

(58) **Field of Search** D14/432, 433, D14/439; D13/147, 133, 146, 184; 361/683; 439/620, 633, 651, 347, 357

(56) **References Cited**

U.S. PATENT DOCUMENTS

- D. 308,197 * 5/1990 Inoue D14/433
- D. 317,913 * 7/1991 Inoue D14/433

- D. 348,874 * 7/1994 Pemberton D14/433
- D. 372,708 * 8/1996 Hetherington D14/433

* cited by examiner

Primary Examiner—Kay H. Chin

(74) *Attorney, Agent, or Firm*—Kaufman & Canoles

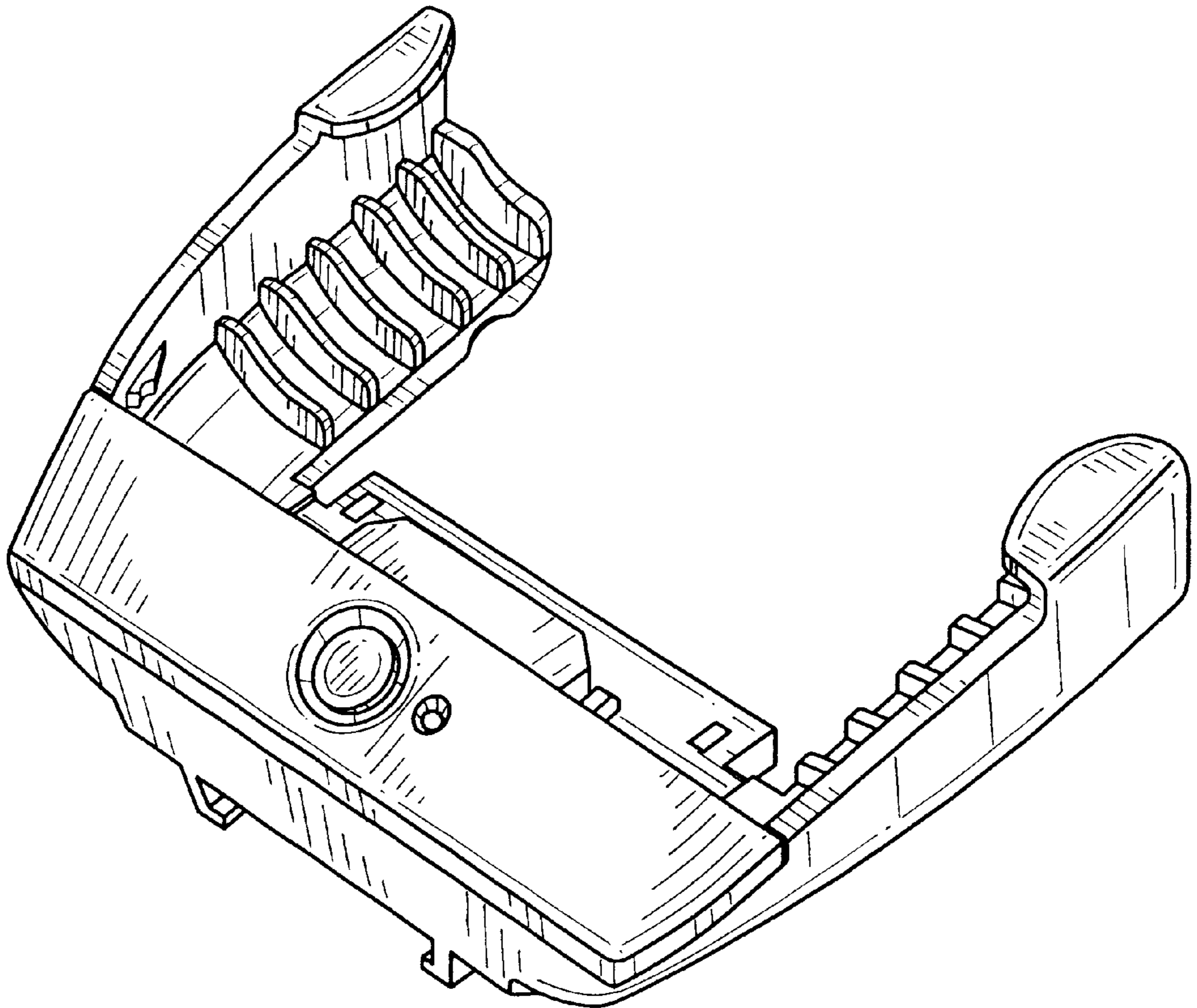
(57) **CLAIM**

The ornamental design for a palm III adapter, as shown and described.

DESCRIPTION

FIG. 1 is a perspective view of a palm III adapter;
 FIG. 2 is a left side view thereof;
 FIG. 3 is a top plan view thereof;
 FIG. 4 is a front elevational view thereof;
 FIG. 5 is a rear elevational view thereof;
 FIG. 6 is a right side view thereof; and,
 FIG. 7 is a bottom plan view thereof.

1 Claim, 3 Drawing Sheets



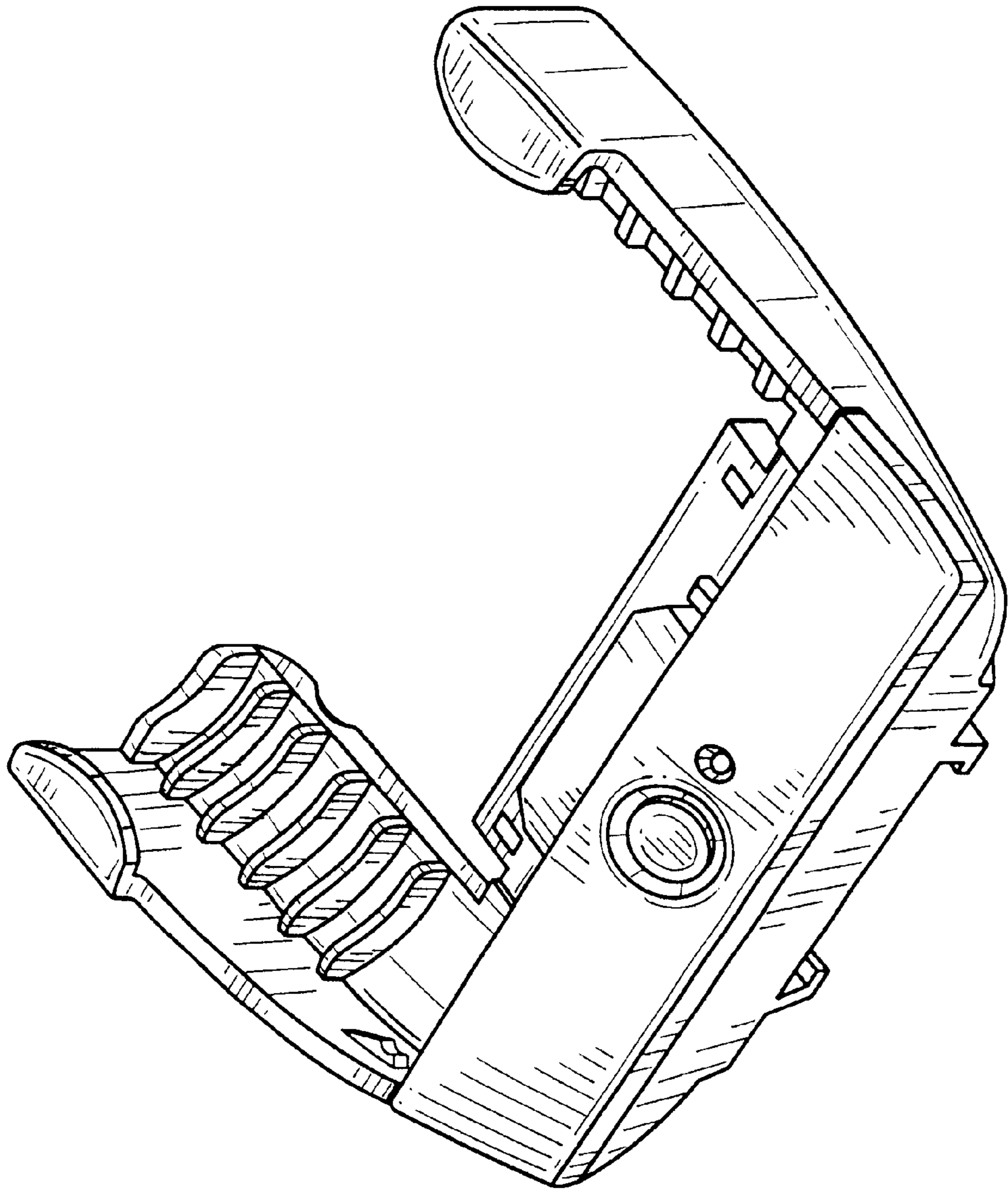


FIG. 1

FIG. 2

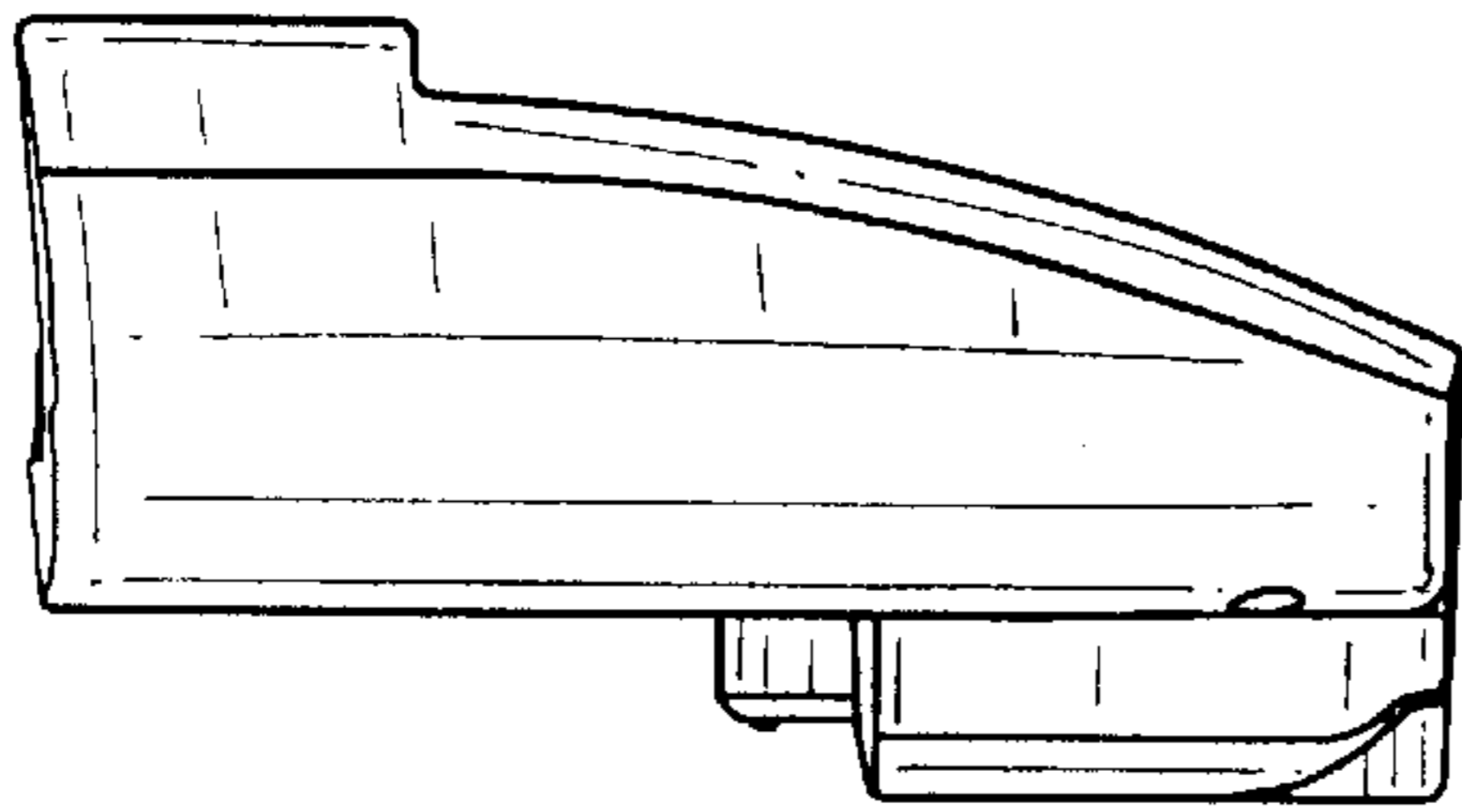


FIG. 3

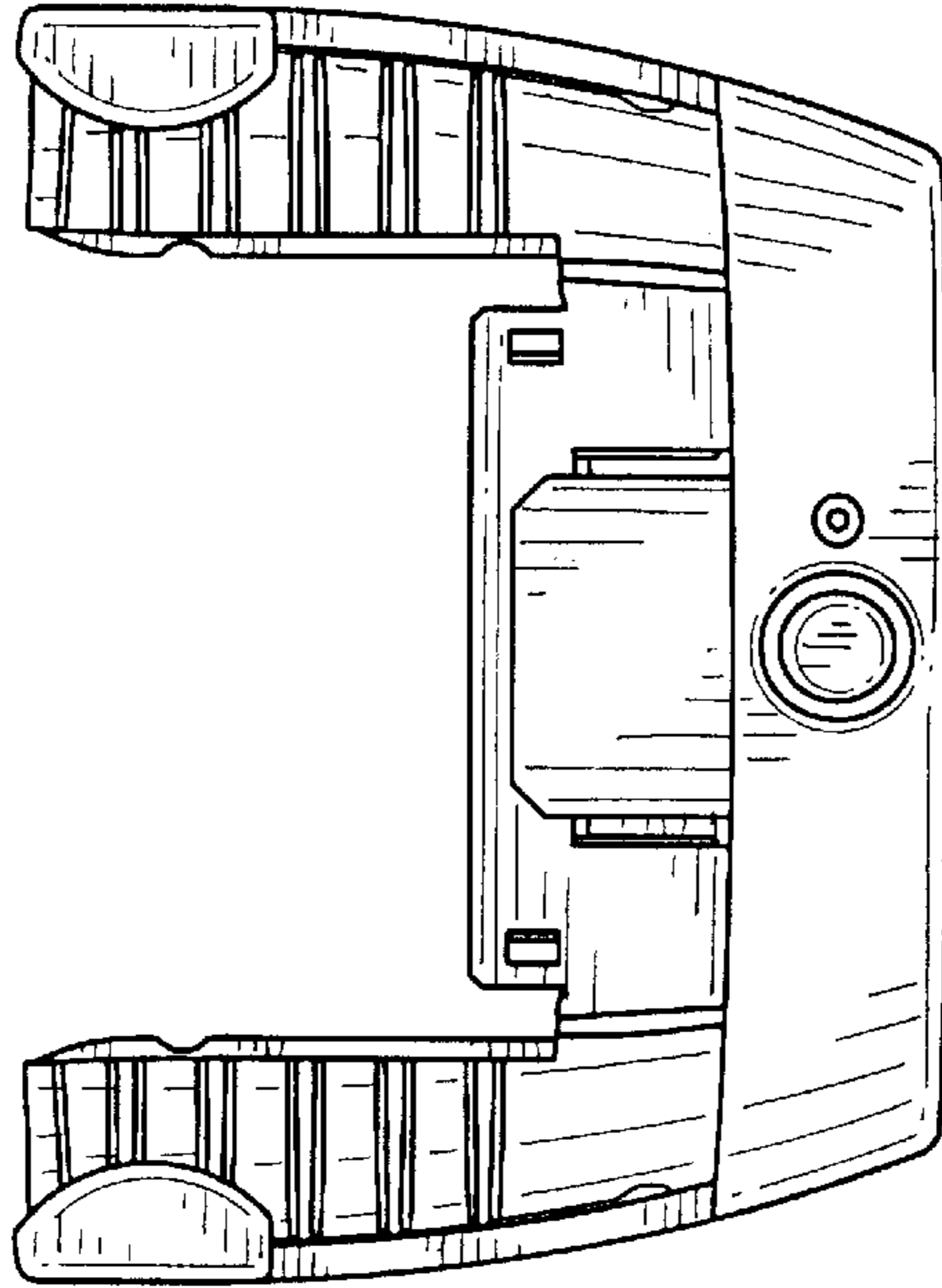


FIG. 4

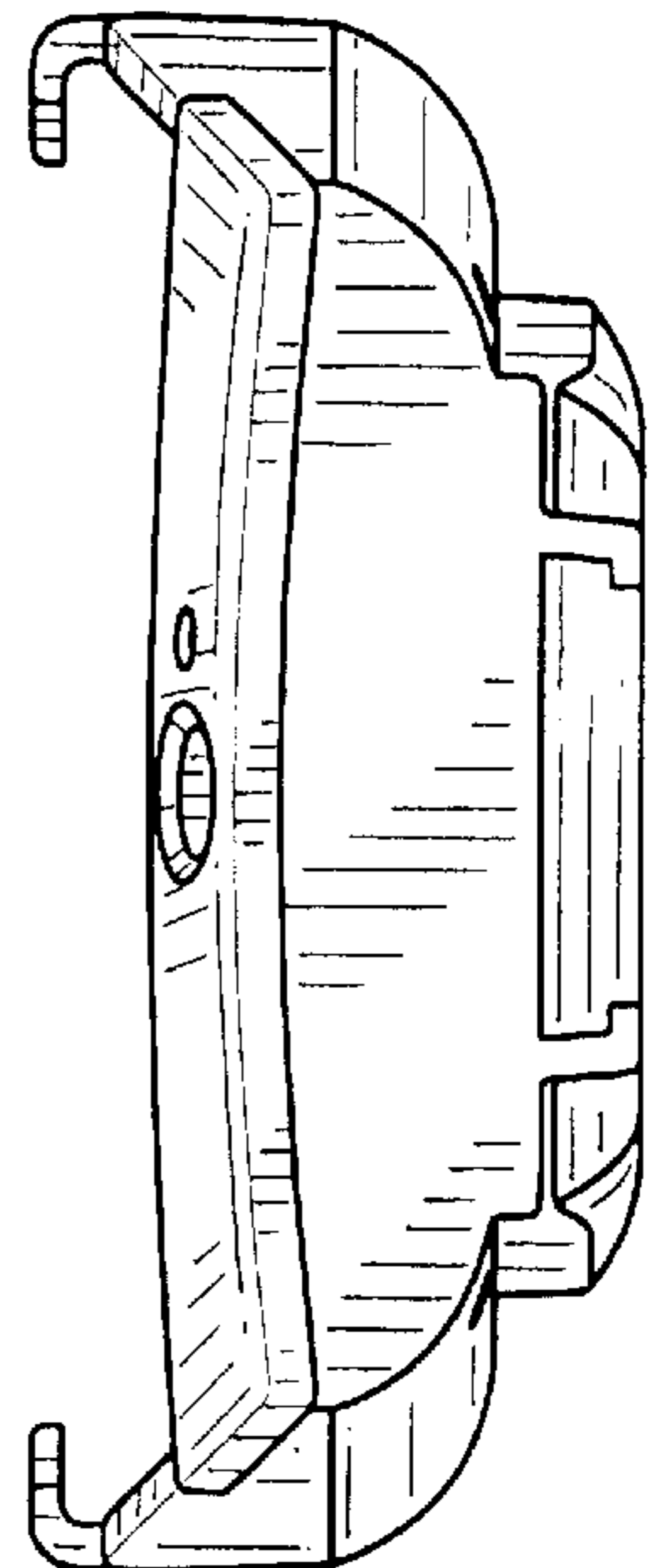


FIG. 5

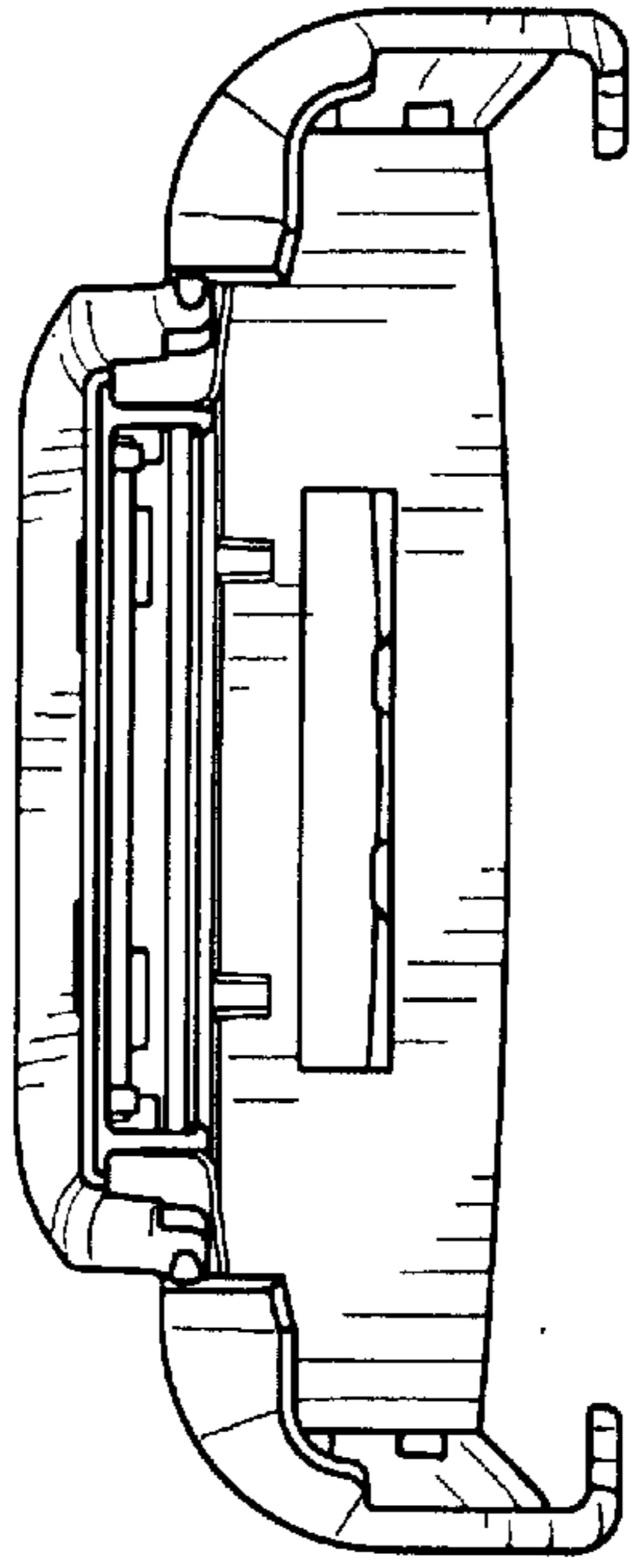


FIG. 7

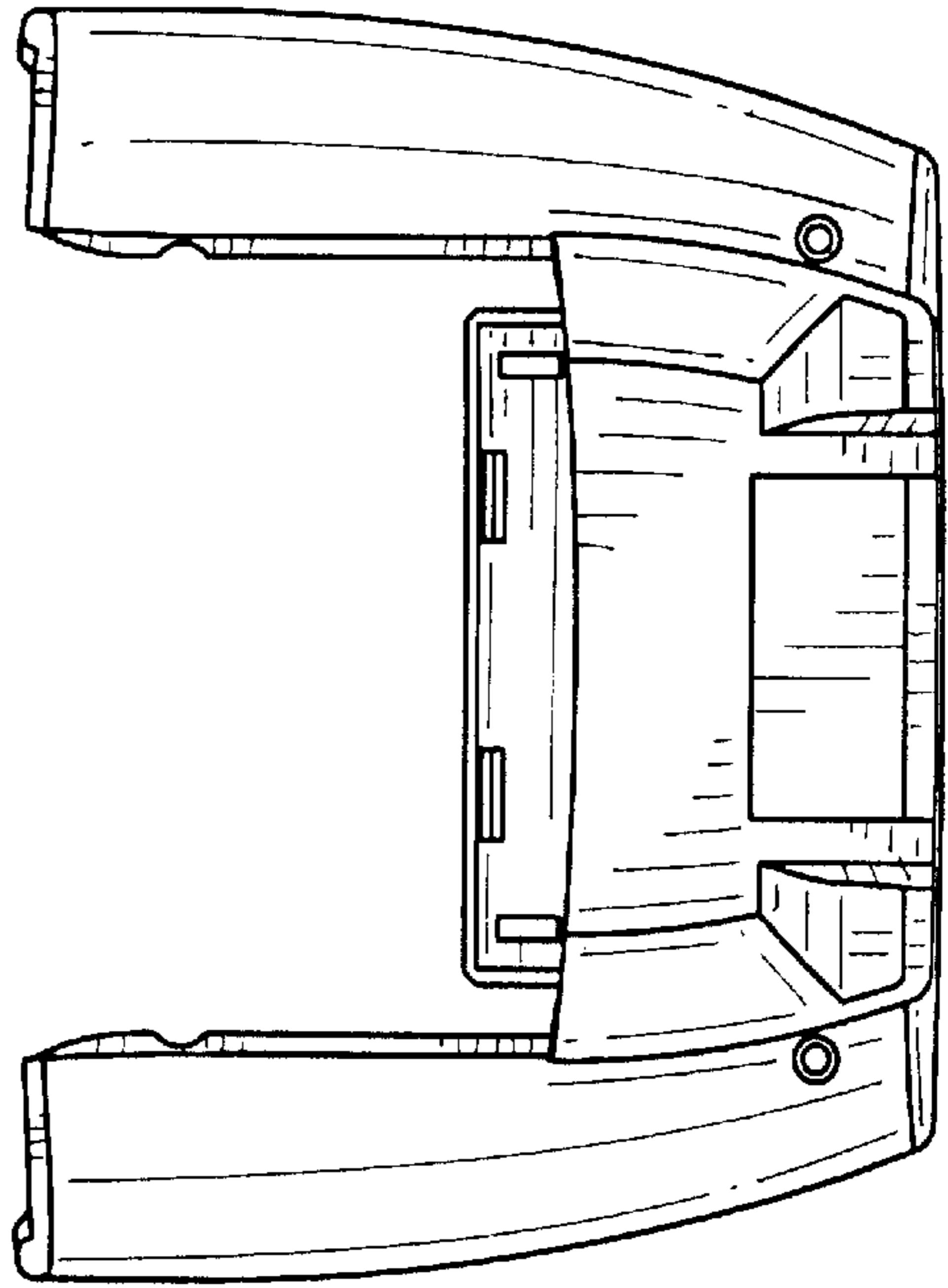


FIG. 6

