



US00D449616B1

(12) **United States Design Patent**  
**Herath**

(10) **Patent No.:** **US D449,616 S**

(45) **Date of Patent:** **\*\* Oct. 23, 2001**

(54) **PALM VII ADAPTER**

(75) **Inventor:** **Jeffrey Alan Herath**, Virginia Beach, VA (US)

(73) **Assignee:** **Vianix, LC**, Virginia Beach, VA (US)

(\*\*) **Term:** **14 Years**

(21) **Appl. No.:** **29/133,097**

(22) **Filed:** **Nov. 22, 2000**

(51) **LOC (7) Cl.** ..... **14-02**

(52) **U.S. Cl.** ..... **D14/433**

(58) **Field of Search** ..... D14/432, 433, D14/439; D13/147, 133, 146, 184; 361/683; 439/620, 633, 651, 347, 357

(56) **References Cited**

**U.S. PATENT DOCUMENTS**

- D. 308,197 \* 5/1990 Inoue ..... D14/433
- D. 317,913 \* 7/1991 Inoue ..... D14/433

- D. 348,874 \* 7/1994 Pemberton ..... D14/433
- D. 372,708 \* 8/1996 Hetherington ..... D14/433

\* cited by examiner

*Primary Examiner*—Kay H. Chin

(74) *Attorney, Agent, or Firm*—Kaufman & Canoles

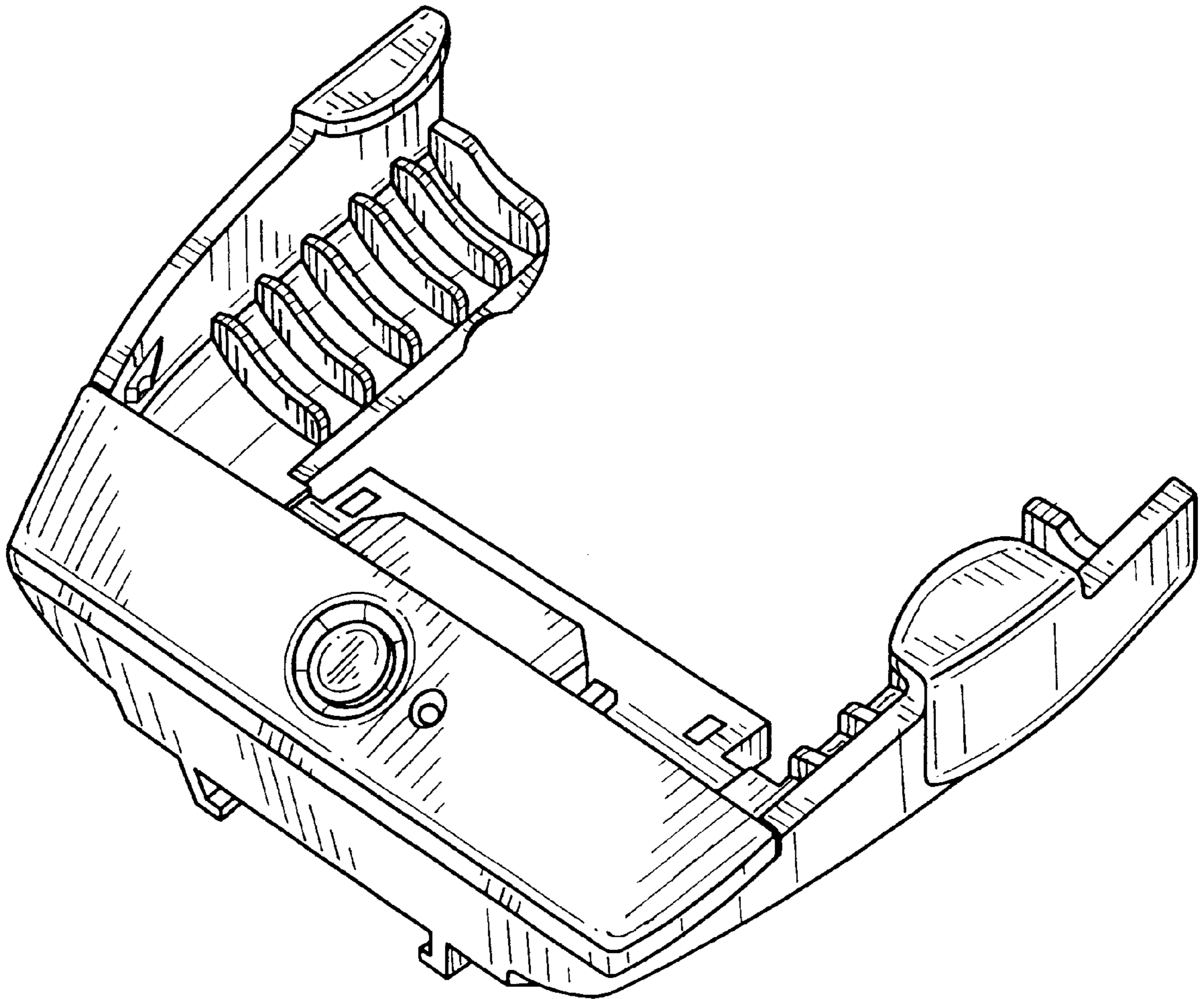
(57) **CLAIM**

The ornamental design for a palm VII adapter, as shown and described.

**DESCRIPTION**

FIG. 1 is a perspective view of a palm VII adapter;  
 FIG. 2 is a left side view thereof;  
 FIG. 3 is a top plan view thereof;  
 FIG. 4 is a front elevational view thereof;  
 FIG. 5 is a rear elevational view thereof;  
 FIG. 6 is a right side view thereof; and,  
 FIG. 7 is a bottom plan view thereof.

**1 Claim, 3 Drawing Sheets**



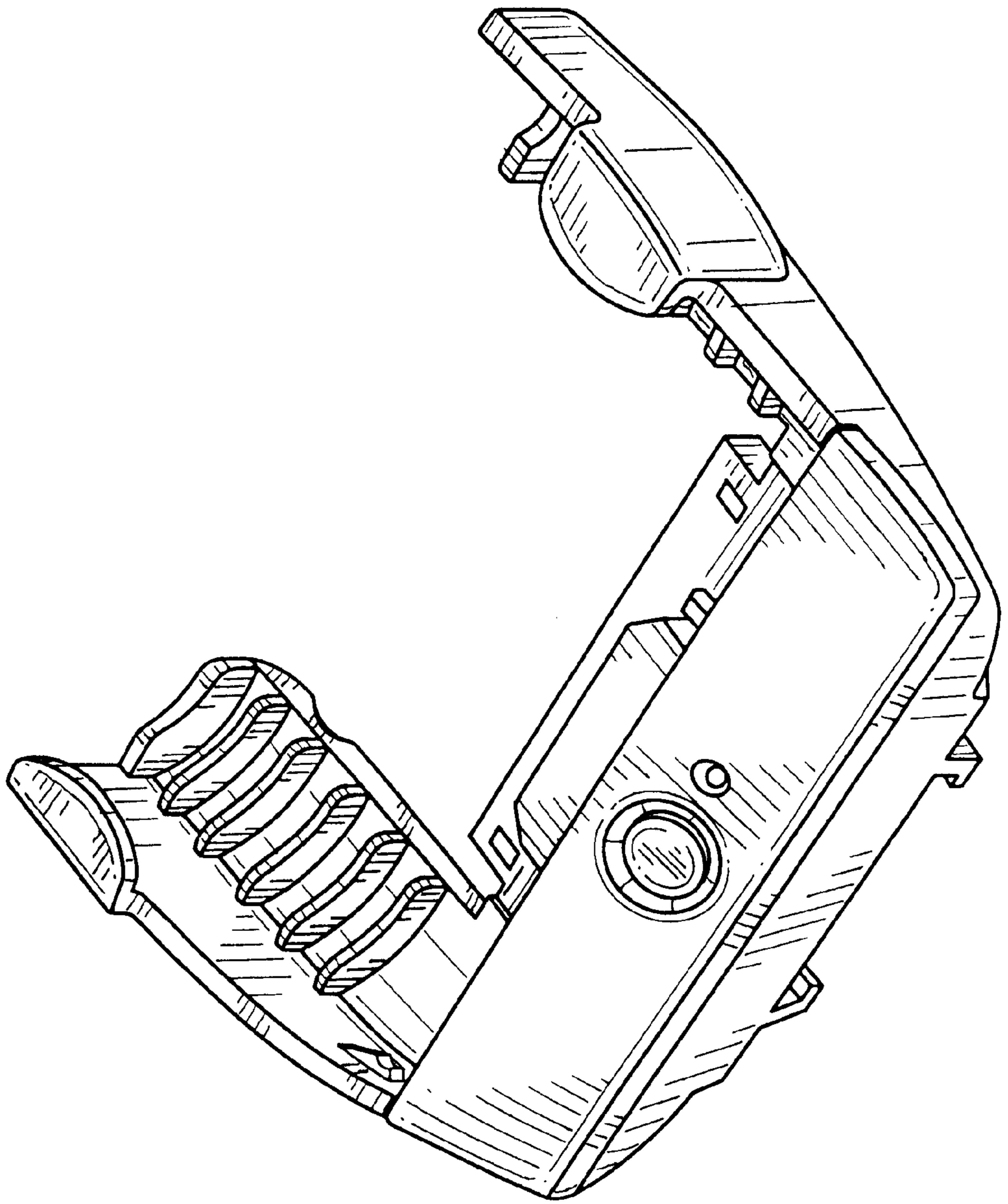


FIG. 1

FIG. 2

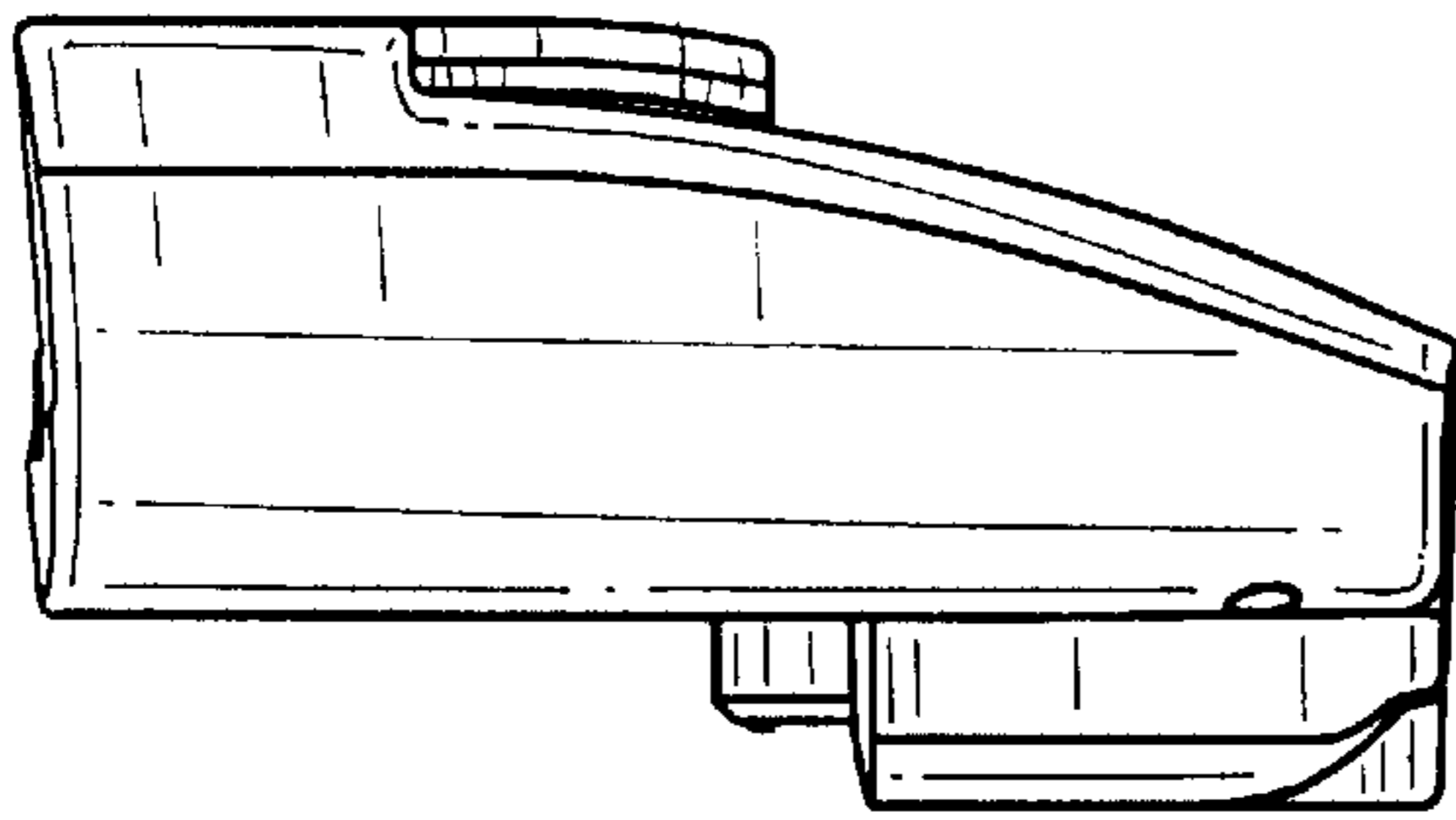


FIG. 3

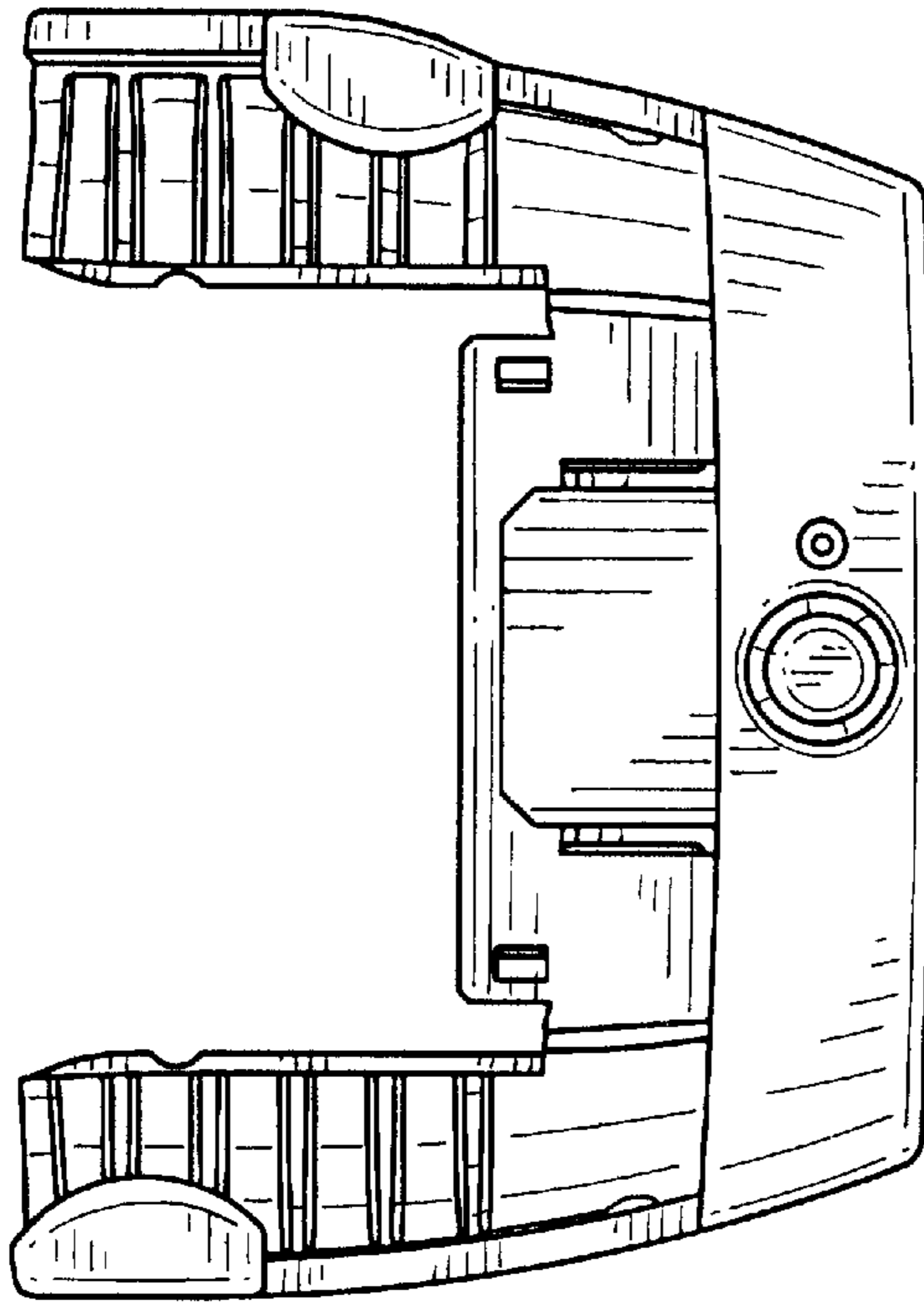


FIG. 4

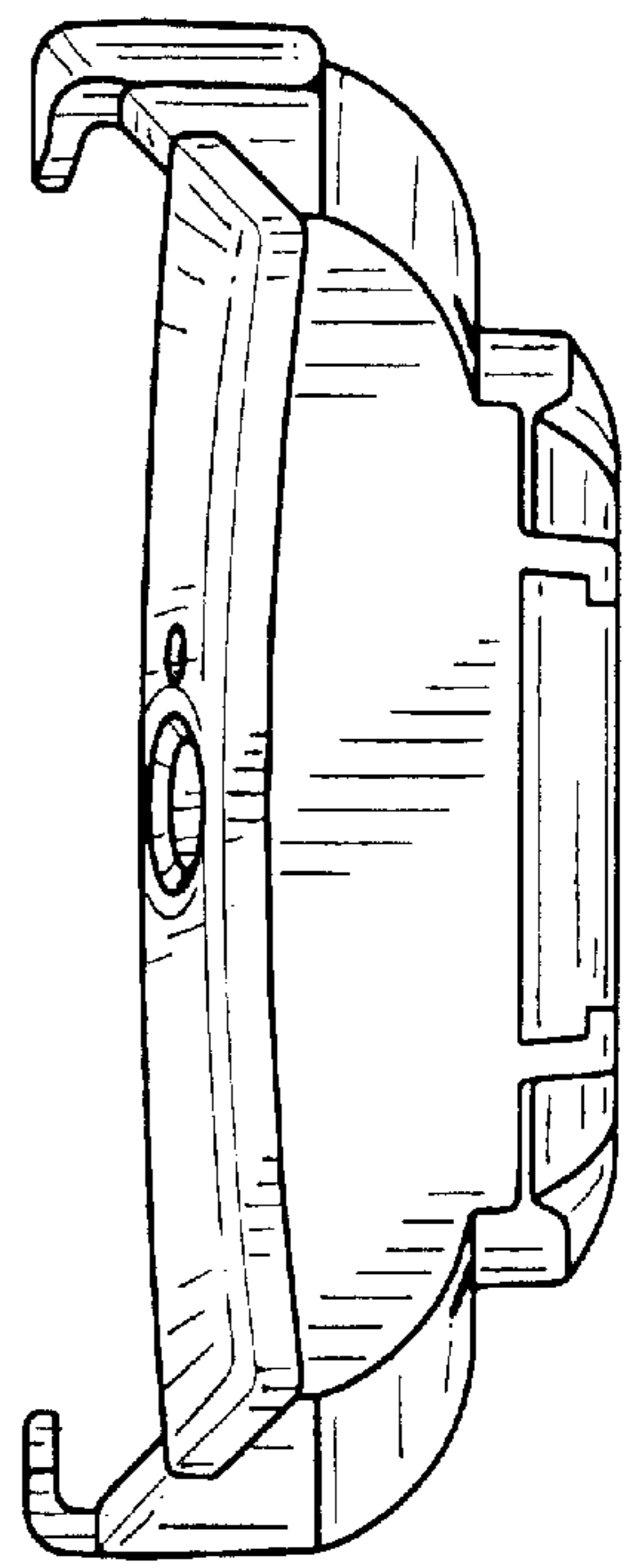


FIG. 5

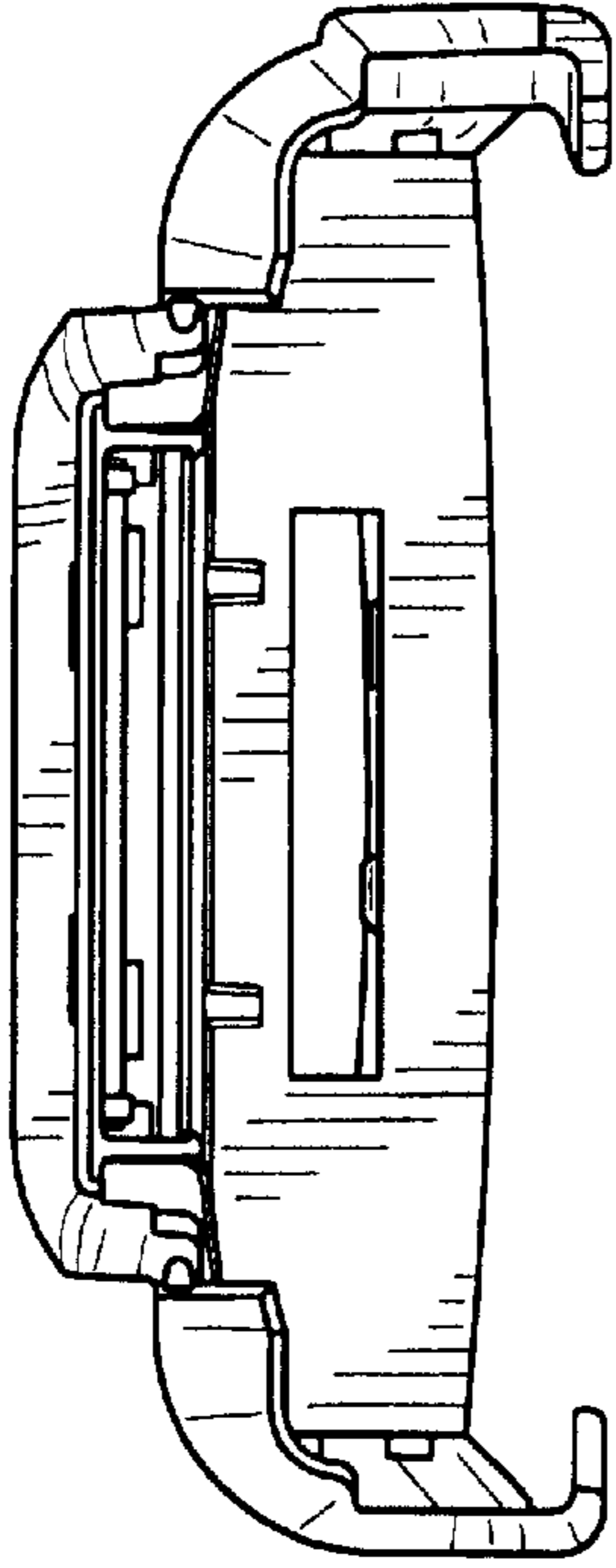


FIG. 7

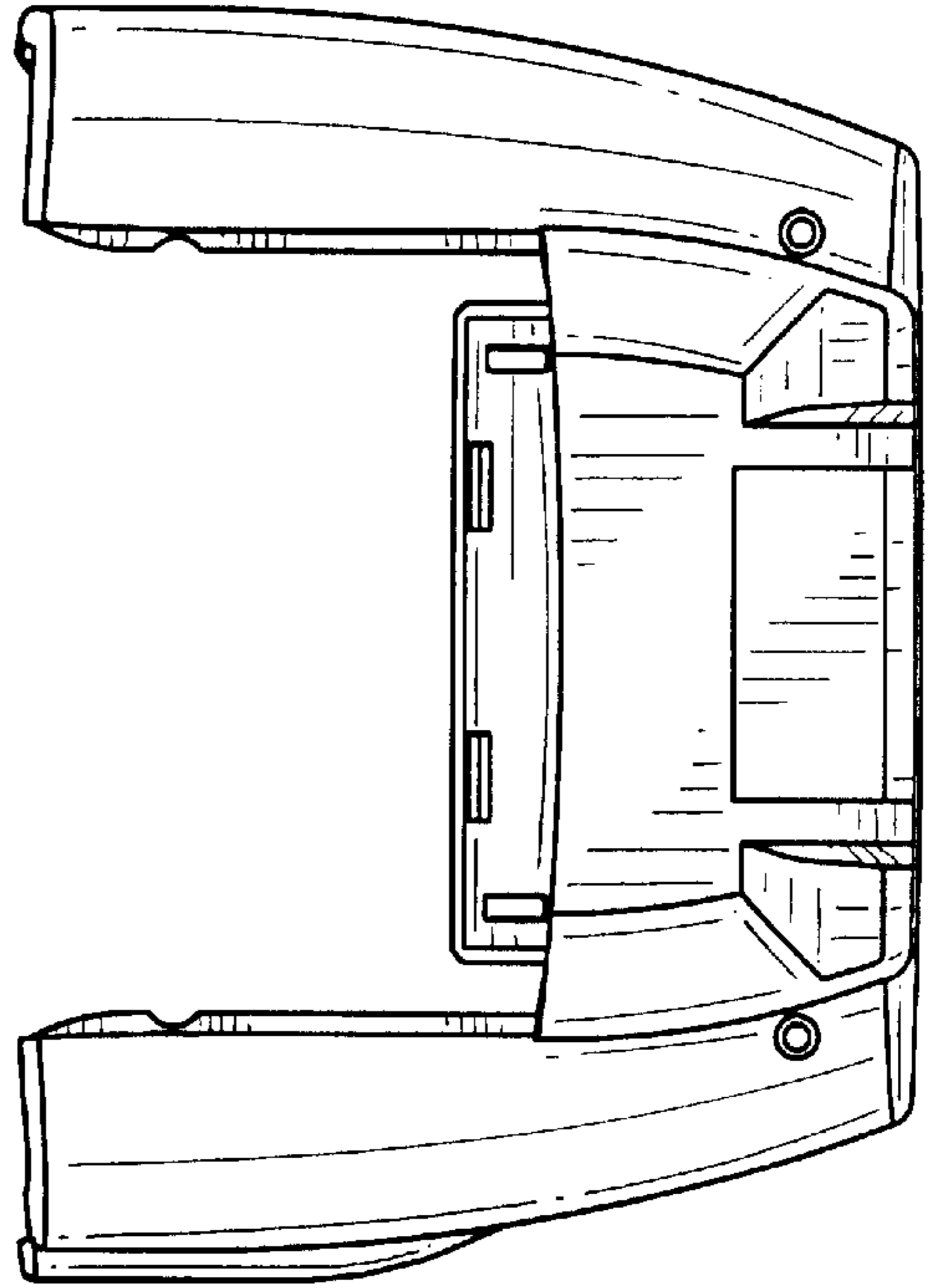


FIG. 6

