



US00D449615B1

(12) **United States Design Patent**  
**Lloyd**

(10) **Patent No.:** **US D449,615 S**

(45) **Date of Patent:** **\*\* Oct. 23, 2001**

(54) **CONNECTOR DEVICE FOR A SMART CARD**

(75) **Inventor:** **Tim Lloyd, Wokingham (GB)**

(73) **Assignee:** **Schlumberger Systemes, Montrouge Cedex (FR)**

(\*\*) **Term:** **14 Years**

(21) **Appl. No.:** **29/123,029**

(22) **Filed:** **May 9, 2000**

(30) **Foreign Application Priority Data**

Nov. 9, 1999 (GB) ..... 2088003

(51) **LOC (7) Cl.** ..... **14-02**

(52) **U.S. Cl.** ..... **D14/433**

(58) **Field of Search** ..... D14/432-8; D13/147;  
439/260, 325; 361/686, 730, 736, 679,  
728

(56) **References Cited**

**U.S. PATENT DOCUMENTS**

D. 297,543 \* 9/1988 Aoyama .

D. 408,384 \* 4/1999 Hata et al. .

D. 420,647 \* 2/2000 Chang .

D. 434,417 \* 11/2000 Lin .

5,470,260 \* 11/1995 Schwan et al. .

6,152,754 \* 11/2000 Gerhardt et al. .

\* cited by examiner

*Primary Examiner*—M. H. Tung

(74) *Attorney, Agent, or Firm*—Flynn, Thiel, Boutell & Tanis, P.C.

(57) **CLAIM**

The ornamental design for a connector device for a smart card, as shown and described.

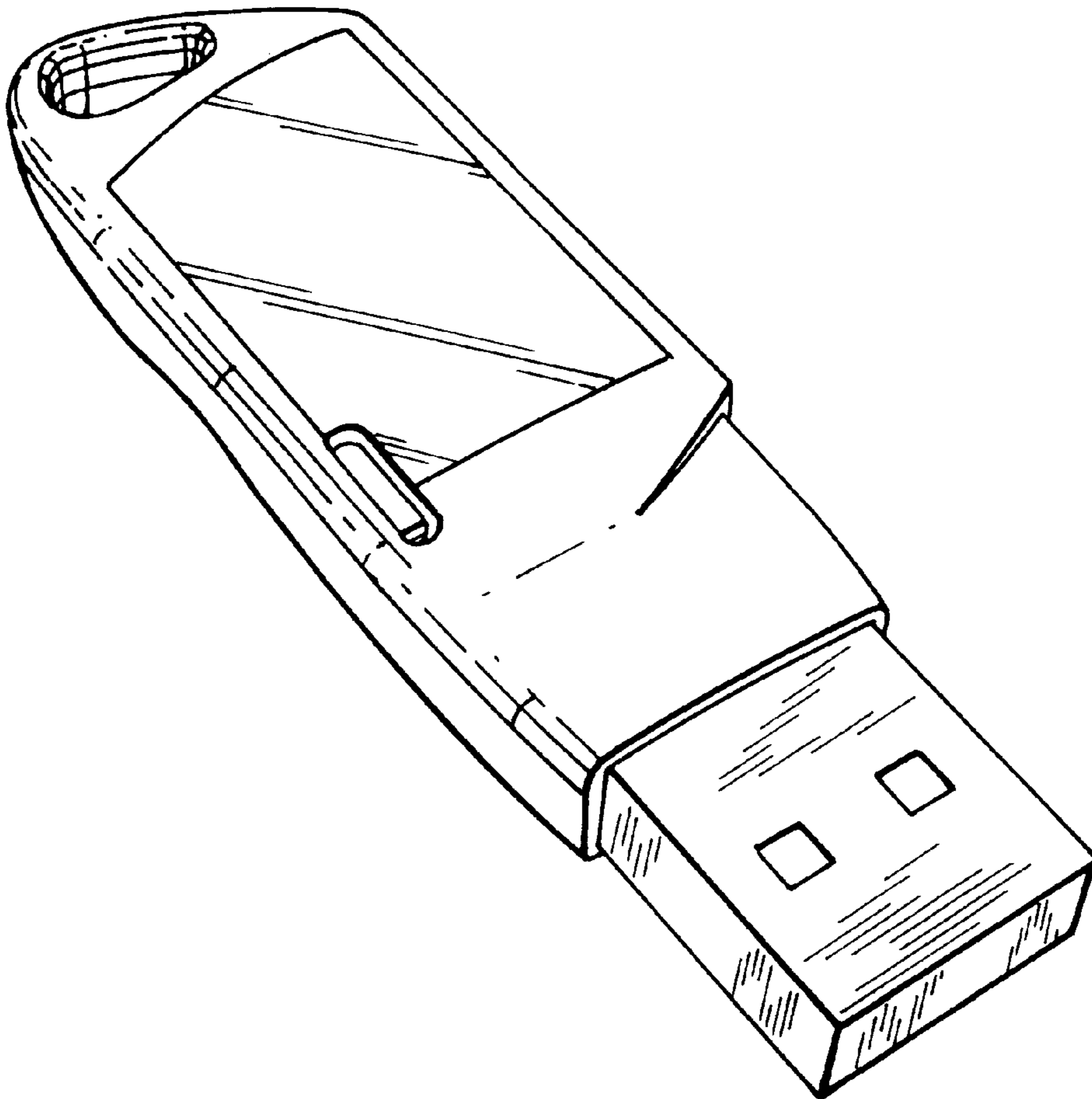
**DESCRIPTION**

FIG. 1 is a front perspective view of the connector device for a smart card embodying my design as taken from a top right corner thereof;

FIG. 2 is a rear perspective view thereof taken from a bottom left corner; and,

FIG. 3 is a rear perspective view thereof taken from a top left corner.

**1 Claim, 2 Drawing Sheets**



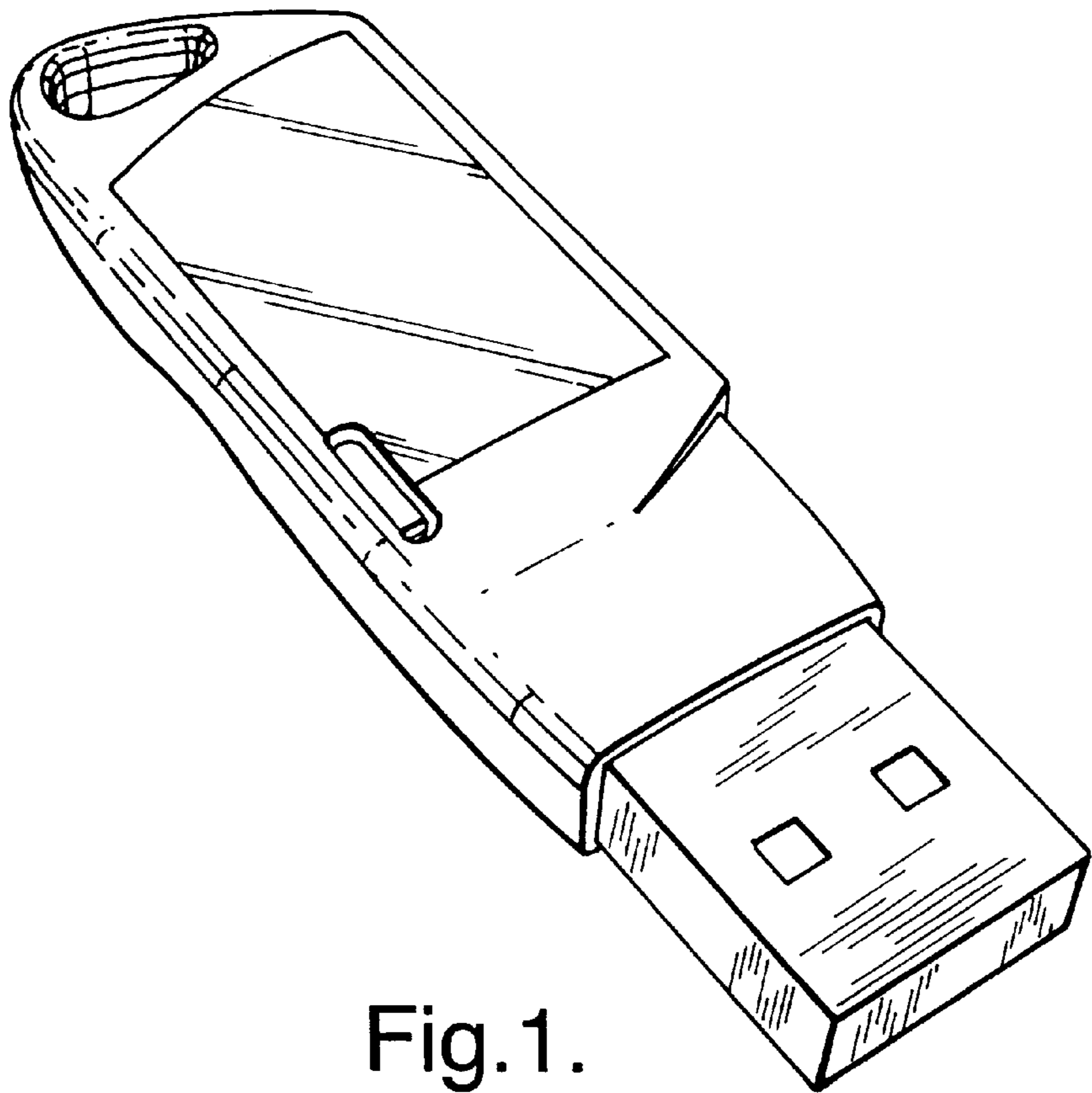


Fig.1.

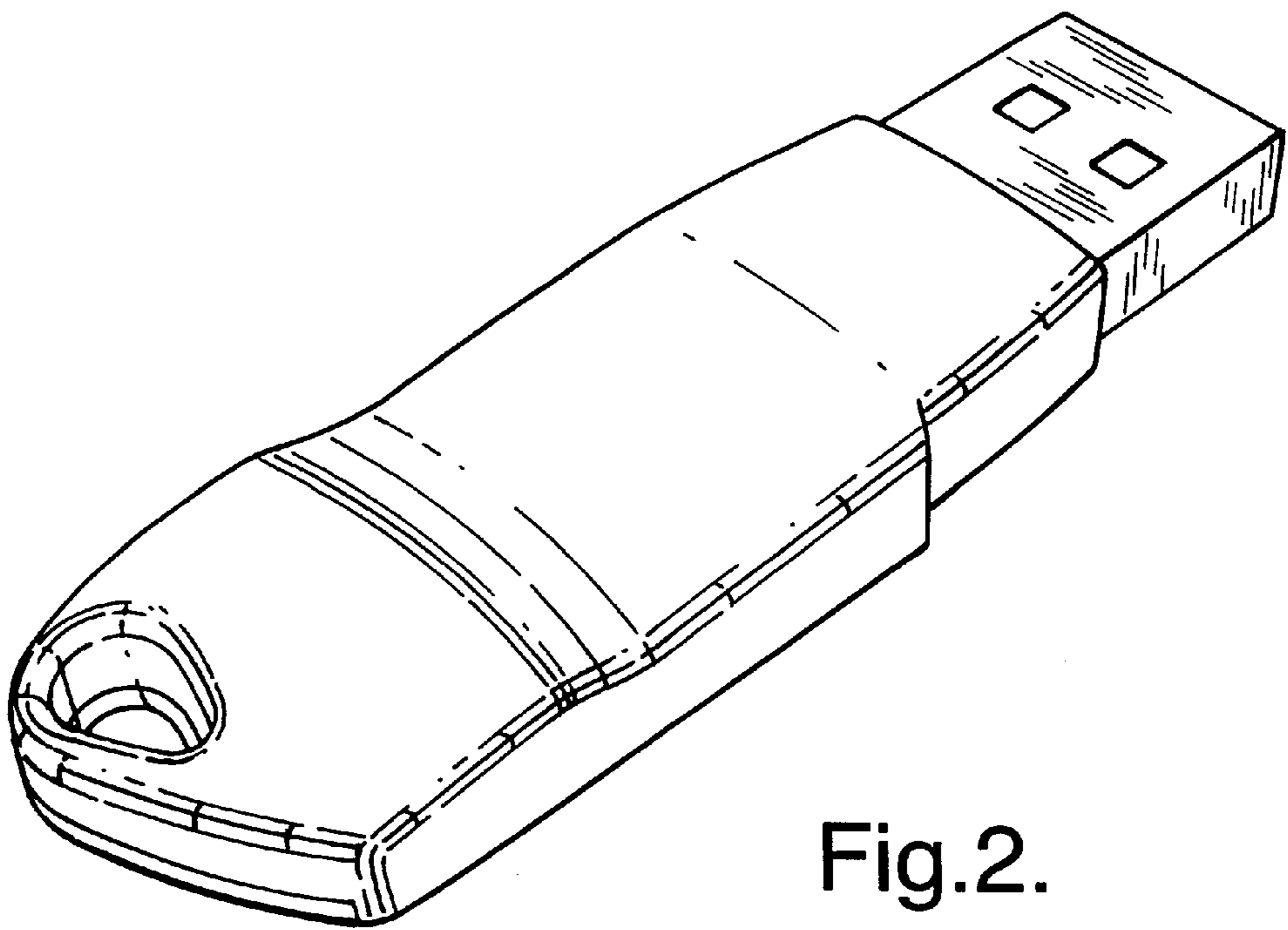


Fig.2.

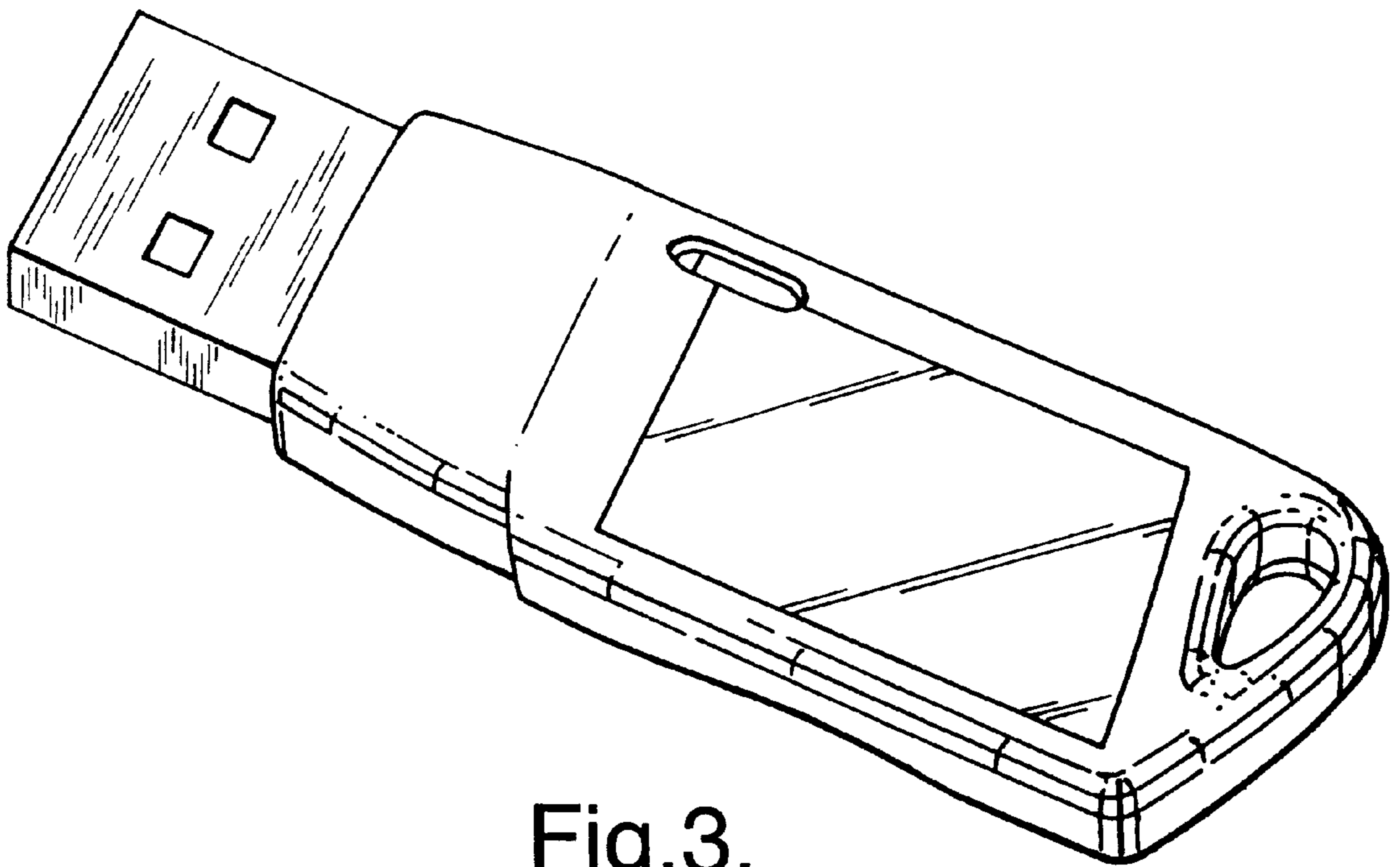


Fig.3.