



US00D449613B1

(12) **United States Design Patent**
Matsuoka

(10) **Patent No.:** **US D449,613 S**

(45) **Date of Patent:** **** Oct. 23, 2001**

(54) **KEYBOARD**

(75) Inventor: **Shoichiro Matsuoka, Tokyo (JP)**

(73) Assignee: **Sony Corporation, Tokyo (JP)**

(**) Term: **14 Years**

(21) Appl. No.: **29/126,520**

(22) Filed: **Jul. 13, 2000**

(51) **LOC (7) Cl.** **14-02**

(52) **U.S. Cl.** **D14/396**

(58) **Field of Search** D14/391-394,
D14/396, 397, 398; D18/1, 2, 7; 178/17 A,
17 C; 200/5 A, 5 R, 6 A, 6 R; 235/145 A,
145 R; 345/168; 341/22, 23; 364/708.1;
400/472, 479, 484-486, 488, 489, 492

(56) **References Cited**

U.S. PATENT DOCUMENTS

- D. 369,594 * 5/1996 Vossoughi D14/397
- D. 410,454 * 6/1999 Chen D14/398

- D. 438,868 * 3/2001 Oba D14/455
- D. 439,902 * 4/2001 Oba D14/392

* cited by examiner

Primary Examiner—Freda Nunn

(74) *Attorney, Agent, or Firm*—Rader, Fishman & Grauer, PLLC

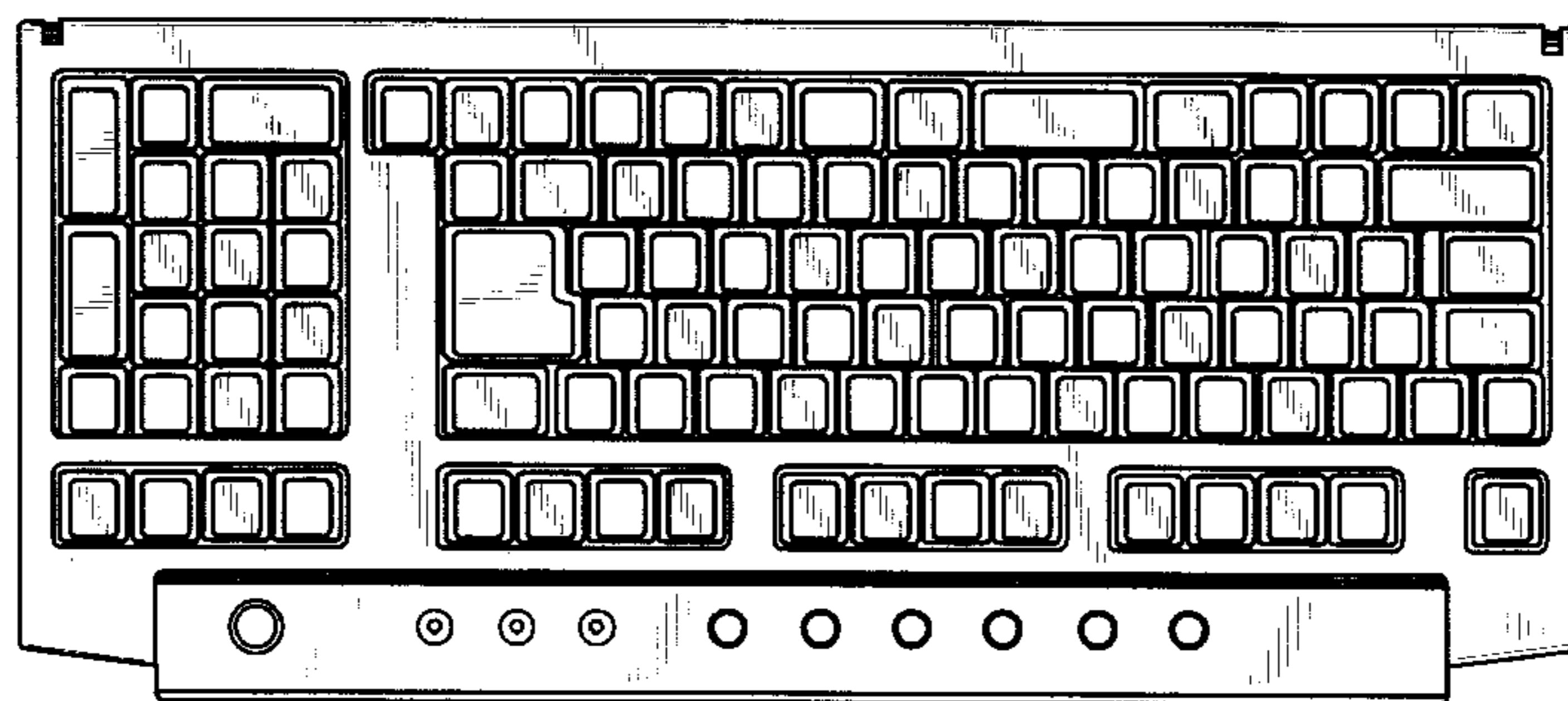
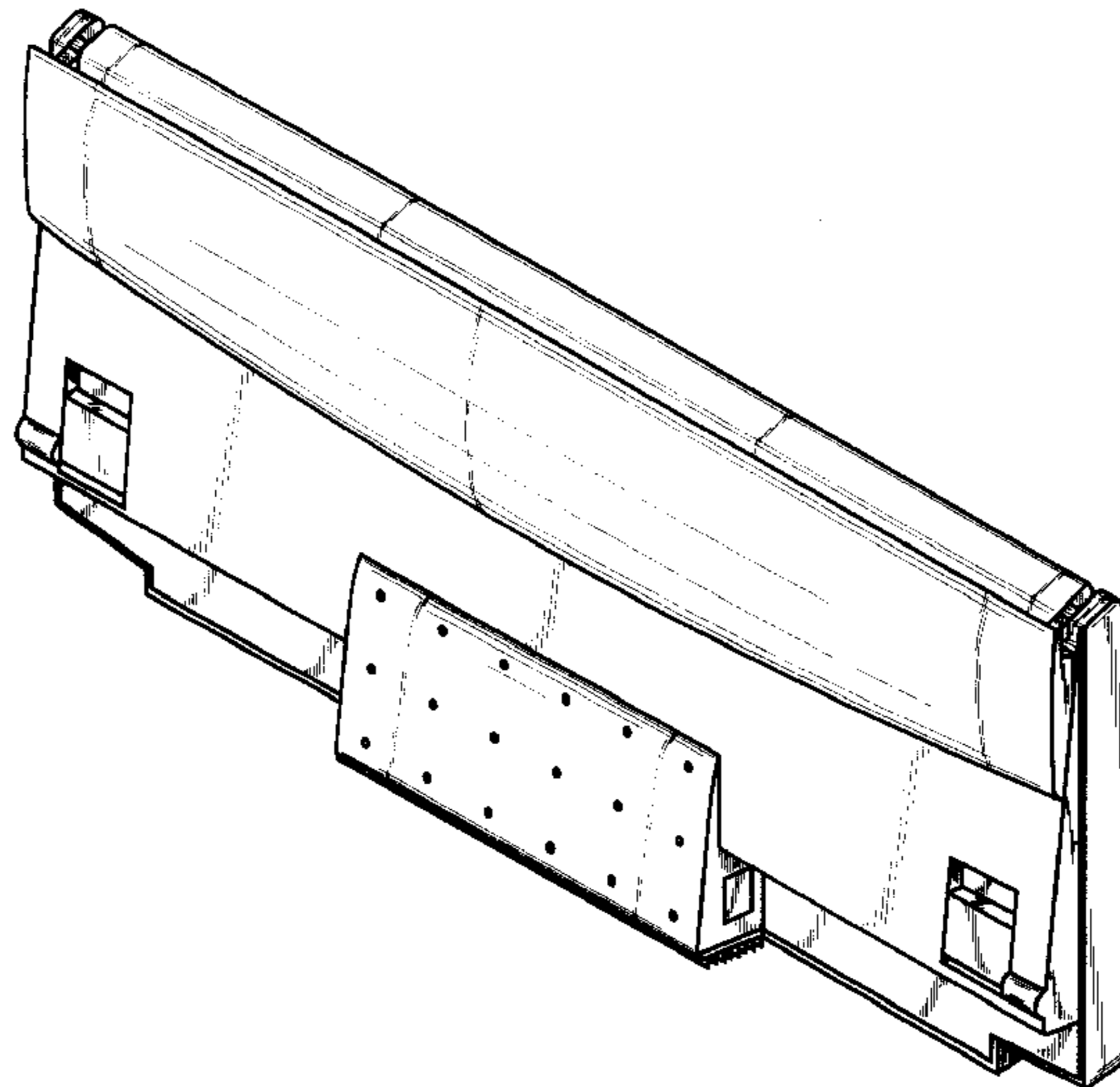
(57) **CLAIM**

The ornamental design for a keyboard, as shown and described.

DESCRIPTION

FIG. 1 is a perspective view of a keyboard showing my new design;
 FIG. 2 is a bottom plan view thereof;
 FIG. 3 is a top plan view thereof;
 FIG. 4 is a front elevational view thereof;
 FIG. 5 is a rear elevational view thereof;
 FIG. 6 is a left side elevational view thereof; and,
 FIG. 7 is a right side elevational view thereof.

1 Claim, 4 Drawing Sheets



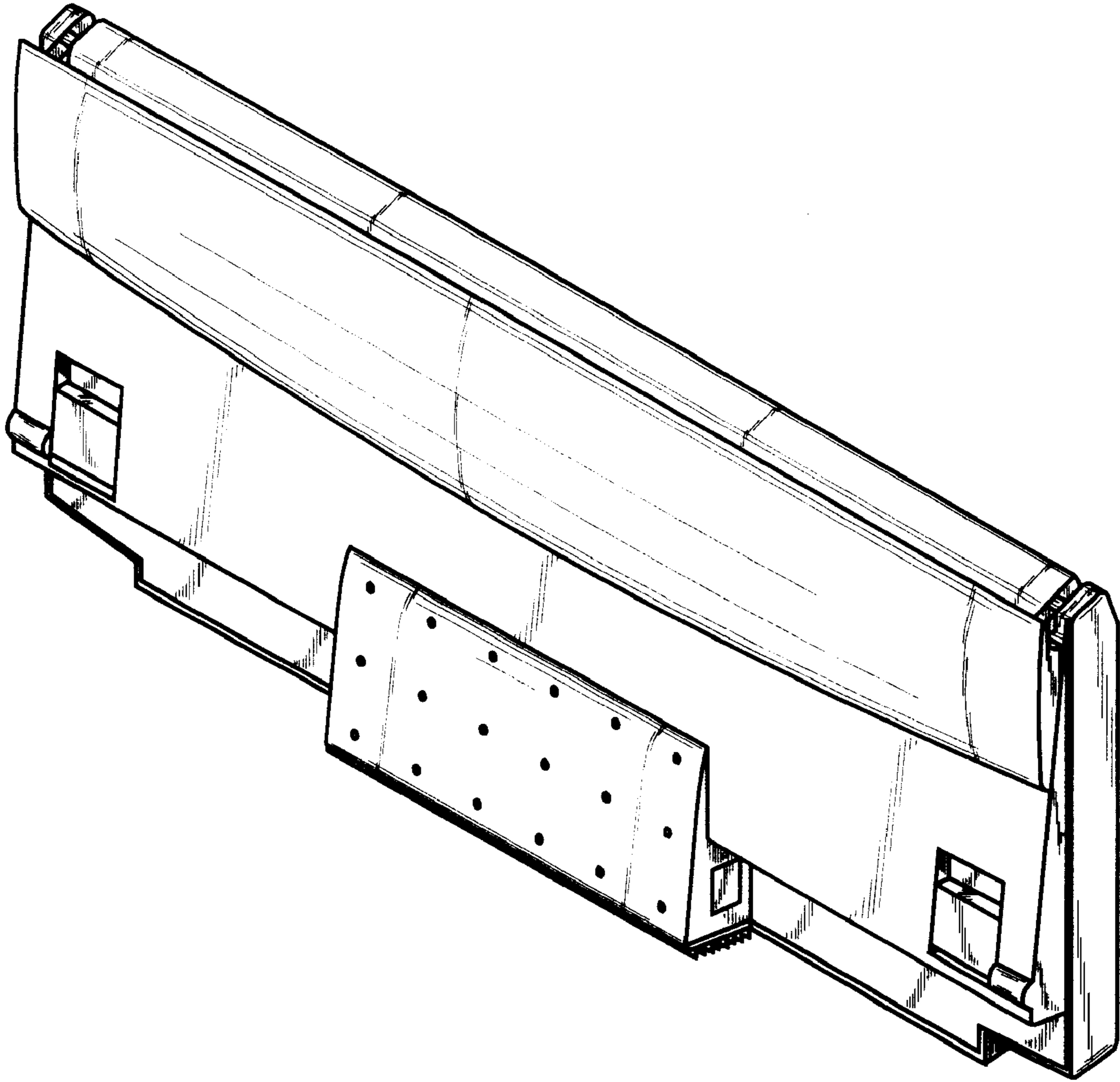


Fig. 1

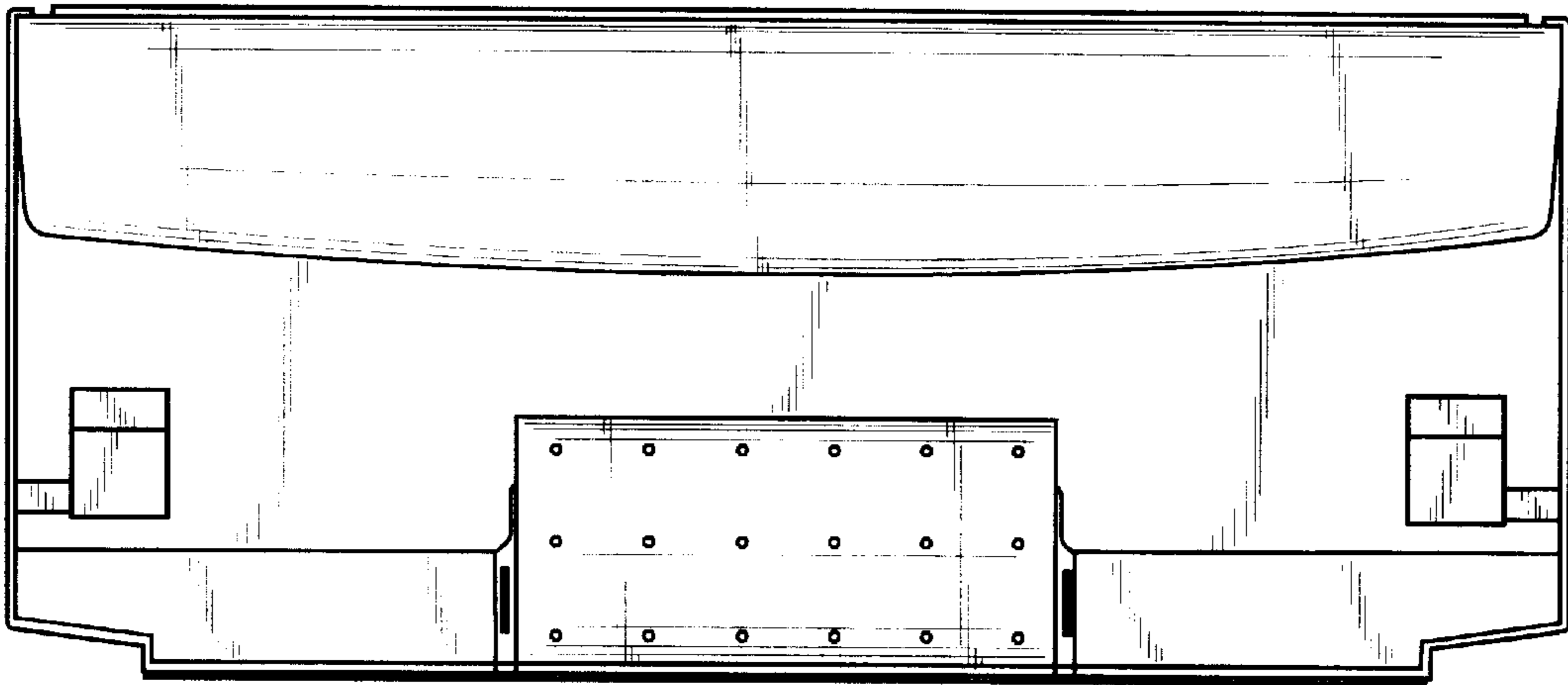


Fig. 2

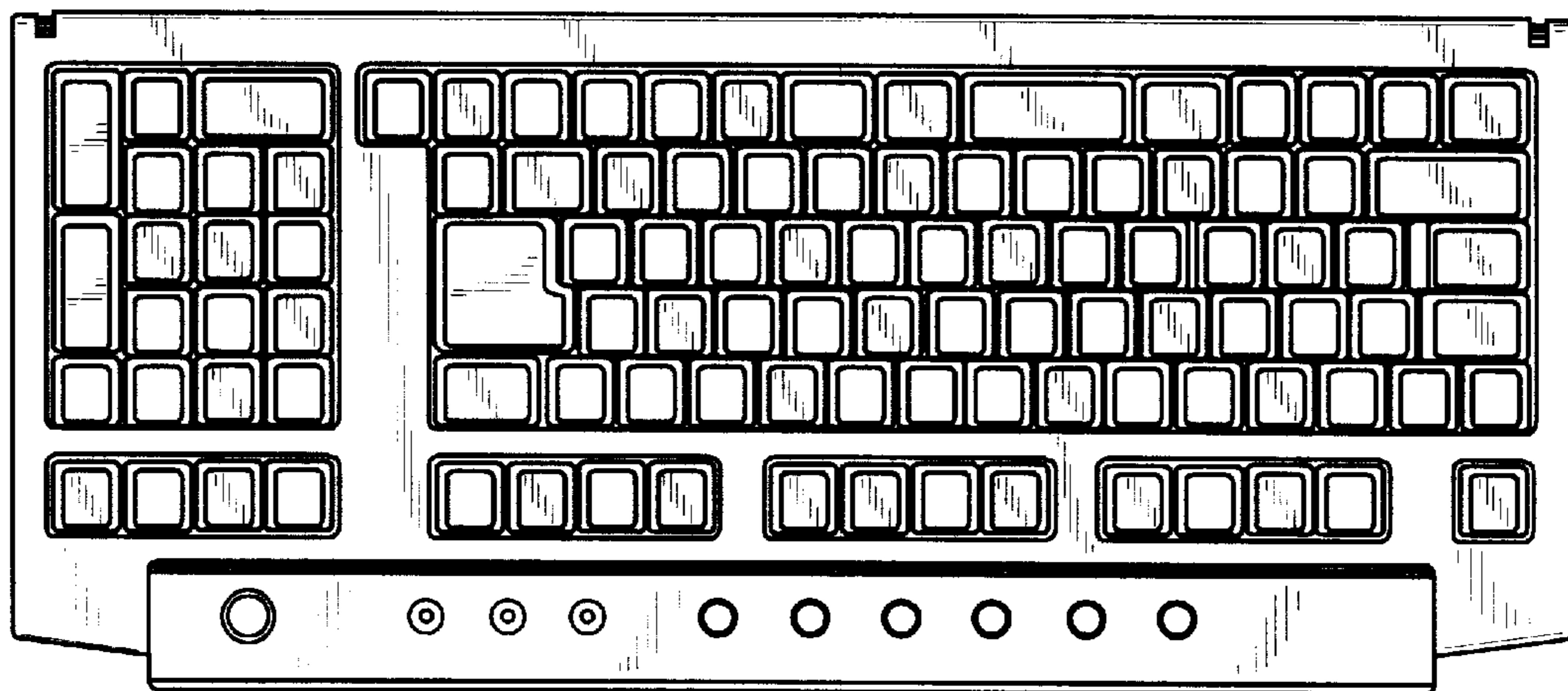


Fig. 3

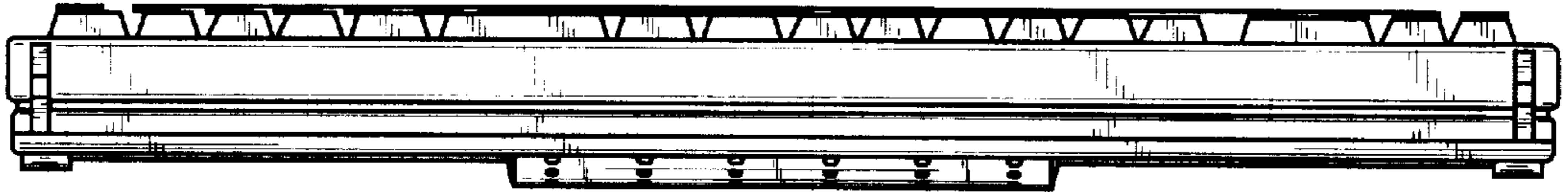


Fig. 4



Fig. 5

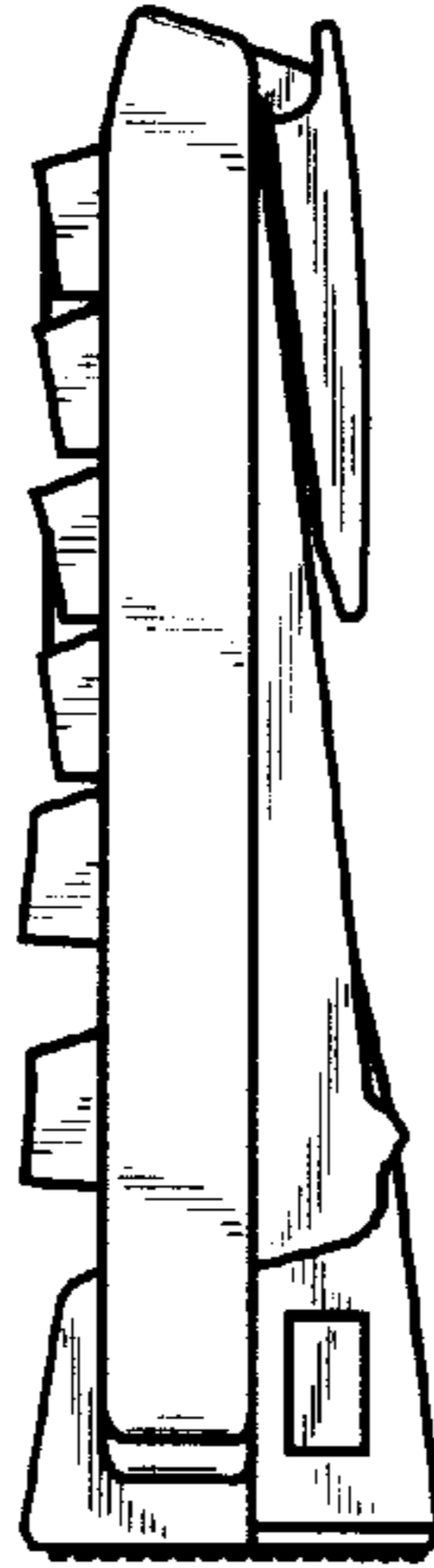


Fig. 6

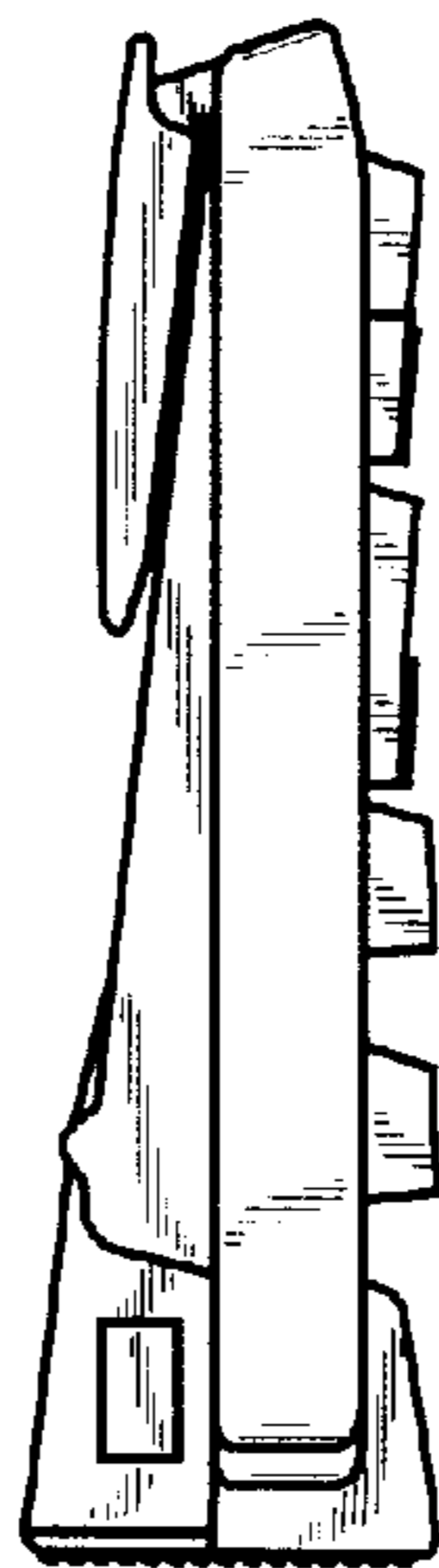


Fig. 7