



US00D449610B1

(12) **United States Design Patent**
Chen

(10) **Patent No.:** **US D449,610 S**

(45) **Date of Patent:** **** Oct. 23, 2001**

(54) **LCD DISPLAY**

D. 416,006 * 11/1999 Park D14/374
D. 416,549 * 11/1999 Coster et al. D14/375

(75) Inventor: **Fuley Chen**, Taipei (TW)

* cited by examiner

(73) Assignee: **Keynote Optical Technology Corp.**,
Taipei (TW)

Primary Examiner—Freda Nunn

(74) *Attorney, Agent, or Firm*—Rabin & Berdo, P.C.

(**) Term: **14 Years**

(57) **CLAIM**

(21) Appl. No.: **29/133,694**

The ornamental design for a LCD display, as shown and described.

(22) Filed: **Dec. 11, 2000**

(51) **LOC (7) Cl.** **14-02**

(52) **U.S. Cl.** **D14/374**

(58) **Field of Search** D14/371, 374,
D14/375, 377, 379, 126-129; 341/12; 345/104,
133, 156, 168, 173, 87, 901-905; 348/180,
184, 325, 739; 349/1, 2, 11, 62; 248/917-924

DESCRIPTION

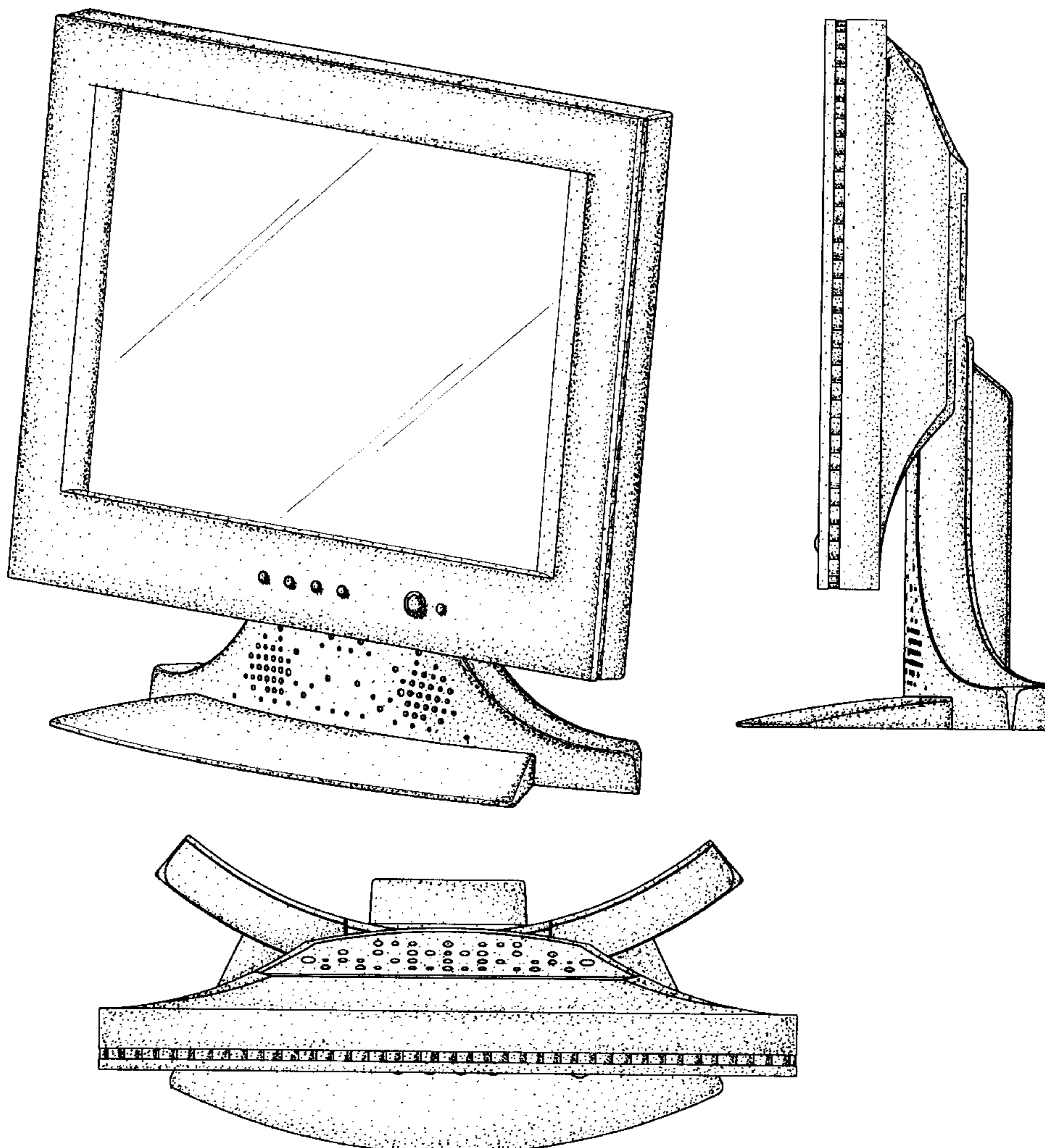
(56) **References Cited**

FIG. 1 is a perspective view of a LCD display, showing our new design;
FIG. 2 is right side elevational view thereof;
FIG. 3 is a top view thereof;
FIG. 4 is front view thereof;
FIG. 5 is a bottom view thereof;
FIG. 6 is a left side elevational view thereof; and,
FIG. 7 is a rear view thereof.

U.S. PATENT DOCUMENTS

D. 394,048 * 5/1998 Lee D14/375

1 Claim, 7 Drawing Sheets



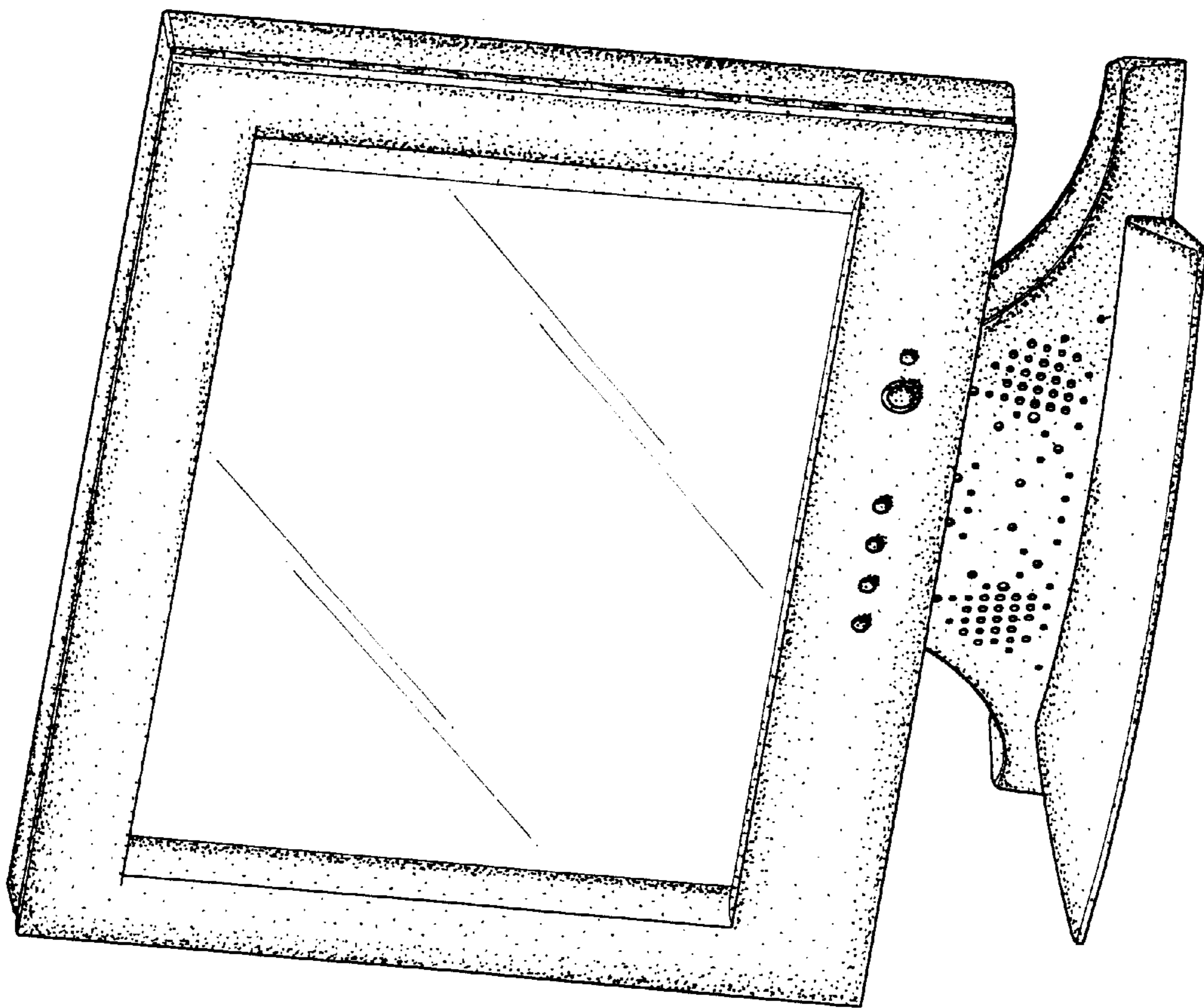


FIG. 1

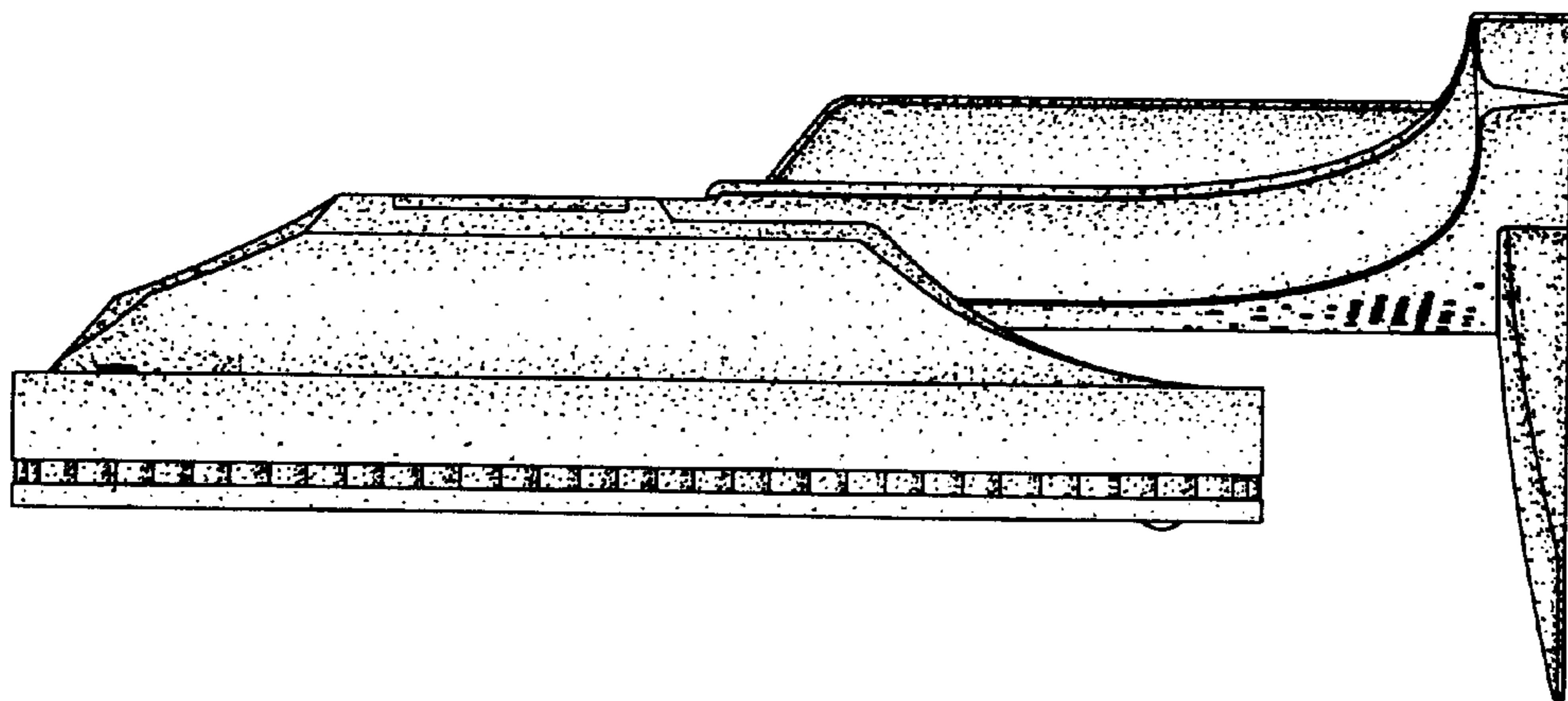


FIG. 2

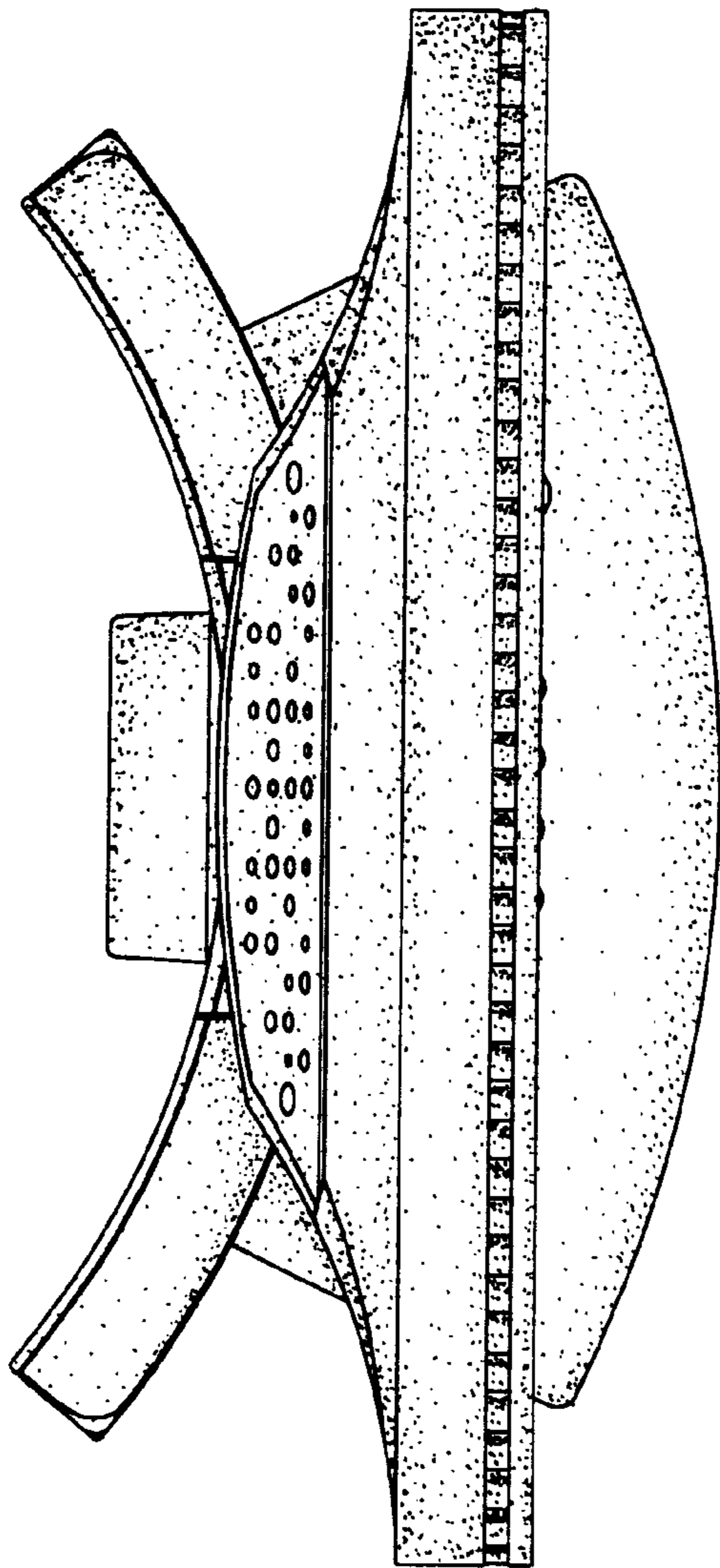


FIG. 3

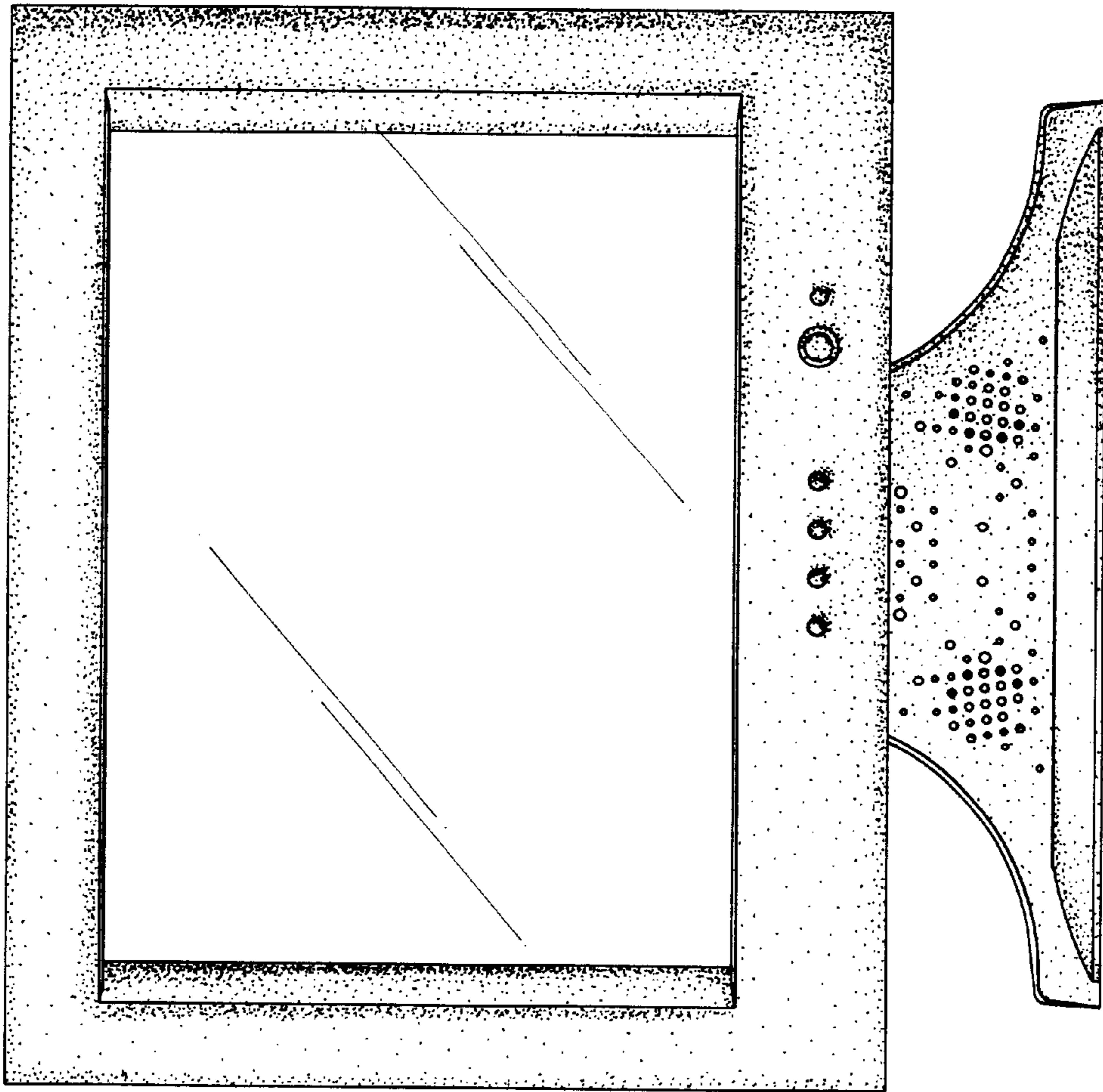


FIG. 4

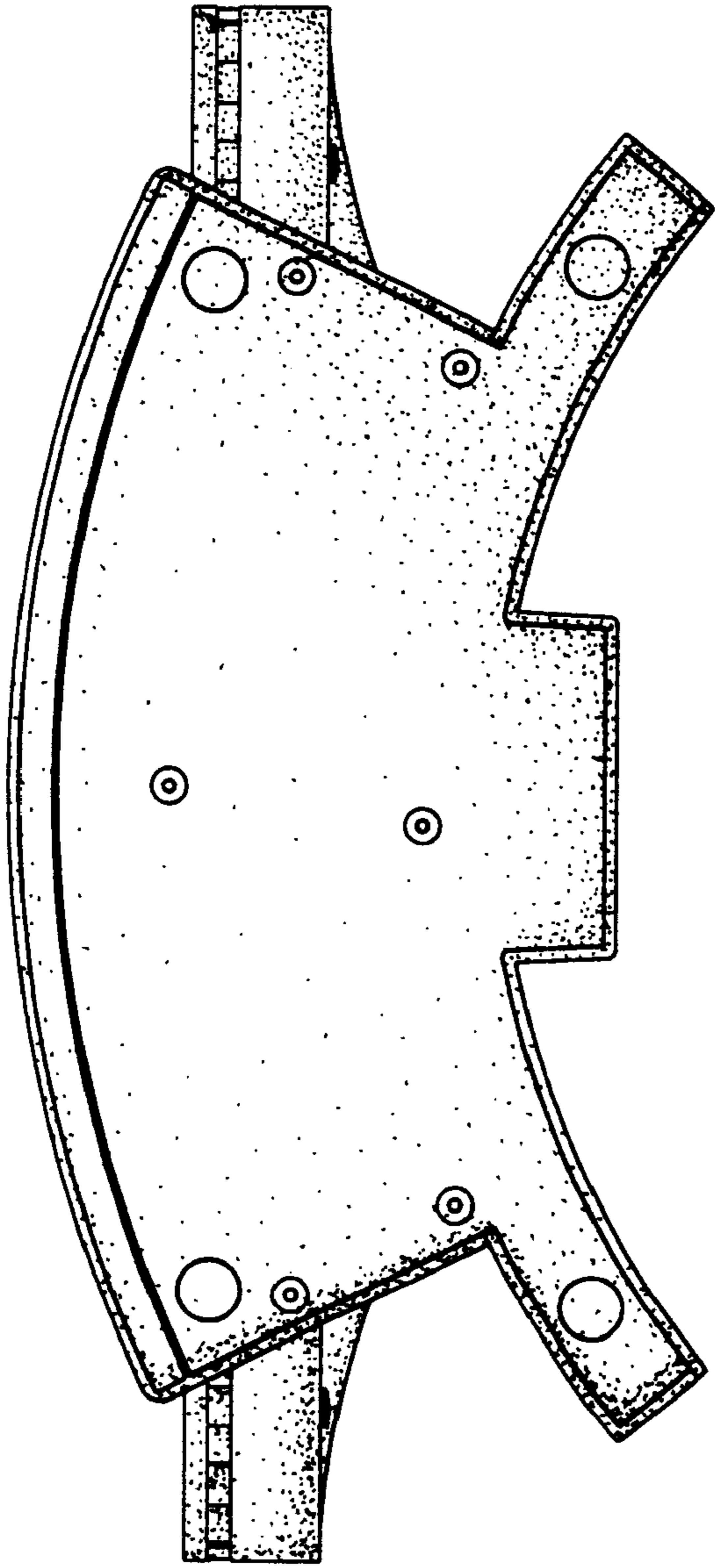


FIG. 5

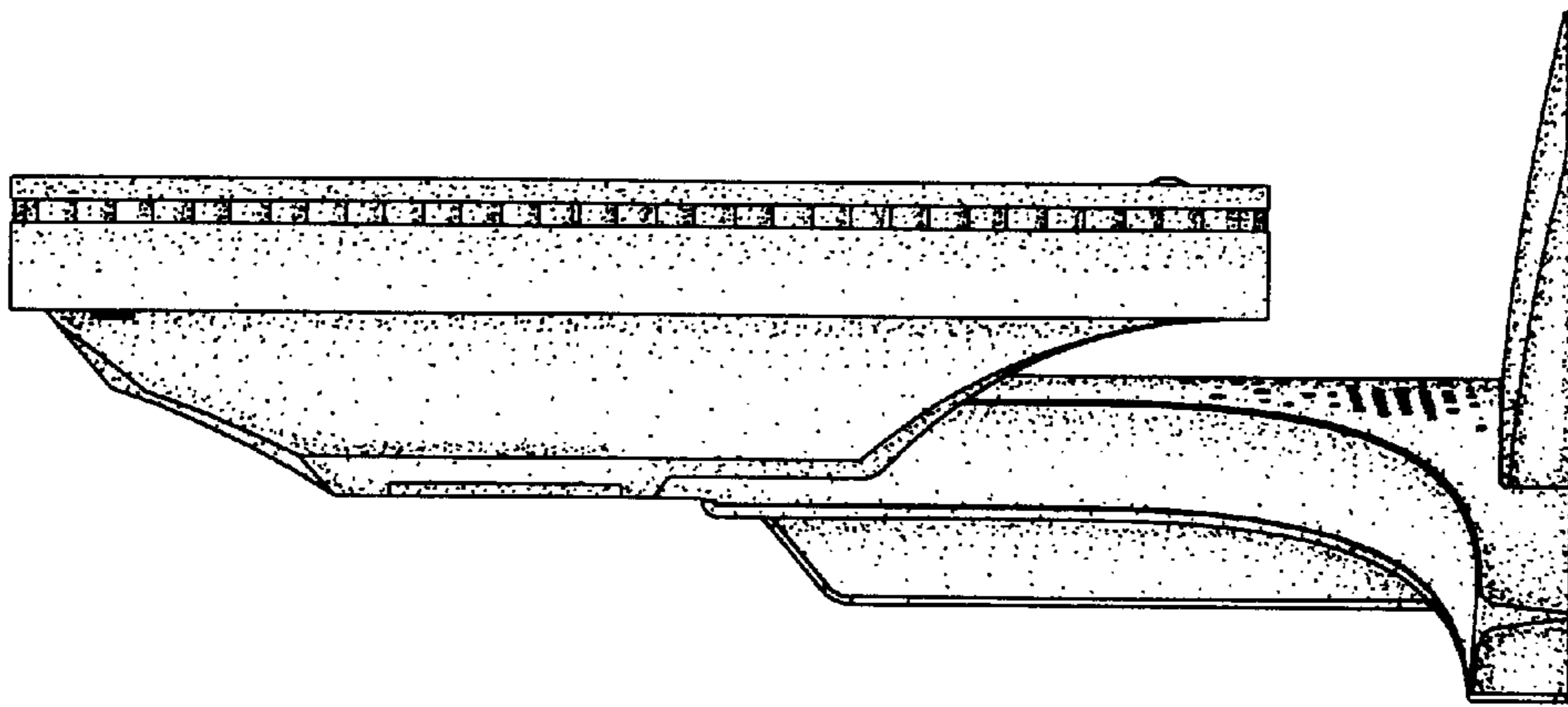


FIG. 6

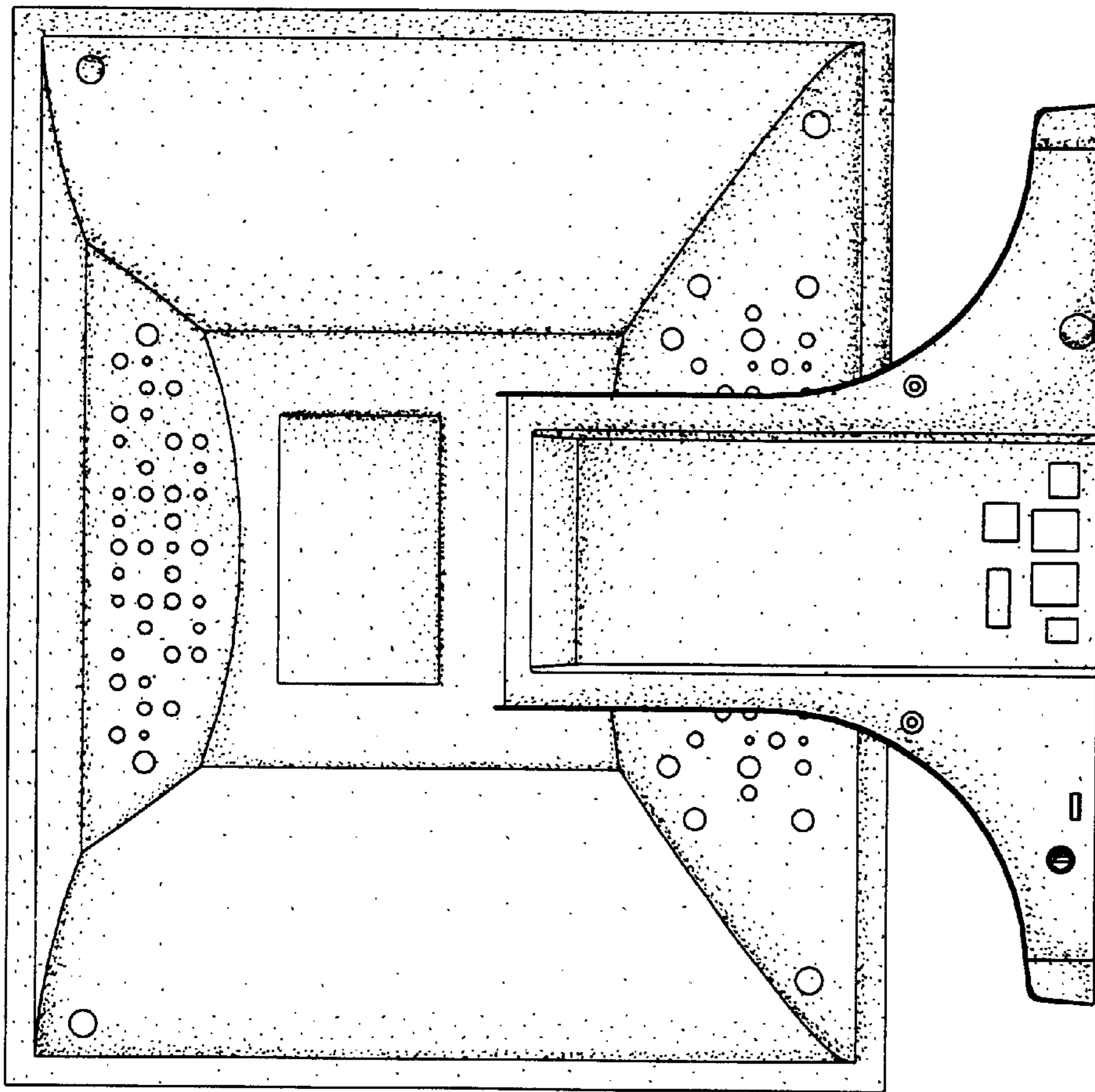


FIG. 7