



US00D449609B1

(12) **United States Design Patent**
Jung

(10) **Patent No.:** **US D449,609 S**

(45) **Date of Patent:** **** Oct. 23, 2001**

(54) **MONITOR**

(75) Inventor: **Seok Young Jung**, Seoul (KR)

(73) Assignee: **LG Electronics Inc.**, Seoul (KR)

(**) Term: **14 Years**

(21) Appl. No.: **29/124,433**

(22) Filed: **Jun. 6, 2000**

(30) **Foreign Application Priority Data**

Dec. 6, 1999 (KR) 99-29409

(51) **LOC (7) Cl.** **14-02**

(52) **U.S. Cl.** **D14/374**

(58) **Field of Search** D14/371, 373-376,
D14/125, 129; 248/918-924; 345/104, 133,
156, 168, 173; 348/180, 184, 325, 739;
349/1, 2, 11, 62

(56) **References Cited**

U.S. PATENT DOCUMENTS

D. 247,748 * 4/1978 Ebner et al. D14/376

D. 395,041 * 6/1998 Leveridge et al. D14/373
D. 413,594 * 9/1999 Renk D14/126

* cited by examiner

Primary Examiner—Freda Nunn

(57) **CLAIM**

The ornamental design for a monitor, as shown and described.

DESCRIPTION

FIG. 1 is a perspective view of a monitor showing the new design;

FIG. 2 is a front view of the monitor of FIG. 1;

FIG. 3 is a rear view of the monitor of FIG. 1;

FIG. 4 is a left side view of the monitor of FIG. 1;

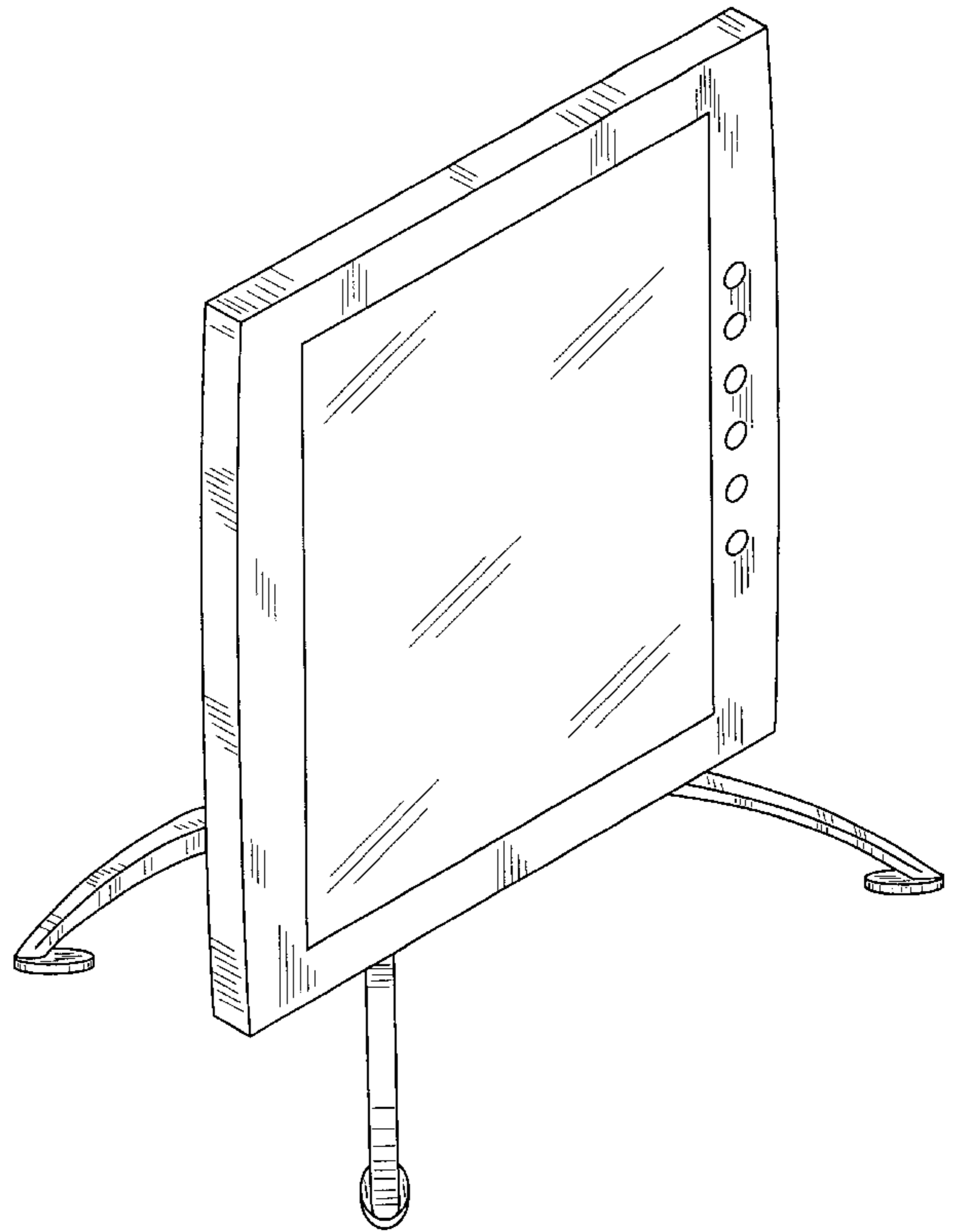
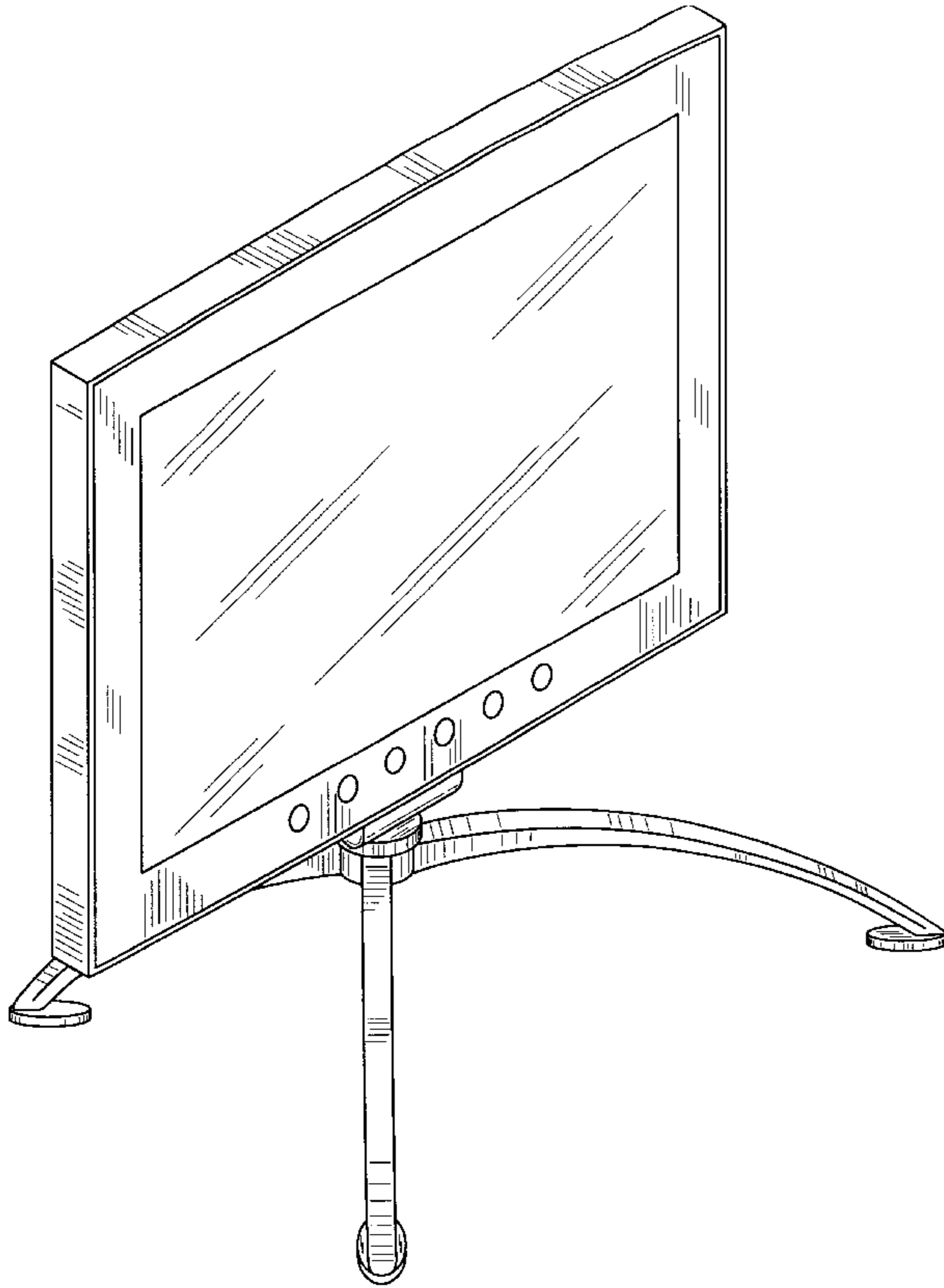
FIG. 5 is a right side view of the monitor of FIG. 1;

FIG. 6 is a top view of the monitor of FIG. 1;

FIG. 7 is a bottom view of the monitor of FIG. 1; and,

FIG. 8 is a perspective view of the monitor of FIG. 1 which has been rotated 90°.

1 Claim, 6 Drawing Sheets



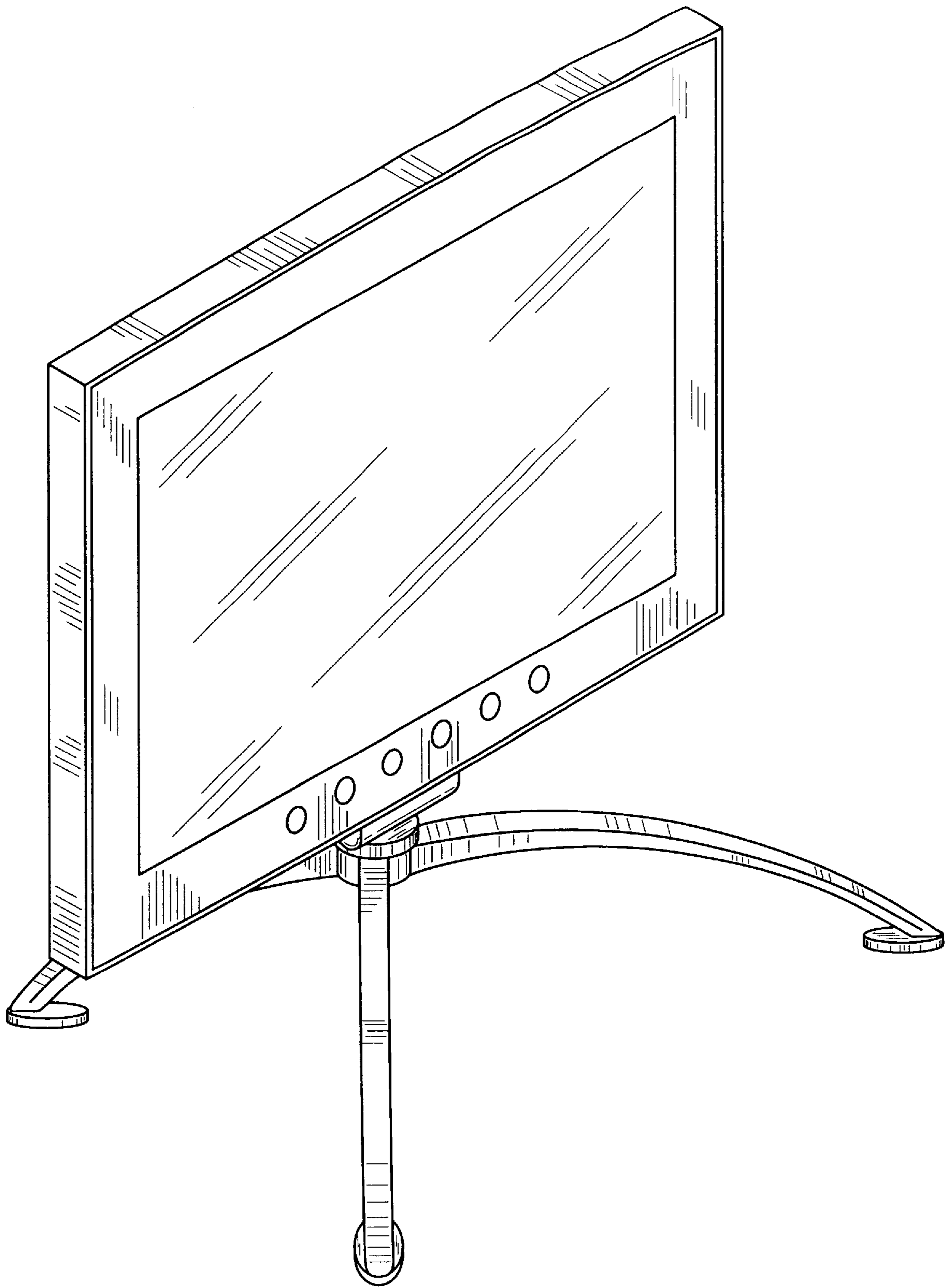
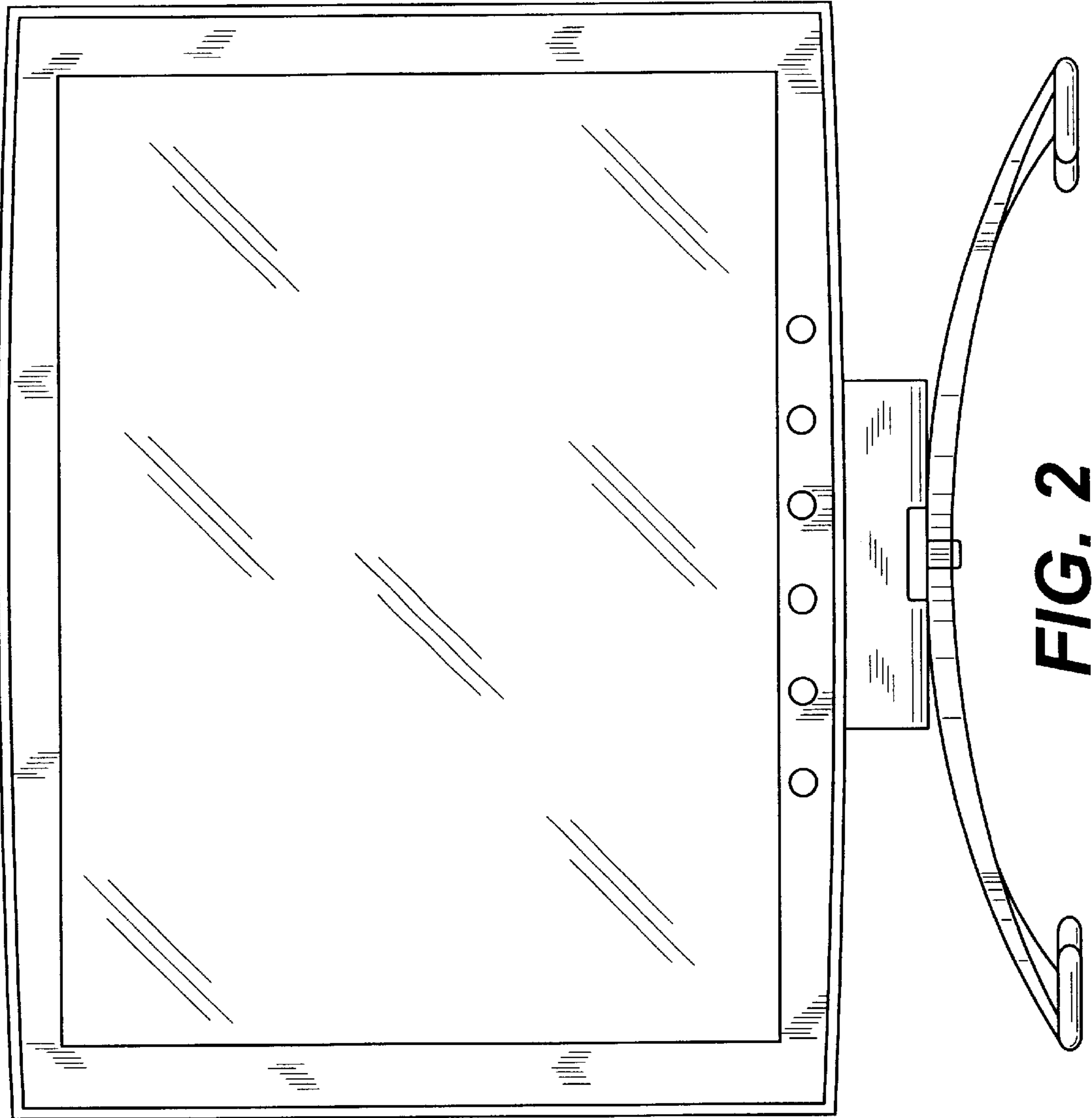
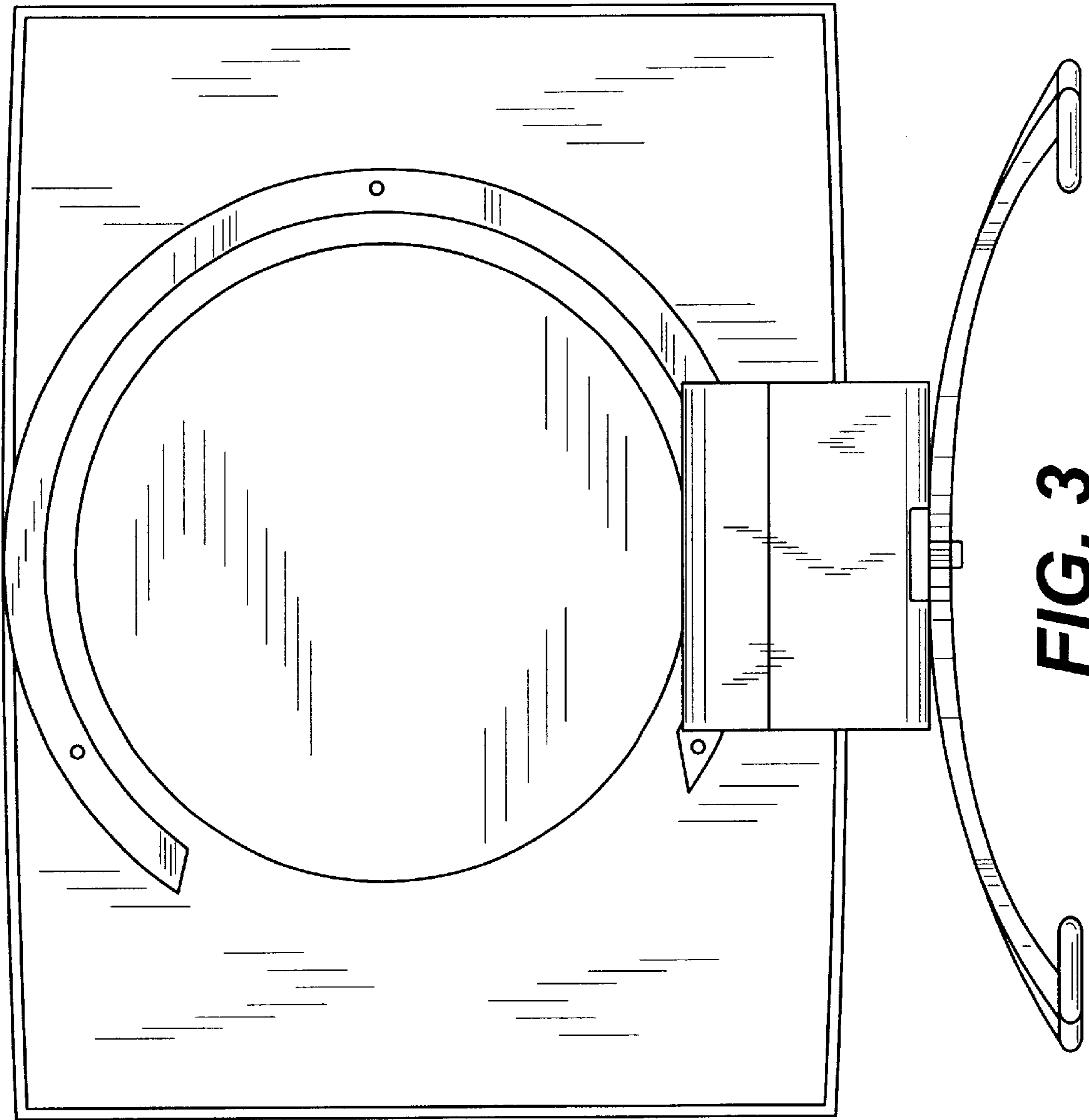


FIG. 1





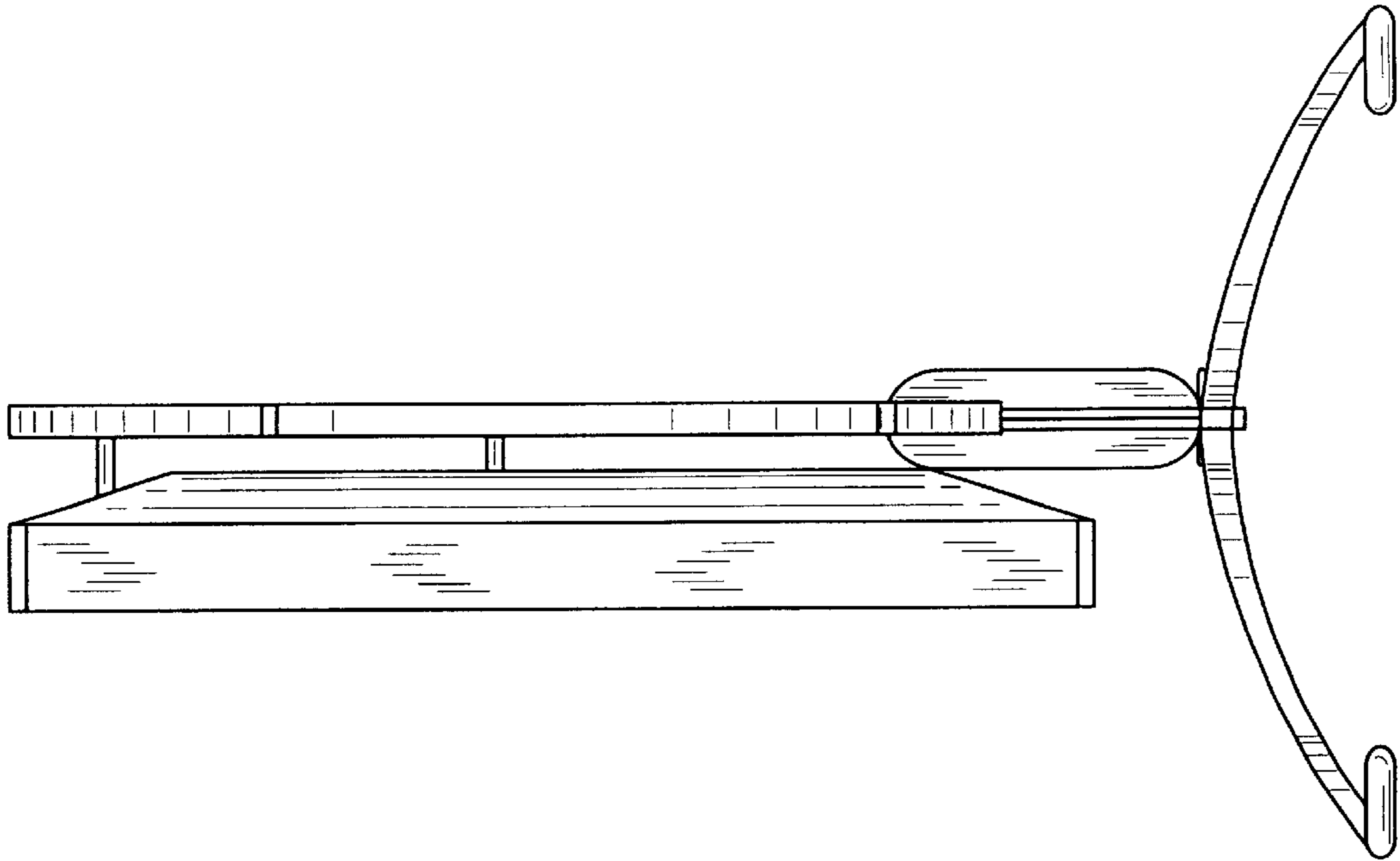


FIG. 5

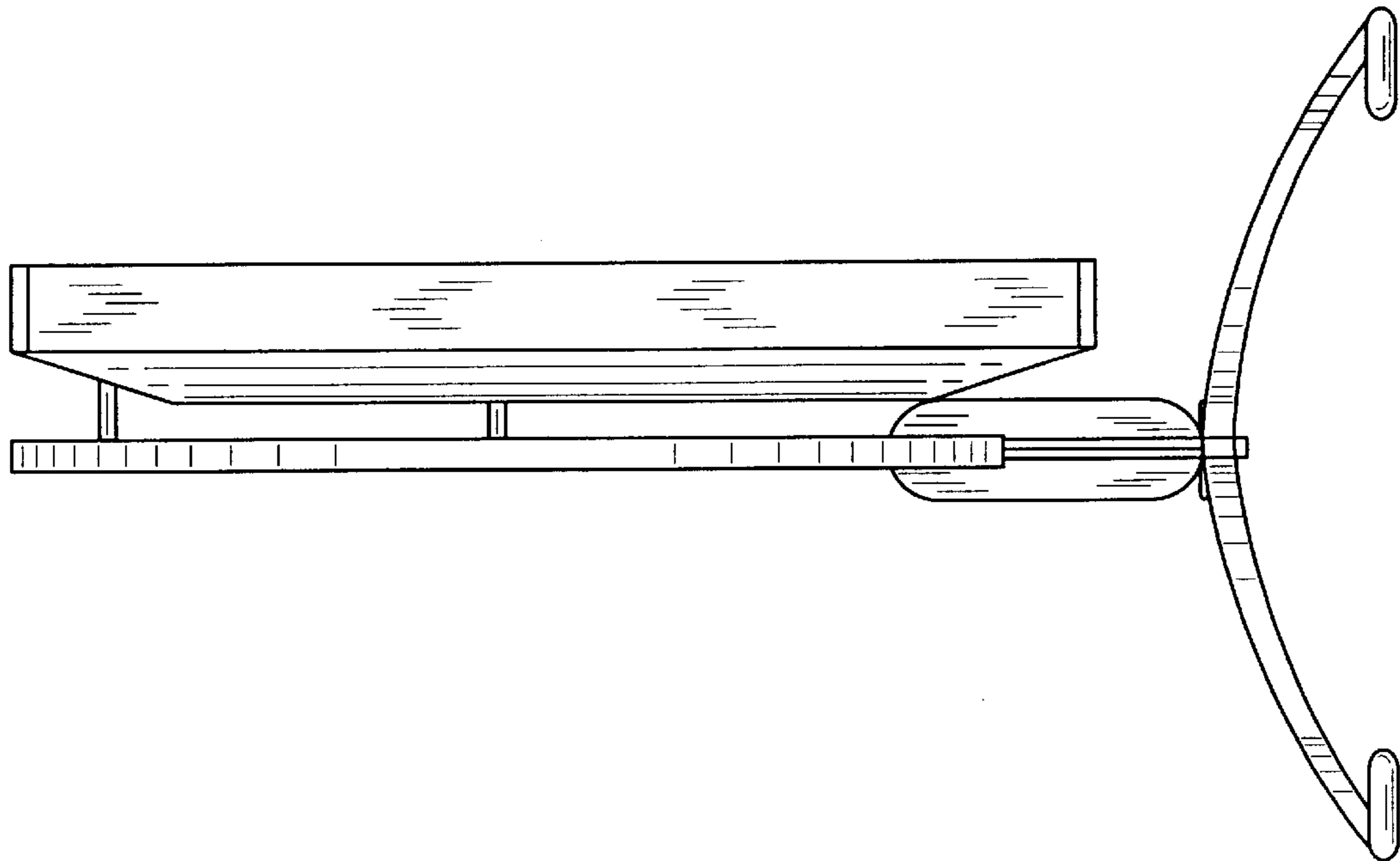


FIG. 4

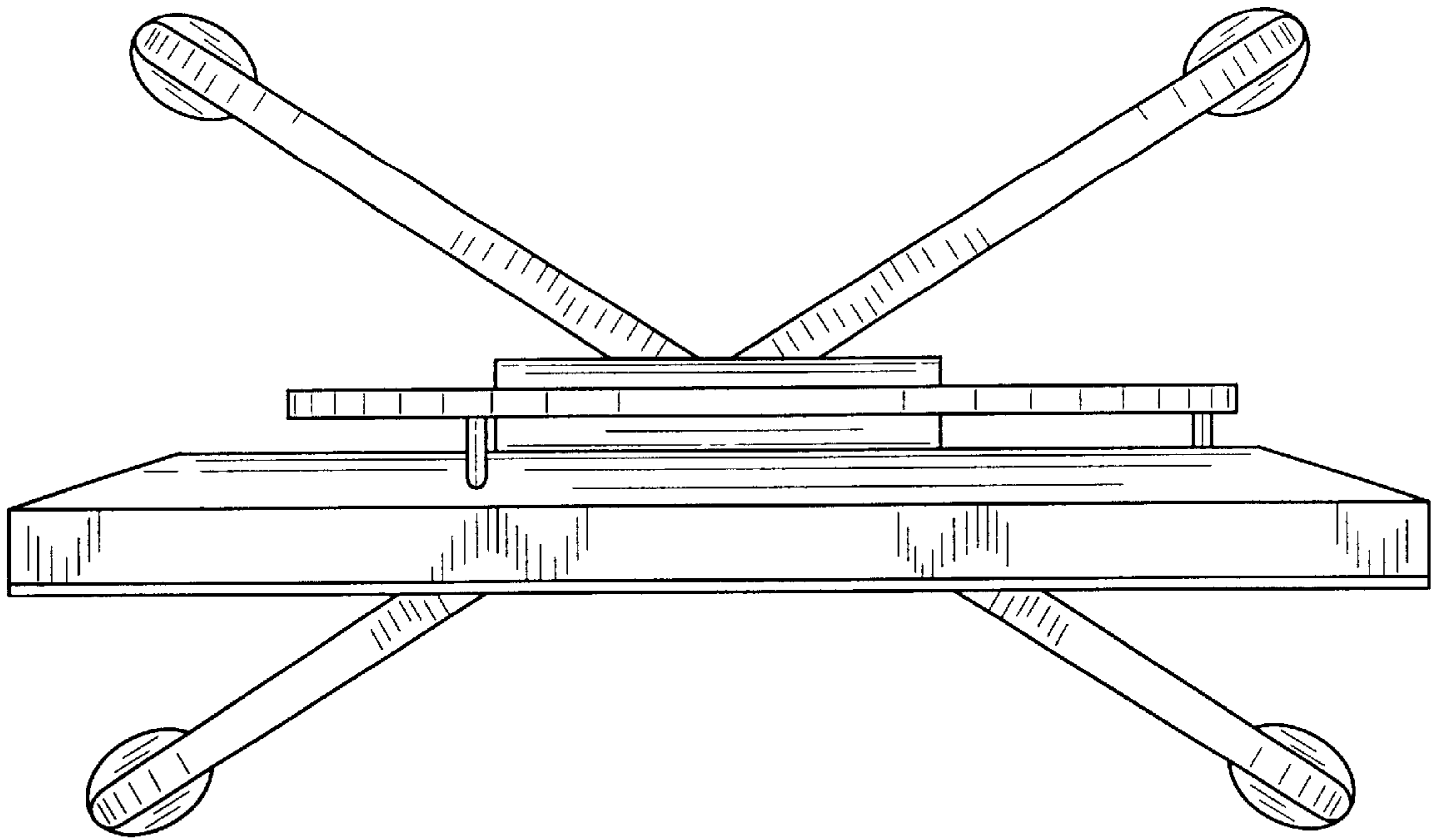


FIG. 6

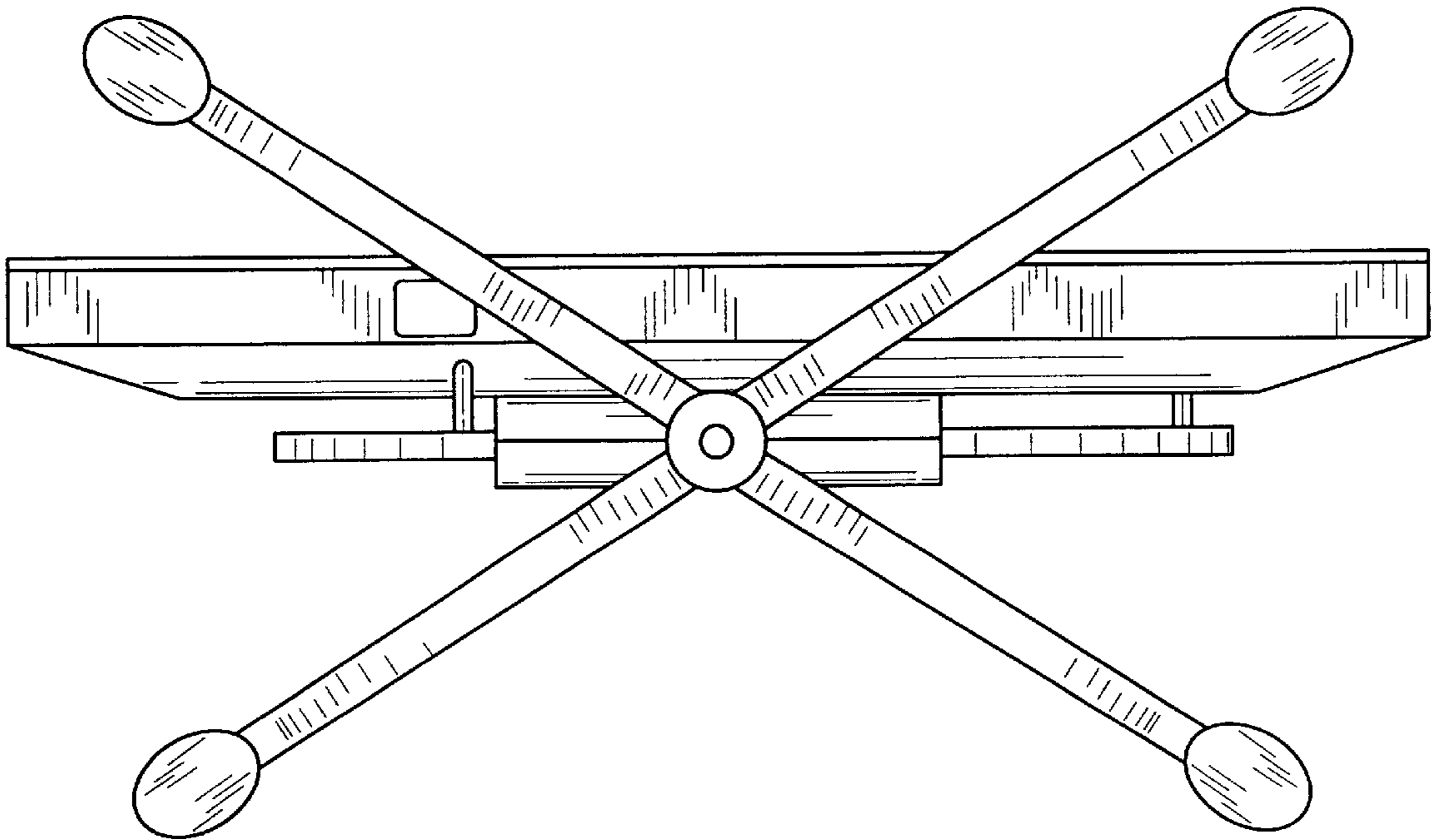


FIG. 7

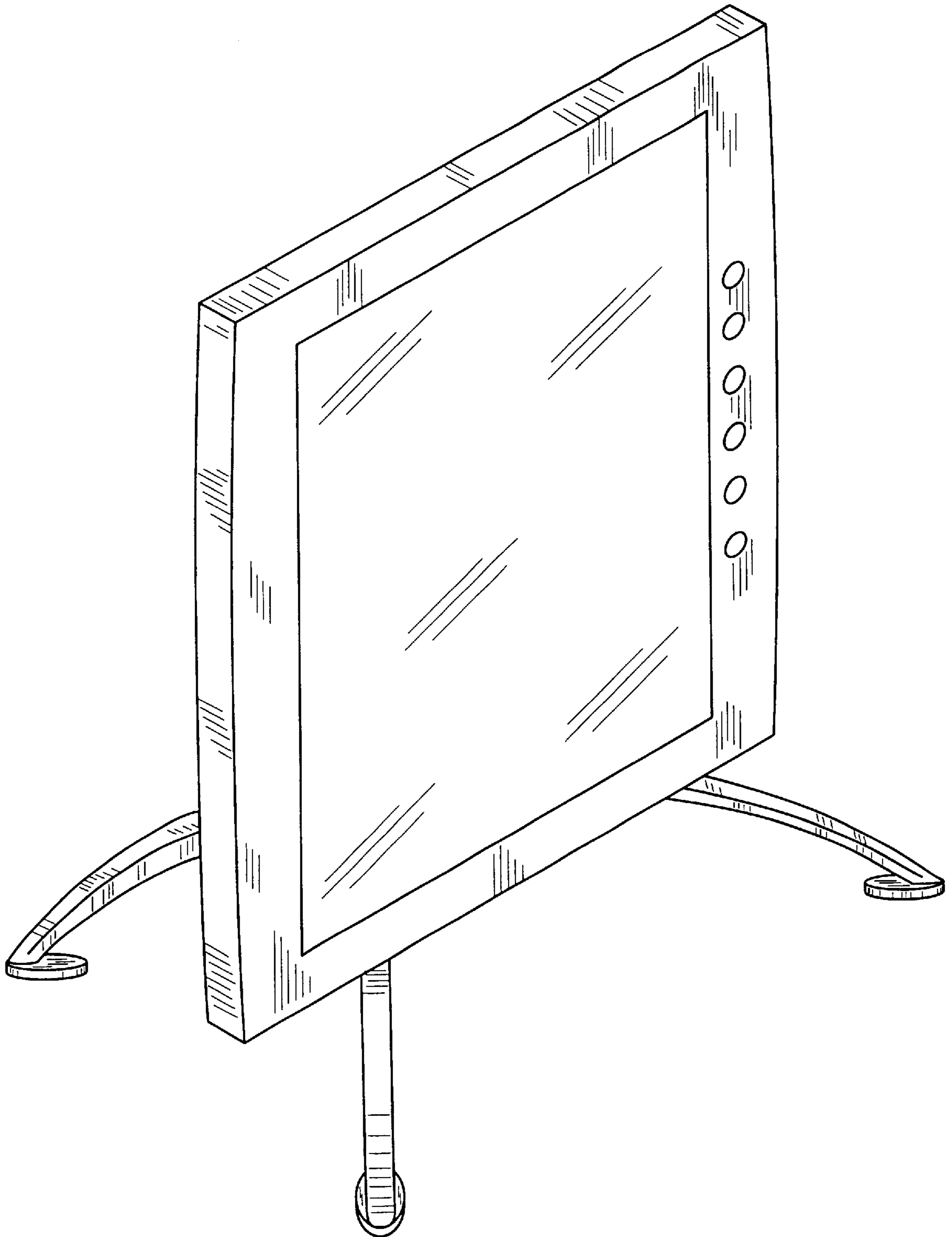


FIG. 8