



US00D449607B1

(12) **United States Design Patent**
Lee et al.

(10) **Patent No.:** **US D449,607 S**

(45) **Date of Patent:** **** Oct. 23, 2001**

(54) **PERSONAL COMPUTER**

(75) Inventors: **Jong Bok Lee**, Incheon-si; **Byung Mu Huh**, Seoul; **Chan Young Lee**, Seoul; **Bo Hyun Nam**, Seoul, all of (KR)

(73) Assignee: **LG Electronics Inc.**, Seoul (KR)

(**) Term: **14 Years**

(21) Appl. No.: **29/124,435**

(22) Filed: **Jun. 6, 2000**

(30) **Foreign Application Priority Data**

Dec. 6, 1999 (KR) 99-29408

(51) **LOC (7) Cl.** **14-02**

(52) **U.S. Cl.** **D14/348; D14/352**

(58) **Field of Search** D14/348, 349,
D14/352-358, 361-363, 434; D13/162,
184, 199; 312/223.1-223.3; 360/99.12;
361/694, 696

(56) **References Cited**

U.S. PATENT DOCUMENTS

D. 324,375 * 3/1992 Kato et al. D14/352

D. 347,212 * 5/1994 Riley D14/355
D. 393,246 * 4/1998 Fynn et al. D14/348
D. 393,451 * 4/1998 Faranda et al. D14/434
D. 412,889 * 8/1999 Brunner D14/348

* cited by examiner

Primary Examiner—Freda Nunn

(57) **CLAIM**

The ornamental design for a personal computer, as shown and described.

DESCRIPTION

FIG. 1 is a perspective view of a personal computer showing the new design;

FIG. 2 is a front view of the personal computer of FIG. 1;

FIG. 3 is a rear view of the personal computer of FIG. 1;

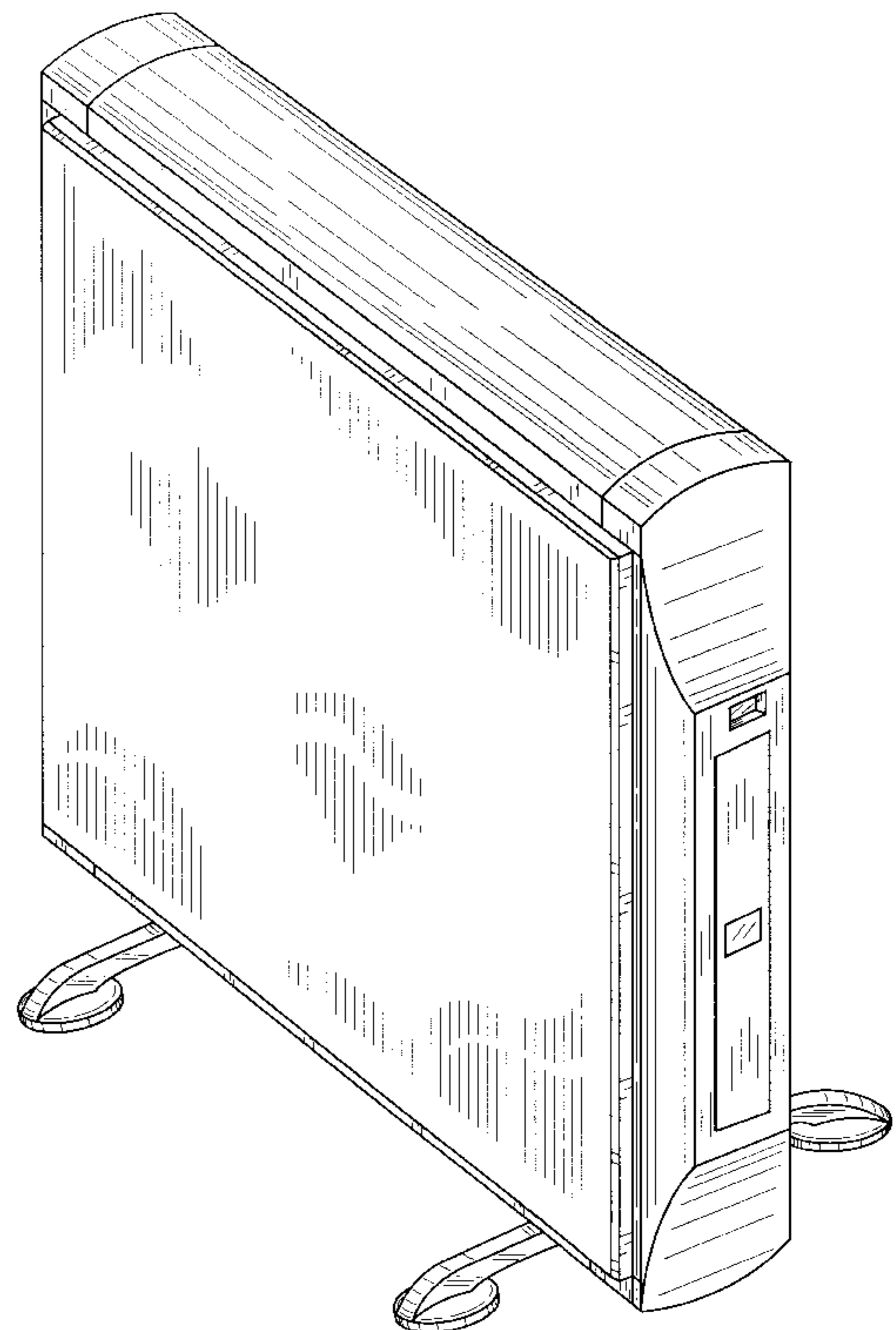
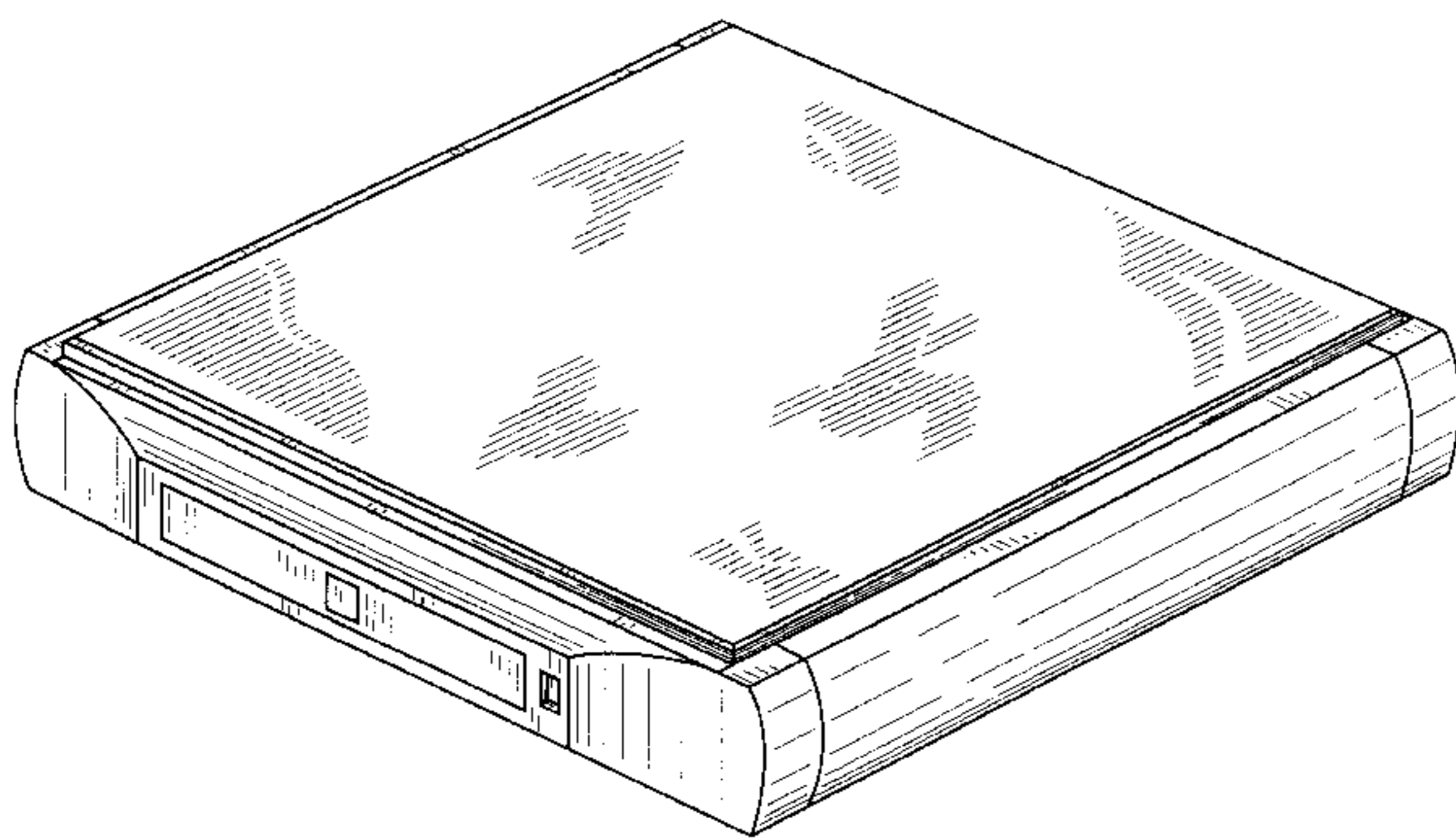
FIG. 4 is a left side view of the personal computer of FIG. 1;

FIG. 5 is a right side view of the personal computer of FIG. 1;

FIG. 6 is a top view of the personal computer of FIG. 1; and,

FIG. 7 is a perspective view of the personal computer of the figure in a standing, upright position.

1 Claim, 5 Drawing Sheets



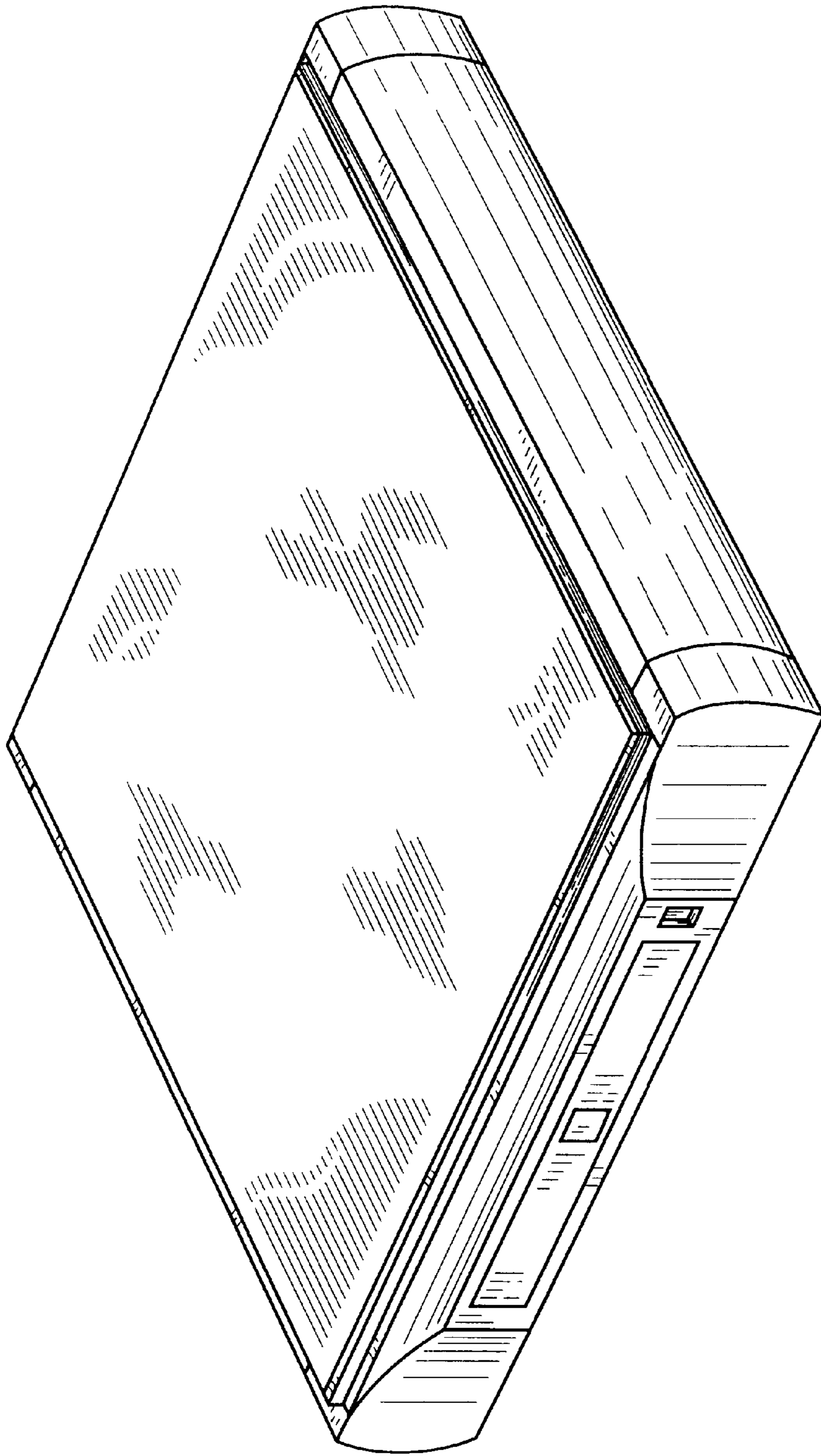


FIG. 1

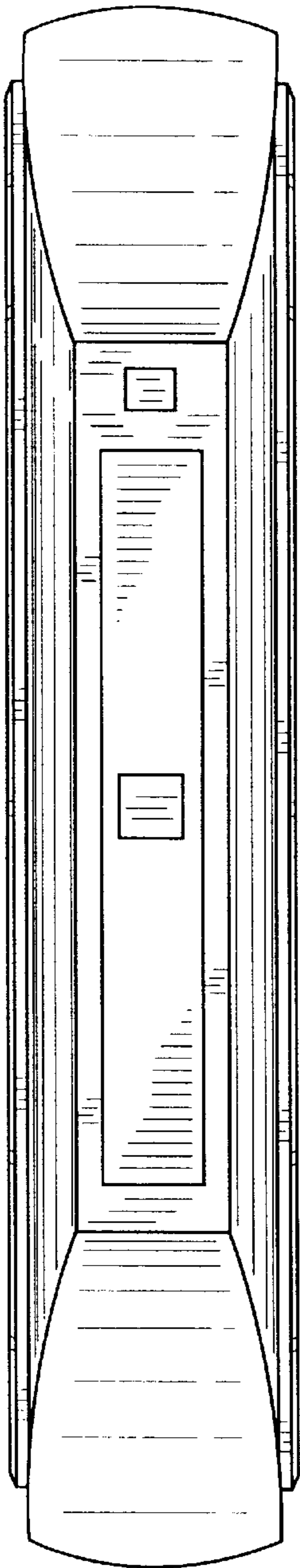


FIG. 2

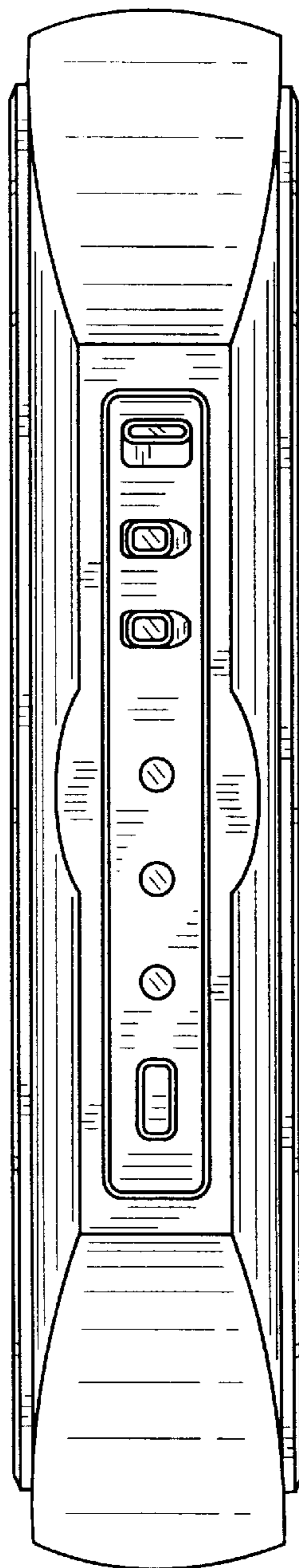


FIG. 3

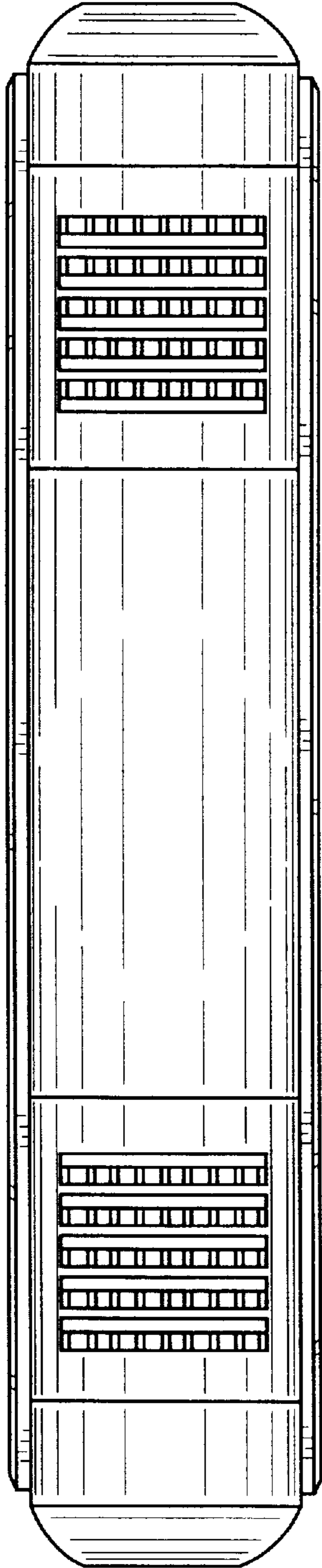


FIG. 4

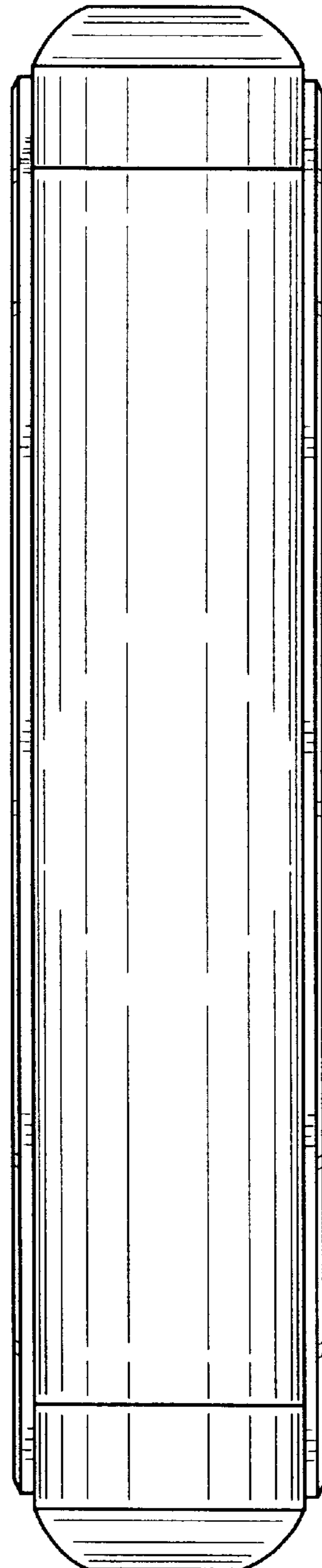


FIG. 5

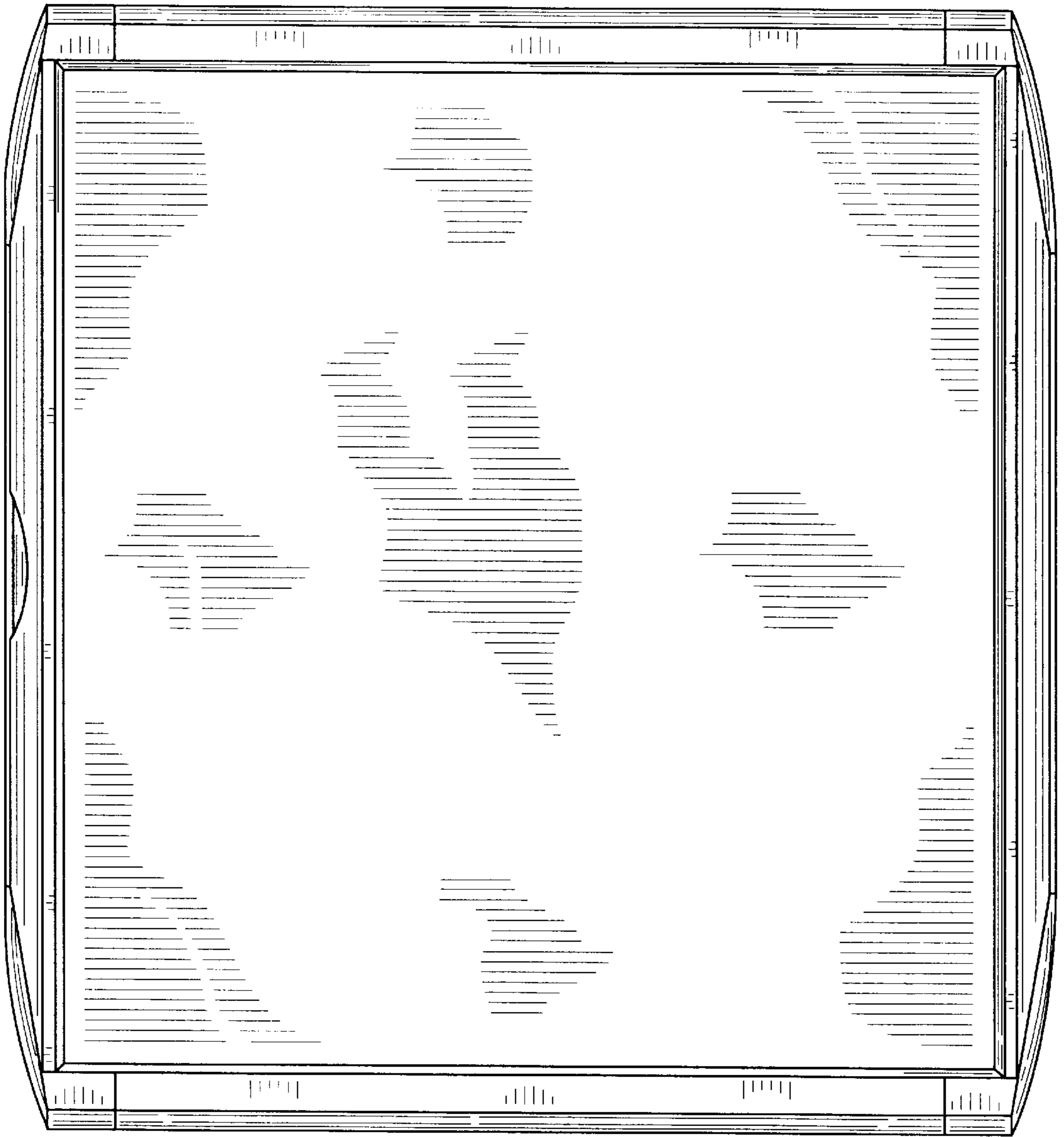


FIG. 6

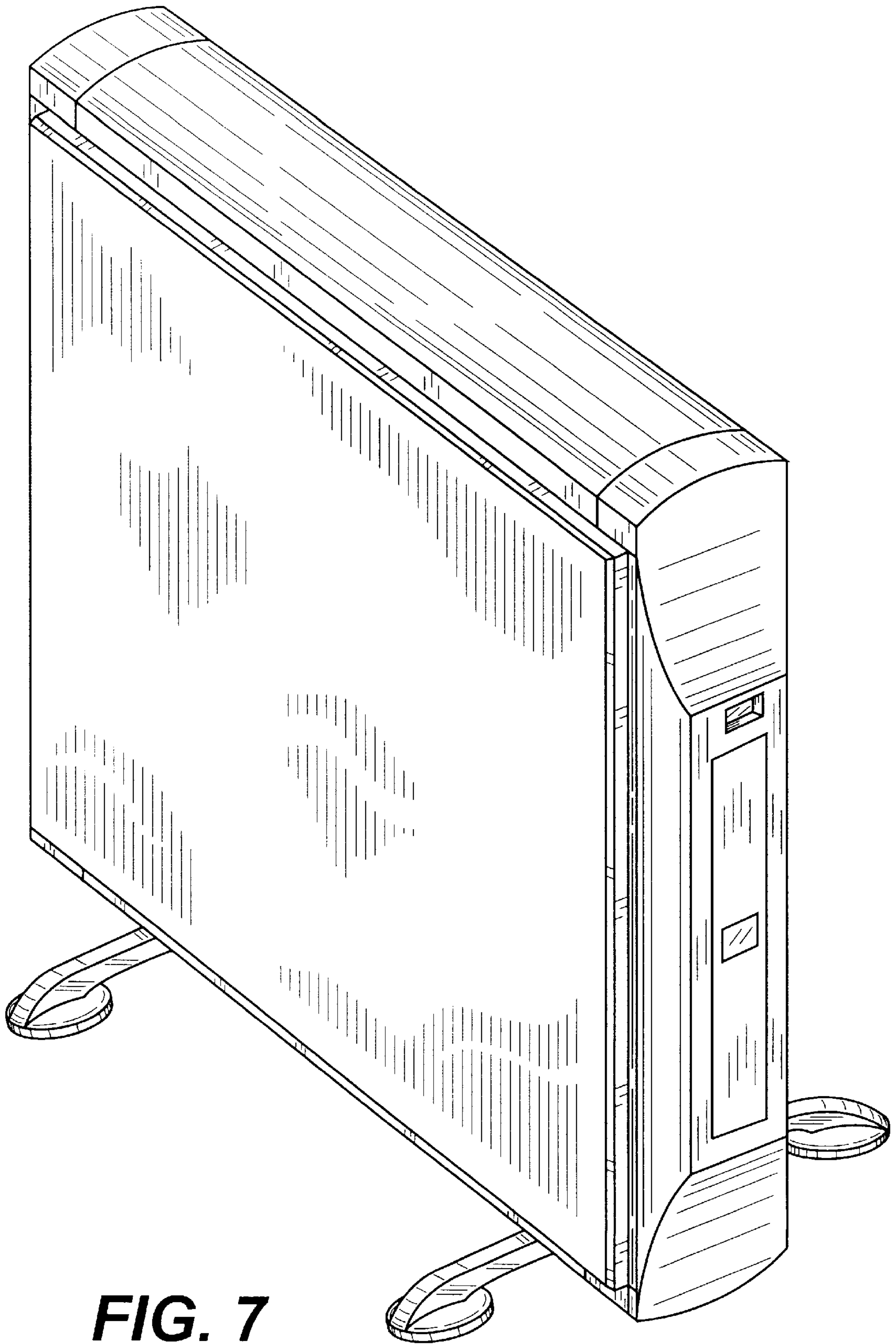


FIG. 7