



US00D449606B1

(12) **United States Design Patent**
Lee et al.

(10) **Patent No.:** **US D449,606 S**
(45) **Date of Patent:** **** Oct. 23, 2001**

(54) **PORTABLE ELECTRONIC BOOK**

(75) Inventors: **Chuan-Jung Lee**, Kaohsiung;
Yuan-Huan Tsai; **Chih-Chuan Sun**,
both of Taipei; **Ming-Hsien Wang**,
Ma-Kung, all of (TW)

(73) Assignee: **Future Display Systems, Inc.**, Taipei
(TW)

(**) Term: **14 Years**

(21) Appl. No.: **29/132,621**

(22) Filed: **Nov. 9, 2000**

(51) **LOC (7) Cl.** **14-02**

(52) **U.S. Cl.** **D14/345**

(58) **Field of Search** D14/315, 341,
D14/345, 322; D19/26, 59, 60; D18/1,
2, 7; 345/104, 156, 168, 169, 173, 87, 901-905;
361/680-686; 400/486, 489

(56) **References Cited**

U.S. PATENT DOCUMENTS

- D. 326,446 * 5/1992 Wong D14/345
- D. 359,306 * 6/1995 Lande et al. D14/345 X
- D. 370,207 * 5/1996 Grewe et al. D14/342
- D. 399,526 * 10/1998 Brady D19/26

* cited by examiner

Primary Examiner—Freda Nunn

(74) *Attorney, Agent, or Firm*—Jackson Walker L.L.P.

(57) **CLAIM**

The ornamental design for a portable electronic book, as shown and described.

DESCRIPTION

FIG. 1 is a top perspective view of a portable electronic book with its cover close of the present invention;

FIG. 2 is a right side view of the portable electronic book as shown in FIG. 1;

FIG. 3 is a left side view of the portable electronic book as shown in FIG. 1;

FIG. 4 is a front view of the portable electronic book as shown in FIG. 1;

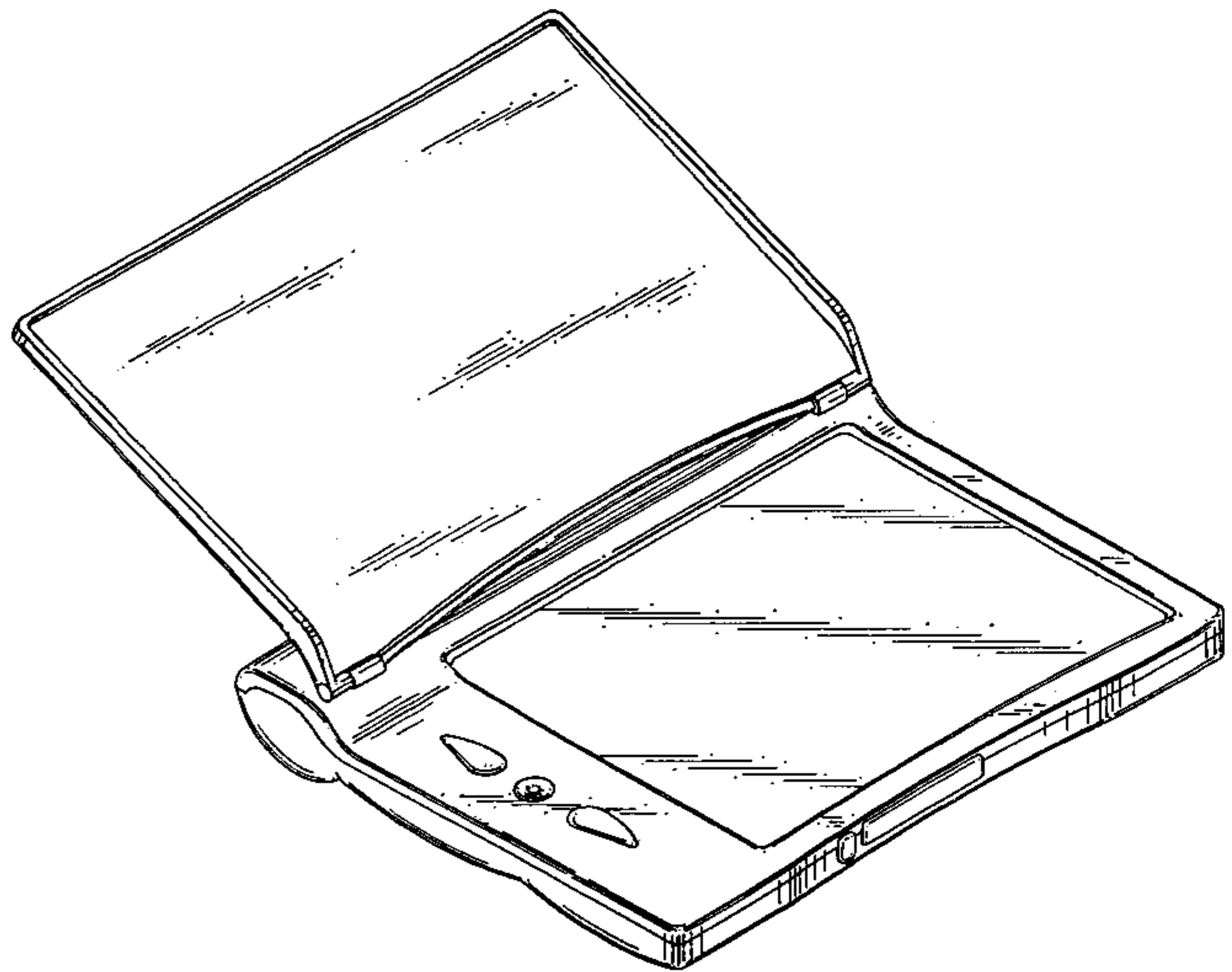
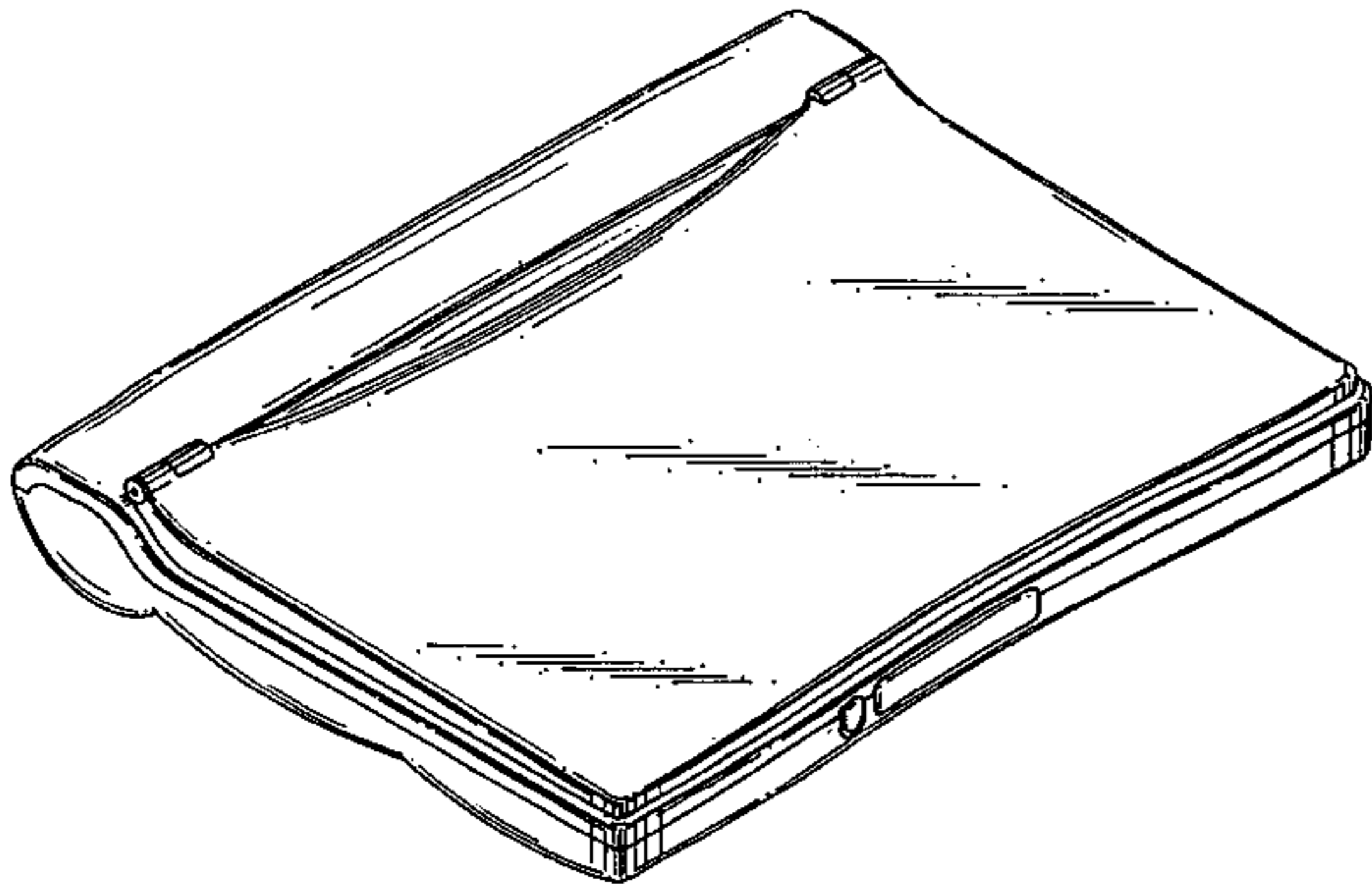
FIG. 5 is a rear view of the portable electronic book as shown in FIG. 1;

FIG. 6 is a top plan view of the portable electronic book as shown in FIG. 1;

FIG. 7 is a bottom plan view of the portable electronic book as shown in FIG. 1; and,

FIG. 8 is a top perspective view of the portable electronic book as shown in FIG. 1 with its cover open.

1 Claim, 4 Drawing Sheets



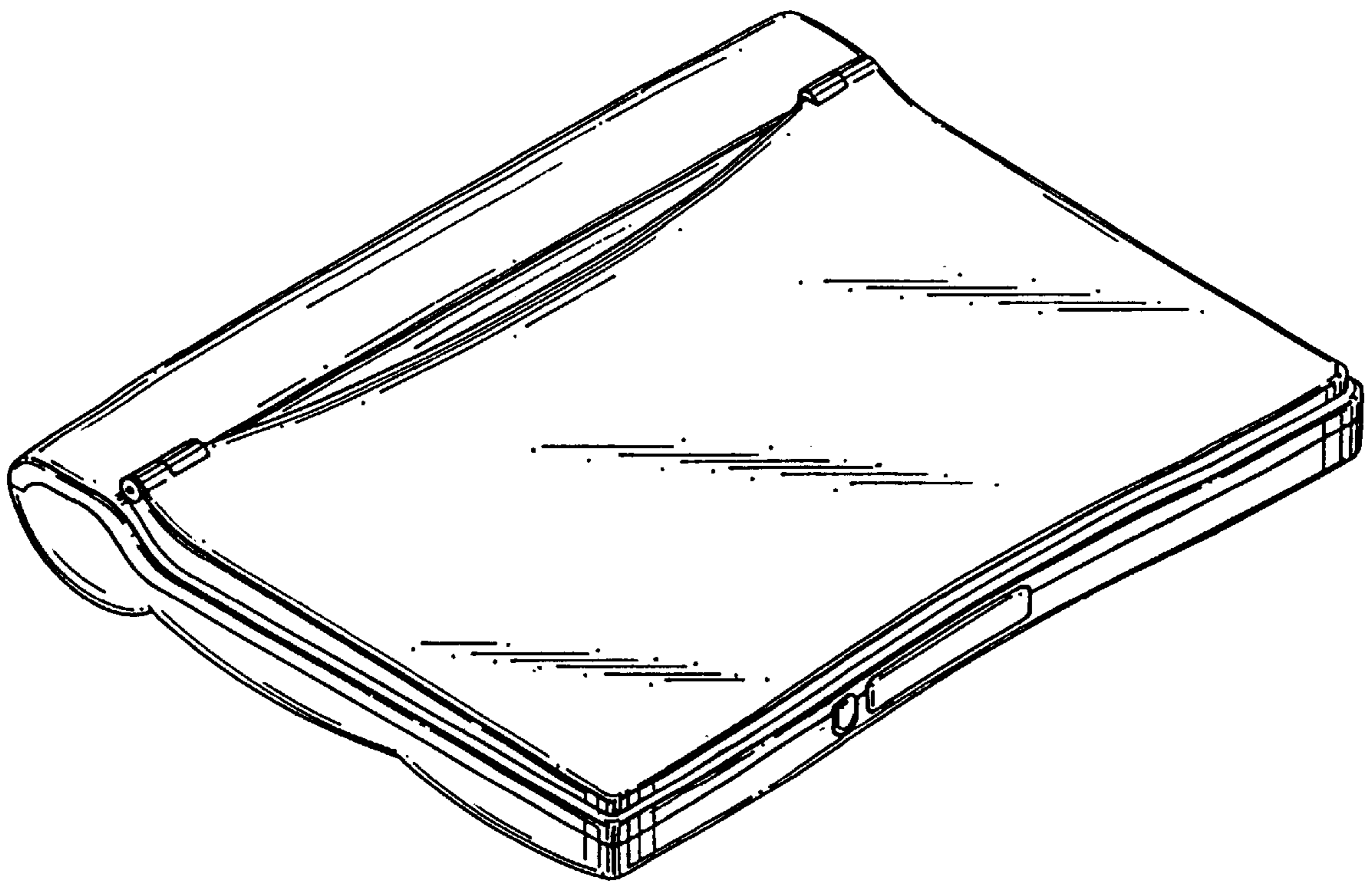


Fig. 1

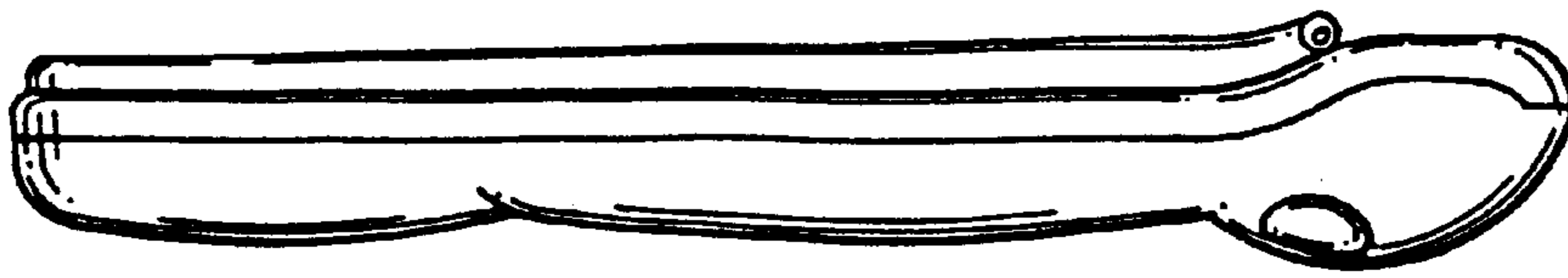


Fig. 2

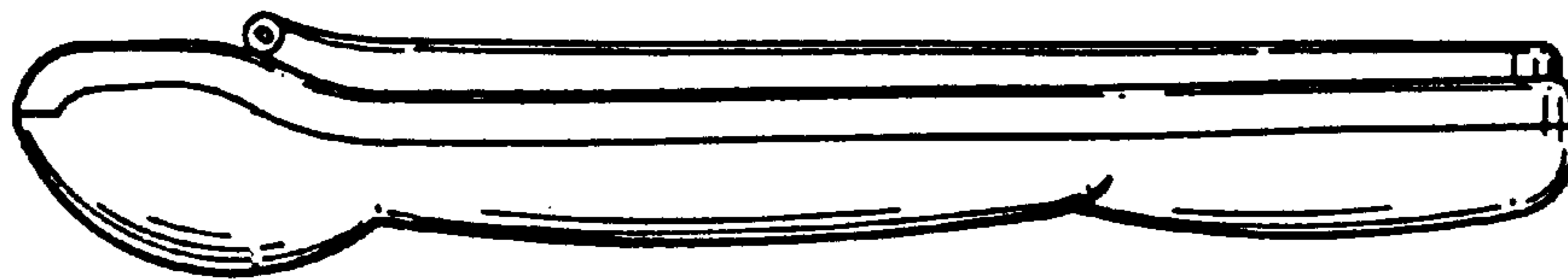


Fig. 3

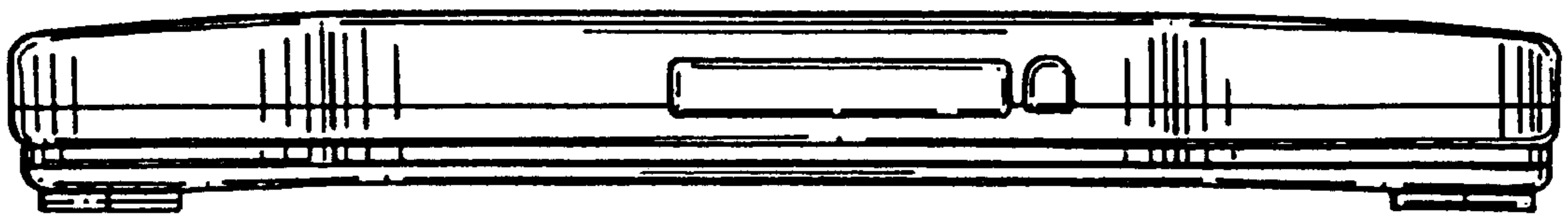


Fig. 4

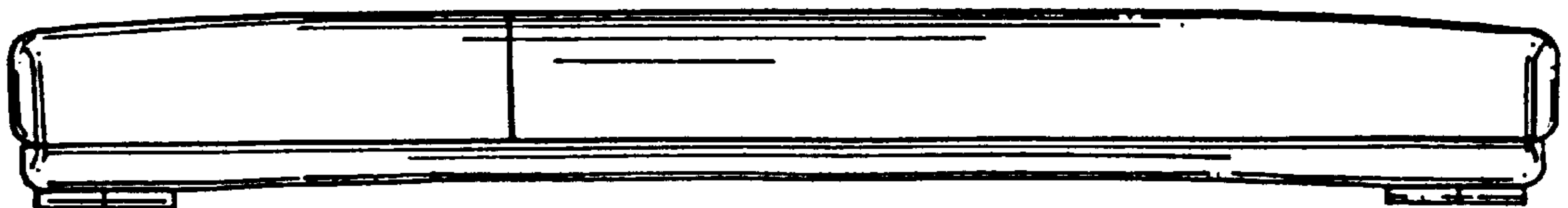


Fig. 5

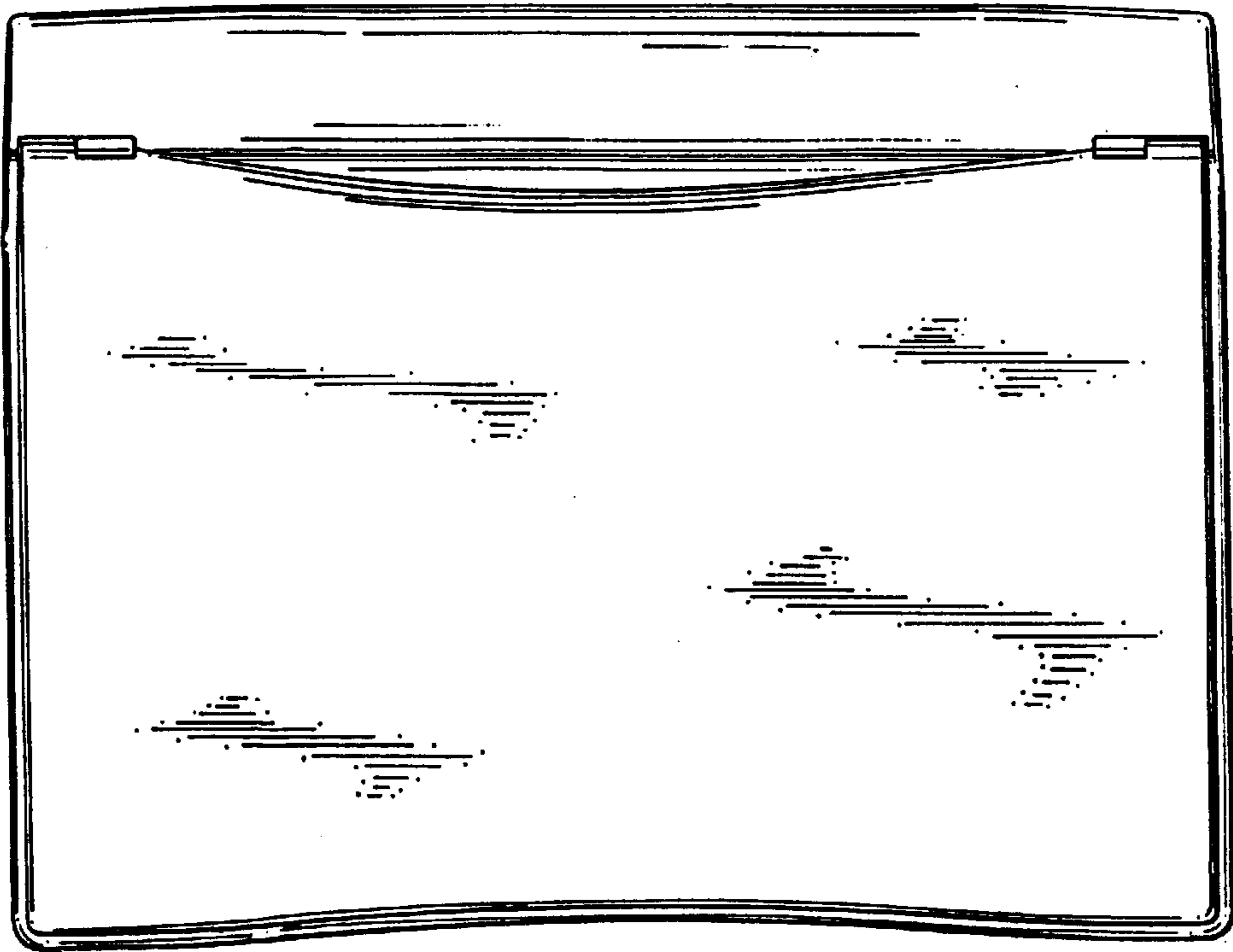


Fig. 6

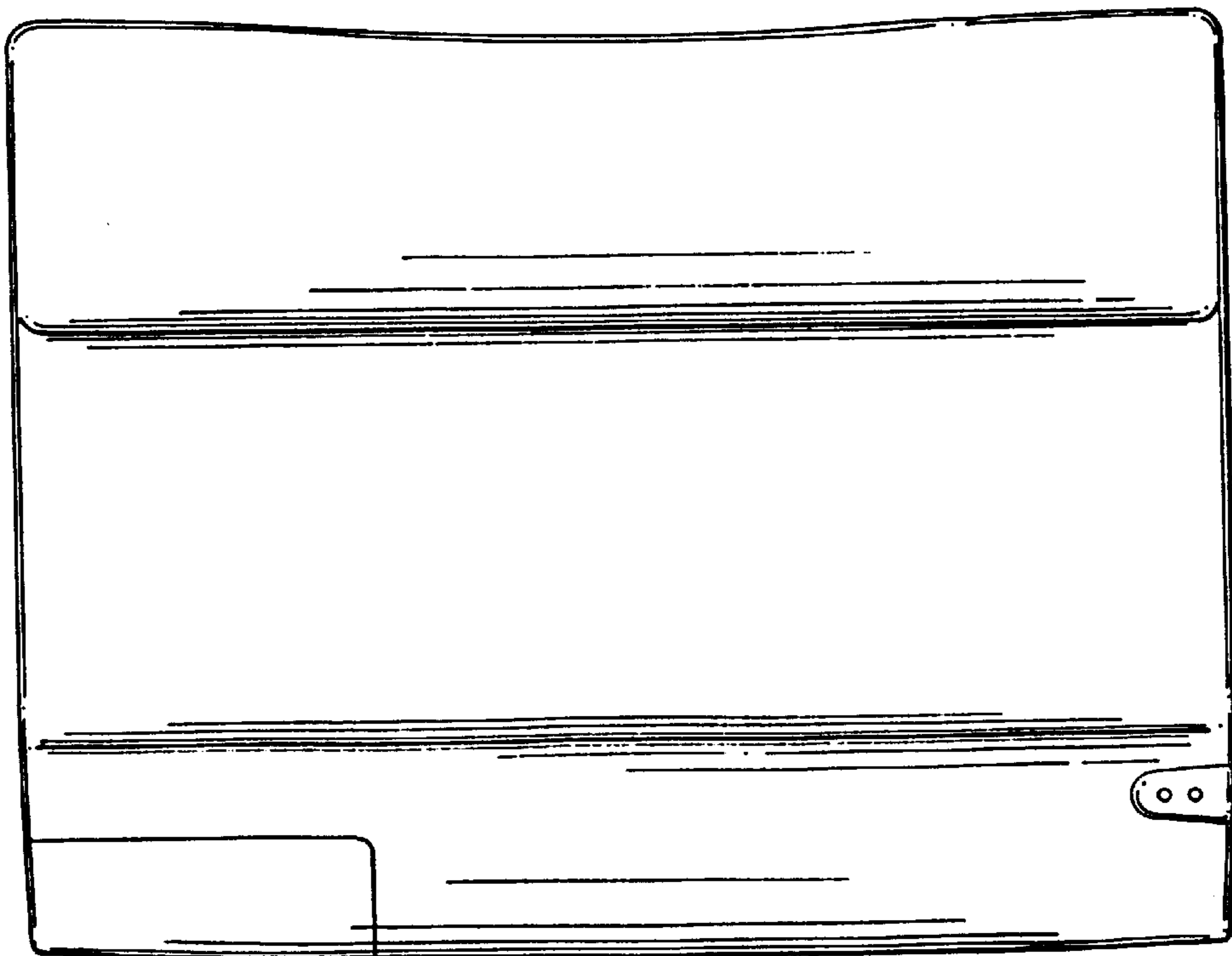


Fig. 7

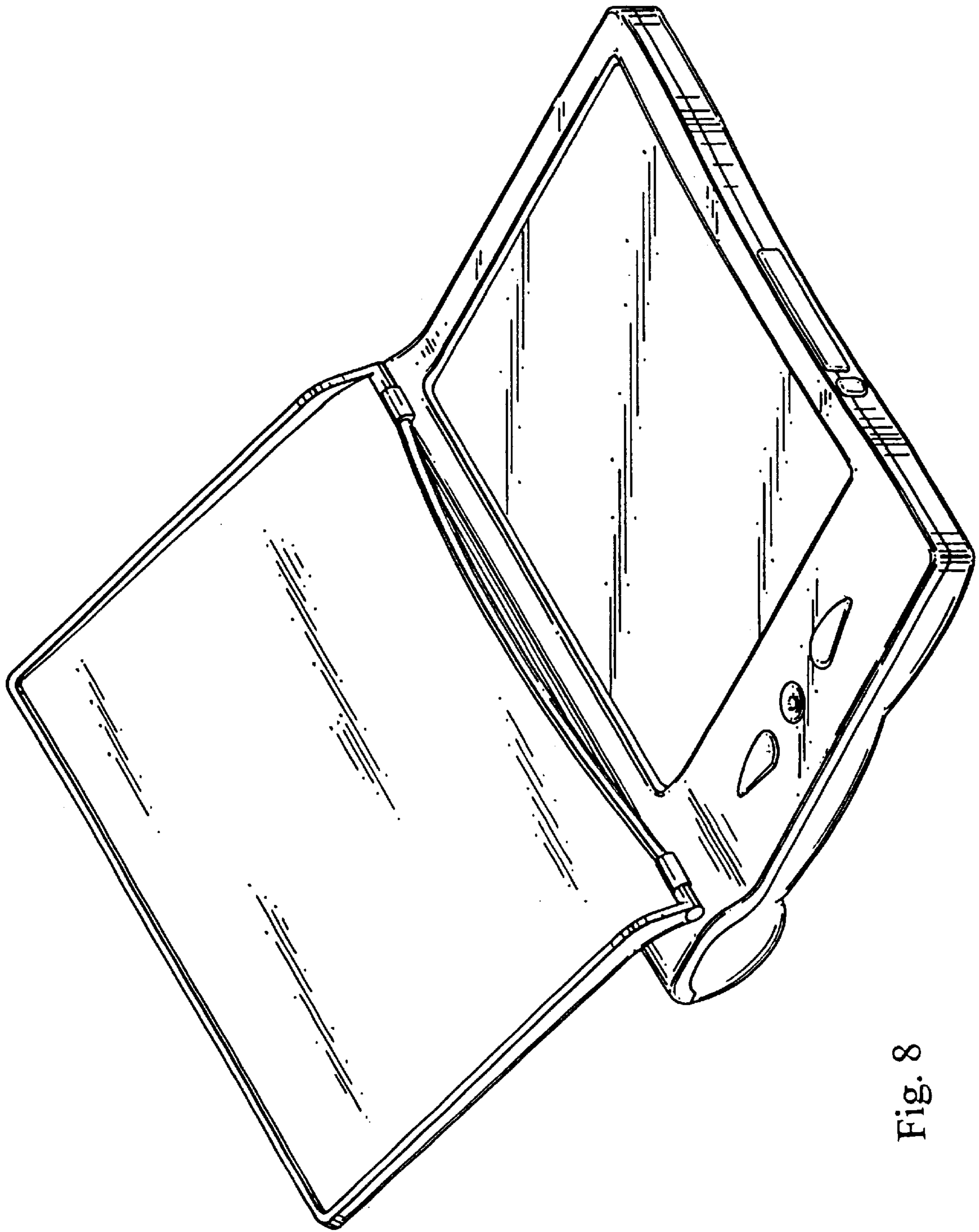


Fig. 8