



US00D449602B2

(12) **United States Design Patent**  
**Yu et al.**

(10) **Patent No.:** **US D449,602 S**

(45) **Date of Patent:** **\*\* Oct. 23, 2001**

(54) **COMPUTER**

(75) Inventors: **Scott Yu; Thomas Keen; Trent Stoddard**, all of San Francisco, CA (US); **Shinji Yamana; Yasuyuki Tamaki**, both of Tokyo (JP)

(73) Assignee: **Mitsubishi Denki Kabushiki Kaisha**, Tokyo (JP)

(\*\*) Term: **14 Years**

(21) Appl. No.: **29/131,566**

(22) Filed: **Oct. 25, 2000**

(51) **LOC (7) Cl.** ..... **14-02**

(52) **U.S. Cl.** ..... **D14/336**

(58) **Field of Search** ..... D14/336, 337, D14/374, 375, 125-129; 248/917-924; 345/104, 133, 156, 168, 173, 87; 348/180, 184, 325, 739; 349/1, 2, 11, 62; 341/12

(56) **References Cited**

**U.S. PATENT DOCUMENTS**

D. 397,094 \* 8/1998 Kishi et al. .... D14/337

D. 407,077 \* 3/1999 Shibata ..... D14/374

\* cited by examiner

*Primary Examiner*—Freda Nunn

(74) *Attorney, Agent, or Firm*—Oblon, Spivak, McClelland, Maier & Neustadt, P.C.

(57) **CLAIM**

The ornamental design for a computer, as shown and described.

**DESCRIPTION**

FIG. 1 is a front, top and right side perspective view of a computer, showing our new design; FIG. 2 is a rear, top and left side perspective view thereof; FIG. 3 is a front elevational view thereof; FIG. 4 is a rear elevational view thereof; FIG. 5 is a top plan view thereof; FIG. 6 is a bottom plan view thereof; FIG. 7 is a right side elevational view thereof, the left side elevational view is omitted as that is symmetrical to the right side elevational view thereof; and, FIG. 8 is an enlarged cross-sectional view thereof, taken along line 8—8 of FIG. 3, with the internal system omitted.

**1 Claim, 4 Drawing Sheets**

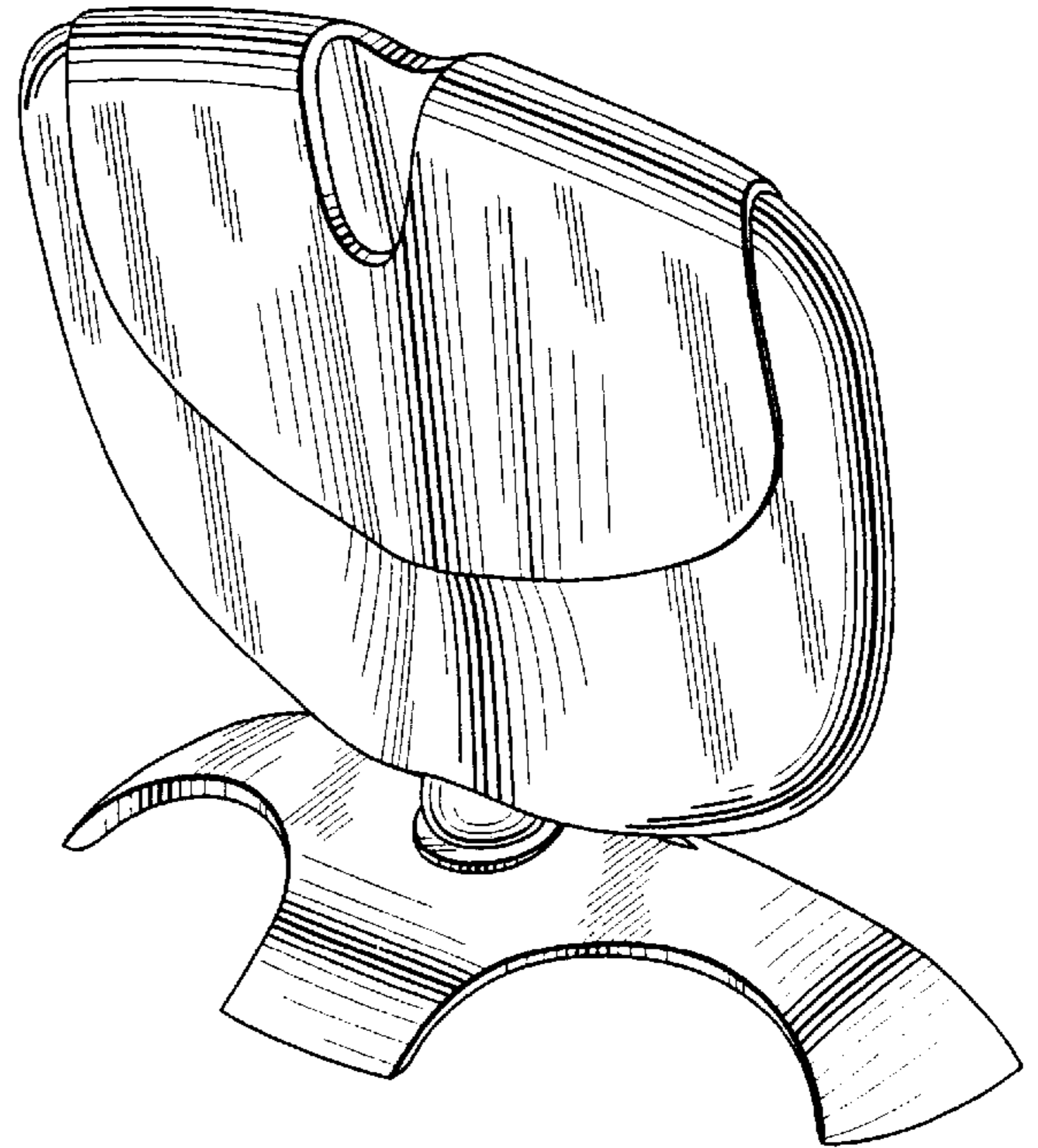
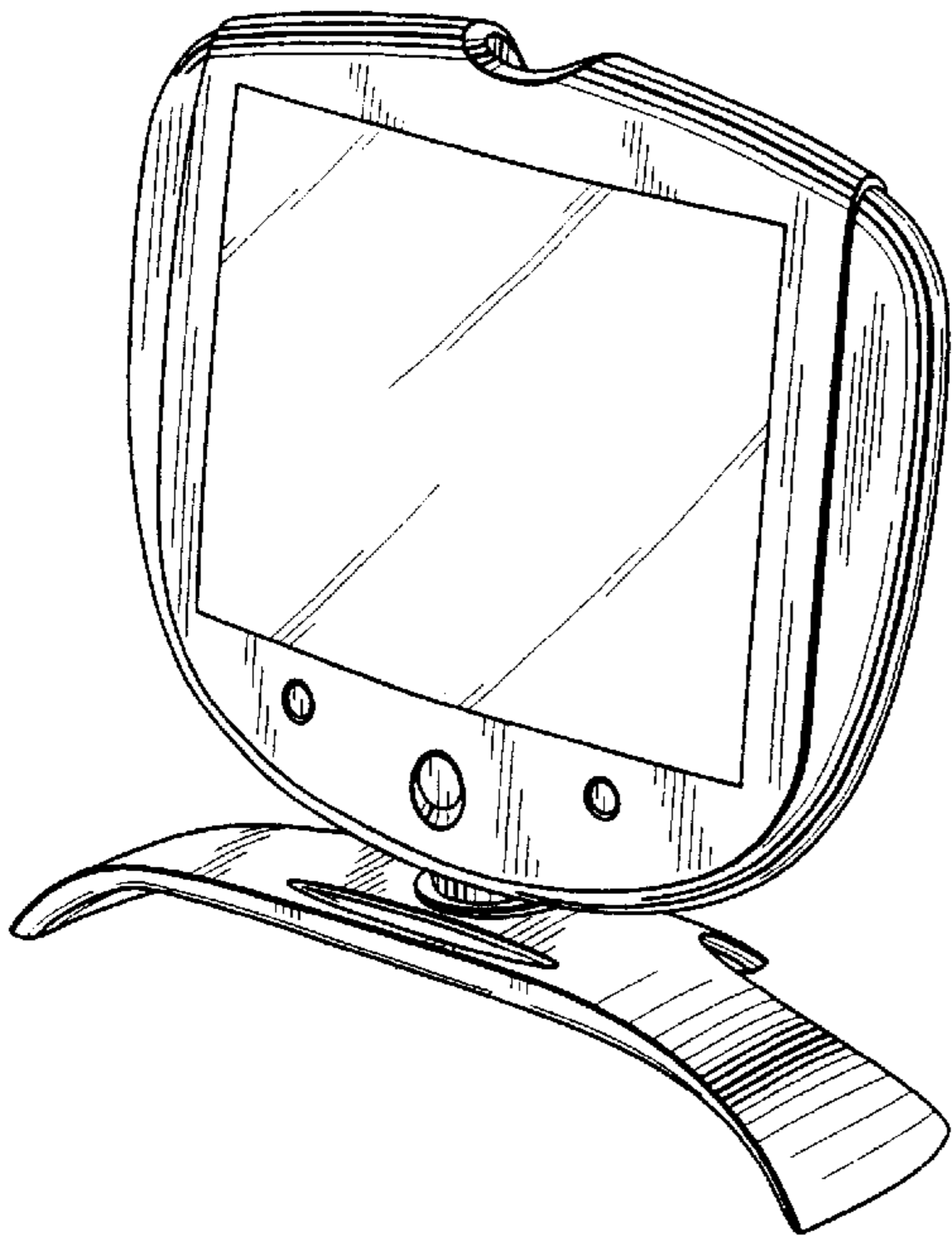


FIG. 1

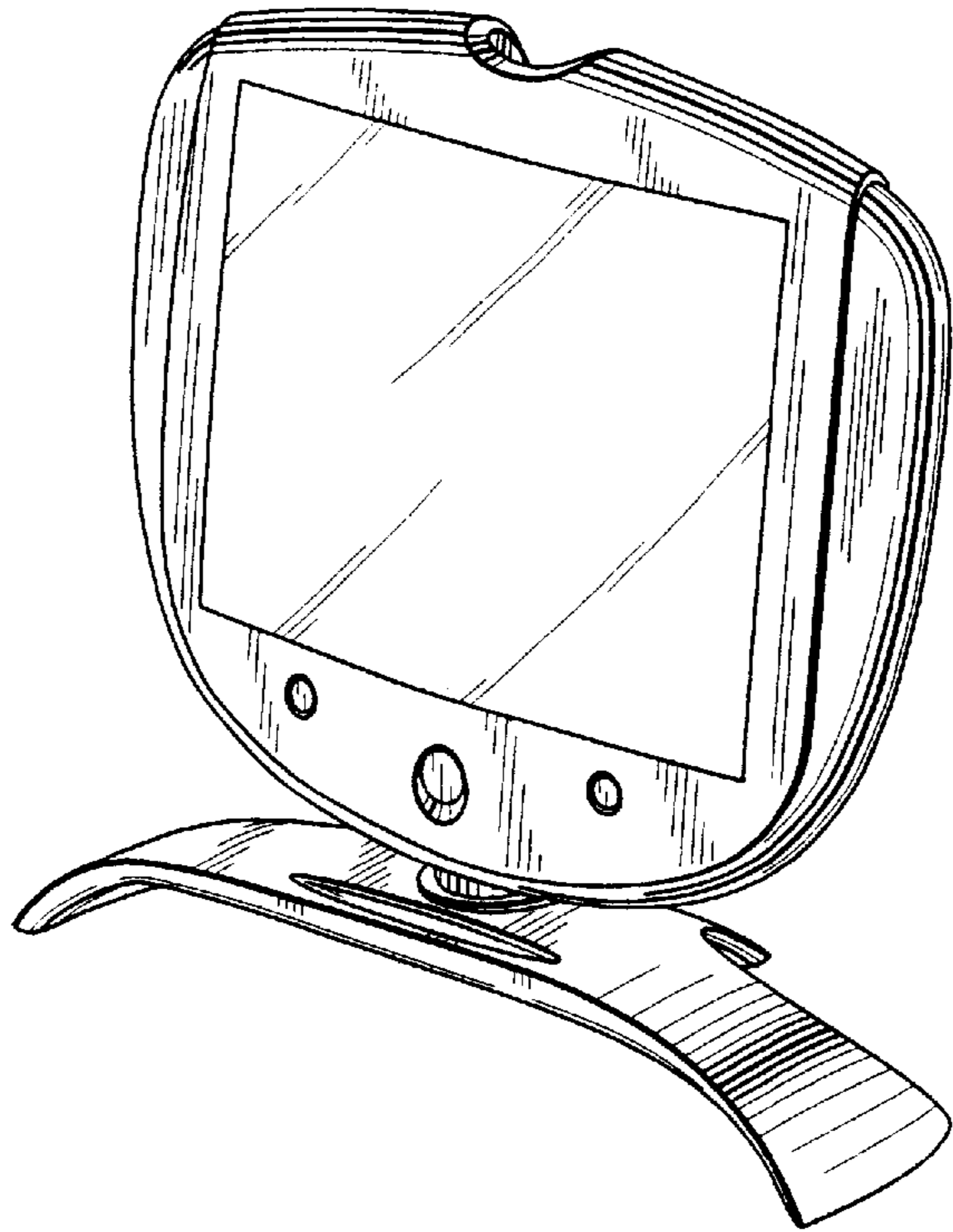


FIG. 2

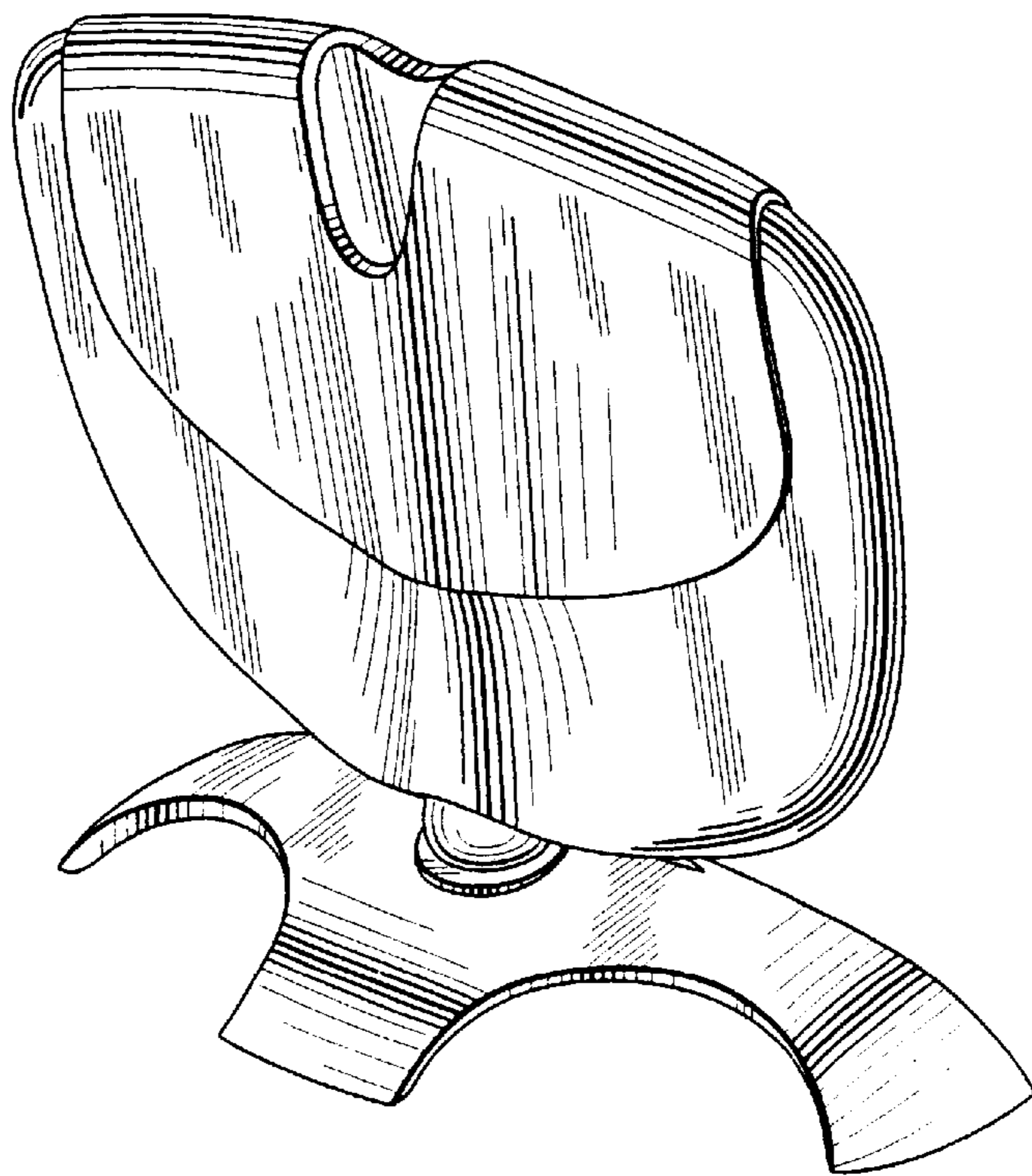


FIG.3

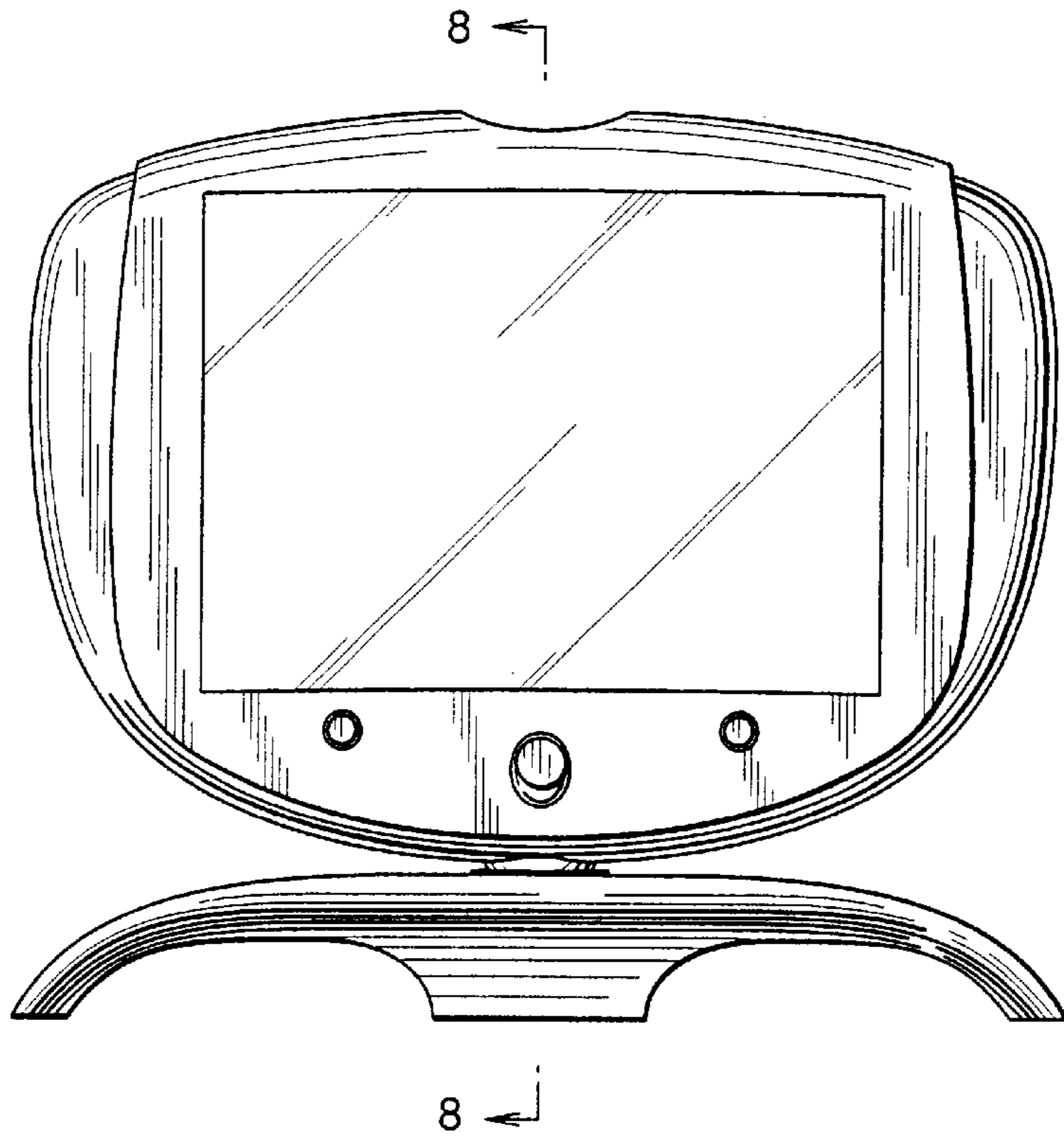


FIG.4

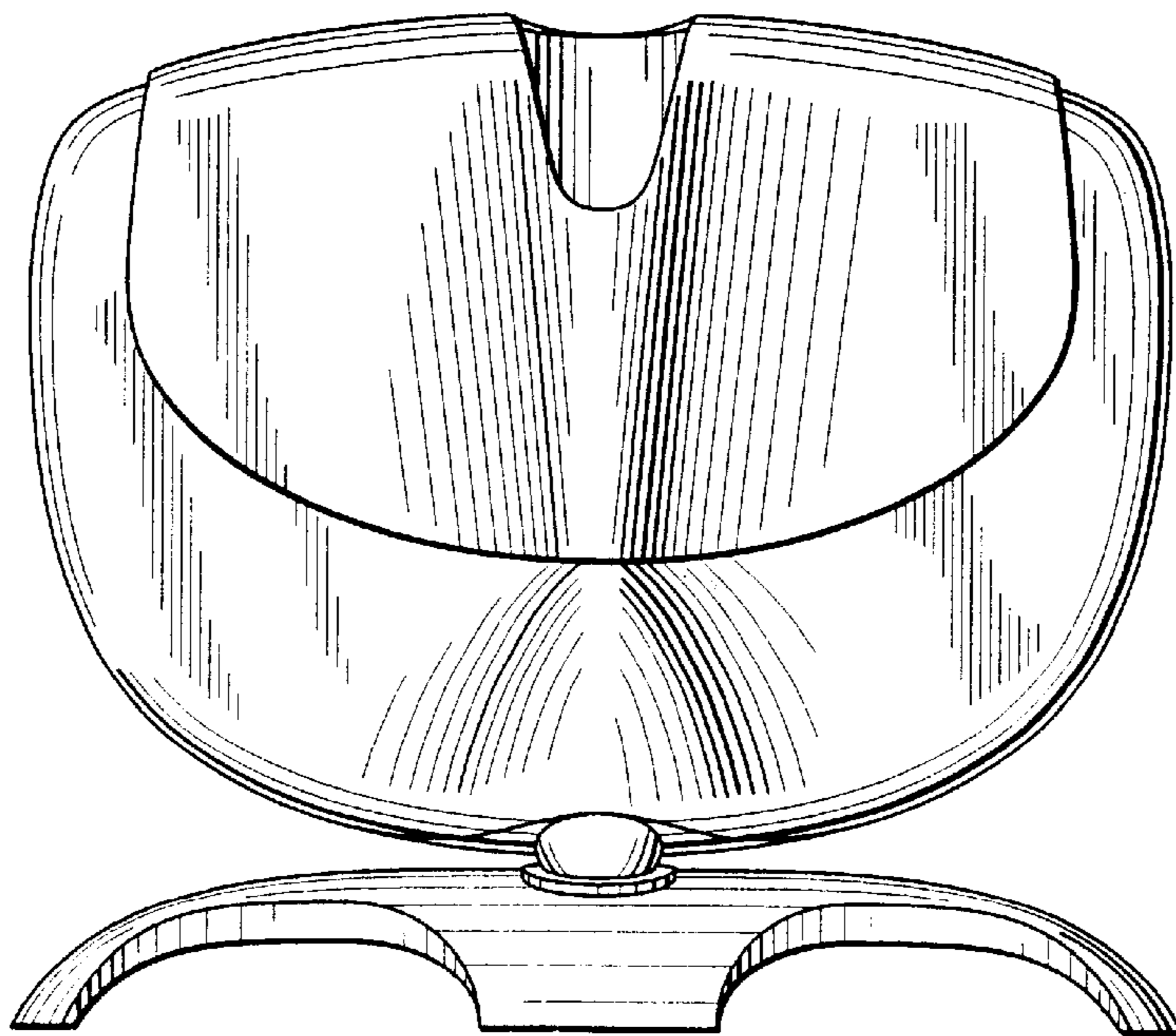


FIG.5

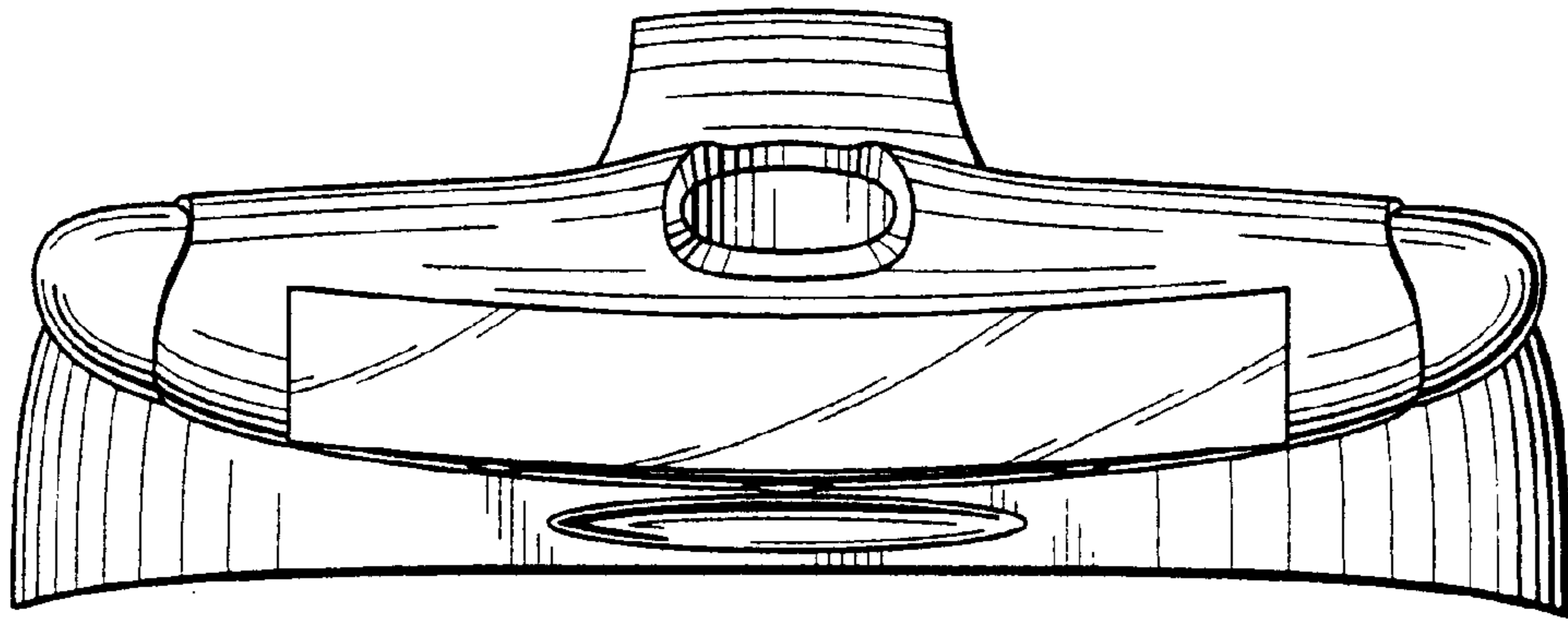


FIG.6

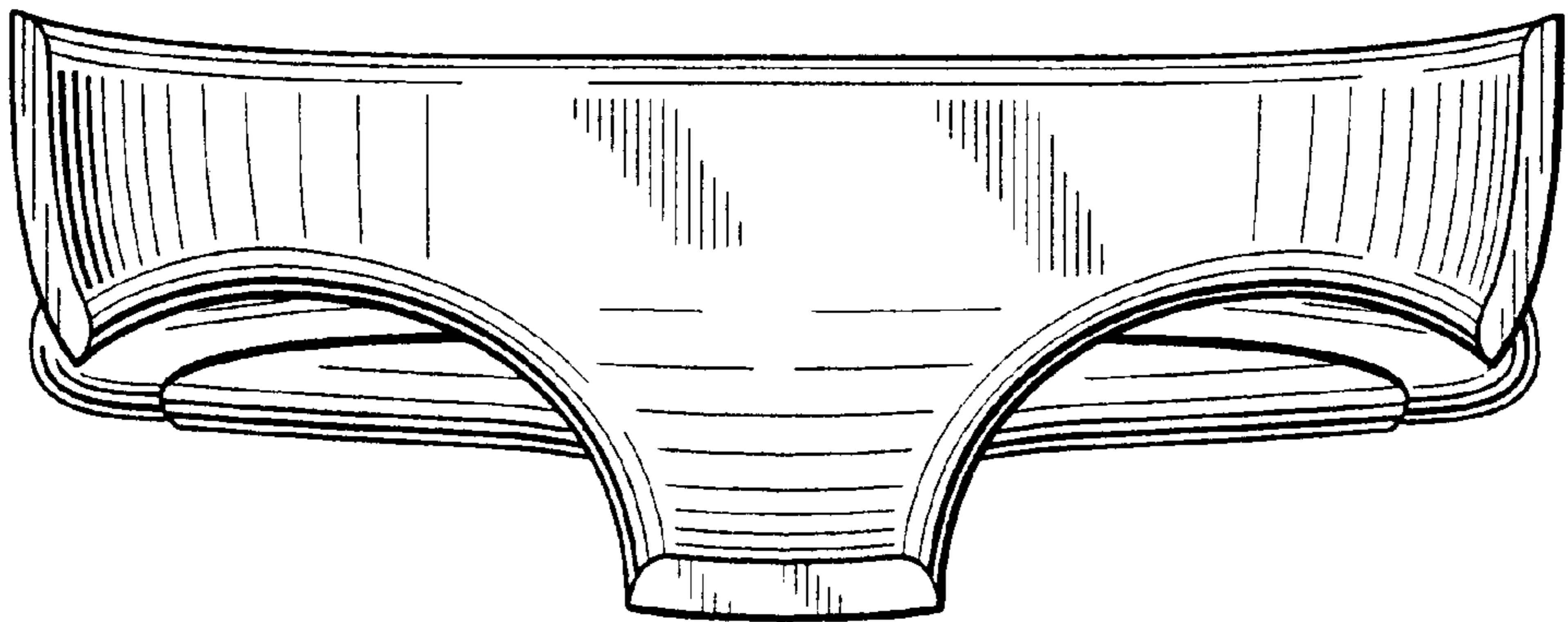


FIG. 7

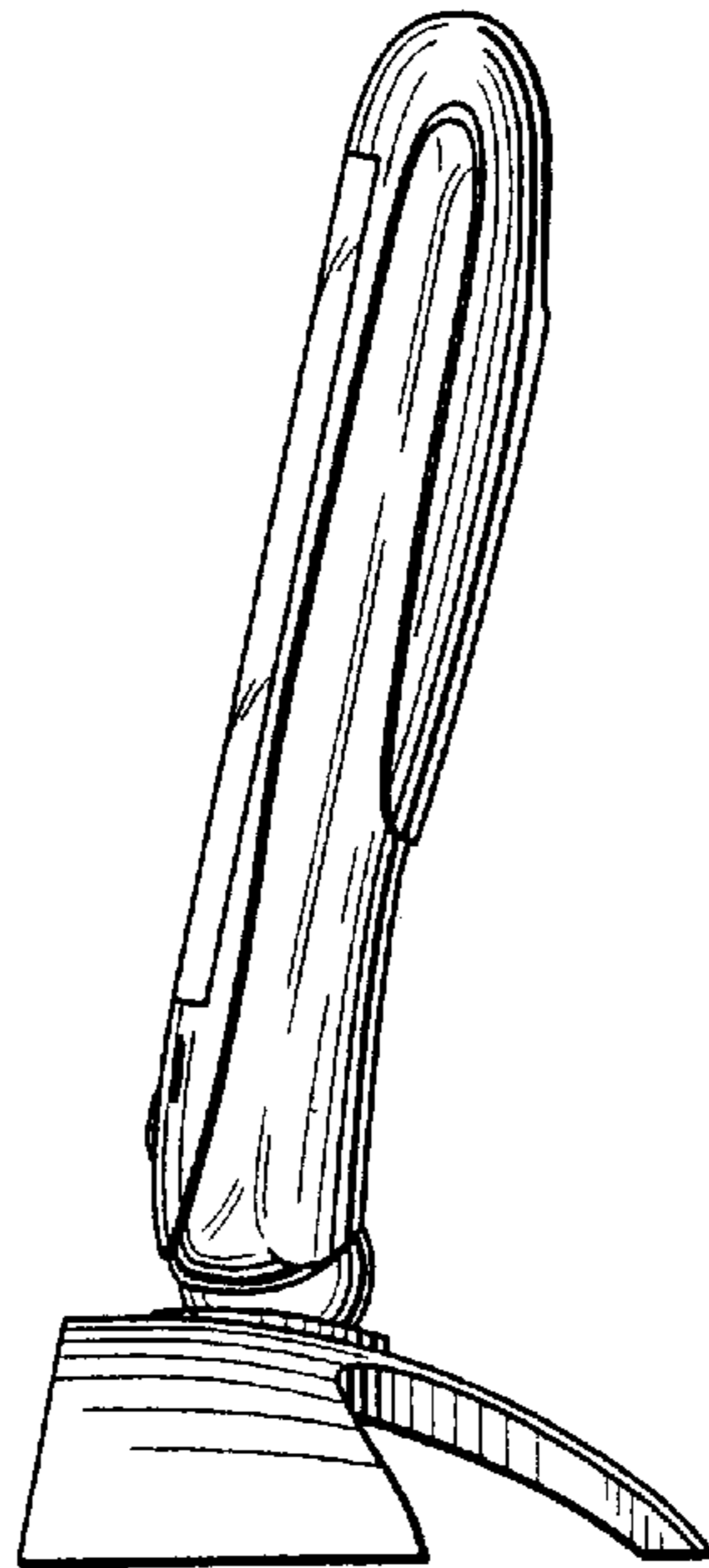


FIG. 8

