



US00D449601B1

(12) **United States Design Patent**
Baldwin et al.

(10) **Patent No.:** **US D449,601 S**

(45) **Date of Patent:** **** Oct. 23, 2001**

(54) **INTERNET APPLIANCE HAVING A FLAT
PANEL DISPLAY**

5,896,533 * 4/1999 Ramos et al. 709/217
5,964,830 * 10/1999 Durrett 709/200
6,038,594 * 3/2000 Puente et al. 709/217

(75) Inventors: **Travis C. Baldwin**, Raleigh; **David
Wayne Hill**, Cary; **Antonio Latto**,
Raleigh; **John David Swansey**,
Durham, all of NC (US); **Julie Elaine
Tierney**, Renfrew (GB)

* cited by examiner

Primary Examiner—Freda Nunn

(74) *Attorney, Agent, or Firm*—John B. Schelkopf; Andrew
Dillon

(73) Assignee: **International Business Machines
Corporation**, Armonk, NY (US)

(57) **CLAIM**

We claim the ornamental design for an internet appliance
having a flat panel display, as shown and described.

(**) Term: **14 Years**

DESCRIPTION

(21) Appl. No.: **29/127,110**

(22) Filed: **Jul. 31, 2000**

(51) **LOC (7) Cl.** **14-02**

(52) **U.S. Cl.** **D14/336; D14/374**

(58) **Field of Search** D14/371, 374,
D14/375, 376, 390, 343, 337, 336, 125-129;
709/217, 200; 345/104, 133, 156, 168,
173; 348/180, 184, 325, 739; 349/1, 2,
11, 62; 248/918-924

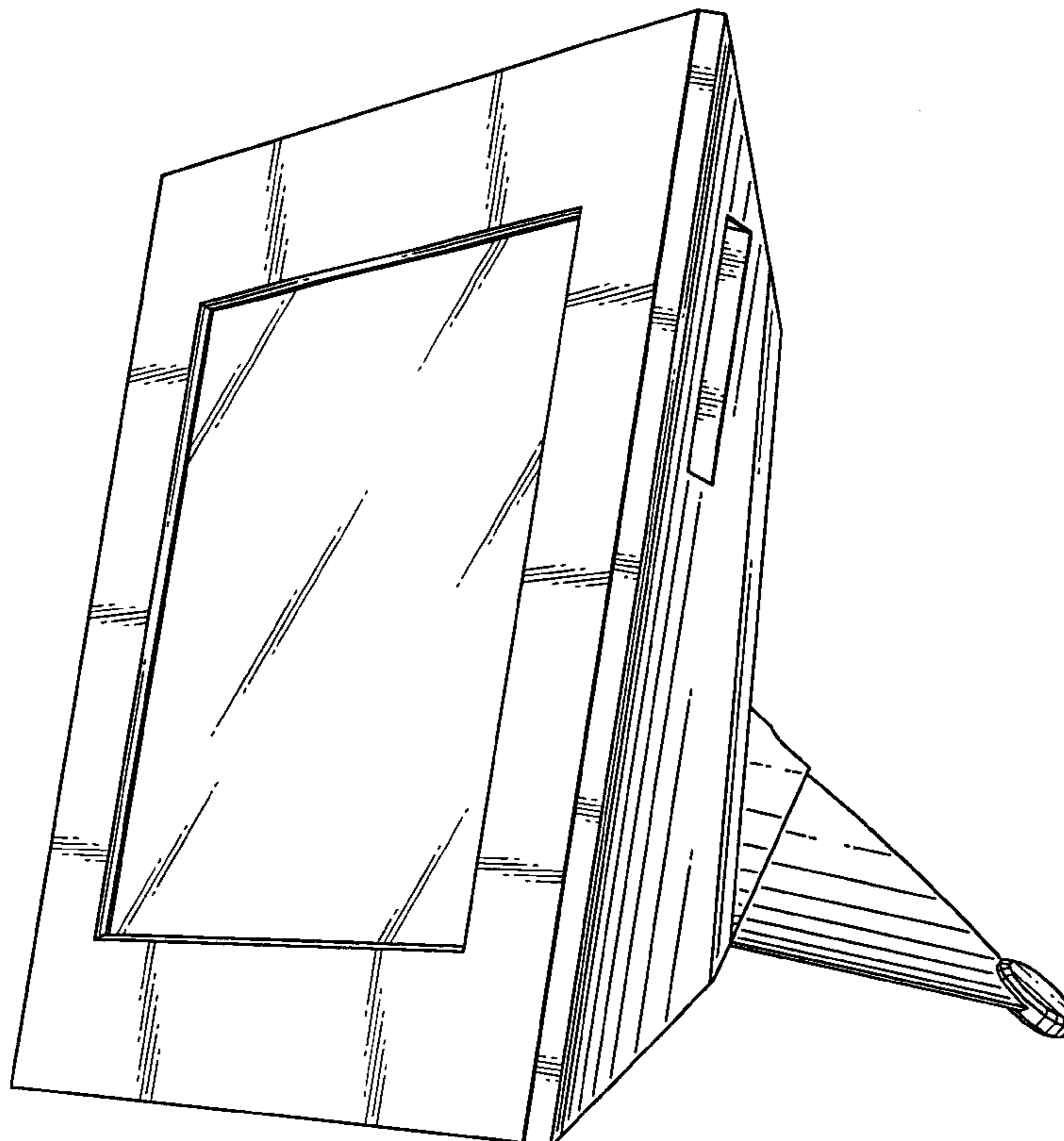
FIG. 1 is a right front perspective view of the internet
appliance of the present invention;
FIG. 2 is a right rear perspective view of the internet
appliance of the present invention;
FIG. 3 is a top view of the internet appliance of the present
invention;
FIG. 4 is a front view internet appliance of the present
invention;
FIG. 5 is a left side view of the internet appliance of the
present invention;
FIG. 6 is a right side view of the internet appliance of the
present invention;
FIG. 7 is a rear view of the internet appliance of the present
invention; and,
FIG. 8 is a bottom view of the internet appliance of the
present invention.

(56) **References Cited**

U.S. PATENT DOCUMENTS

- D. 355,170 * 2/1995 Mizusugi et al. D14/336
- D. 385,857 * 11/1997 Cohen et al. D14/390
- D. 407,085 * 3/1999 Lytel D14/125
- D. 408,383 * 4/1999 Carter et al. D14/374
- D. 417,201 * 11/1999 Davis D14/343

1 Claim, 5 Drawing Sheets



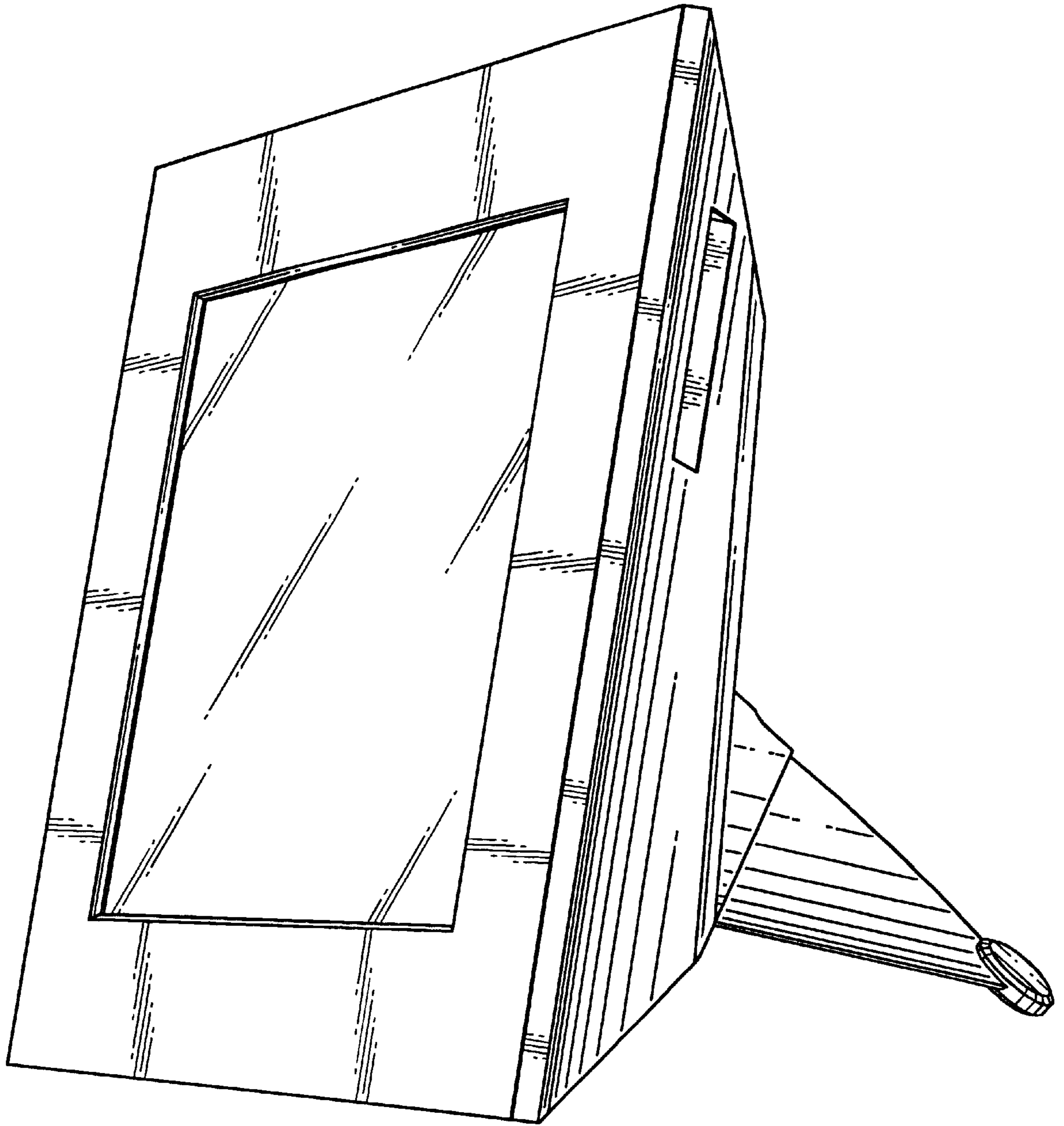


Fig. 1

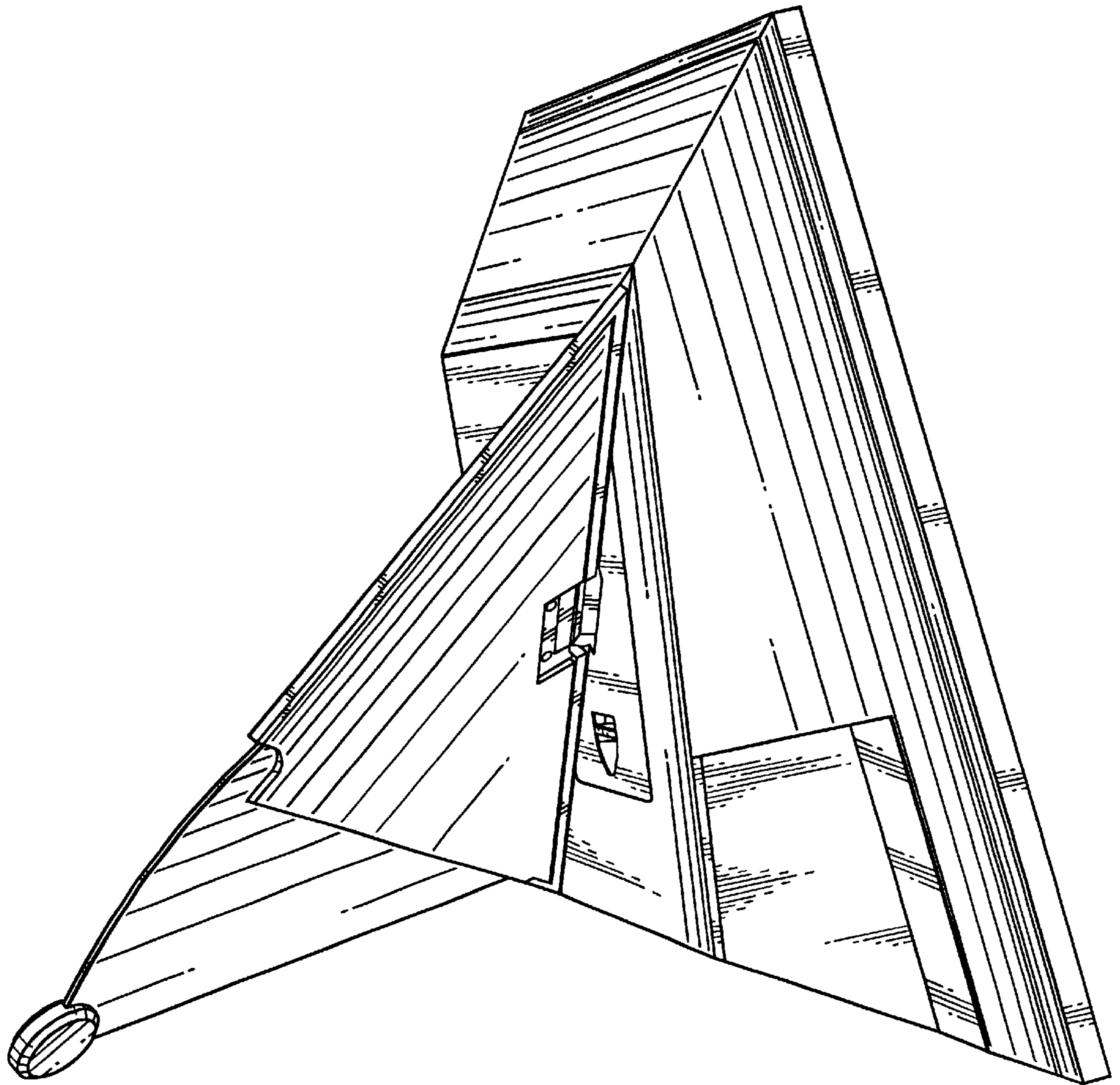


Fig. 2

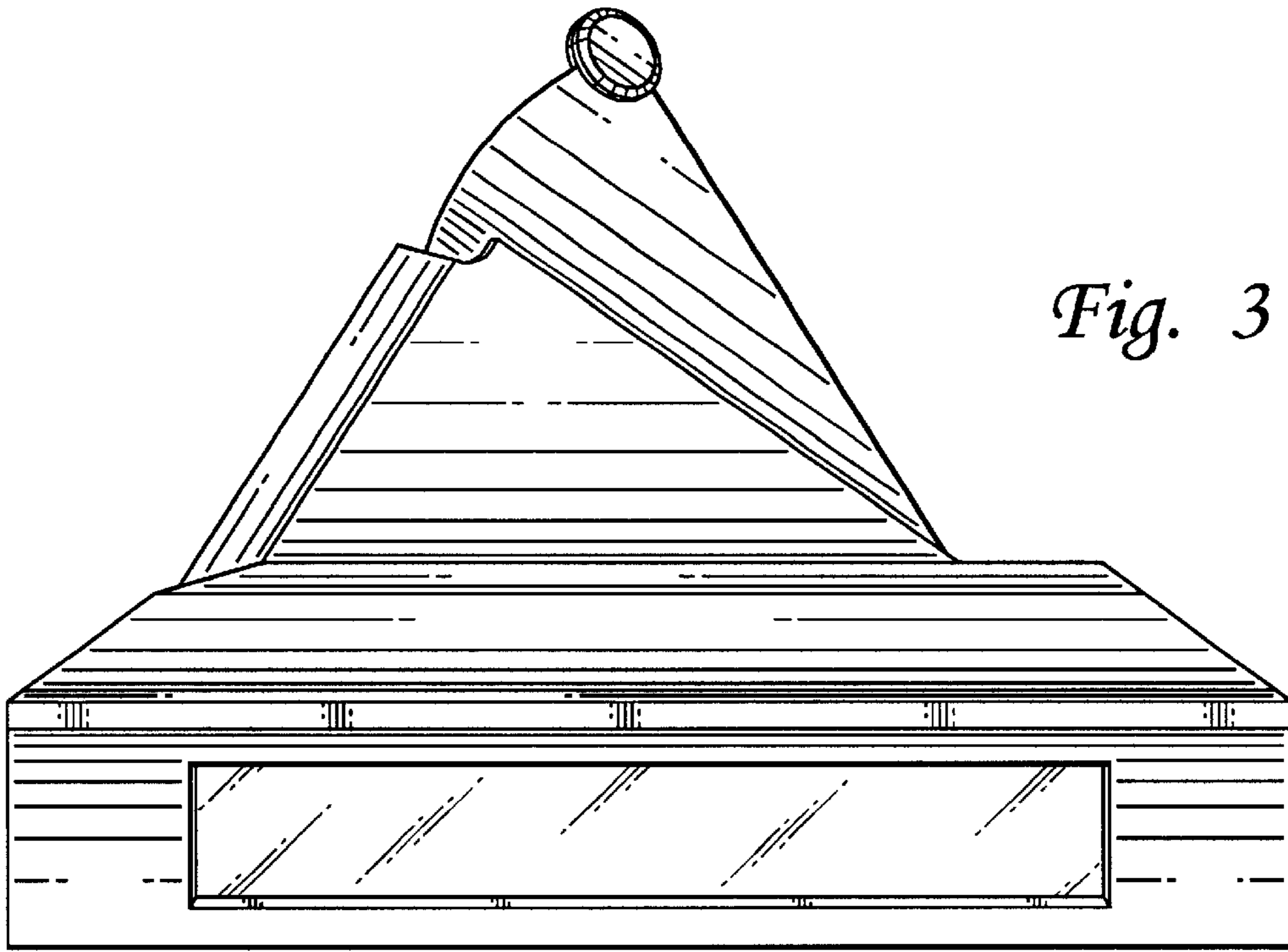


Fig. 3

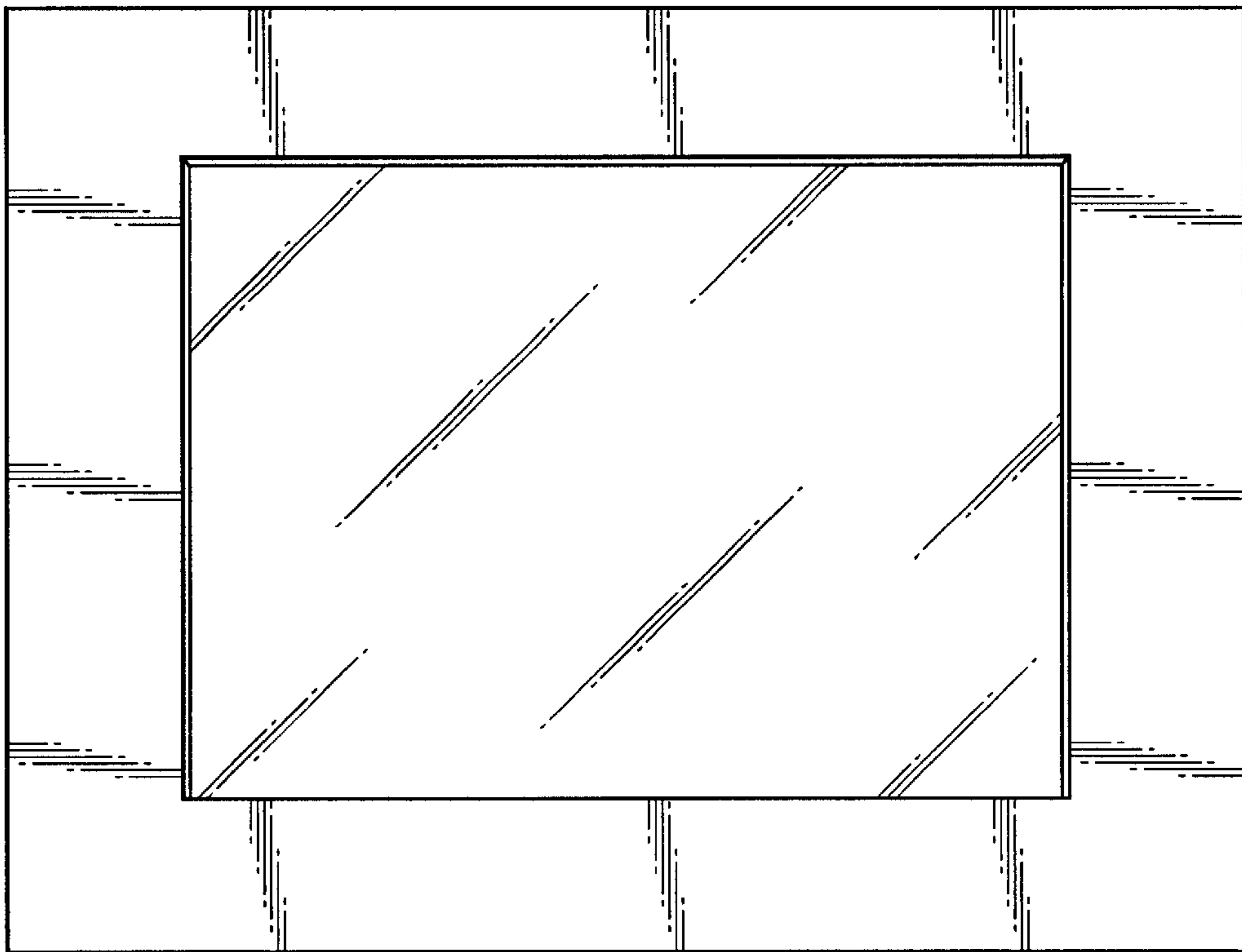


Fig. 4

Fig. 5

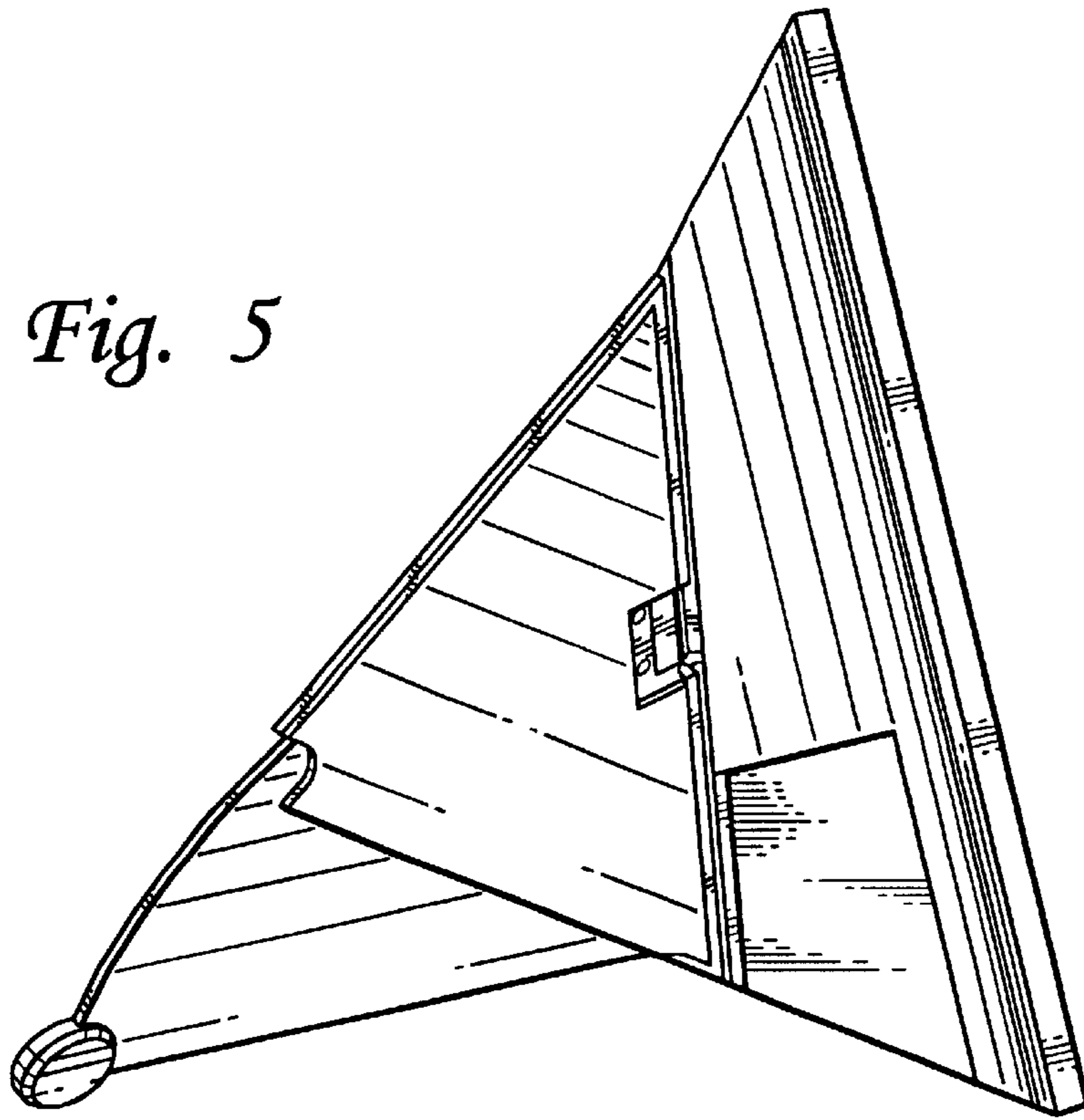
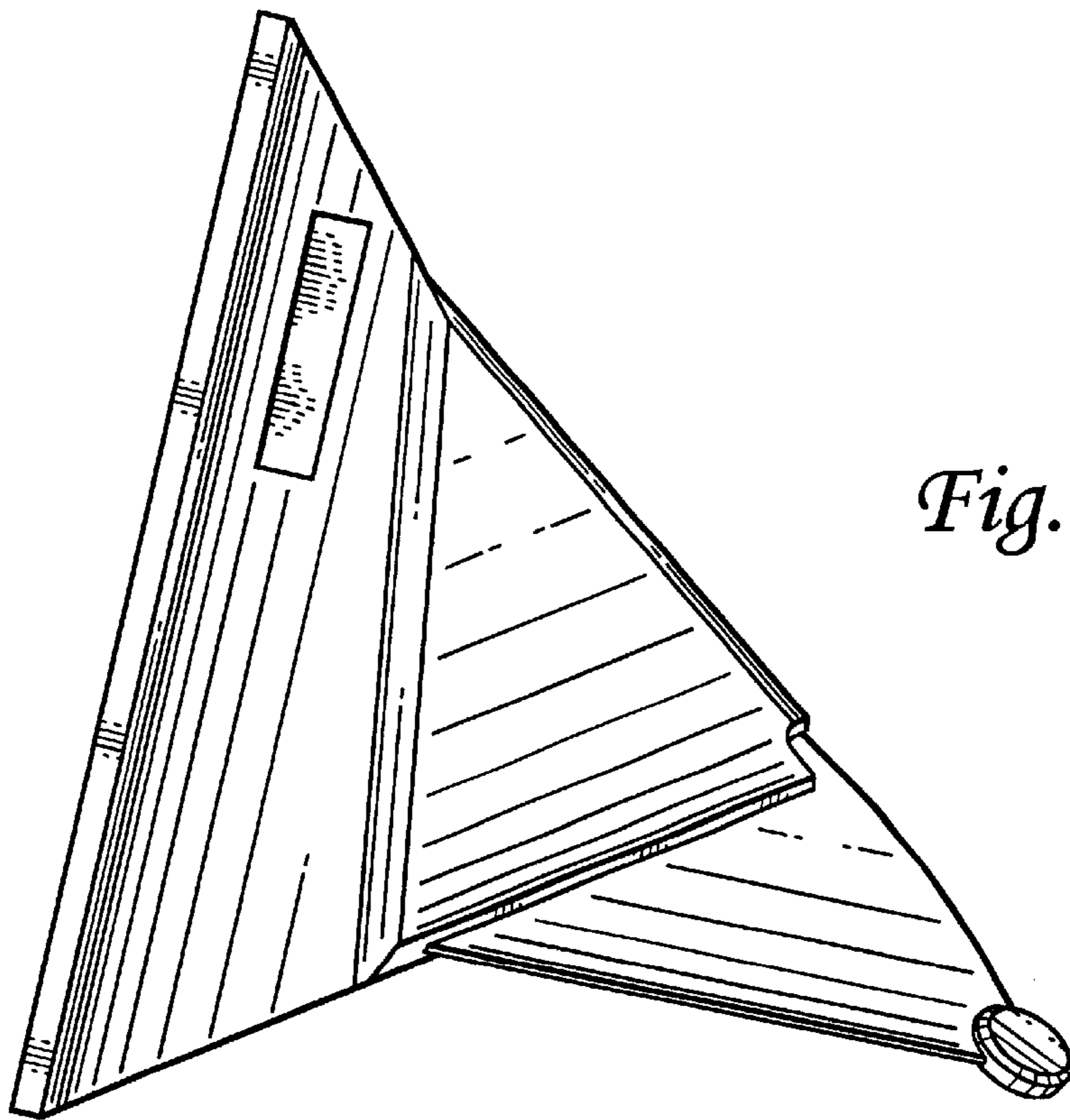


Fig. 6



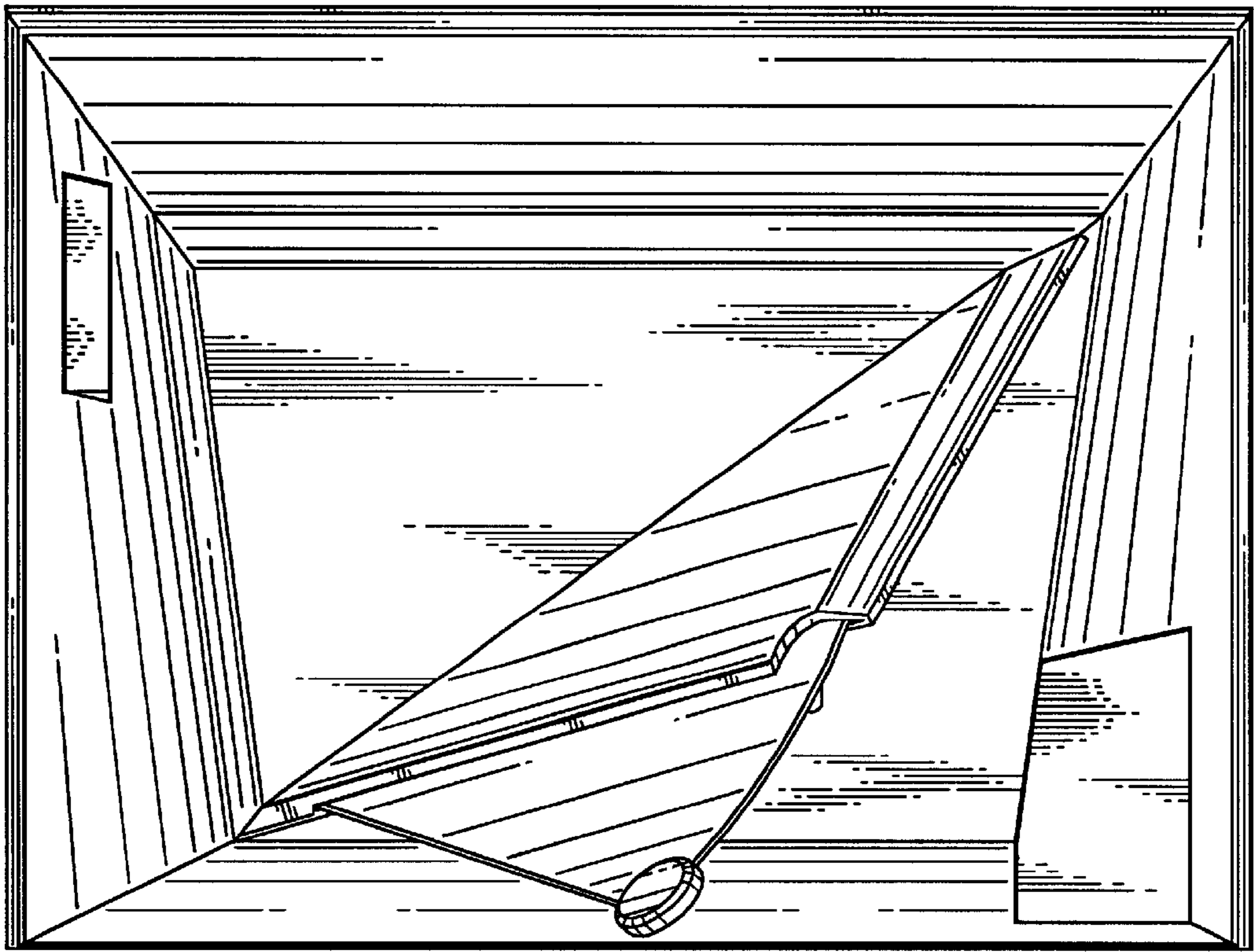


Fig. 7

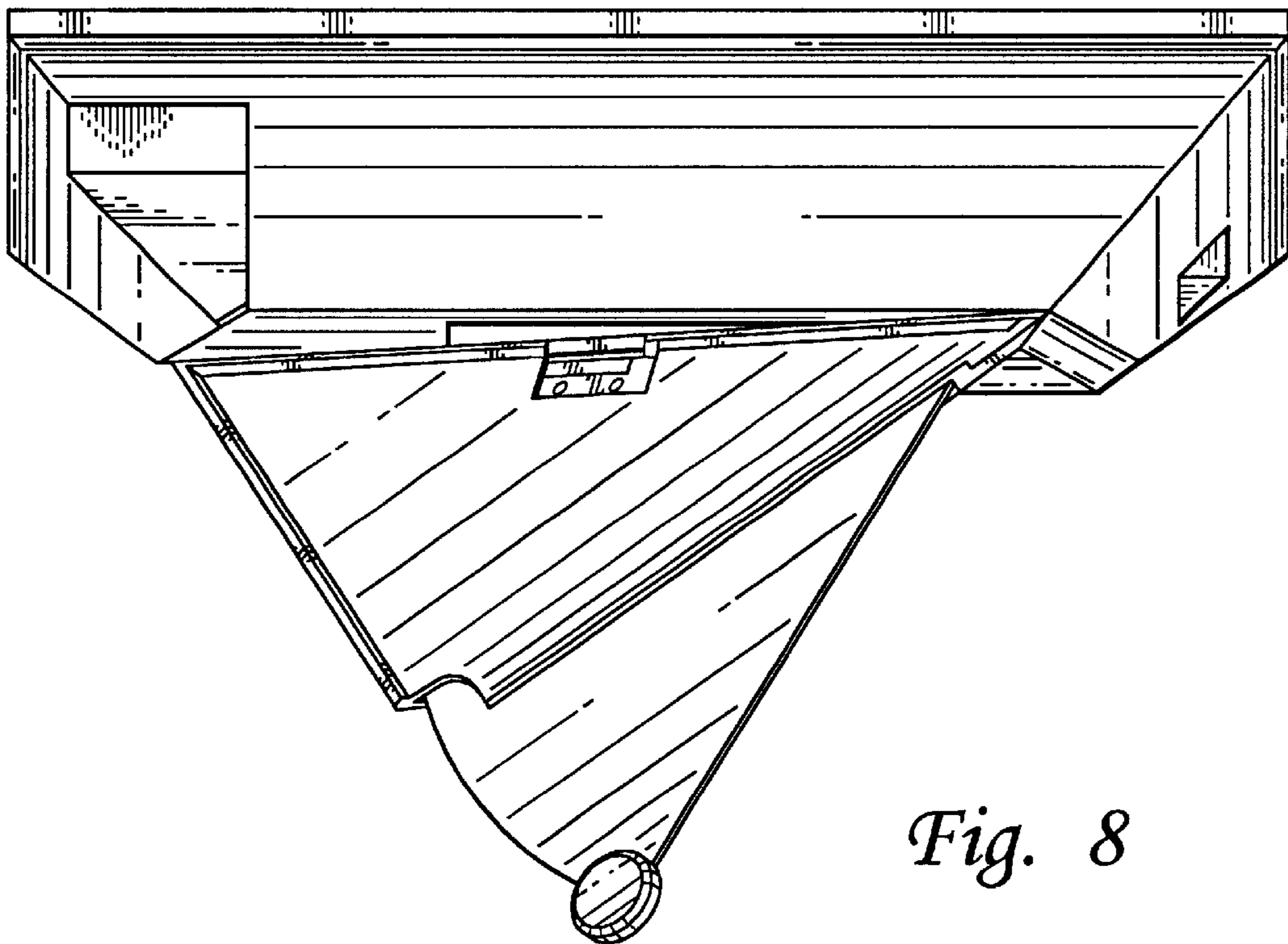


Fig. 8