



US00D449597B1

(12) **United States Design Patent**  
**Tan et al.**

(10) **Patent No.:** **US D449,597 S**

(45) **Date of Patent:** **\*\* Oct. 23, 2001**

(54) **COVER FOR A TELEPHONE**

(75) **Inventors:** **William Tan; Ernesto V. Quinteros,**  
both of Los Angeles, CA (US)

(73) **Assignee:** **Belkin Components, Compton, CA**  
(US)

(\*\*) **Term:** **14 Years**

(21) **Appl. No.:** **29/138,211**

(22) **Filed:** **Mar. 8, 2001**

(51) **LOC (7) Cl.** ..... **14-03**

(52) **U.S. Cl.** ..... **D14/248**

(58) **Field of Search** ..... D14/137, 240,  
D14/138, 218, 147-148, 247-248, 249,  
144, 250, 341-347; 379/433.434, 419, 420,  
428, 440; 455/550-575, 90

(56) **References Cited**

**U.S. PATENT DOCUMENTS**

D. 395,316	*	6/1998	Mason	.....	D14/250
D. 396,713	*	8/1998	Nuovo et al.	.....	D14/138
D. 398,930	*	9/1998	Nuovo et al.	.....	D14/250
D. 398,931	*	9/1998	Nuovo et al.	.....	D14/250
D. 405,785	*	2/1999	Vuolteenaho	.....	D14/138
D. 406,583	*	3/1999	Phillips et al.	.....	D14/138
D. 406,585	*	3/1999	Vuolteenaho et al.	.....	D14/138
D. 411,205	*	6/1999	Frye et al.	.....	D14/250
D. 412,329	*	7/1999	Banryu	.....	D14/138
D. 412,710	*	8/1999	Nuovo	.....	D14/250
D. 416,913	*	11/1999	Kolinen	.....	D14/250
D. 420,680	*	2/2000	Curtis	.....	D14/248
D. 425,074	*	5/2000	Frye et al.	.....	D14/248

D. 426,531	*	6/2000	Chikaraishi et al.	.....	D14/138
D. 428,001	*	7/2000	Curtis	.....	D14/248
D. 436,102	*	1/2001	Wu	.....	D14/248
D. 440,952	*	4/2001	Carvalho	.....	D14/138
5,901,367	*	5/1999	Toh	.....	455/575
5,982,881	*	11/1999	Mischenko	.....	379/433
6,016,126	*	1/2000	Holshouser	.....	343/702
6,101,372	*	8/2000	Kubo	.....	455/90
6,108,417	*	8/2000	Thomas et al.	.....	379/433

\* cited by examiner

*Primary Examiner*—Jeffrey Asch

(74) *Attorney, Agent, or Firm*—Bryan Cave LLP

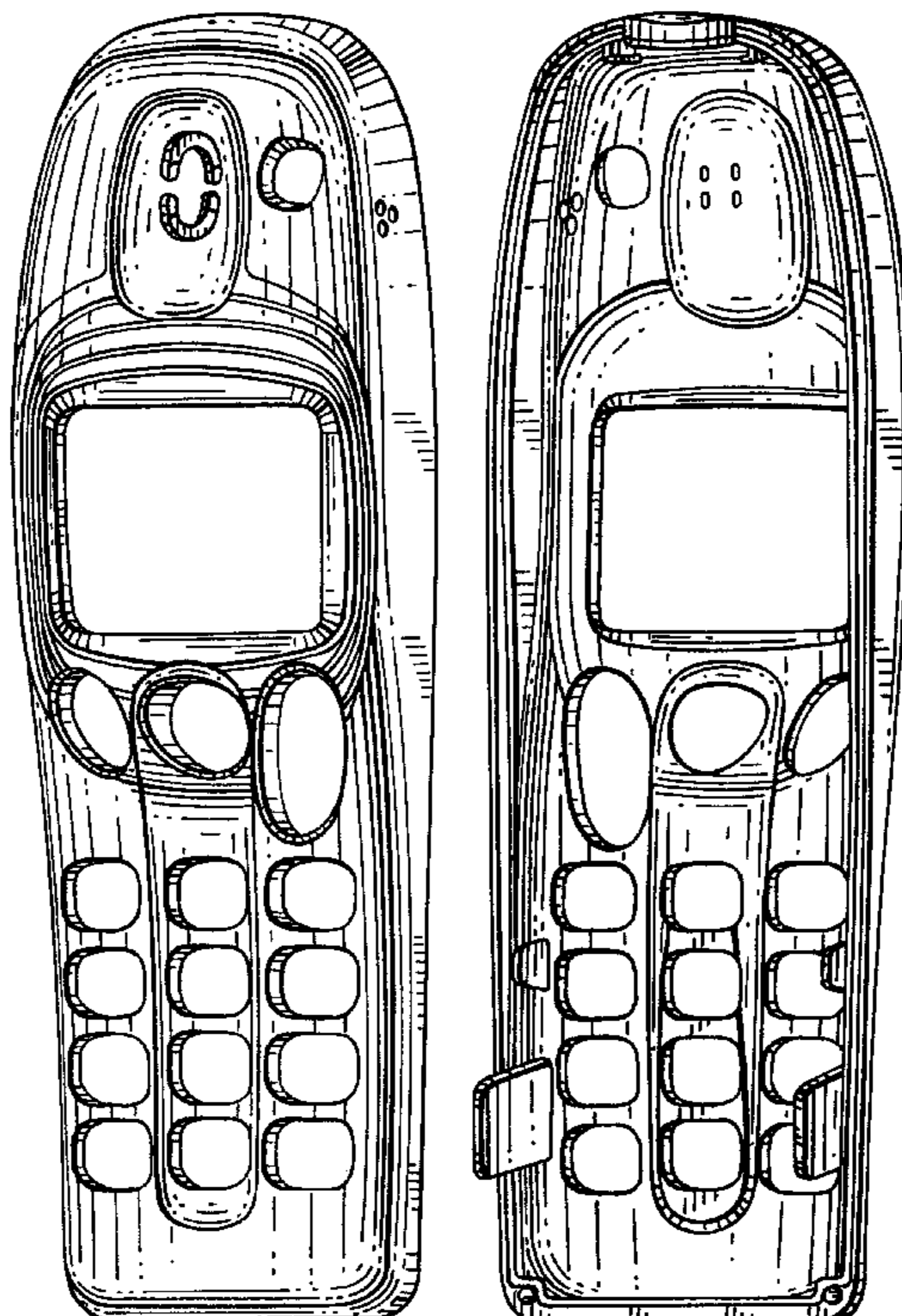
(57) **CLAIM**

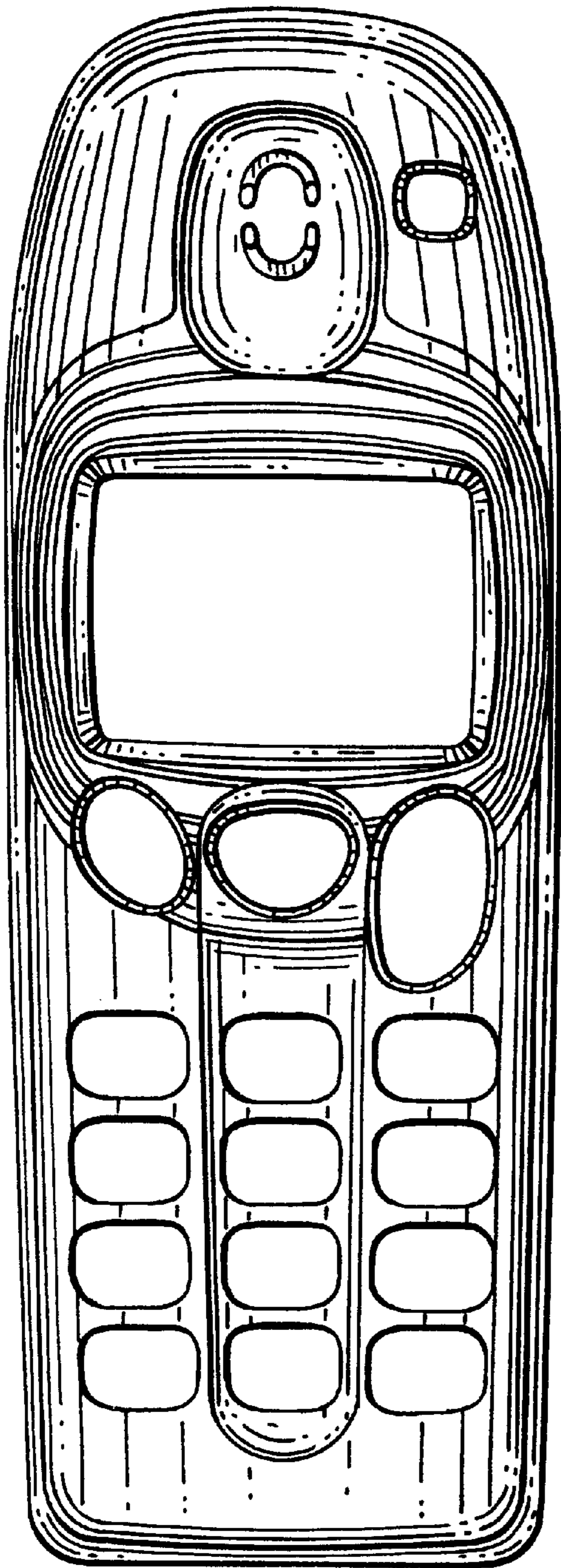
We claim the ornamental design for a cover for a telephone, as shown and described.

**DESCRIPTION**

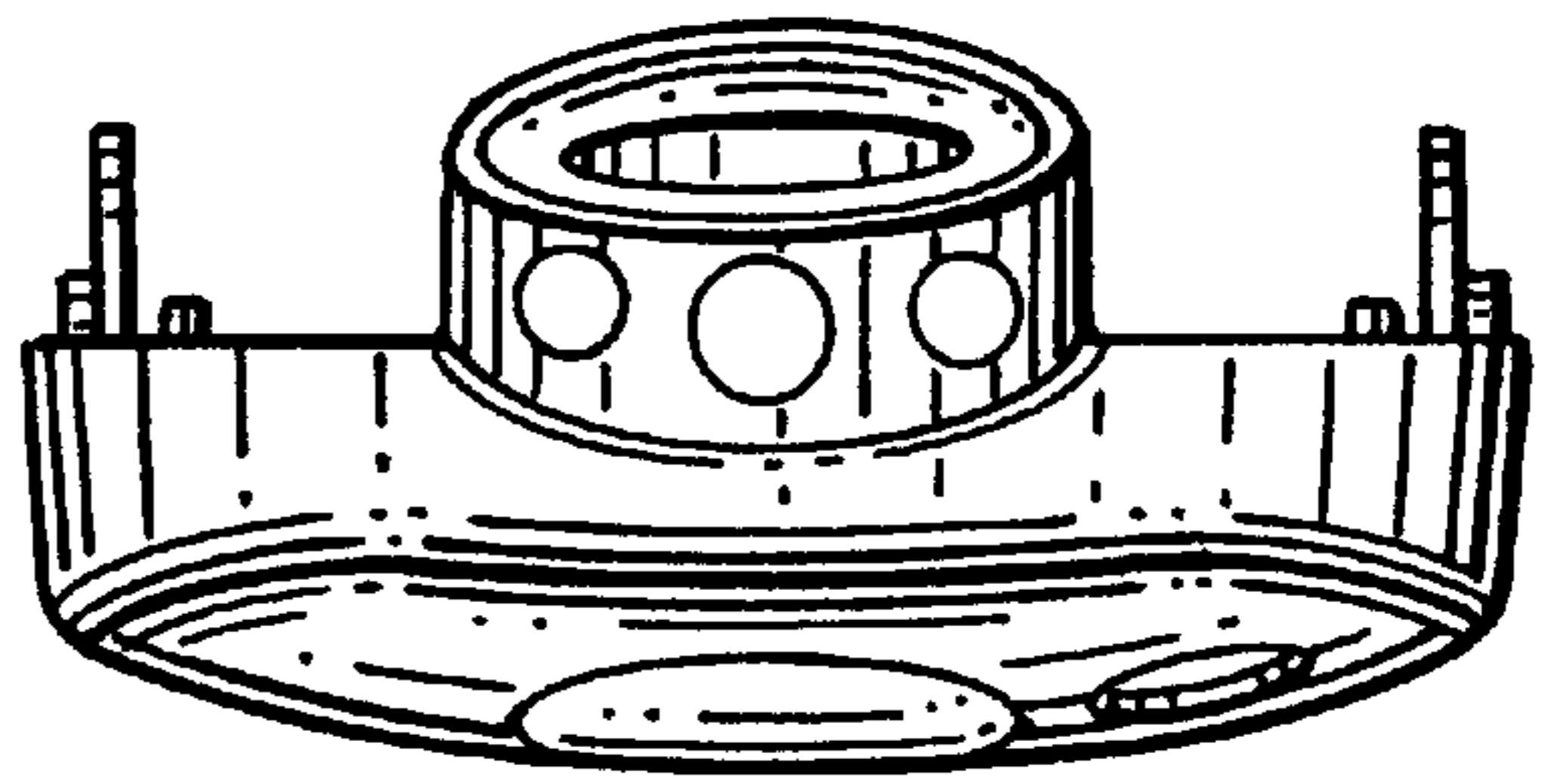
FIG. 1 is a front view of a cover for a telephone showing one new design;  
 FIG. 2 is a top plan view of the cover of FIG. 1;  
 FIG. 3 is a bottom view of the cover of FIG. 1;  
 FIG. 4 is an enlarged side view of the cover of FIG. 1 taken from the right side thereof;  
 FIG. 5 is an enlarged side view of the cover of FIG. 1, similar to FIG. 4, taken from the opposite side;  
 FIG. 6 is an enlarged rear view of the cover of FIG. 1;  
 FIG. 7 is an enlarged front perspective view of the cover of FIG. 1 taken from the same side as FIG. 4; and,  
 FIG. 8 is an enlarged rear perspective view of the cover of FIGS 1 and 7.

**1 Claim, 4 Drawing Sheets**

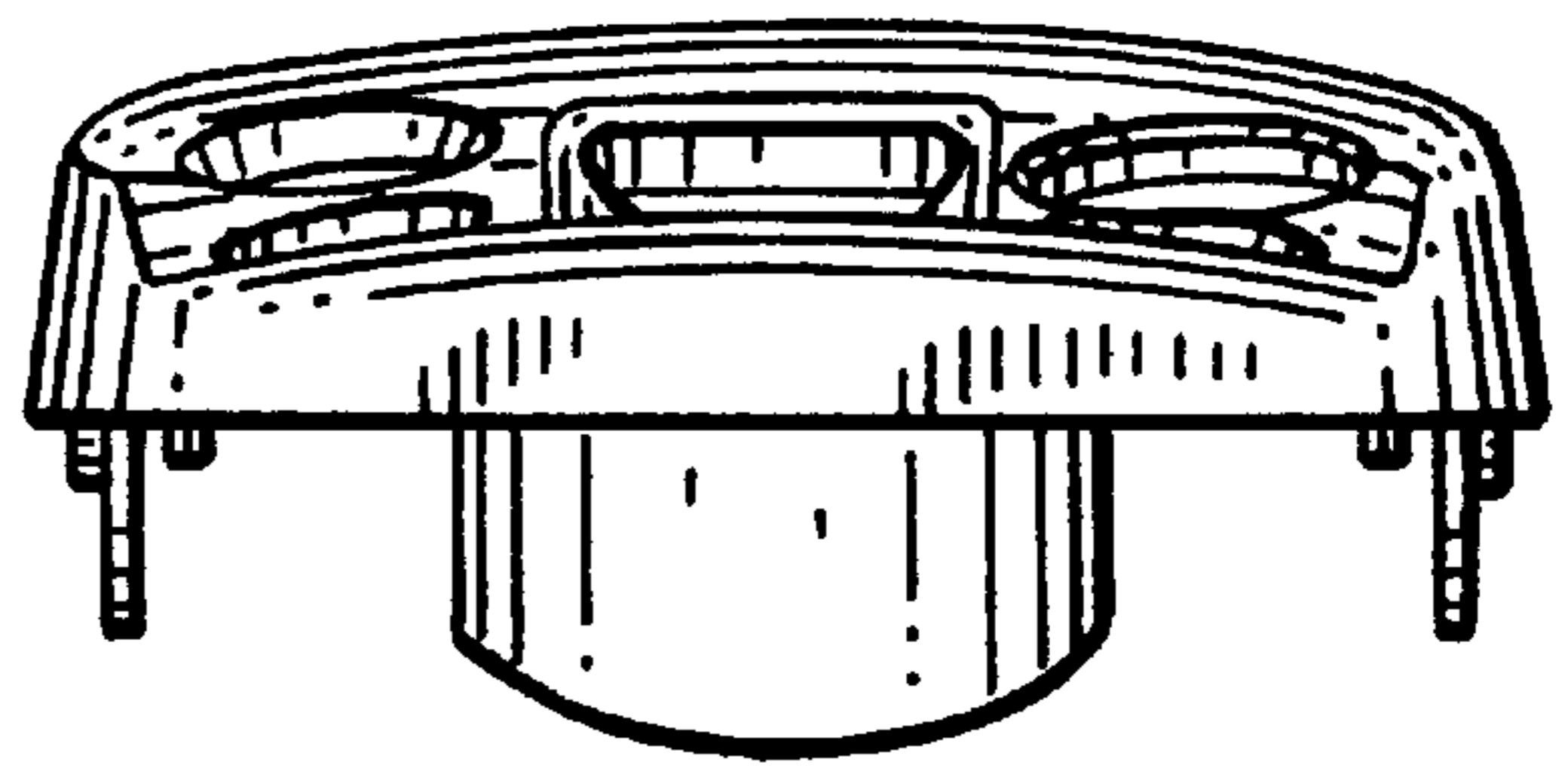




*FIG. 1*



*FIG. 2*



*FIG. 3*

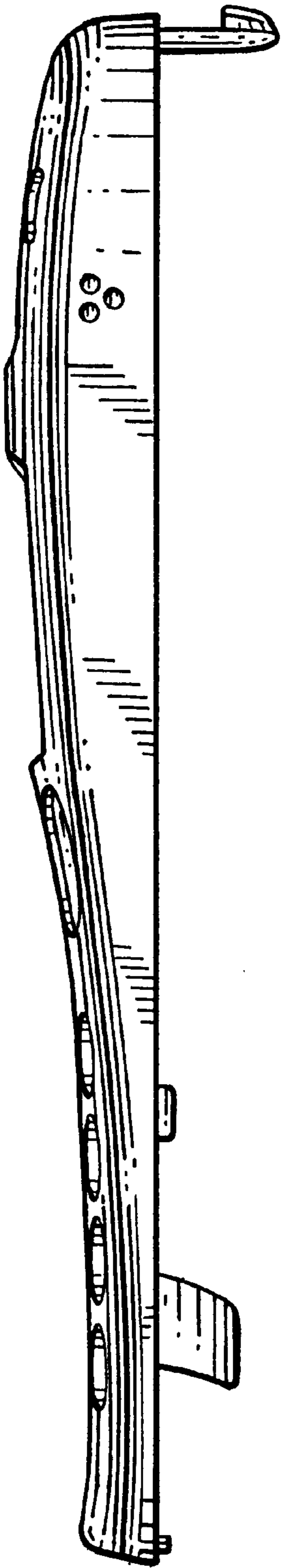


FIG. 4

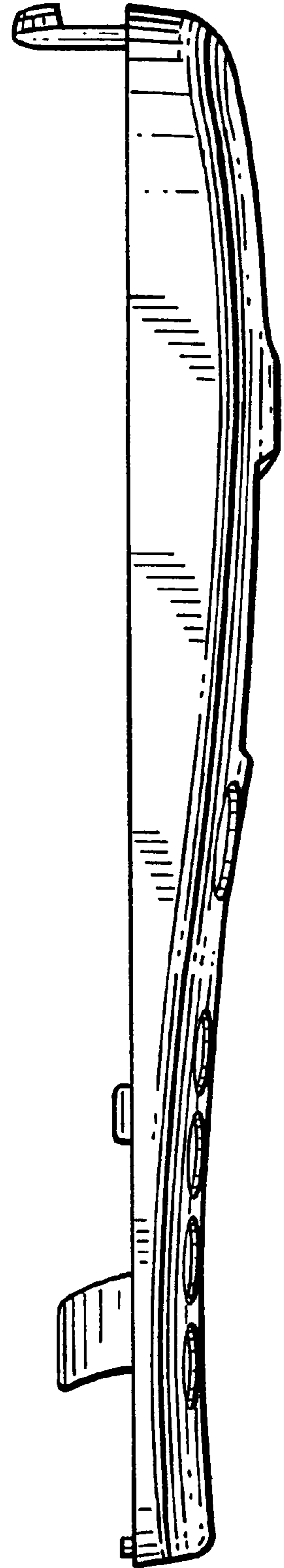
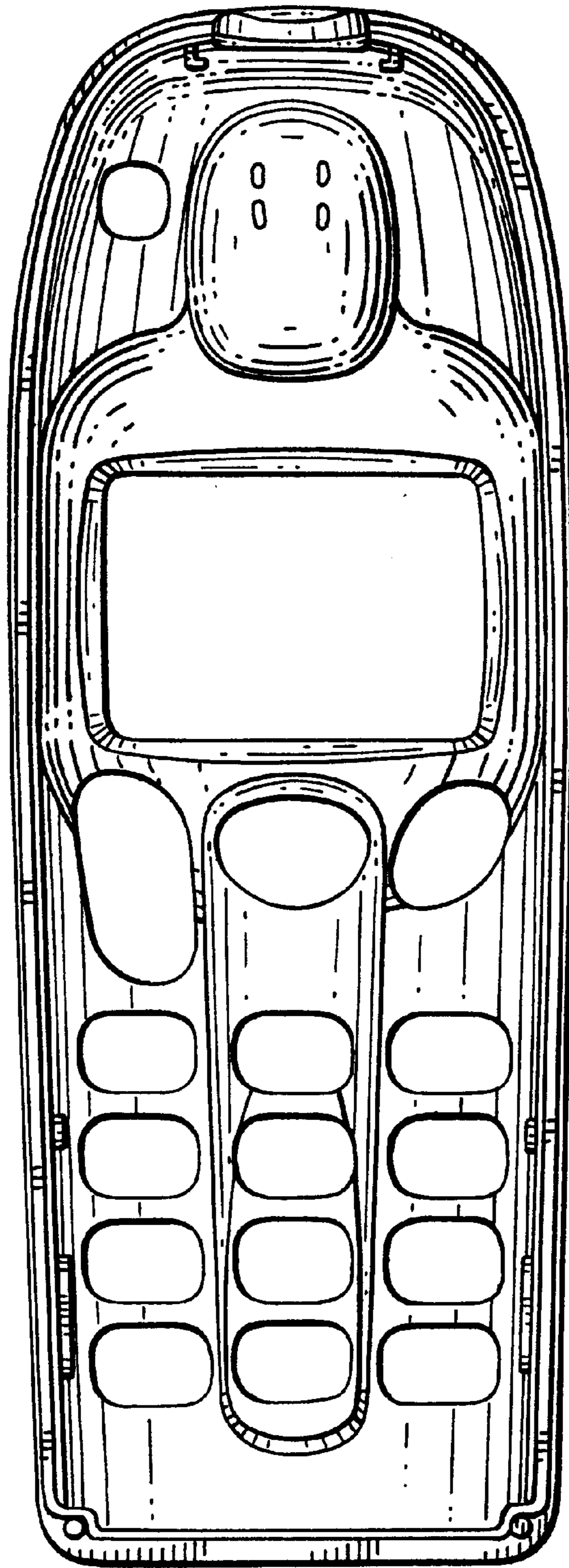


FIG. 5



*FIG. 6*

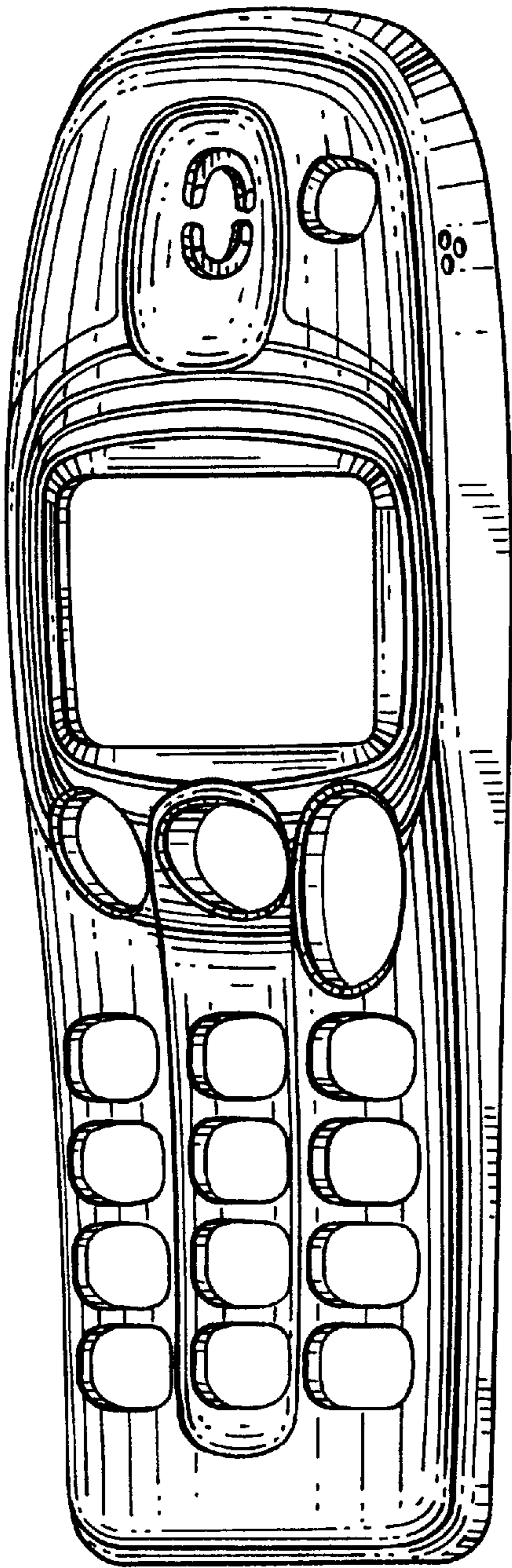


FIG. 7

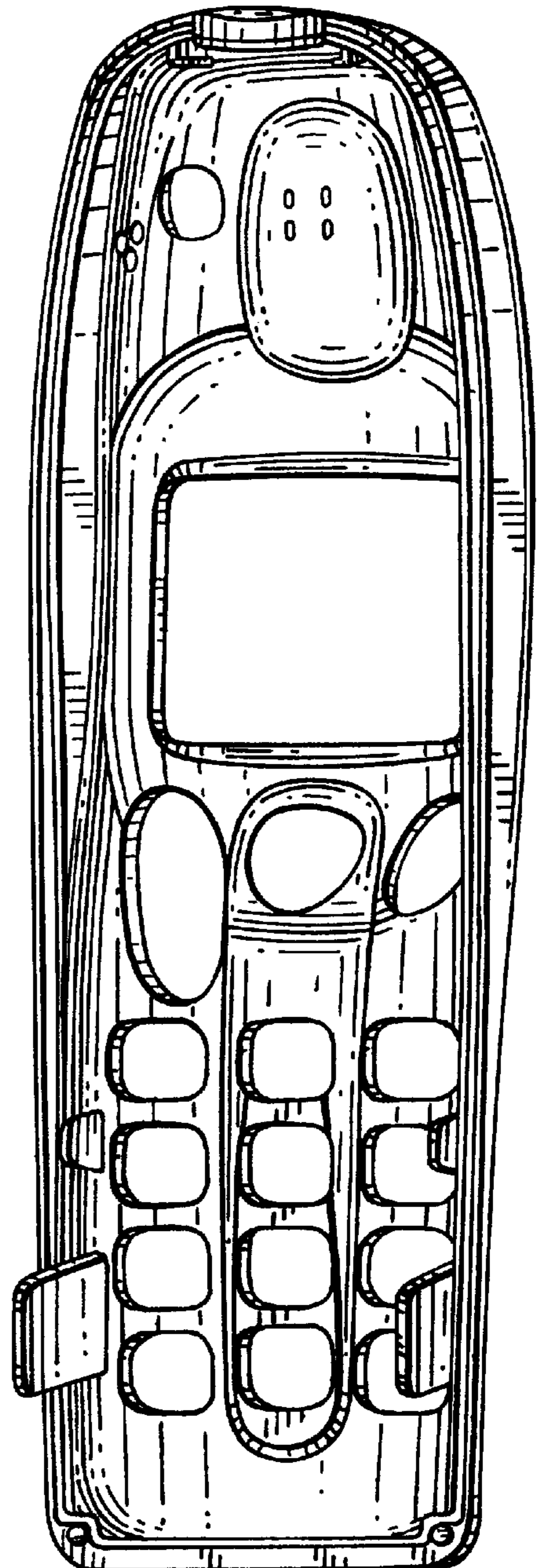


FIG. 8