



US00D449593B1

(12) **United States Design Patent**  
**Schultz**

(10) **Patent No.:** **US D449,593 S**

(45) **Date of Patent:** **\*\* Oct. 23, 2001**

(54) **ANTENNA**

D. 357,021 \* 4/1995 Prince ..... D14/235  
D. 421,610 \* 3/2000 Ghalebi ..... D14/235

(75) **Inventor:** **David Evan Schultz**, Indianapolis, IN  
(US)

\* cited by examiner

(73) **Assignee:** **Thomson Licensing S.A.**,  
Boulogne-Cedex (FR)

*Primary Examiner*—Louis S. Zarfes  
*Assistant Examiner*—Gregory Andoll

(\*\*) **Term:** **14 Years**

(74) *Attorney, Agent, or Firm*—J. S. Tripoli; F. A. Wein

(21) **Appl. No.:** **29/119,850**

(22) **Filed:** **Mar. 9, 2000**

(51) **LOC (7) Cl.** ..... **14-03**

(52) **U.S. Cl.** ..... **D14/235**

(58) **Field of Search** ..... D14/230–238;  
343/805, 808, 809

(57) **CLAIM**

The ornamental design for an antenna, as shown and described.

**DESCRIPTION**

FIG. 1 shows a front view of the antenna; and,  
FIG. 2 shows a top view of the antenna of FIG. 1.

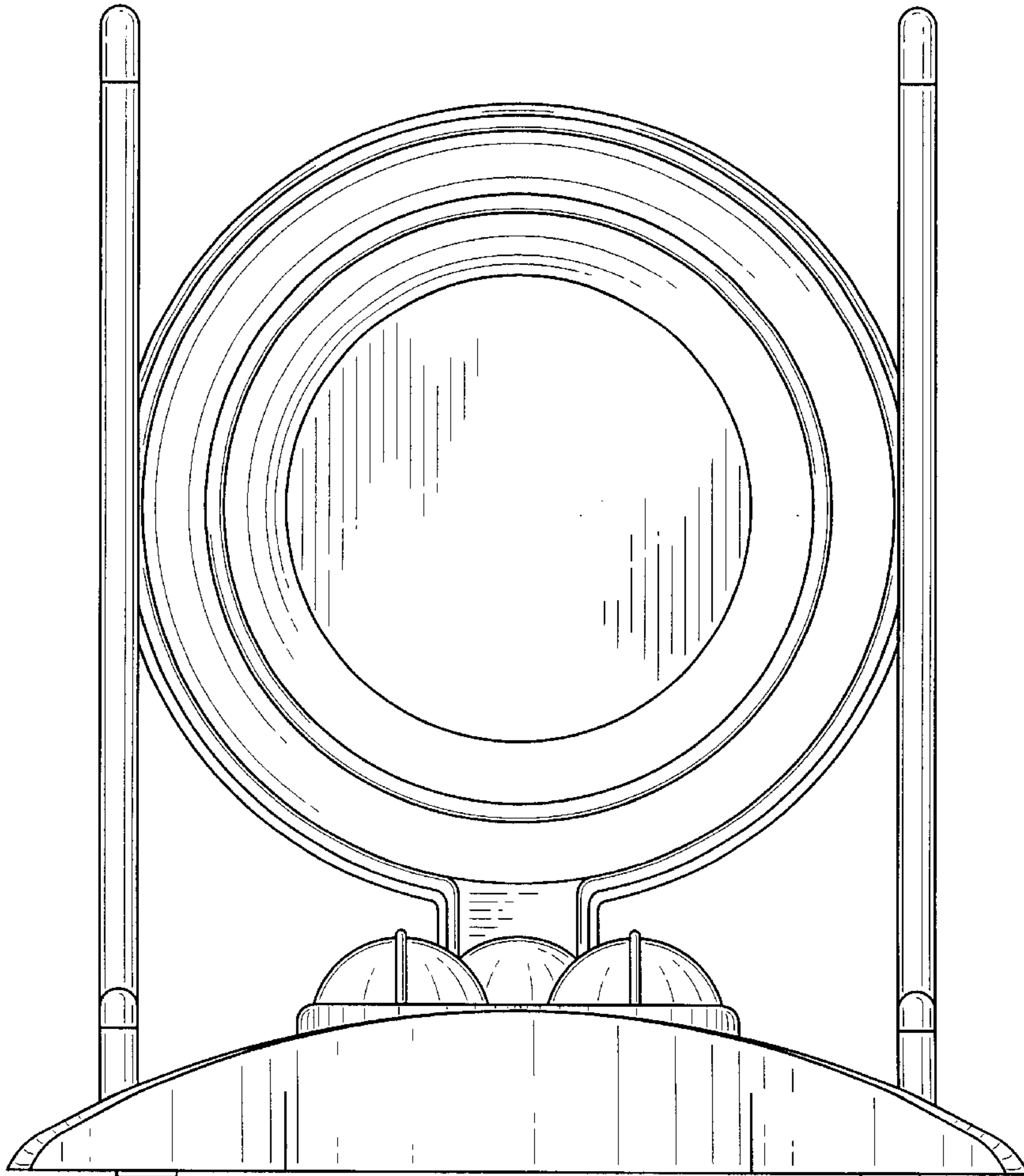
The surfaces of the antenna which are not shown in the drawings or described in the specification form no part of the claimed design.

(56) **References Cited**

**U.S. PATENT DOCUMENTS**

D. 347,010 \* 5/1994 Emmerling ..... D14/230

**1 Claim, 2 Drawing Sheets**



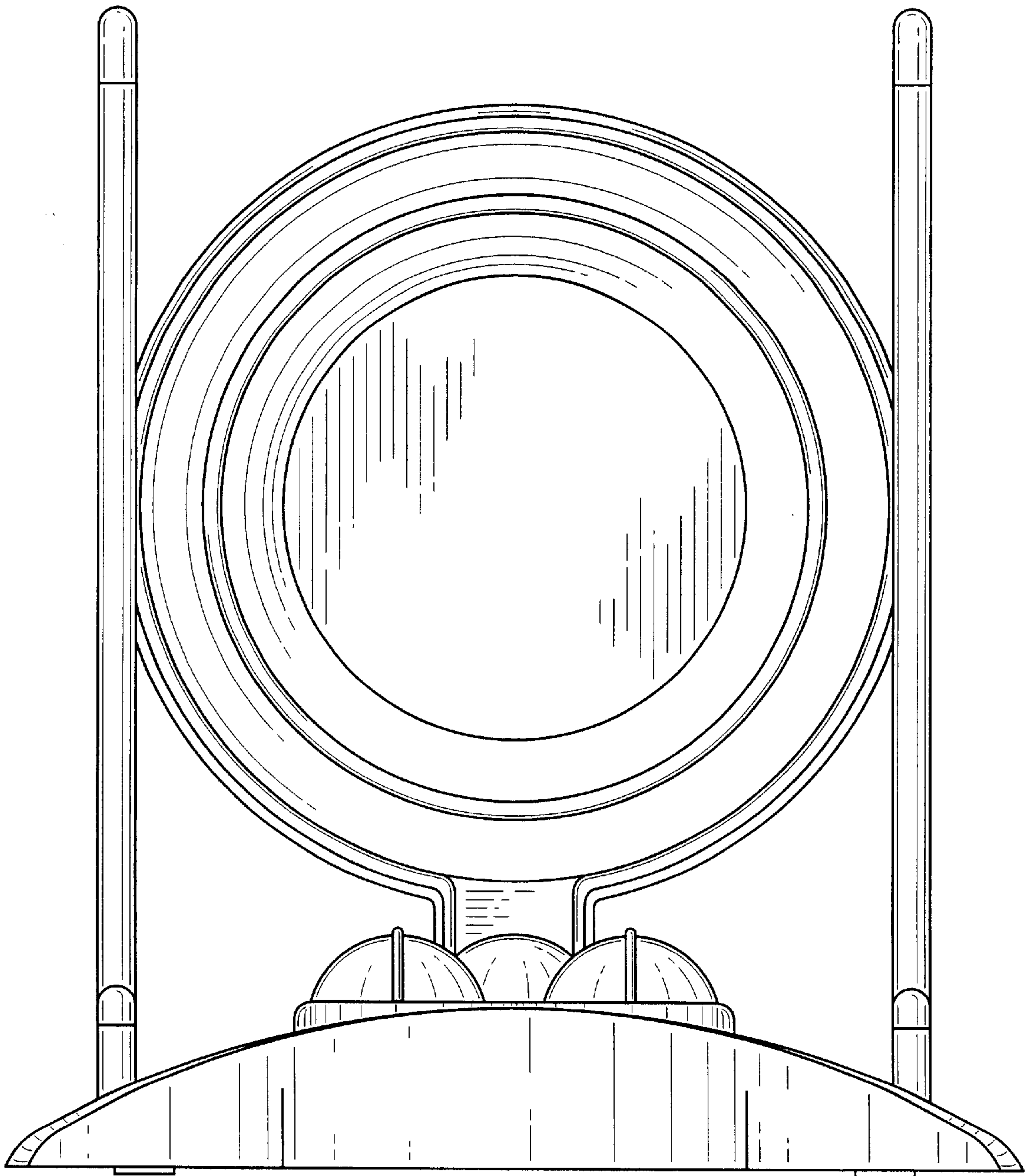


FIG. 1

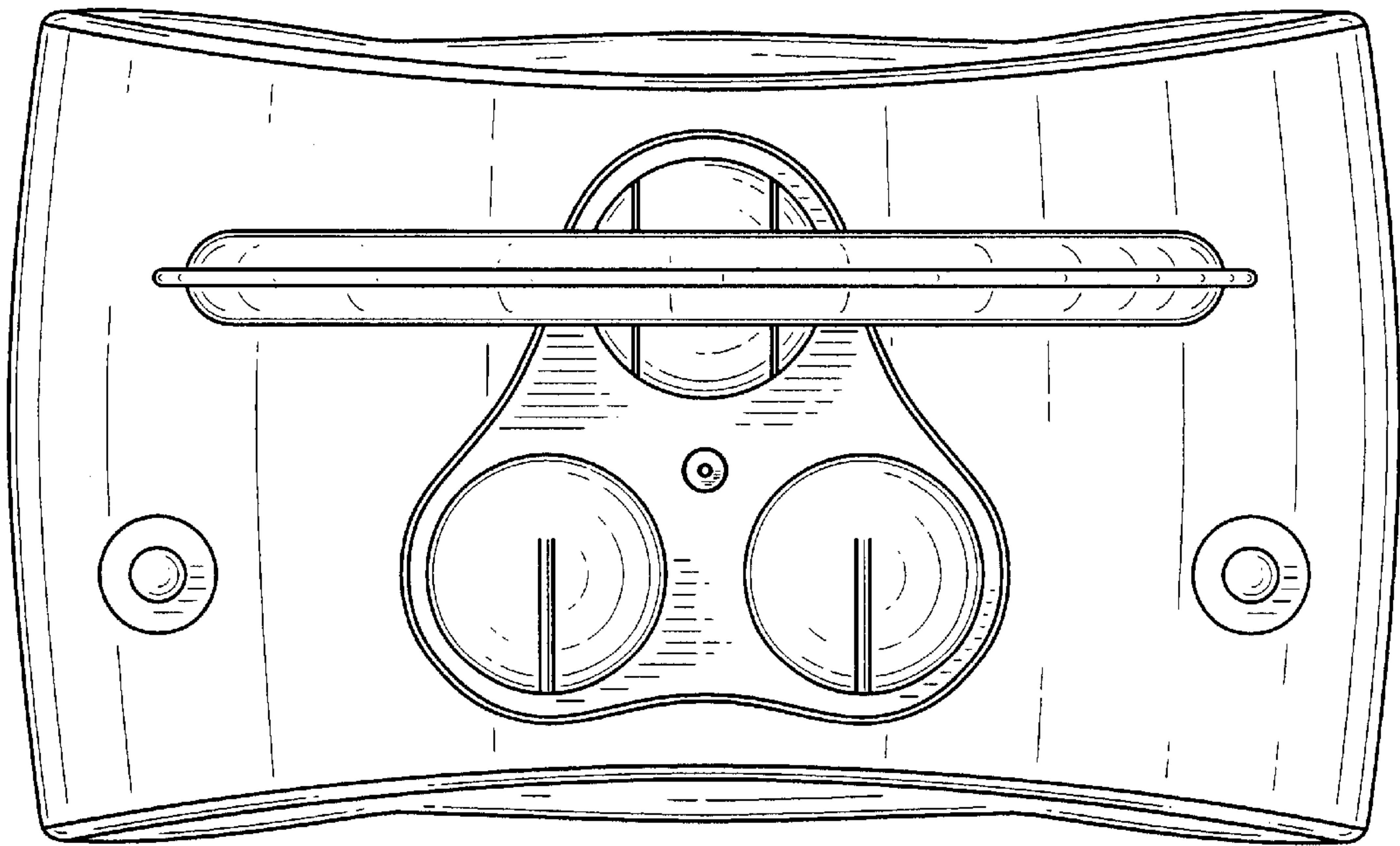


FIG. 2