



US00D449592B1

(12) **United States Design Patent**
Koss et al.

(10) **Patent No.: US D449,592 S**

(45) **Date of Patent: ** Oct. 23, 2001**

(54) **STEREOPHONE EAR PLUG INSERT**

(75) Inventors: **Michael J. Koss**, River Hills; **Allan G. Mlodzikowski**, Muskego, both of WI (US); **Jennifer R. Schneider**, Commerce, MI (US)

(73) Assignee: **Koss Corporation**, Milwaukee, WI (US)

(**) Term: **14 Years**

(21) Appl. No.: **29/114,079**

(22) Filed: **Nov. 17, 1999**

Related U.S. Application Data

(62) Division of application No. 09/257,664, filed on Feb. 25, 1999.

(51) **LOC (7) Cl.** **14-01**

(52) **U.S. Cl.** **D14/223**

(58) **Field of Search** D14/147, 192, D14/205, 206, 223, 224, 249; D24/106, 134, 174; 181/129-131; 128/864, 865

(56) **References Cited**

U.S. PATENT DOCUMENTS

Re. 29,487	12/1977	Garner, Jr.	128/152
D. 299,344	* 1/1989	Stevens	D24/174
D. 377,796	* 2/1997	Hayashi	D14/223
454,138	6/1891	Mercadier	.
1,321,266	11/1919	Wilkinson	181/131
2,715,296	* 8/1955	Pettit	D24/134
3,324,253	6/1967	Uemura et al.	179/115
3,671,685	6/1972	McCabe	179/156
3,811,437	5/1974	Gardner, Jr.	128/152
4,133,984	1/1979	Akiyama	179/197 E

4,403,120	9/1983	Yoshimi	179/182 R
4,429,194	1/1984	Kamon et al.	179/182 R
4,668,842	5/1987	Yokoyama et al.	381/183
4,736,435	4/1988	Yokoyama et al.	381/187
4,770,270 *	9/1988	Grimm	181/131
5,222,151	6/1993	Nagayoshi et al.	381/187
5,498,841 *	3/1996	Allen	181/131
5,659,156	8/1997	Mauney et al.	181/130

FOREIGN PATENT DOCUMENTS

32 10034 A1	3/1982	(DE)	.
58-97398	6/1983	(JP) H04R/1/10
52-110428	2/1986	(JP)	.
171945	2/1990	(MX)	.

* cited by examiner

Primary Examiner—Nanda Bondade

(74) *Attorney, Agent, or Firm*—Whyte Hirschboeck Dudek SC

(57) **CLAIM**

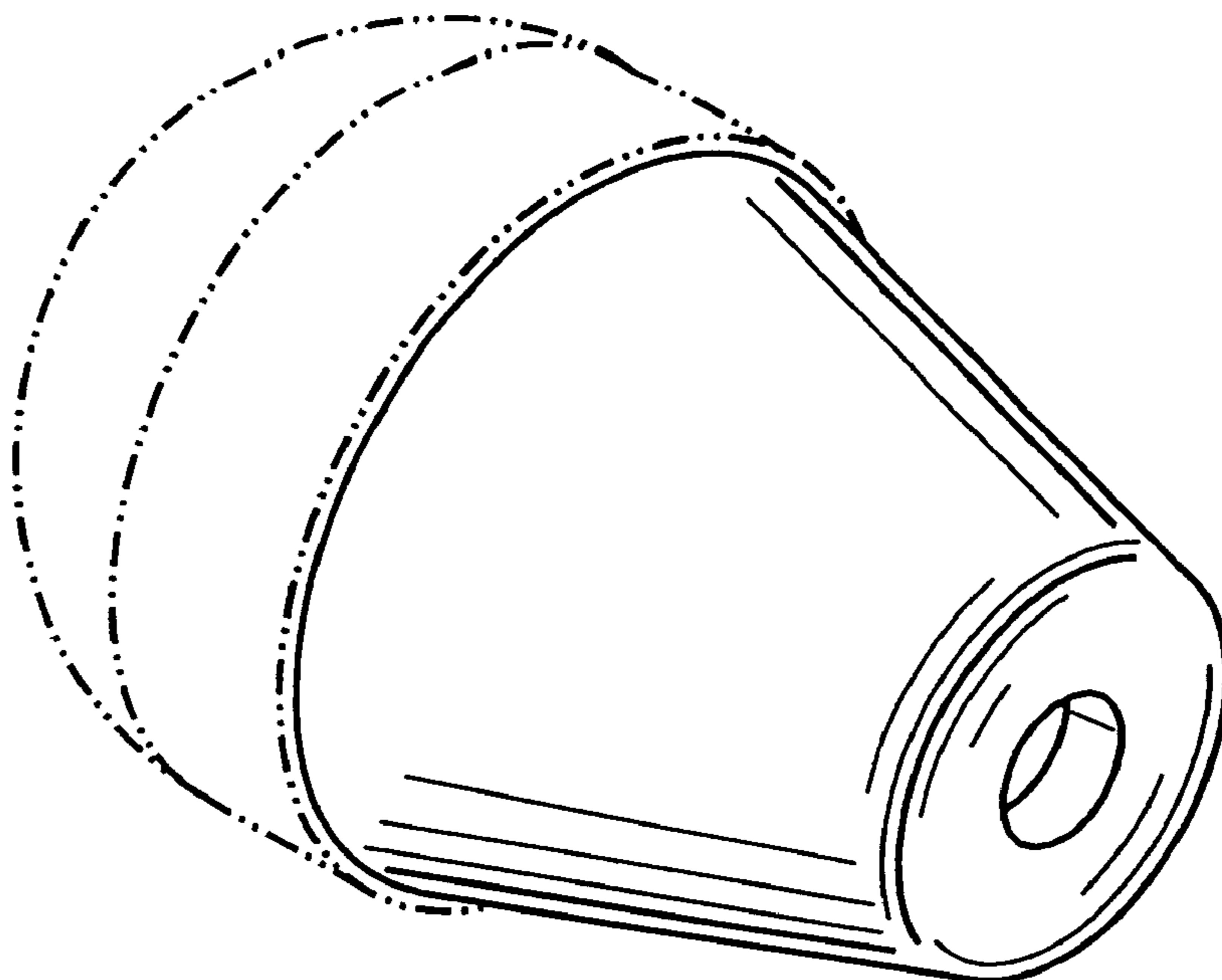
The ornamental design for a stereophone ear plug insert, as shown and described.

DESCRIPTION

FIG. 1 is a front perspective view of a stereophone ear plug insert showing our new design;
FIG. 2 is a side elevational view thereof, with the opposite side being a mirror image;
FIG. 3 is a top plan view thereof;
FIG. 4 is a bottom view thereof; and,
FIG. 5 is a front view thereof.

The broken lines shown in all figures are for illustrative environmental purposes only and form no part of the claimed design.

1 Claim, 2 Drawing Sheets



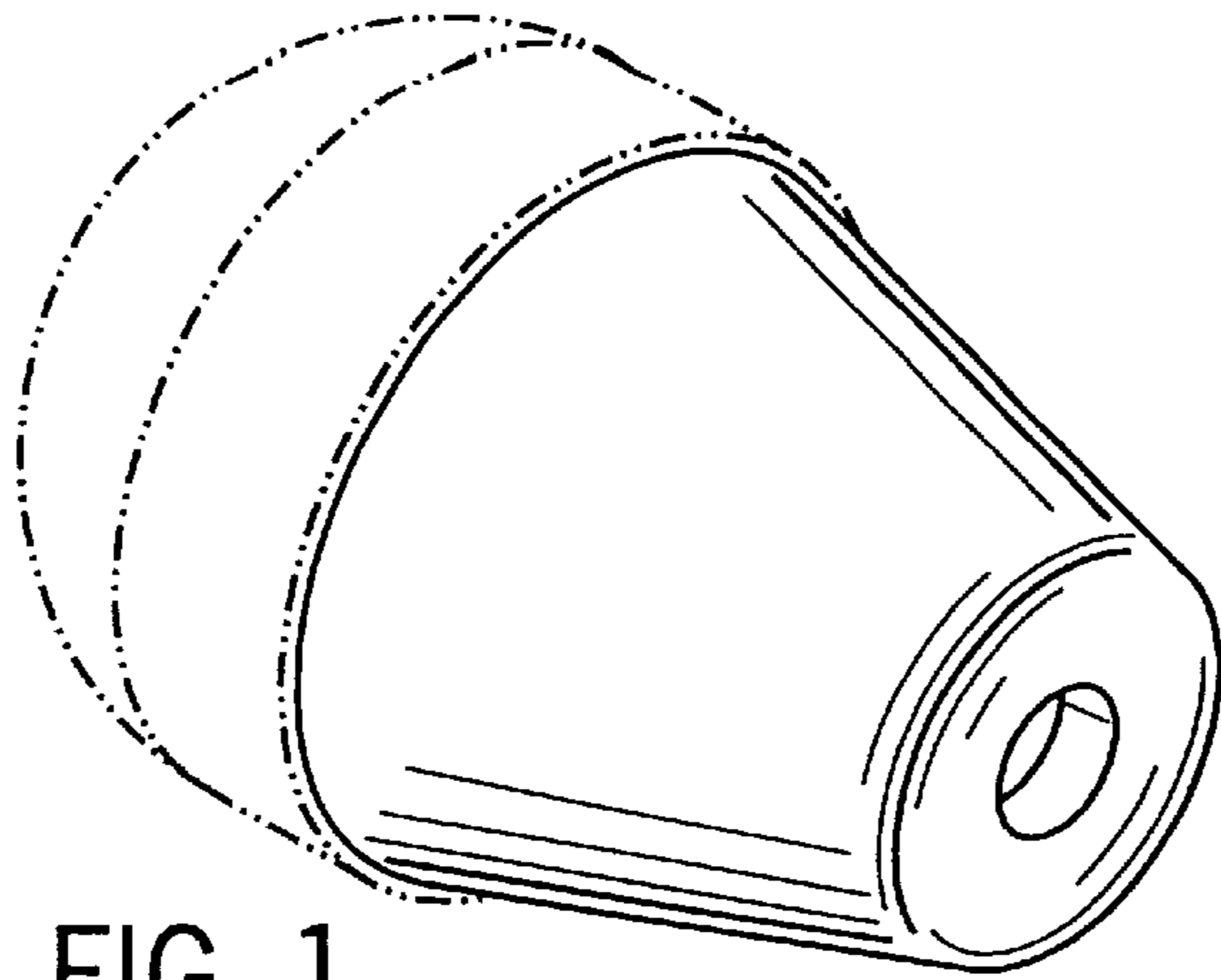


FIG. 1

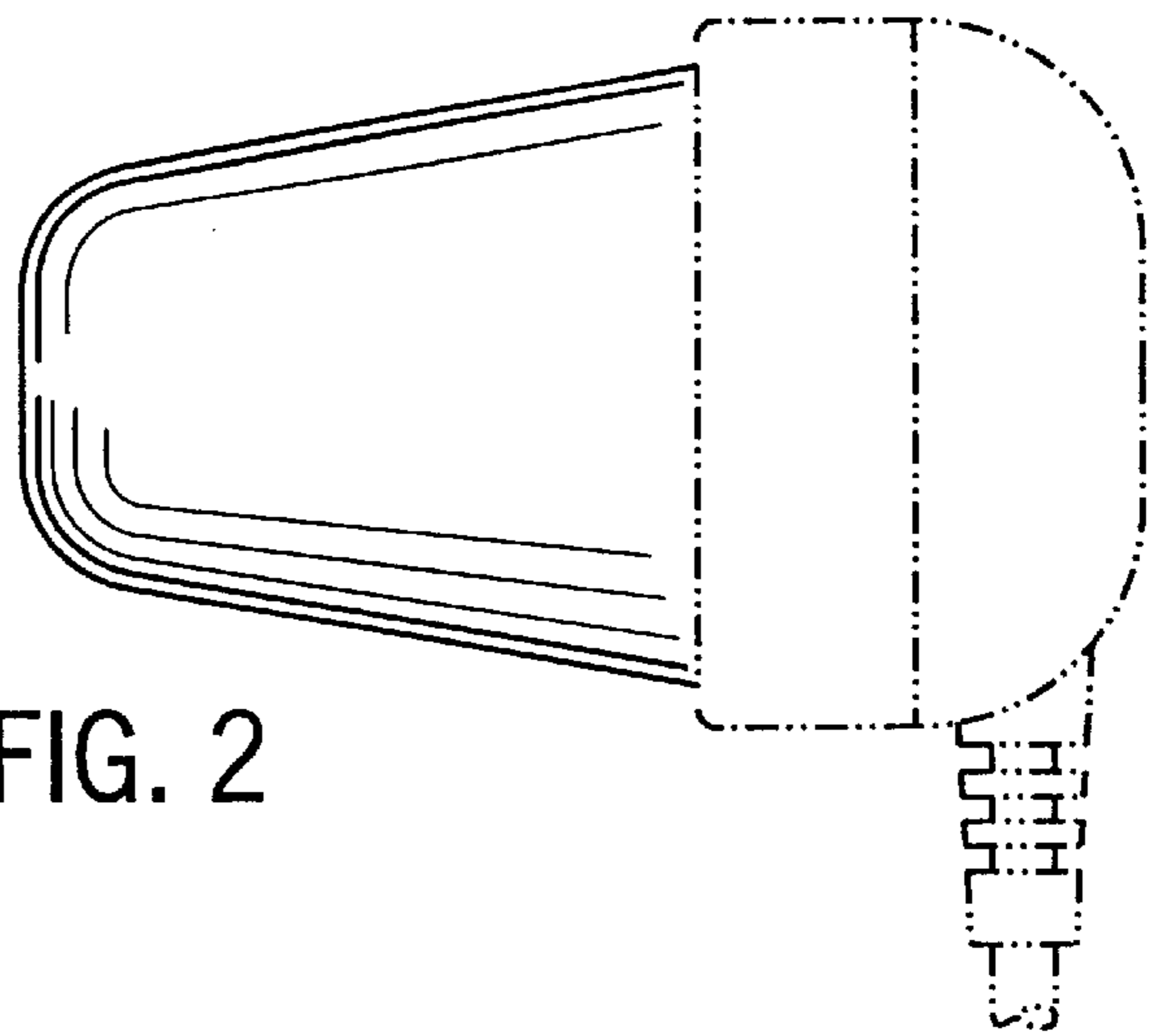


FIG. 2

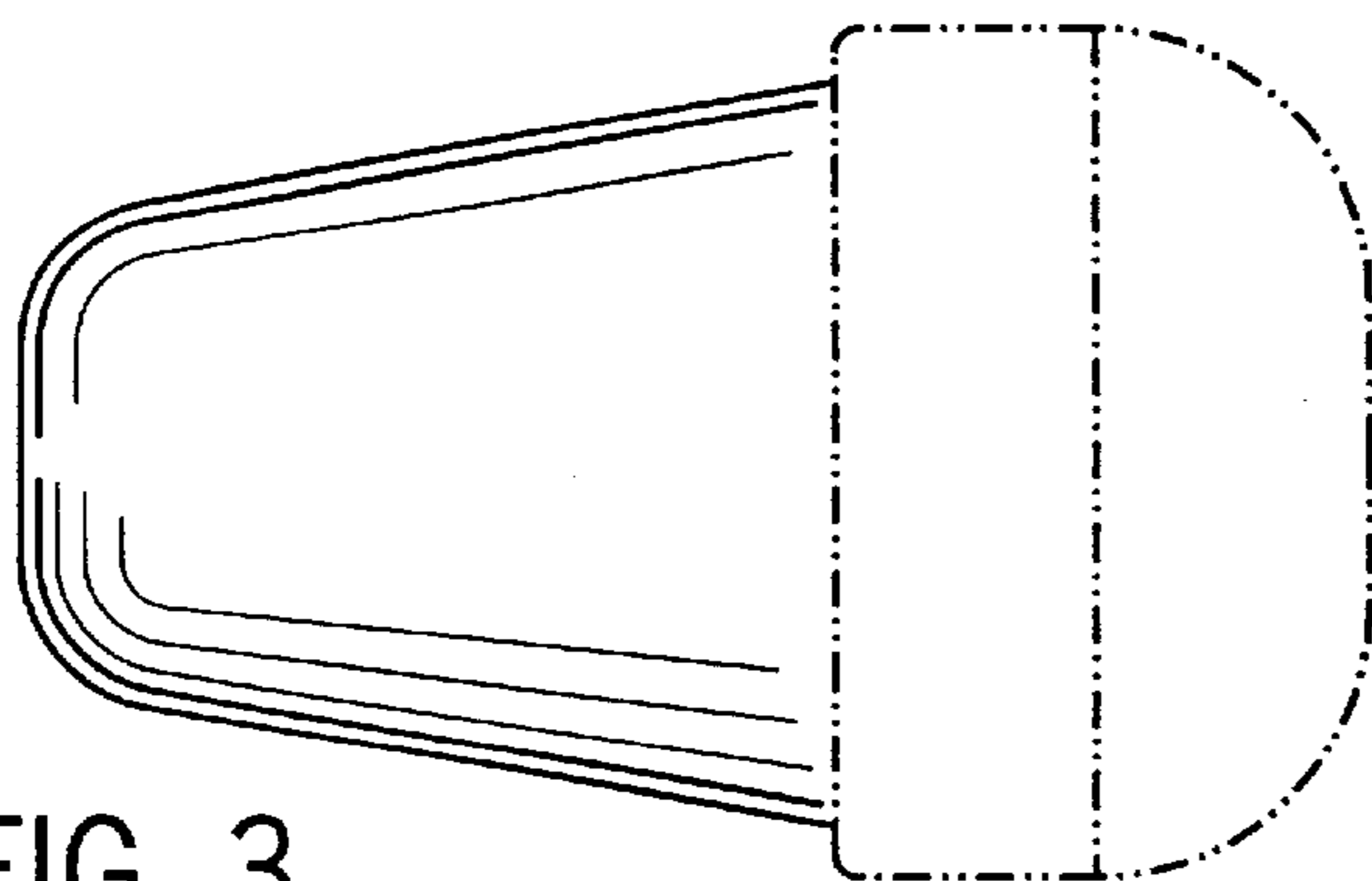


FIG. 3

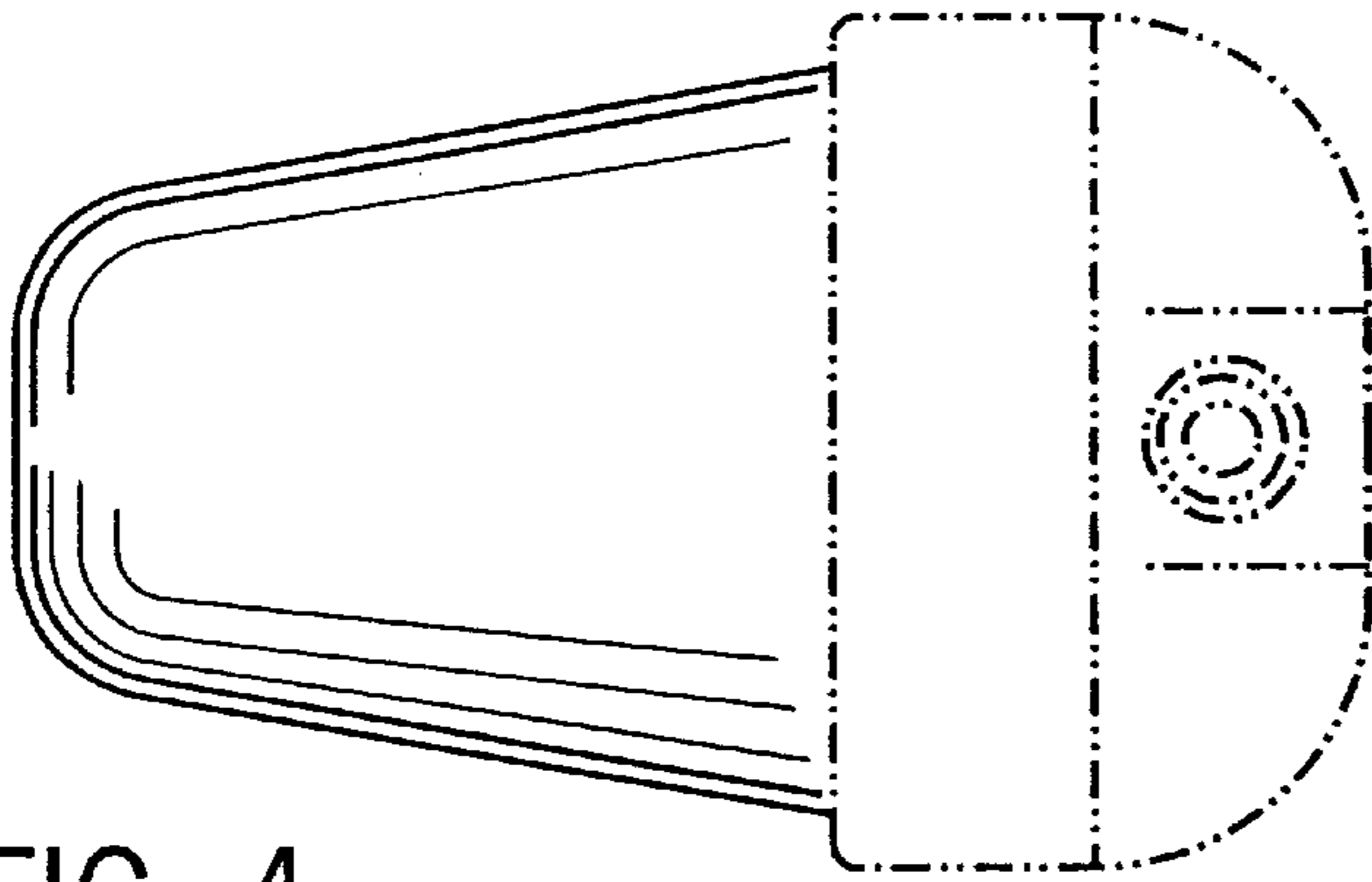


FIG. 4

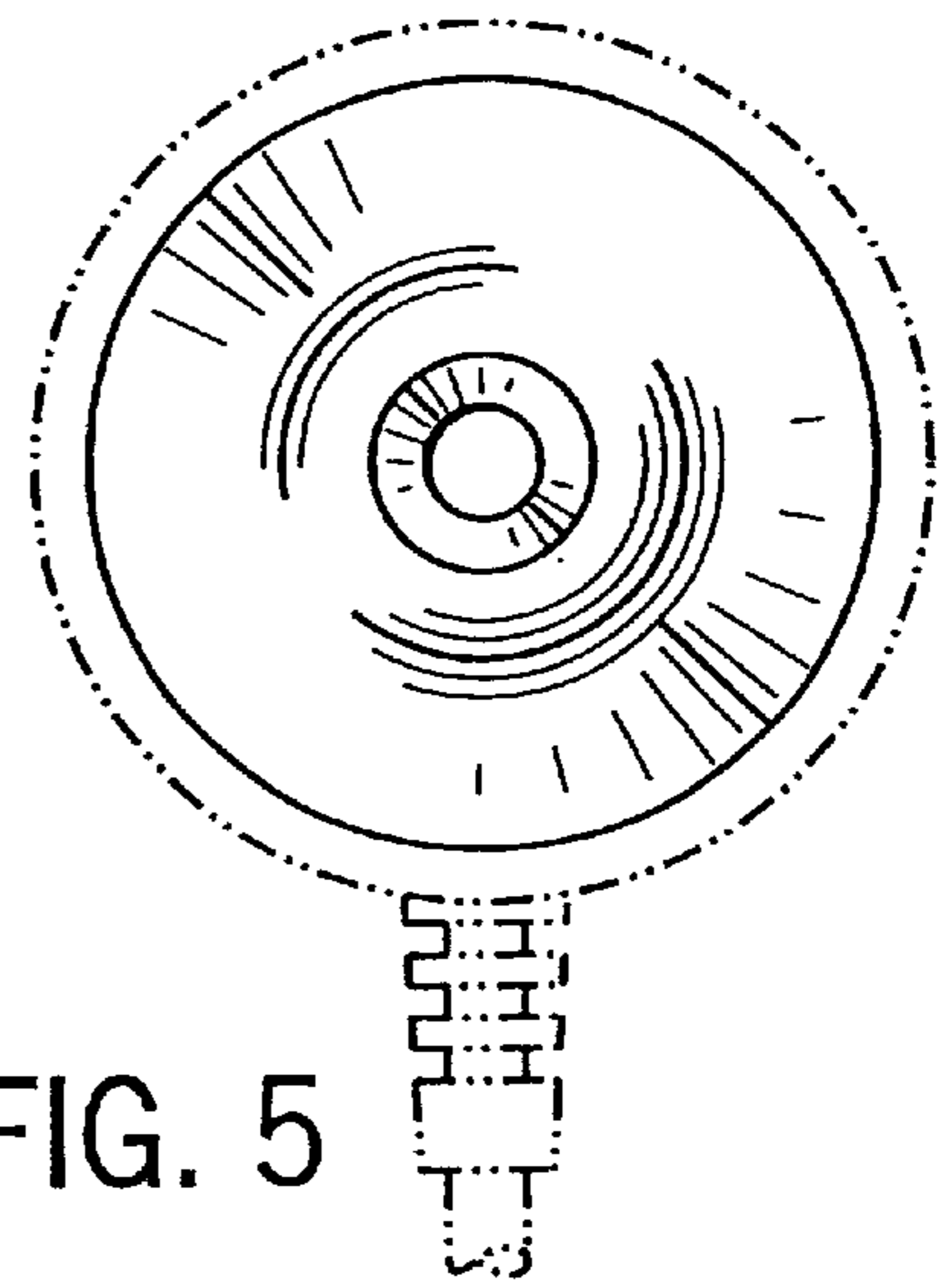


FIG. 5