



US00D449590B1

(12) **United States Design Patent**  
**Lewis**

(10) **Patent No.:** **US D449,590 S**

(45) **Date of Patent:** **\*\* Oct. 23, 2001**

(54) **WIRELESS RECEIVER UNIT**

(75) Inventor: **David Lewis, København (DK)**

(73) Assignee: **Bang & Olufsen A/S, Struer (DK)**

(\*\*) Term: **14 Years**

(21) Appl. No.: **29/126,586**

(22) Filed: **Jul. 18, 2000**

(30) **Foreign Application Priority Data**

Jan. 25, 2000 (DK) ..... 2000 00058

(51) **LOC (7) Cl.** ..... **14-03**

(52) **U.S. Cl.** ..... **D14/188**

(58) **Field of Search** ..... D14/168, 170-171,  
D14/188, 192-198; 455/344, 347, 350,  
351

(56) **References Cited**

**U.S. PATENT DOCUMENTS**

- D. 381,985 \* 8/1997 Maeyama ..... D14/194
- D. 381,986 \* 8/1997 Kokkinis ..... D14/194
- D. 384,069 \* 9/1997 Kokkinis ..... D14/171
- D. 384,666 \* 10/1997 Kokkinis ..... D14/194 X
- D. 388,789 \* 1/1998 Kokkinis ..... D14/196 X

\* cited by examiner

*Primary Examiner*—Nanda Bondade

(74) *Attorney, Agent, or Firm*—Darby & Darby

(57) **CLAIM**

The ornamental design for a “wireless receiver unit”, as shown and described.

**DESCRIPTION**

FIG. 1 is a front, top and right side perspective view of a wireless receiving unit showing my new design;

FIG. 2 is a rear, top and left side perspective view thereof; FIG. 3 is a right side elevational view thereof, with the flap raised;

FIG. 4 is a rear, top and left side perspective view thereof, with the flap raised;

FIG. 5 is a front elevational view of FIG. 1;

FIG. 6 is a left side elevational view thereof;

FIG. 7 is a rear elevational view thereof;

FIG. 8 is a right side view thereof;

FIG. 9 is a top plan view thereof; and,

FIG. 10 is a bottom plan view thereof.

The broken line showing on FIG. 10 is for illustrative purposes only and forms no part of the claimed design.

**1 Claim, 5 Drawing Sheets**

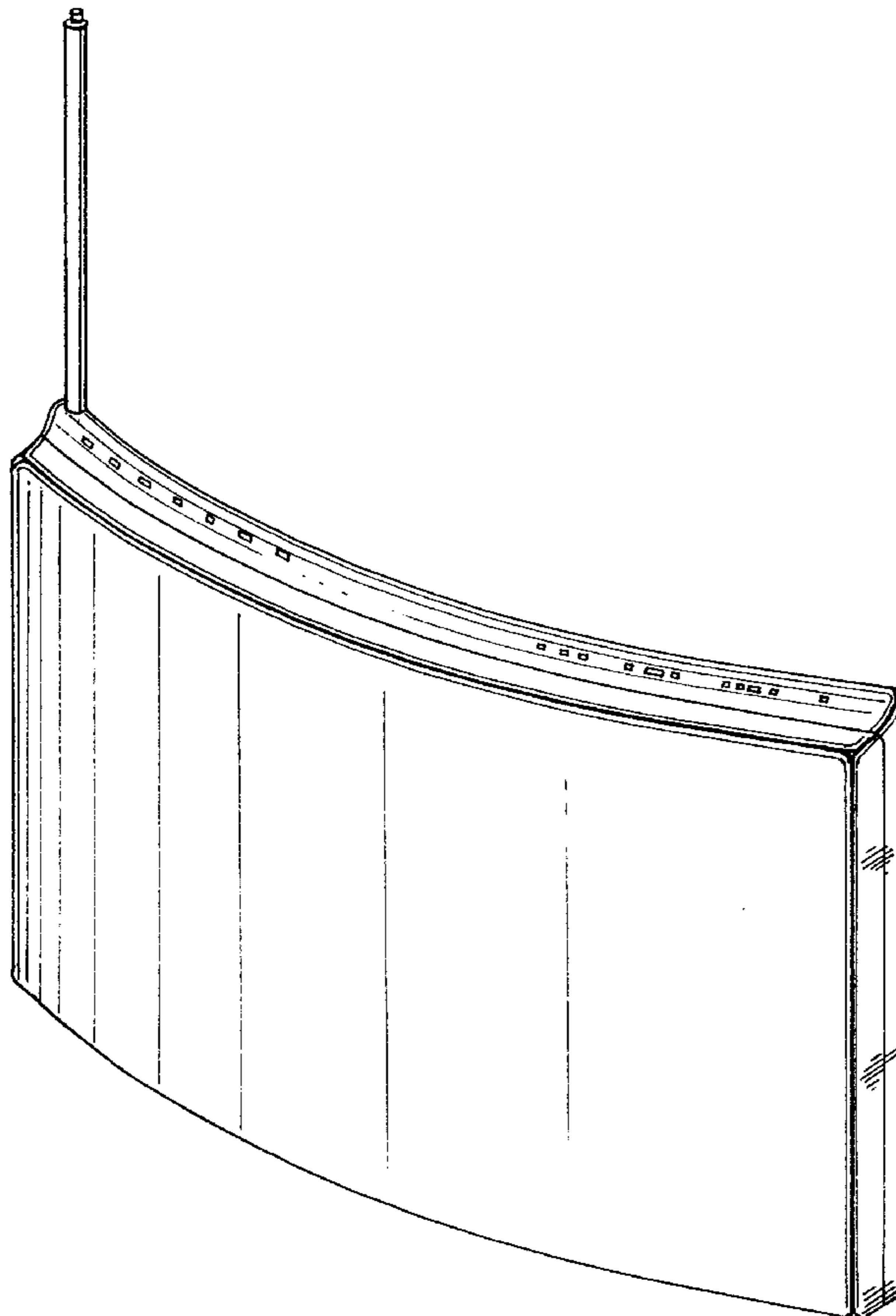


FIG. 2

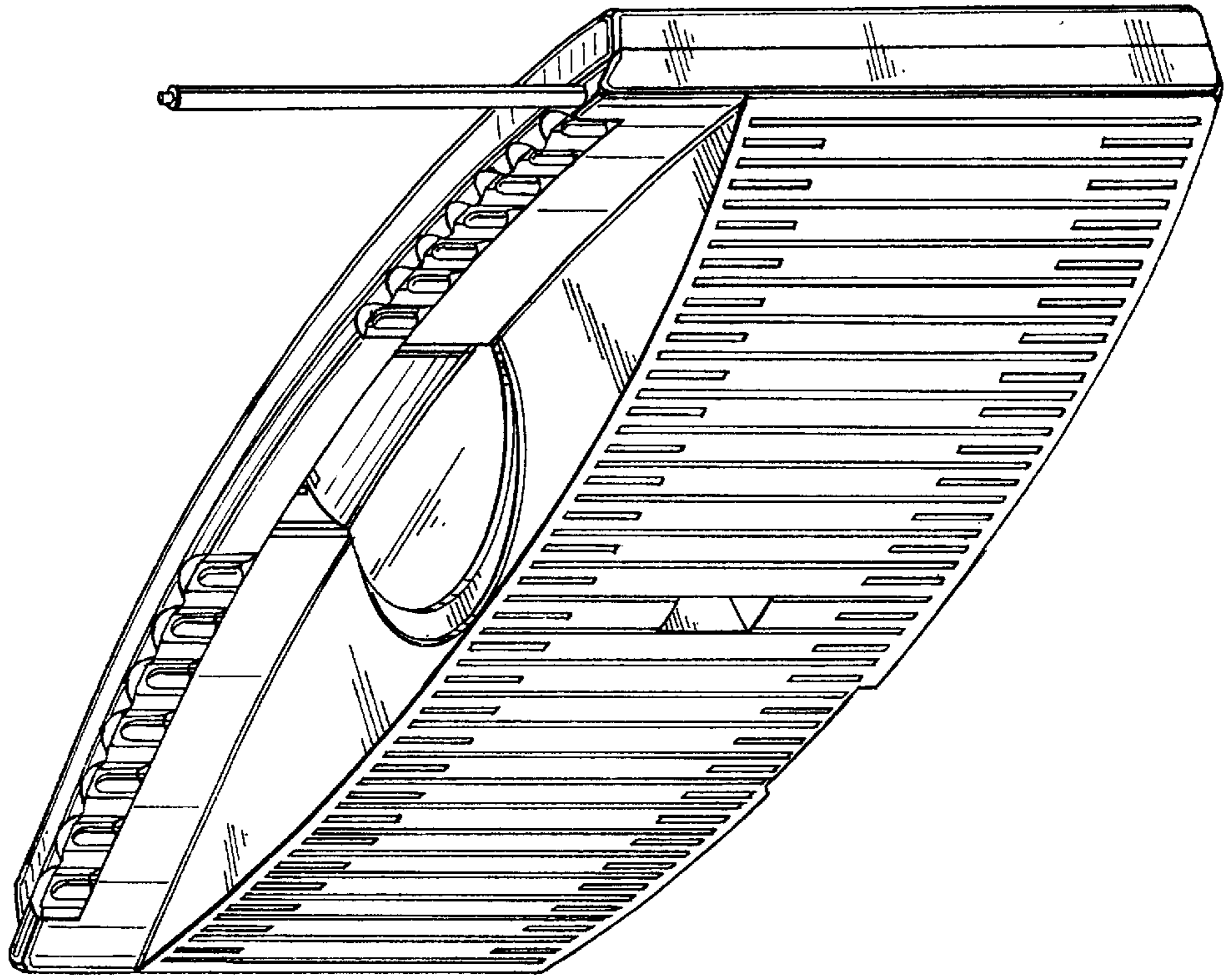


FIG. 1

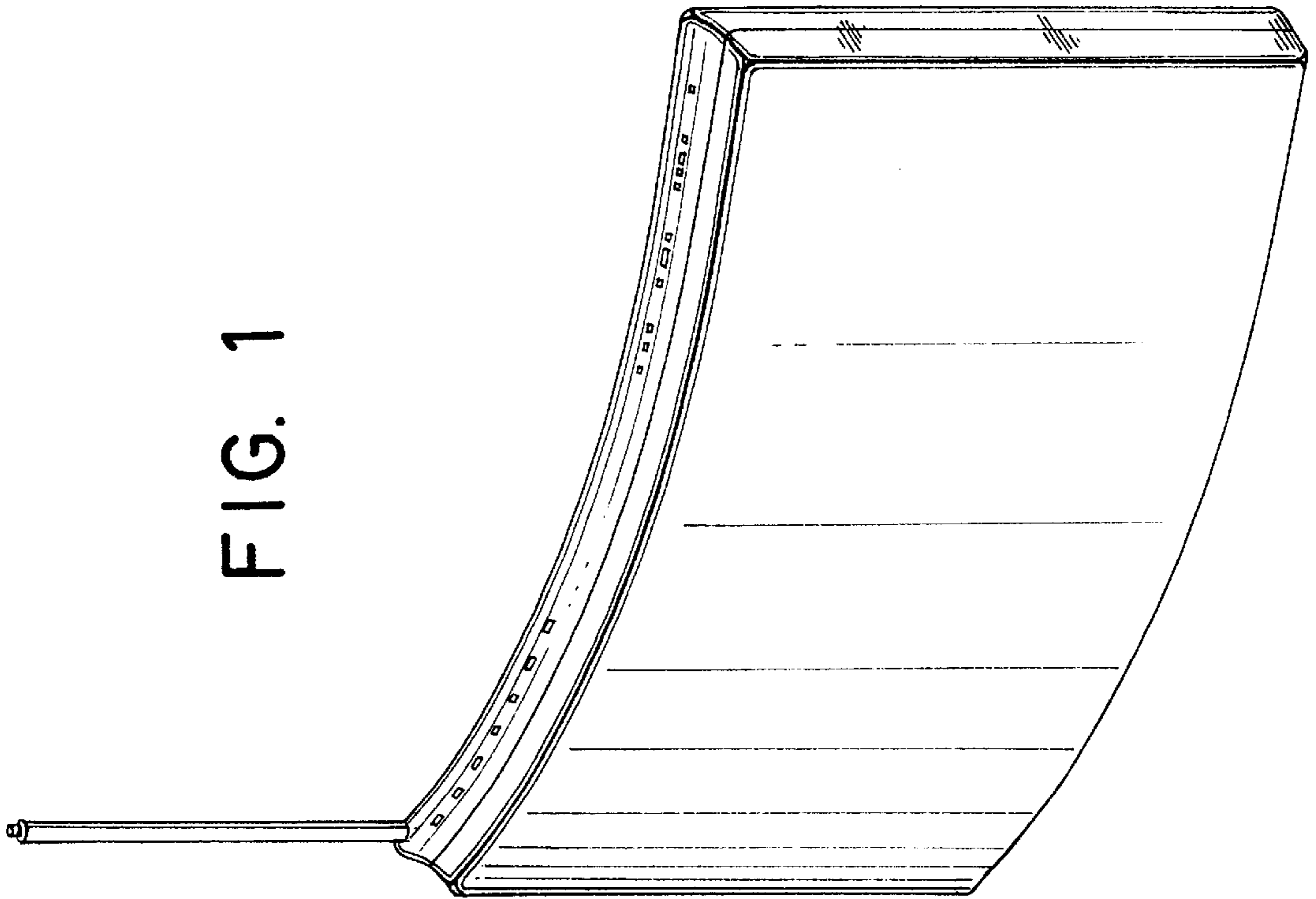


FIG. 4

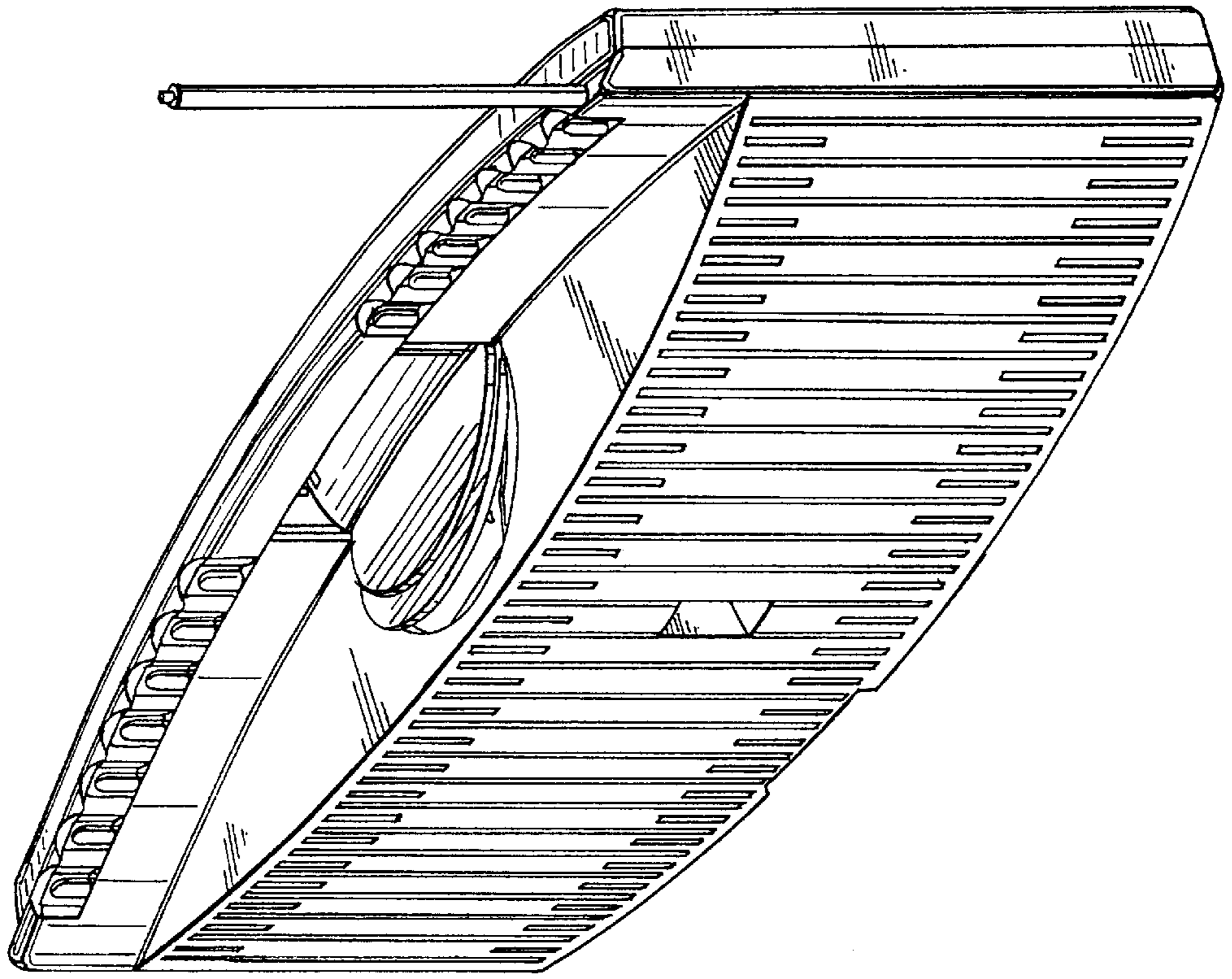


FIG. 3

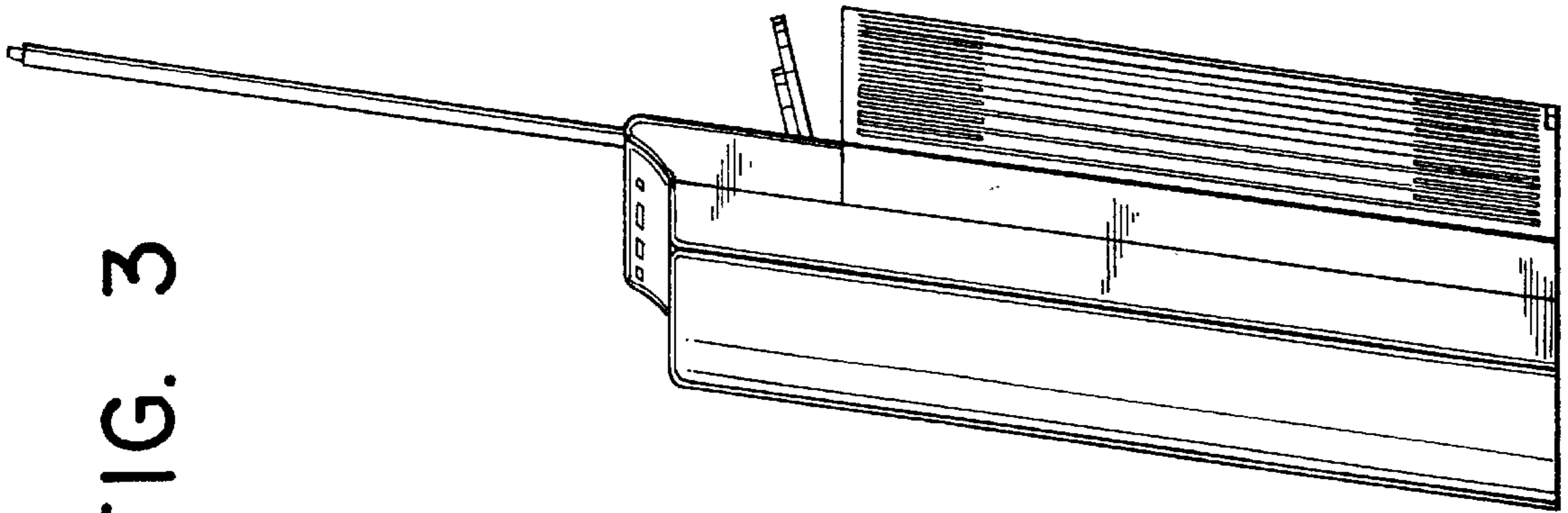


FIG. 6

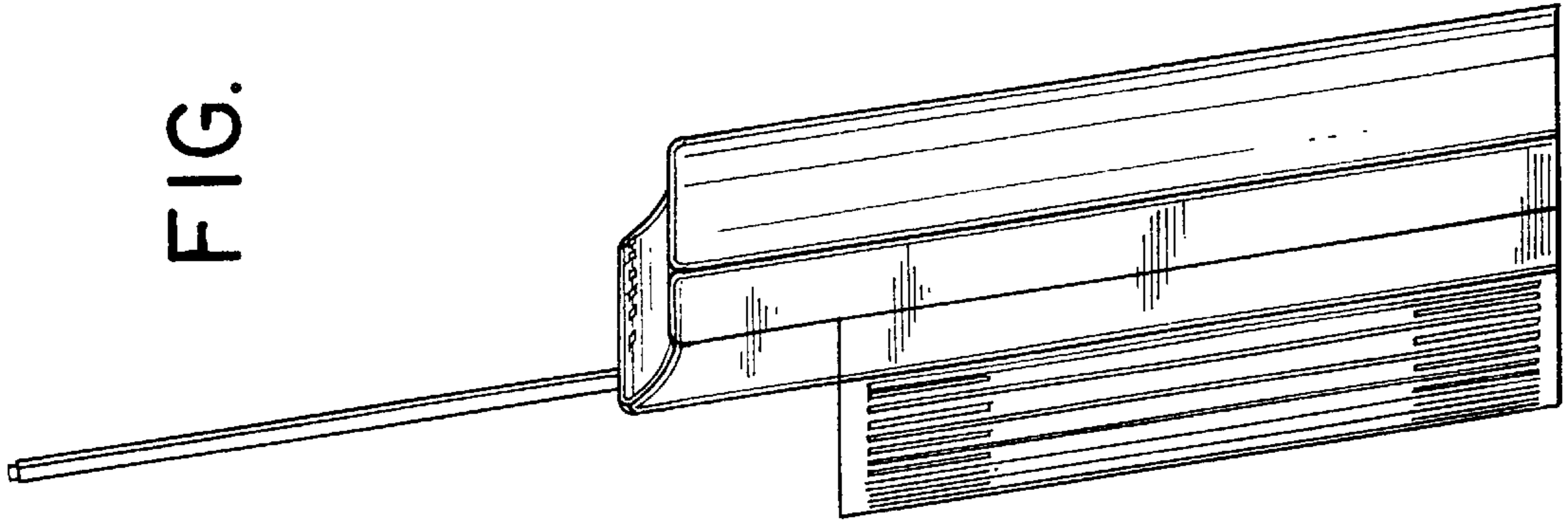


FIG. 5

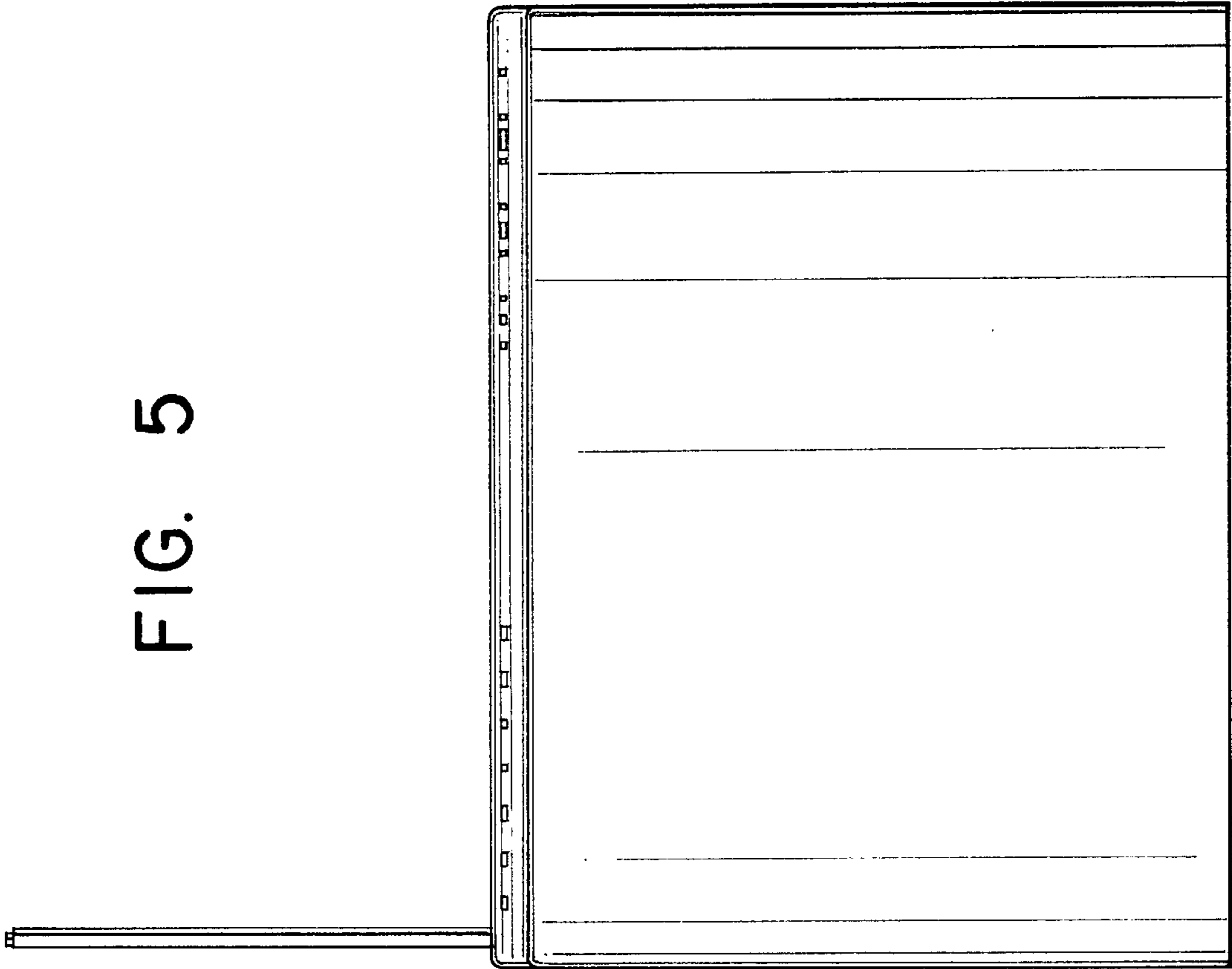


FIG. 8

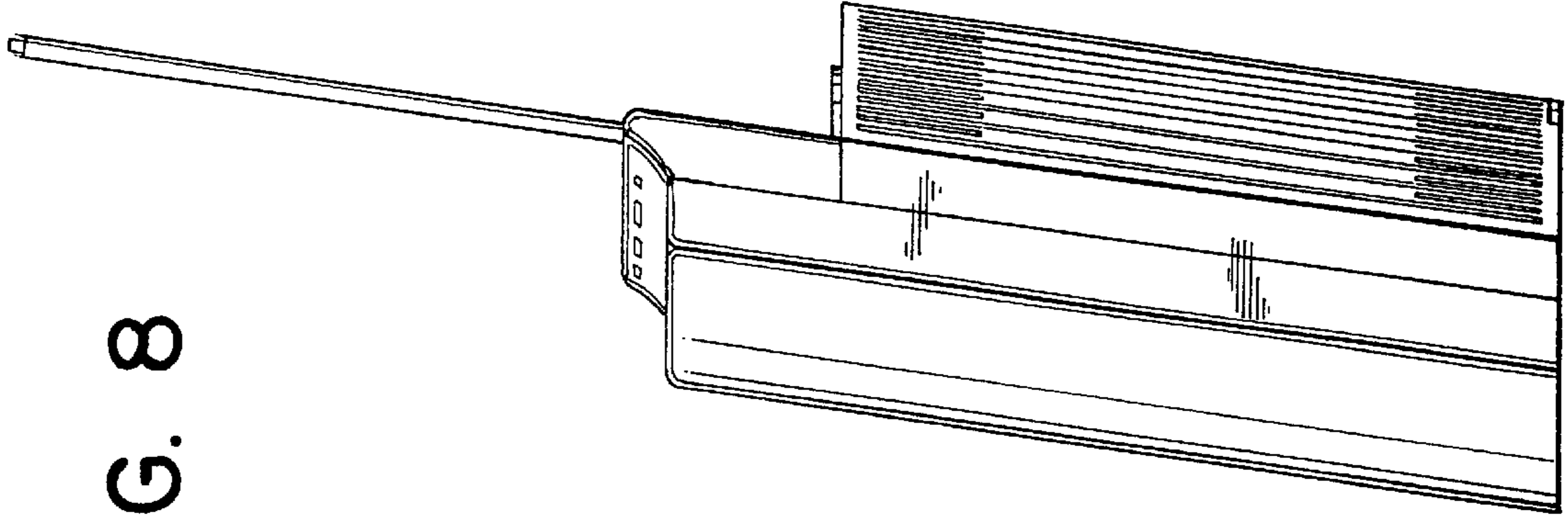


FIG. 7

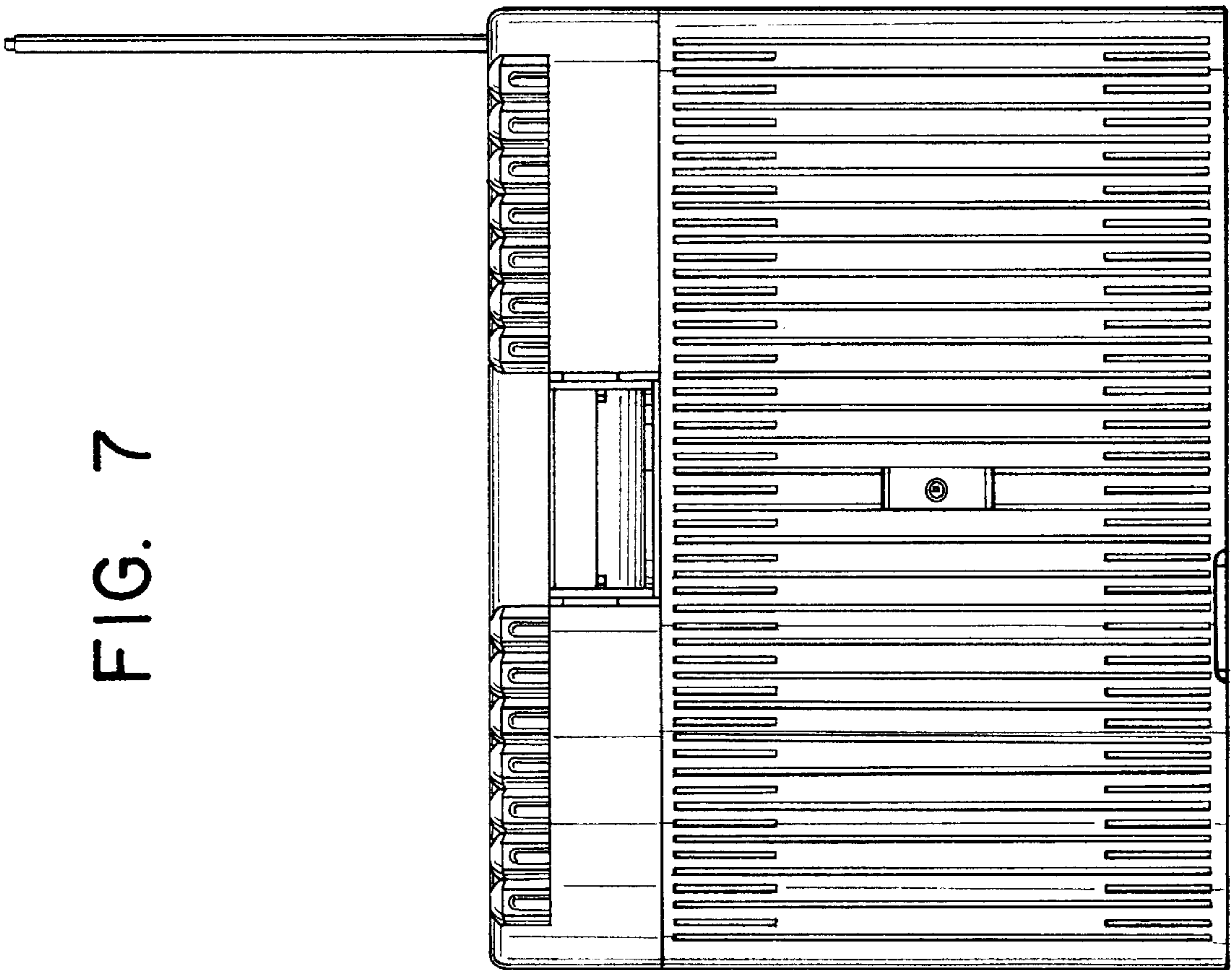


FIG. 9

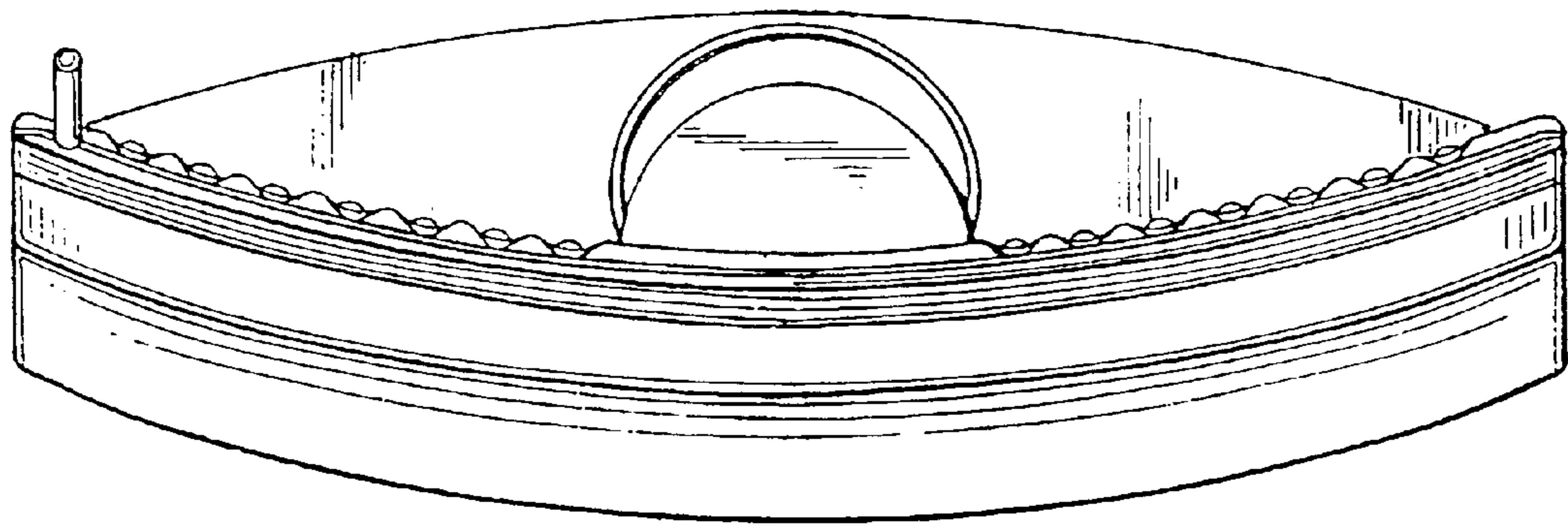


FIG. 10

