



US00D449587B1

(12) **United States Design Patent**
Cronin

(10) **Patent No.:** **US D449,587 S**

(45) **Date of Patent:** **** Oct. 23, 2001**

(54) **HEAT SINK**
(75) **Inventor:** **Dennis Lee Cronin, York, PA (US)**
(73) **Assignee:** **Andrew Corporation, Orland Park, IL (US)**
(**) **Term:** **14 Years**

4,889,959	12/1989	Taylor et al.	174/35
5,262,927	11/1993	Chia et al.	361/784
5,434,750	7/1995	Rostoker et al.	361/784
5,587,920	12/1996	Muyshondt et al.	364/489
5,594,626	1/1997	Rostoker et al.	361/784
5,729,183	3/1998	Schuchmann et al.	331/1
5,790,383	8/1998	Inagawa	361/760
5,808,529	9/1998	Hamre	333/246
6,084,779	7/2000	Fang	361/763

(21) **Appl. No.:** **29/137,796**
(22) **Filed:** **Feb. 28, 2001**
(51) **LOC (7) Cl.** **13-03**
(52) **U.S. Cl.** **D13/179**
(58) **Field of Search** D13/179; 174/16.3;
361/704, 709, 718, 719, 722

* cited by examiner

Primary Examiner—Brian N. Vinson
(74) *Attorney, Agent, or Firm*—Jenkins & Gilchrist

(57) **CLAIM**

The ornamental design for a “heat sink,” as shown and described.

(56) **References Cited**

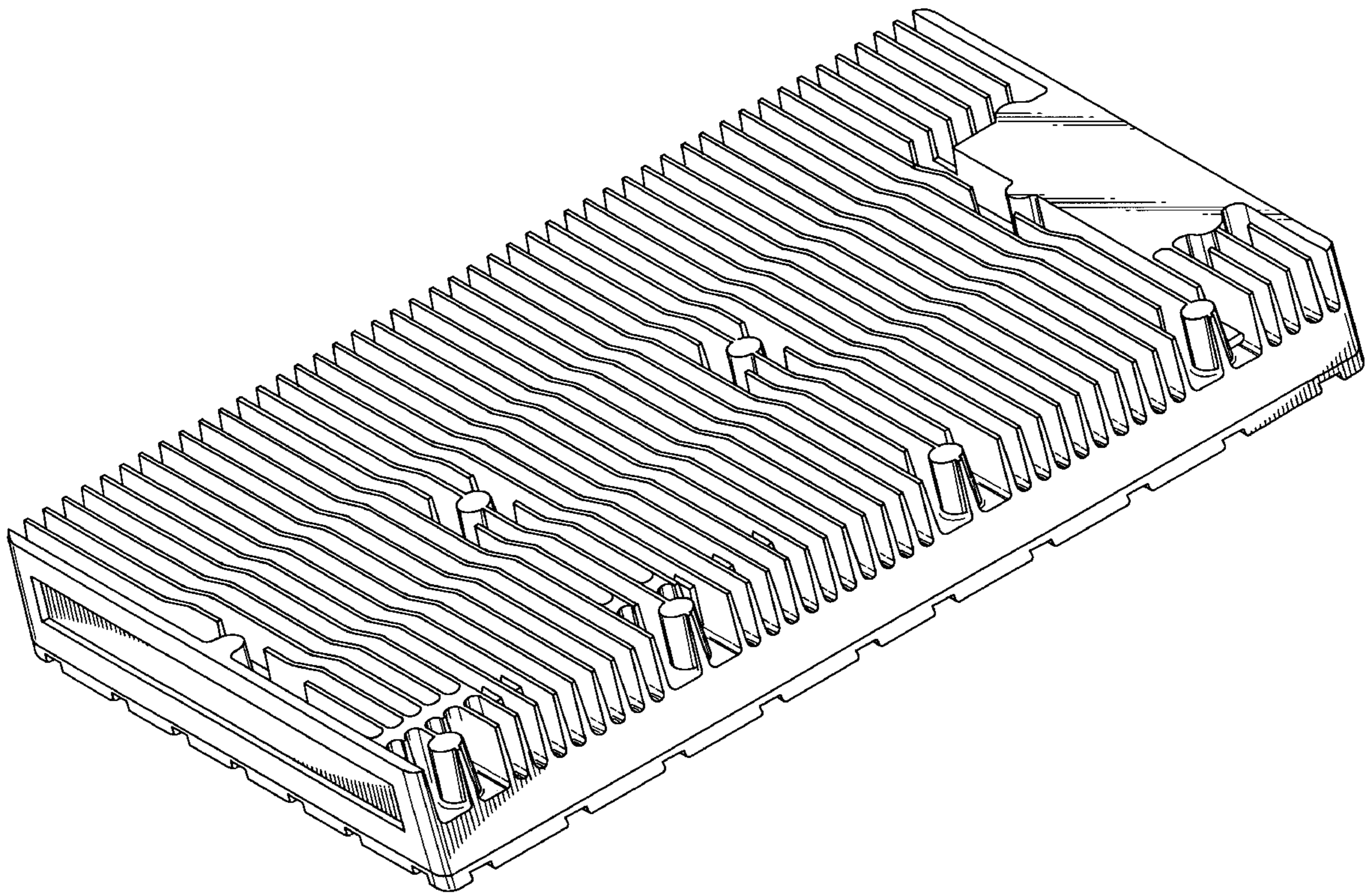
U.S. PATENT DOCUMENTS

D. 302,853	8/1989	Takahashi et al.	D23/386
D. 368,253 *	3/1996	Graves	D13/179
D. 378,815	4/1997	Dodson	D13/179
D. 381,011	7/1997	Widmayer et al.	D13/179
D. 398,589 *	9/1998	Dodson	D13/179
D. 400,188	10/1998	Chu	D13/179
D. 401,225	11/1998	Maack et al.	D13/179
D. 403,666	1/1999	Maack et al.	D13/179
4,868,716	9/1989	Taylor et al.	361/424
4,872,090	10/1989	Taylor et al.	361/424

DESCRIPTION

FIG. 1 is a perspective view of a heat sink, in accordance with the present invention.
FIG. 2 is a front view of the heat sink of FIG. 1.
FIG. 3 is a rear view of the heat sink of FIG. 1.
FIG. 4 is a right side view of the heat sink of FIG. 1.
FIG. 5 is a left side view of the heat sink of FIG. 1.
FIG. 6 is a bottom view of the heat sink of FIG. 1; and,
FIG. 7 is a top view of the heat sink of FIG. 1.

1 Claim, 4 Drawing Sheets



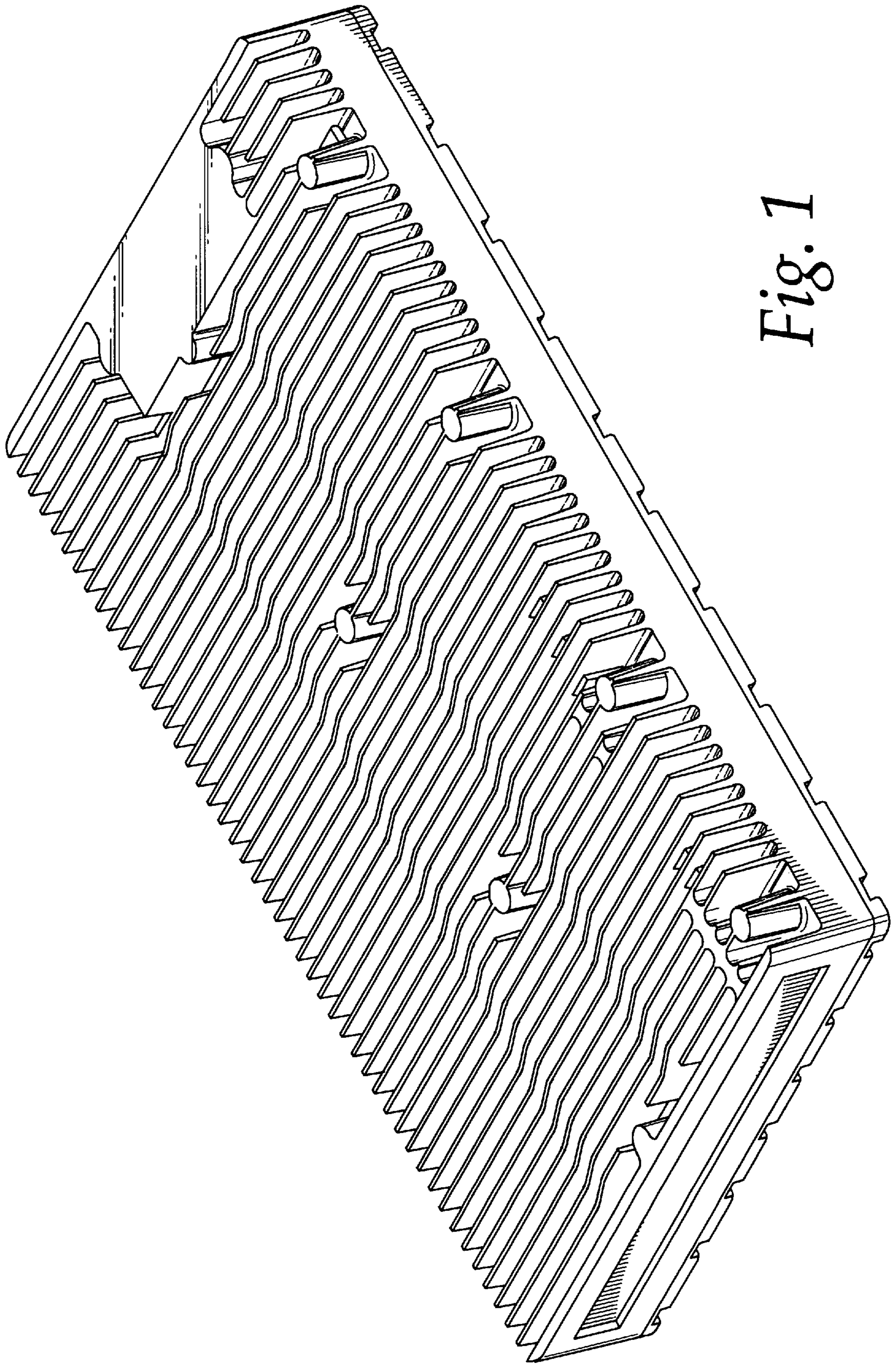


Fig. 1

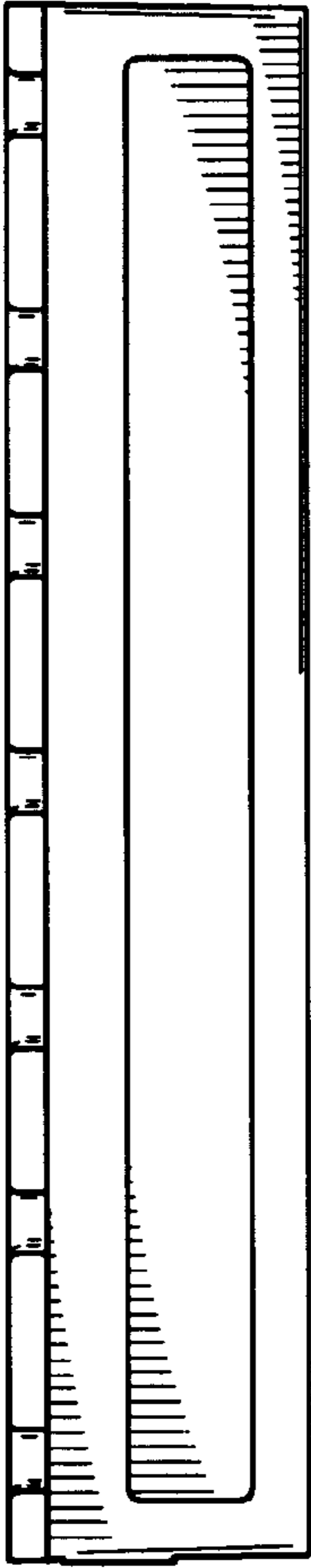


Fig. 2

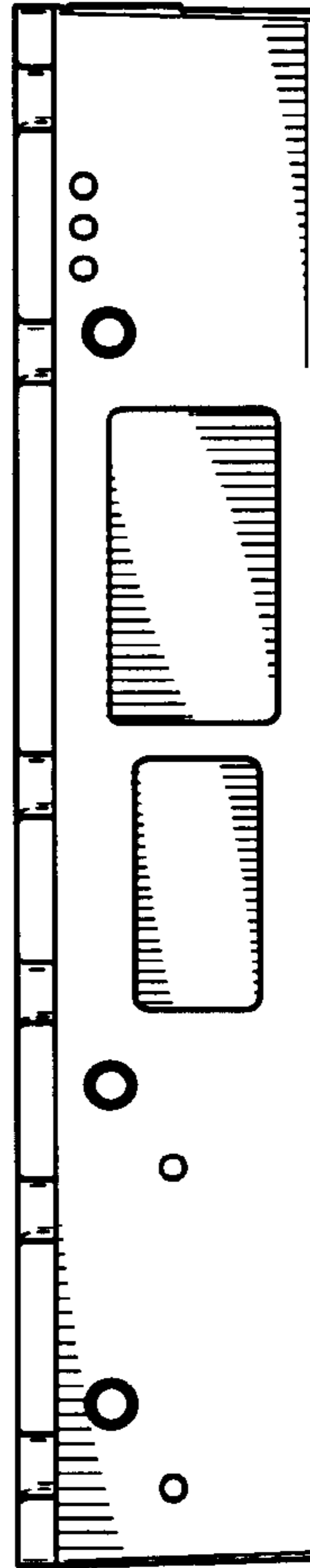


Fig. 3

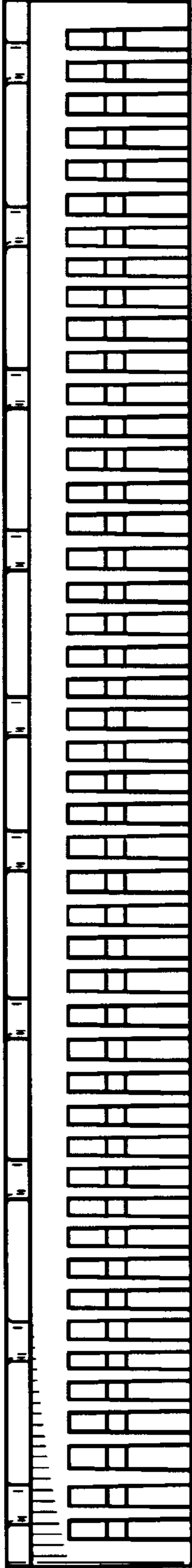


Fig. 4

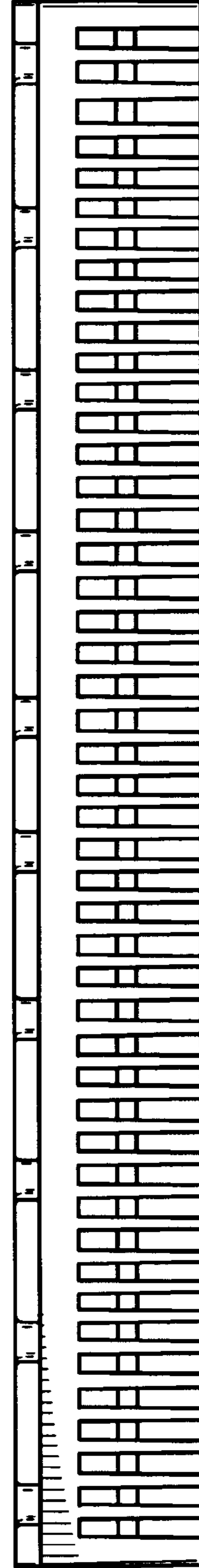


Fig. 5

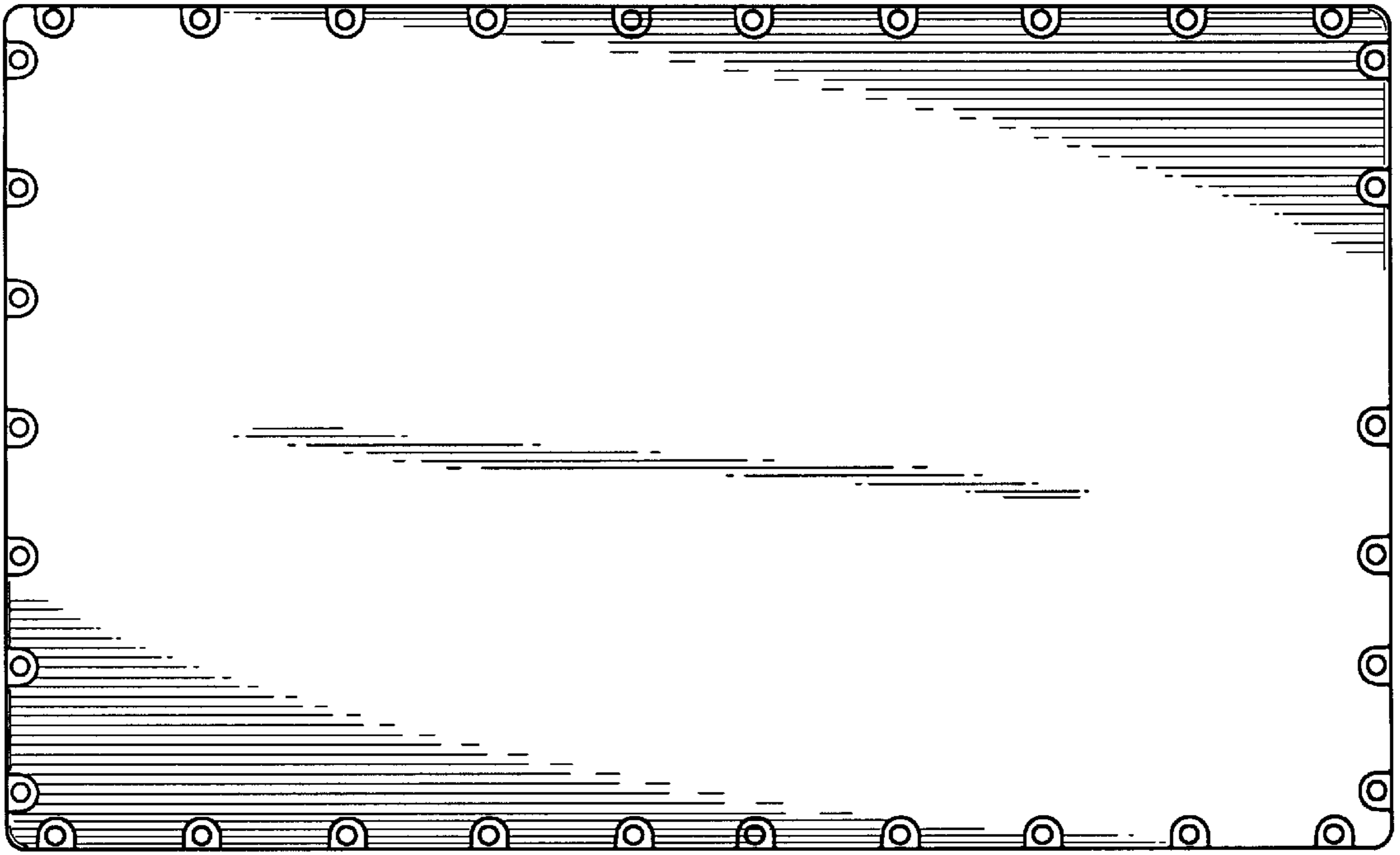


Fig. 6

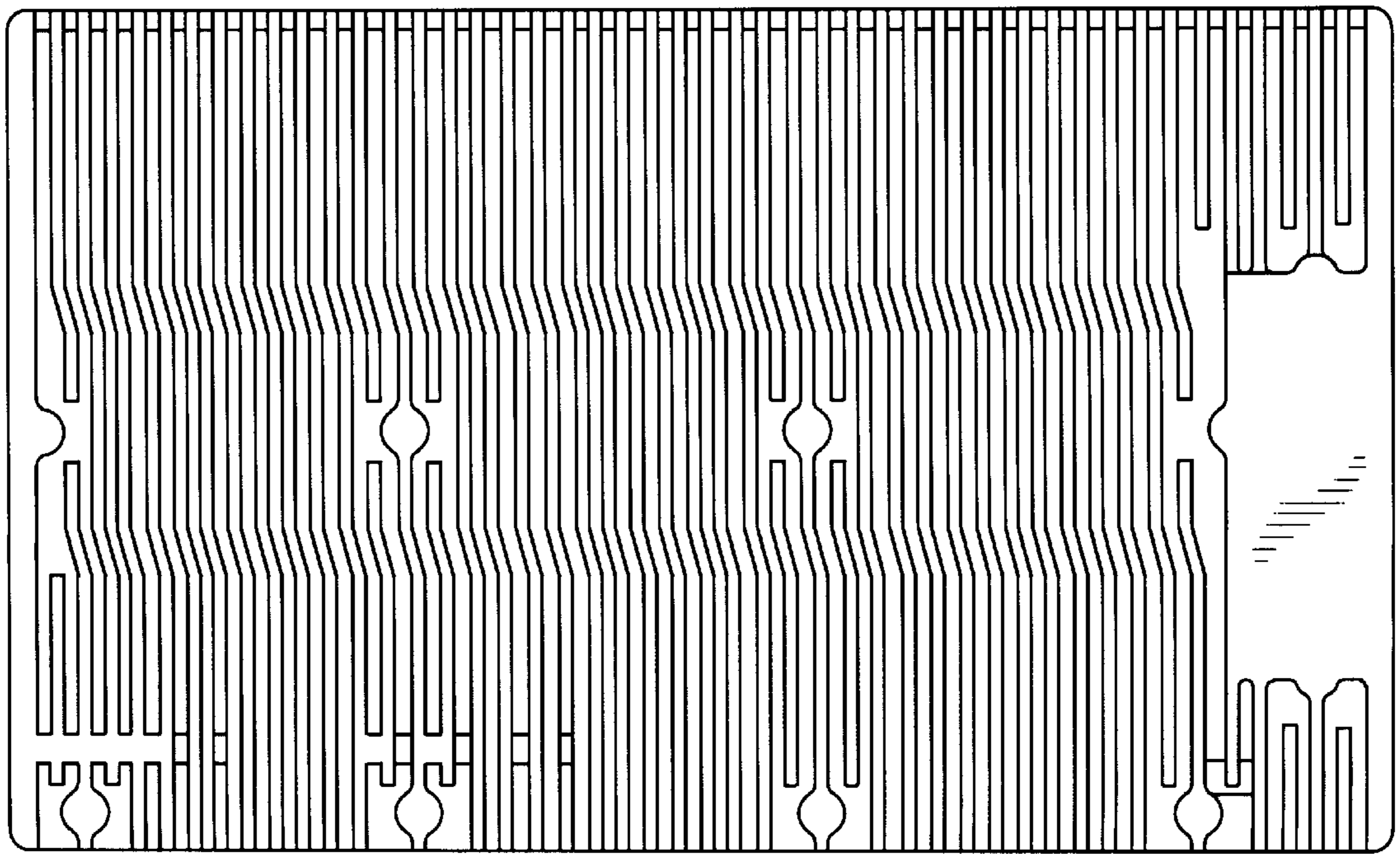


Fig. 7