



US00D449583B1

(12) **United States Design Patent**  
**Goto**

(10) **Patent No.:** **US D449,583 S**

(45) **Date of Patent:** **\*\* Oct. 23, 2001**

(54) **ELECTRIC CABLE BUNDLING DEVICE**

(75) Inventor: **Teiyu Goto**, Tokyo (JP)

(73) Assignee: **Sony Computer Entertainment Inc.**,  
Tokyo (JP)

(\*\*) Term: **14 Years**

(21) Appl. No.: **29/123,699**

(22) Filed: **May 24, 2000**

(30) **Foreign Application Priority Data**

Jan. 25, 2000 (JP) ..... 12-000927

(51) **LOC (7) Cl.** ..... **13-03**

(52) **U.S. Cl.** ..... **D13/154; D13/147**

(58) **Field of Search** ..... D13/146, 147,  
D13/154; 439/606, 660, 682, 623; 174/72 C,  
84 R, 88 R

(56) **References Cited**

**U.S. PATENT DOCUMENTS**

1,981,460	*	11/1934	Miller	.....	439/281
3,162,501	*	12/1964	Mahl	.....	439/144
3,711,813	*	1/1973	Bryant	.....	334/44
4,632,121	*	12/1986	Johnson et al.	.....	128/639
4,704,091	*	11/1987	Owens et al.	.....	439/606 X
5,358,422	*	10/1994	Schaffer et al.	.....	439/346
5,509,822	*	4/1996	Negus et al.	.....	439/502

\* cited by examiner

*Primary Examiner*—Joel Sincavage

(74) *Attorney, Agent, or Firm*—Rader, Fishman & Grauer,  
PLLC

(57) **CLAIM**

The ornamental design for an electric cable bundling device,  
as shown and described.

**DESCRIPTION**

FIG. 1 is a top, right perspective view of an electric cable  
bundling device showing my new design;

FIG. 2 is a top, left perspective view thereof;  
FIG. 3 is a front elevational view thereof, a rear elevational  
view thereof being a mirror image;  
FIG. 4 is a left side elevational view thereof;  
FIG. 5 is a right side elevational view thereof; and  
FIG. 6 is a top plan view thereof, a bottom plan view thereof  
being a mirror image.

FIG. 7 is a top, right perspective view of a second embodi-  
ment of an electric cable bundling device showing my new  
design;

FIG. 8 is a top, left perspective view thereof; and  
FIG. 9 is a top plan view thereof, a bottom plan view thereof  
being a mirror image. The rest of views thereof is the same  
as those of the embodiment of FIG. 1.

FIG. 10 is a top, right perspective view of a third embodi-  
ment of an electric cable bundling device showing my new  
design;

FIG. 11 is a top, left perspective view thereof;  
FIG. 12 is a front elevational view thereof, a rear elevational  
view thereof being a mirror image;

FIG. 13 is a left side elevational view thereof; and

FIG. 14 is a right side elevational view thereof.

The rest of views thereof is the same as those of the  
embodiment of FIG. 1.

FIG. 15 is a top, right perspective view of a fourth embodi-  
ment of an electric cable bundling device showing my new  
design; and

FIG. 16 is a top, left perspective view thereof.

Top and bottom plan views thereof are the same as those of  
the embodiment of FIG. 7. The rest of views thereof is the  
same as those of the embodiment of FIG. 10.

FIG. 17 is a reference cross-sectional view along the line  
17-17 of FIGS. 6 and 9 without showing internal structure;

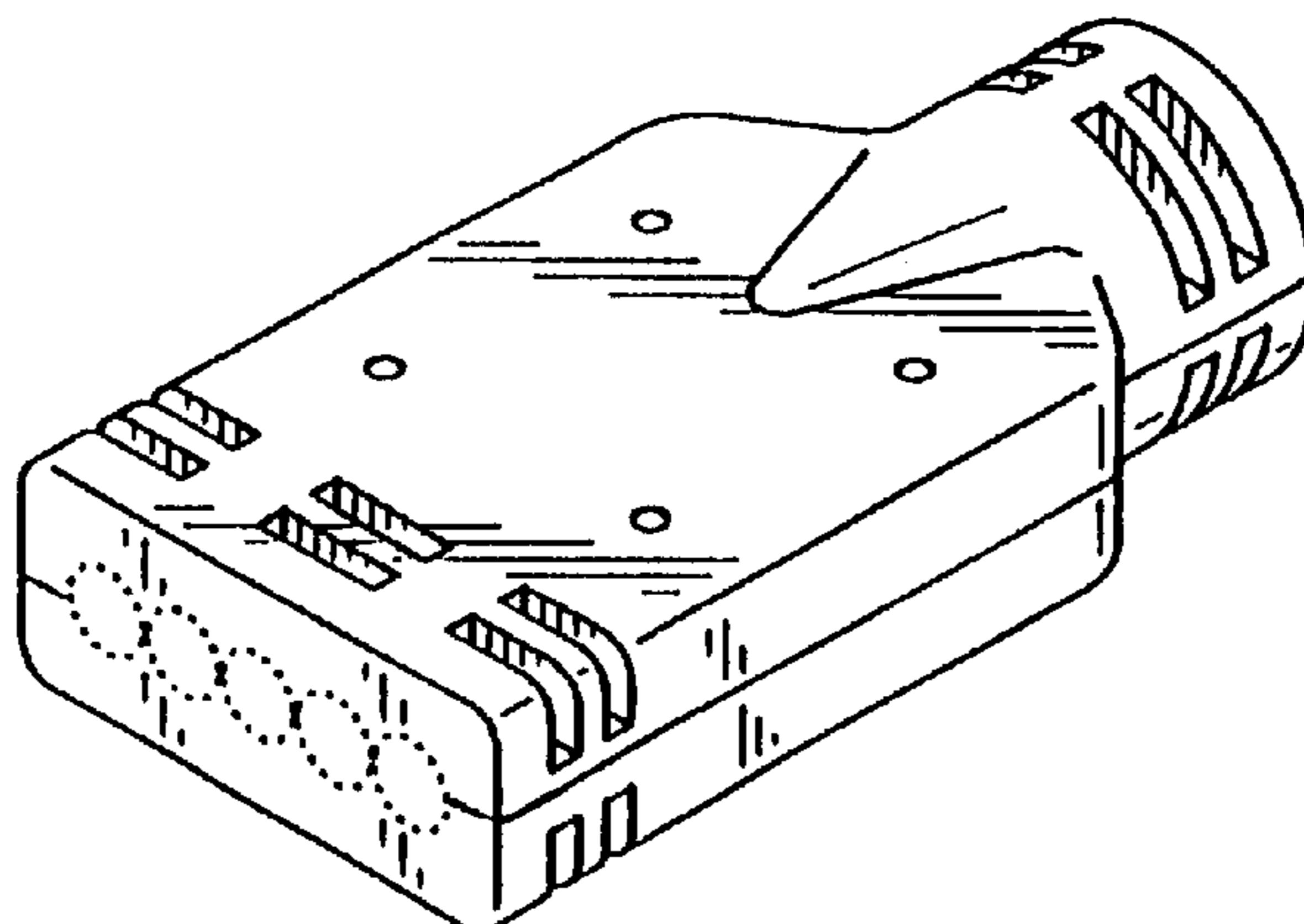
FIG. 18 is a reference cross-sectional view along the line  
18-18 of FIGS. 3 and 12;

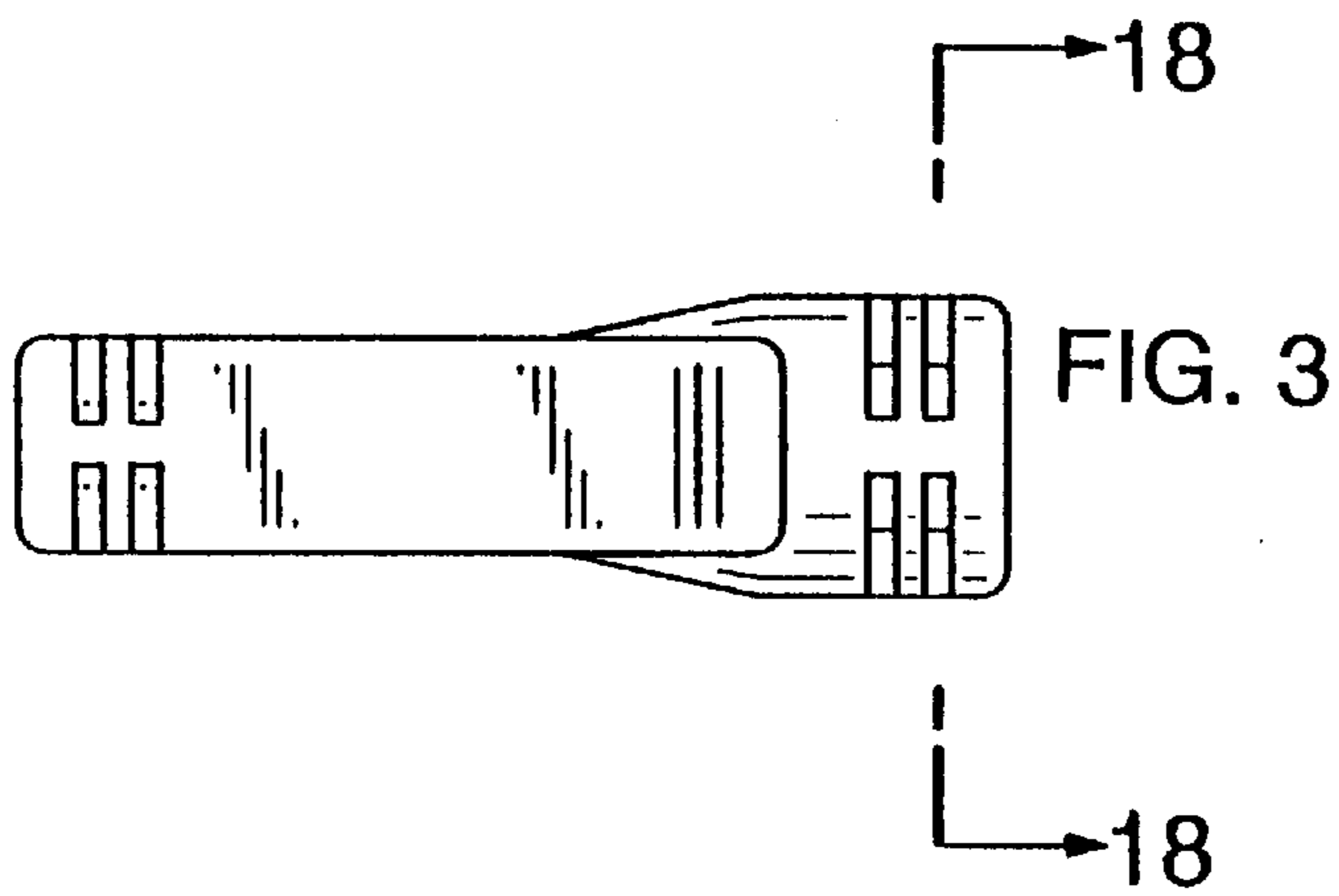
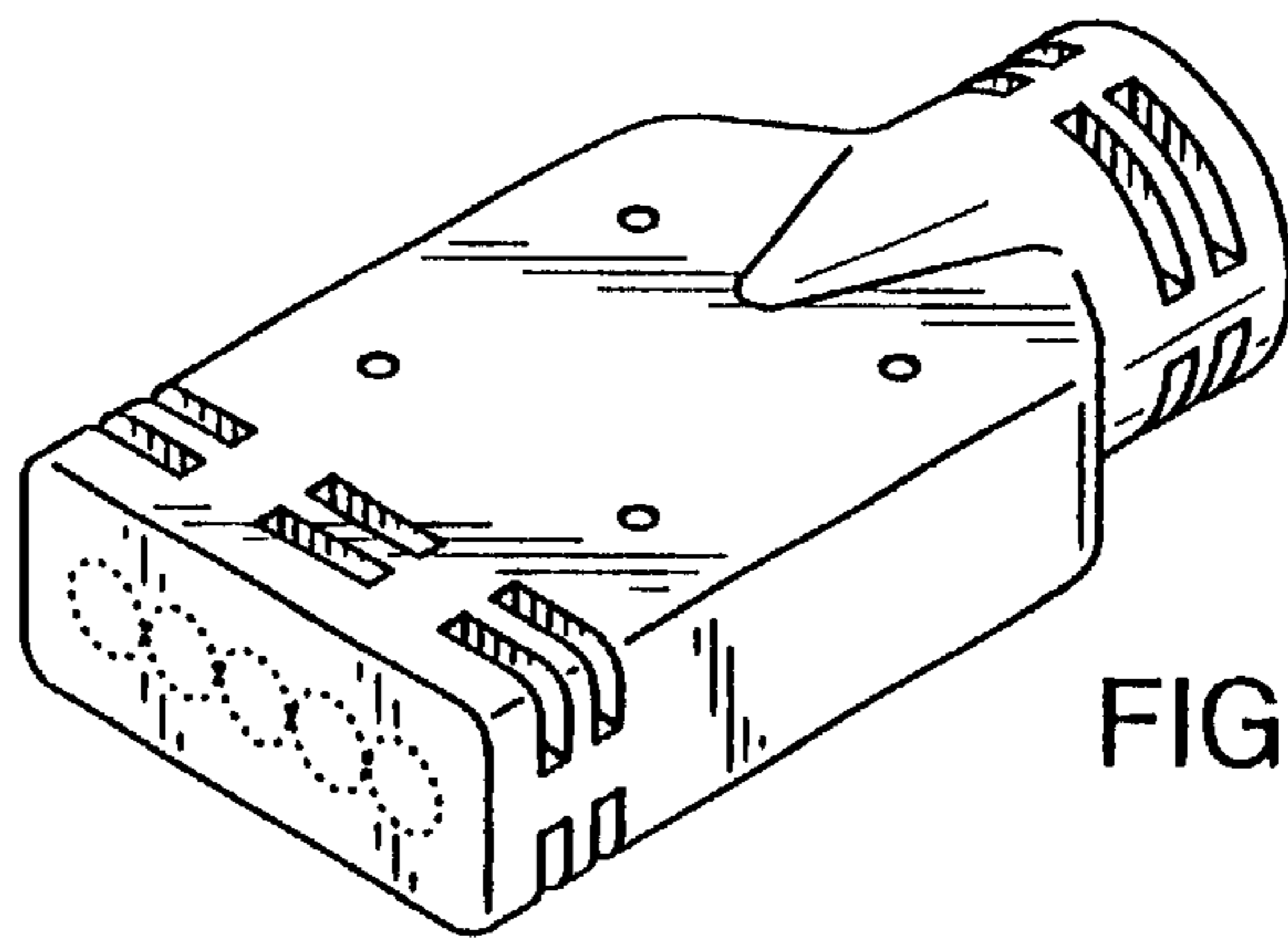
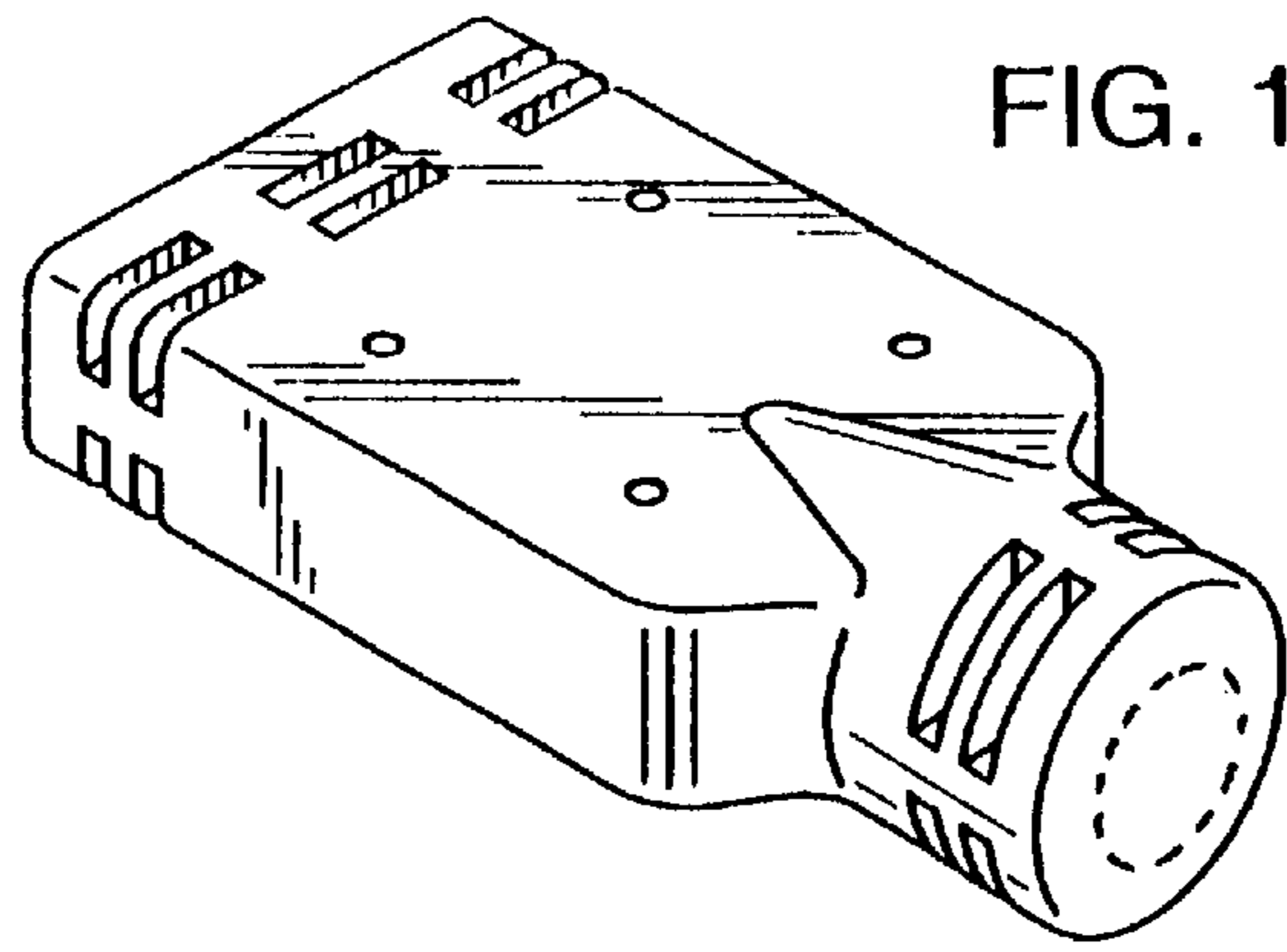
FIG. 19 is a reference enlarged left side elevational view of  
the first embodiment; and,

FIG. 20 is a reference top plan view of the embodiment of  
FIG. 1, wherein the cables are connected to the both left and  
right end portions of the embodiment.

The portions in broken lines and FIGS. 17-20 are for  
illustrative purpose only and form no part of the claimed  
design.

**1 Claim, 7 Drawing Sheets**





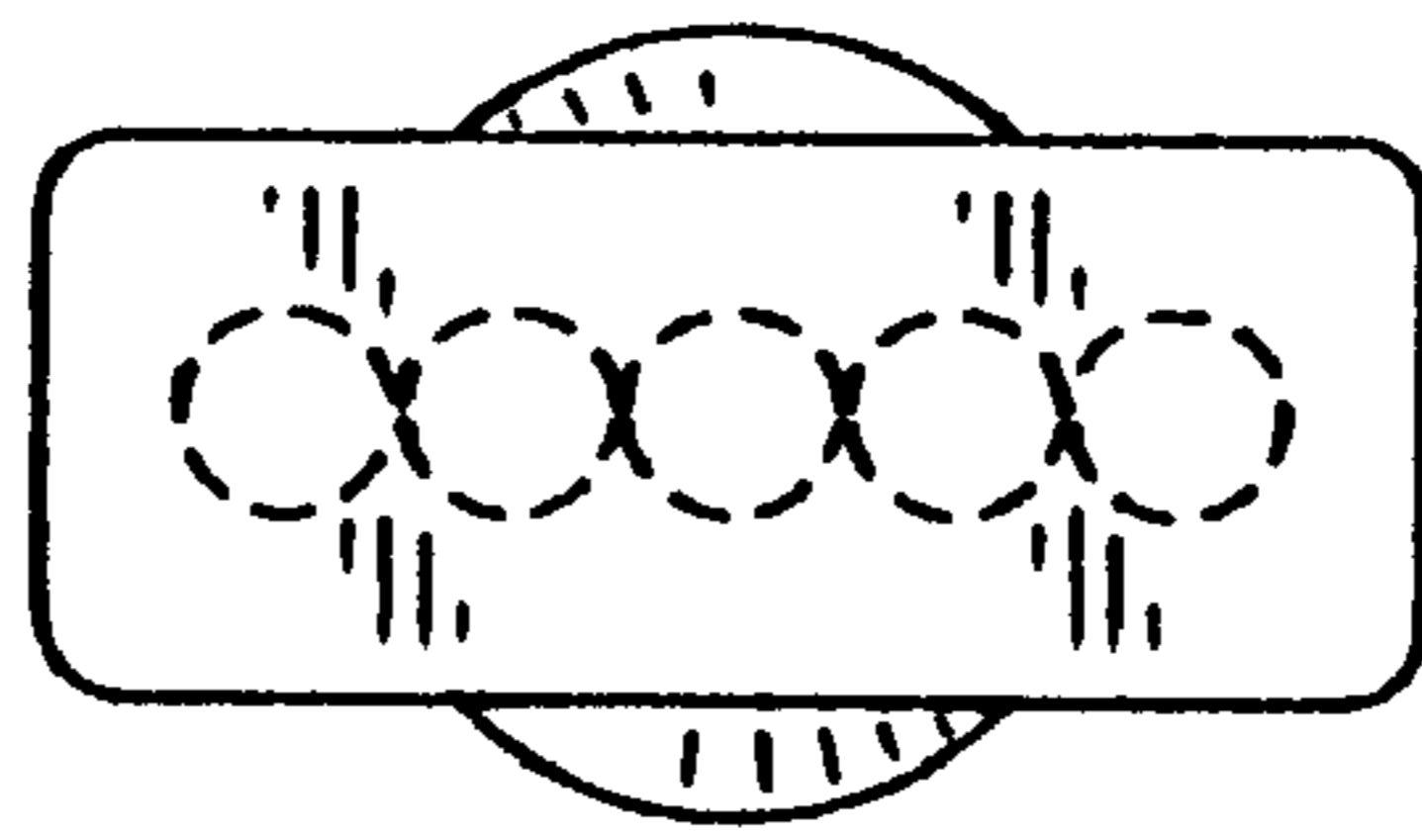


FIG. 4

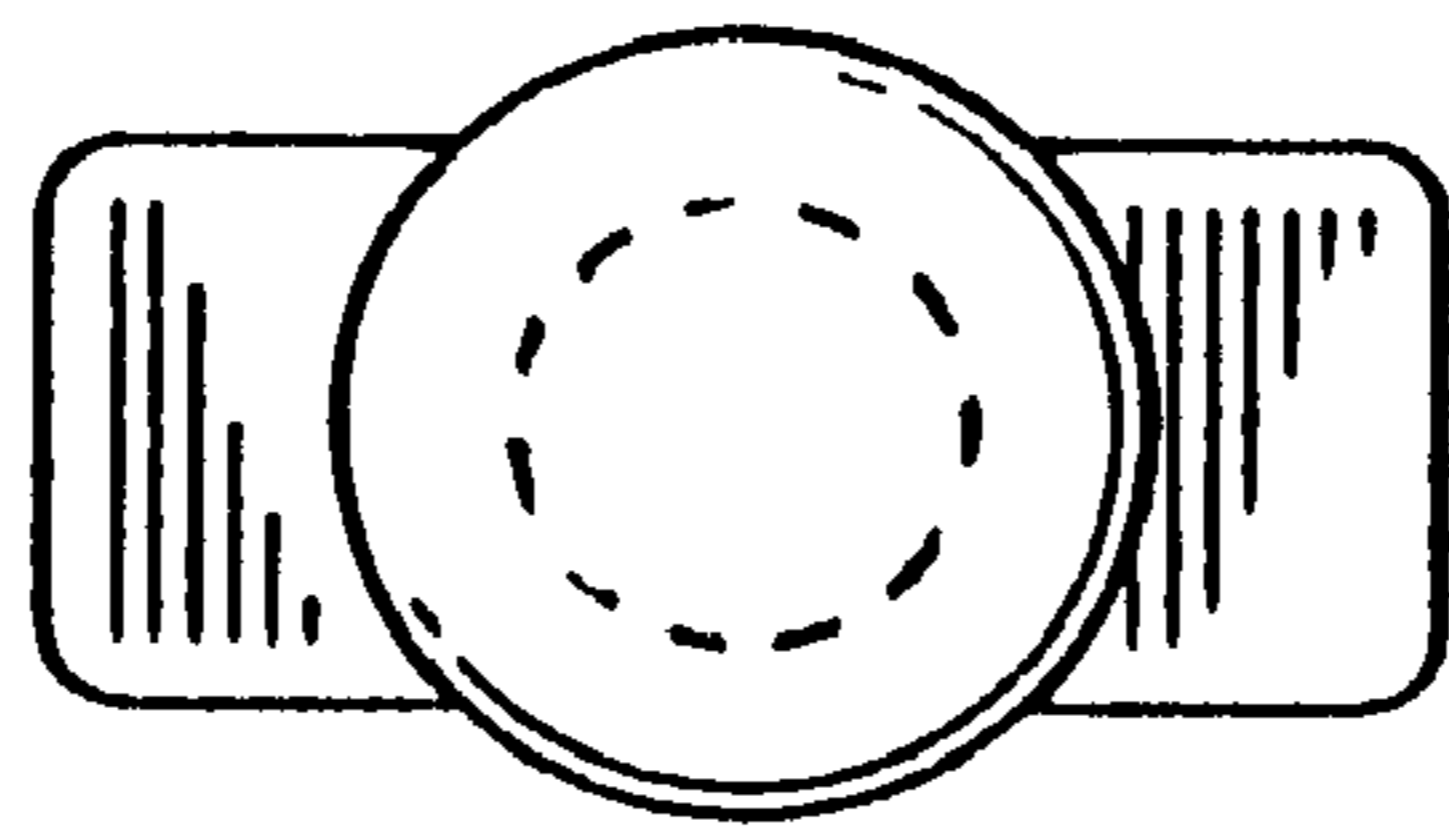
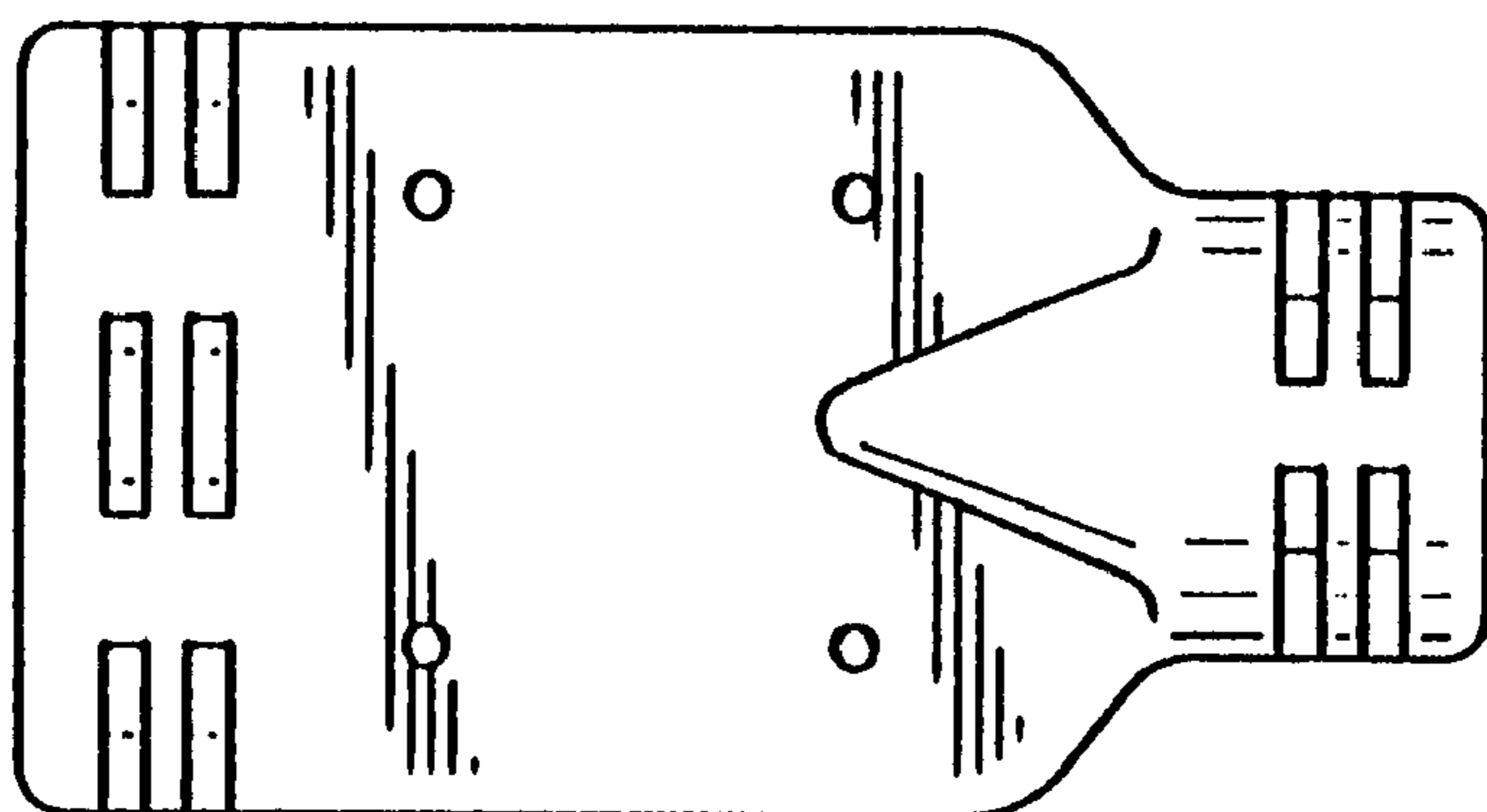
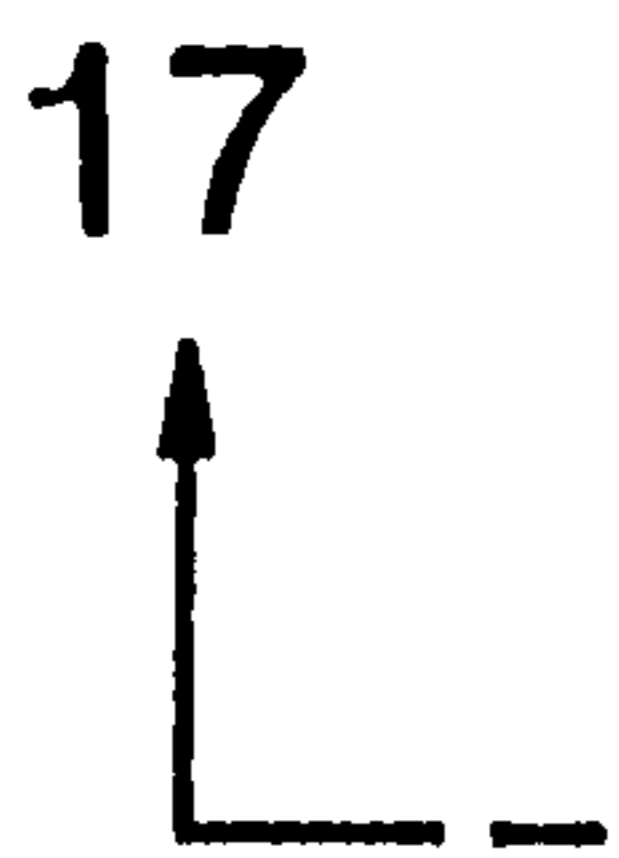
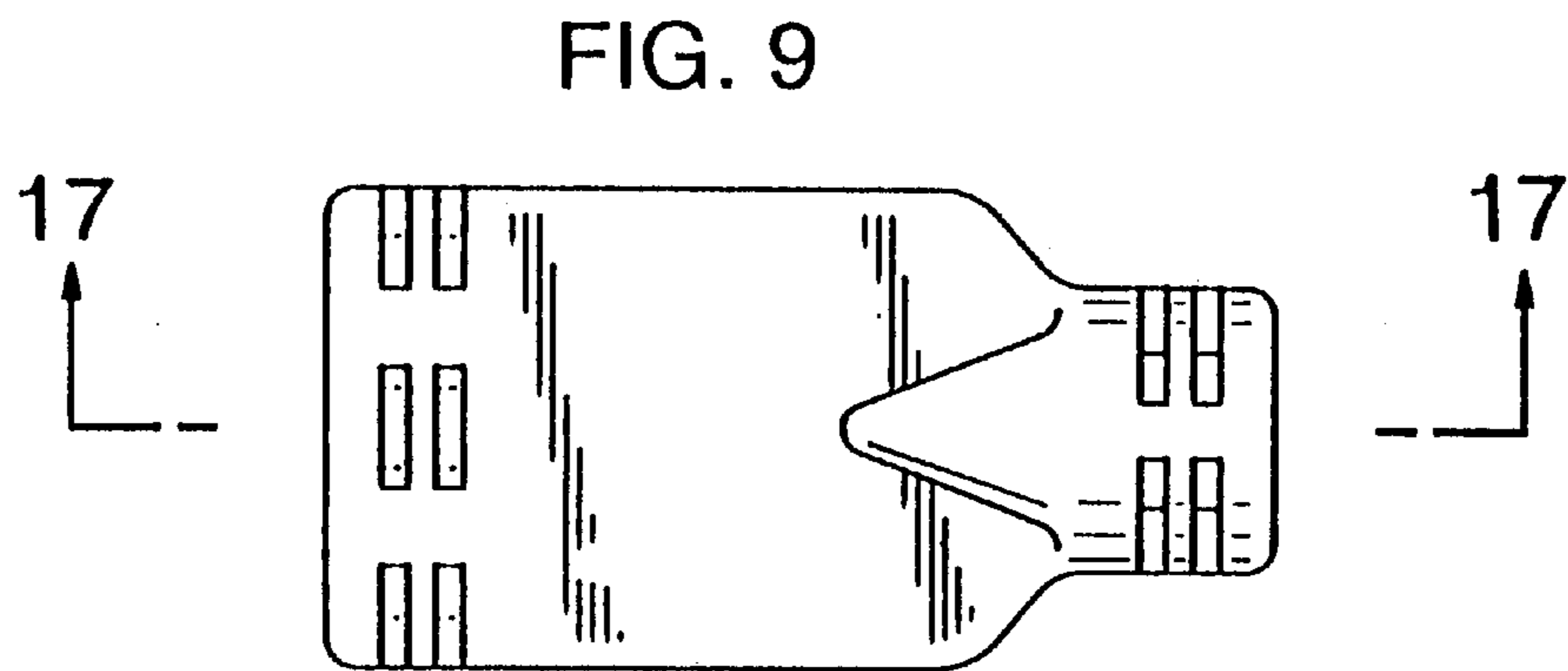
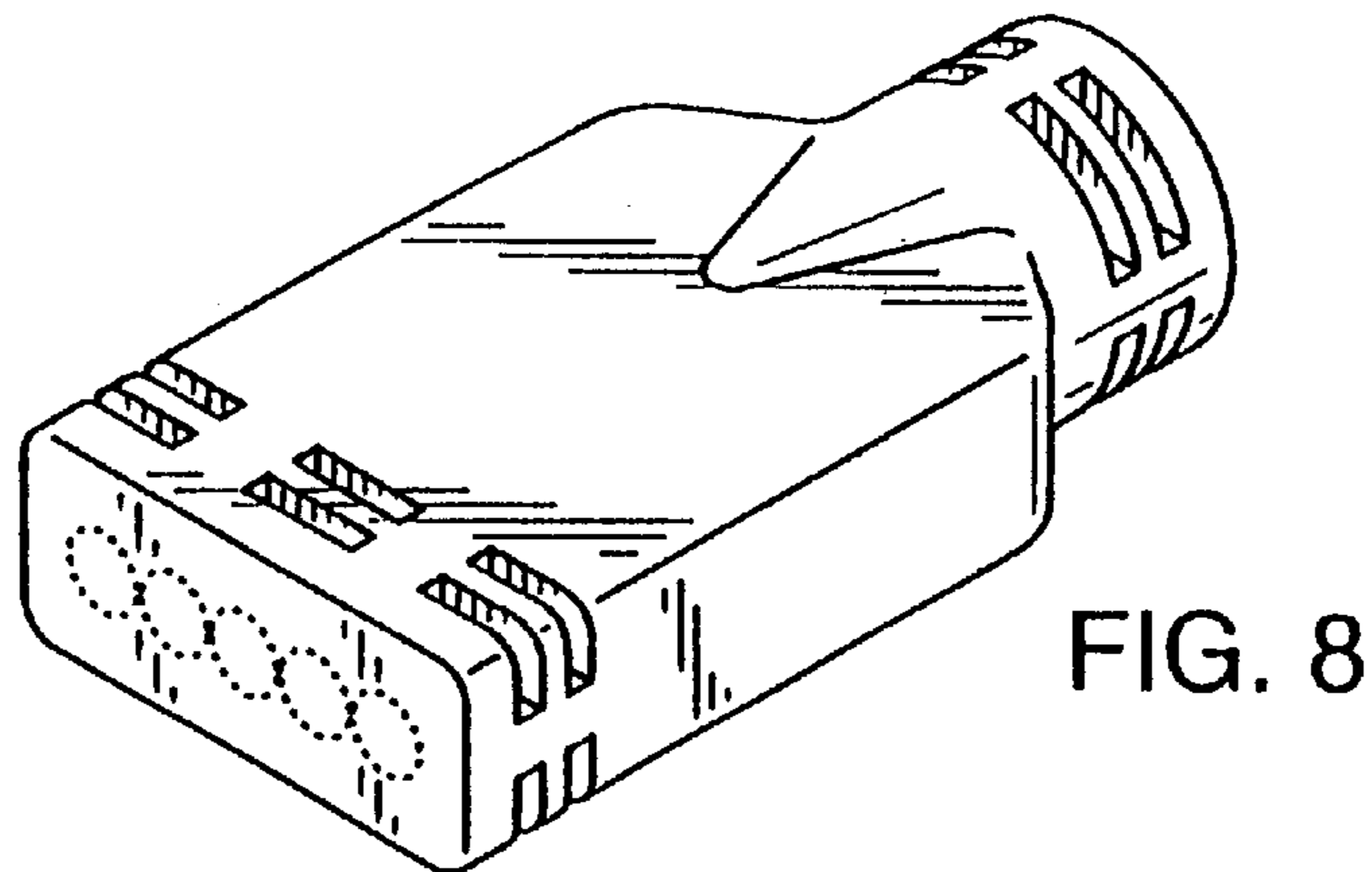
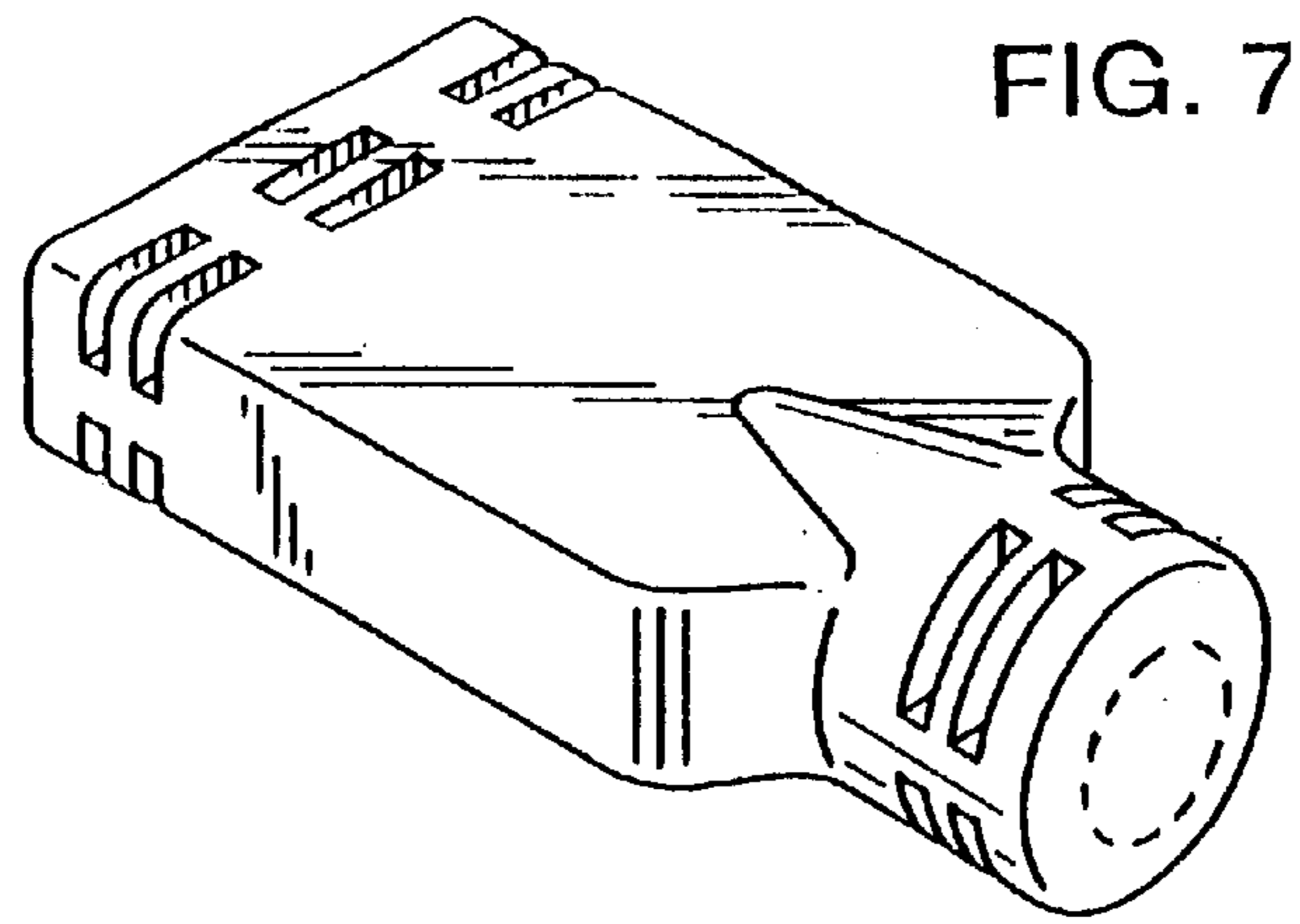
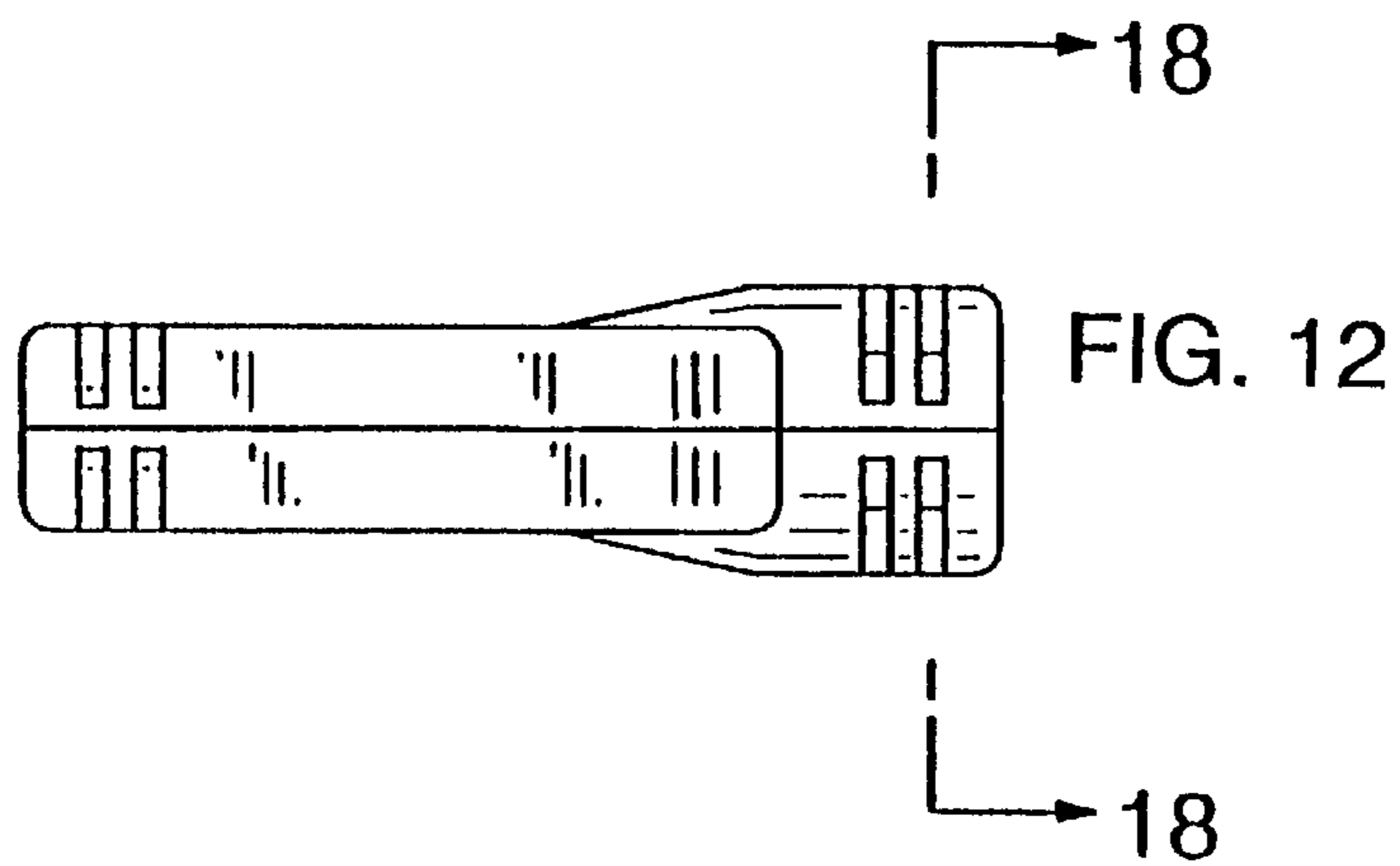
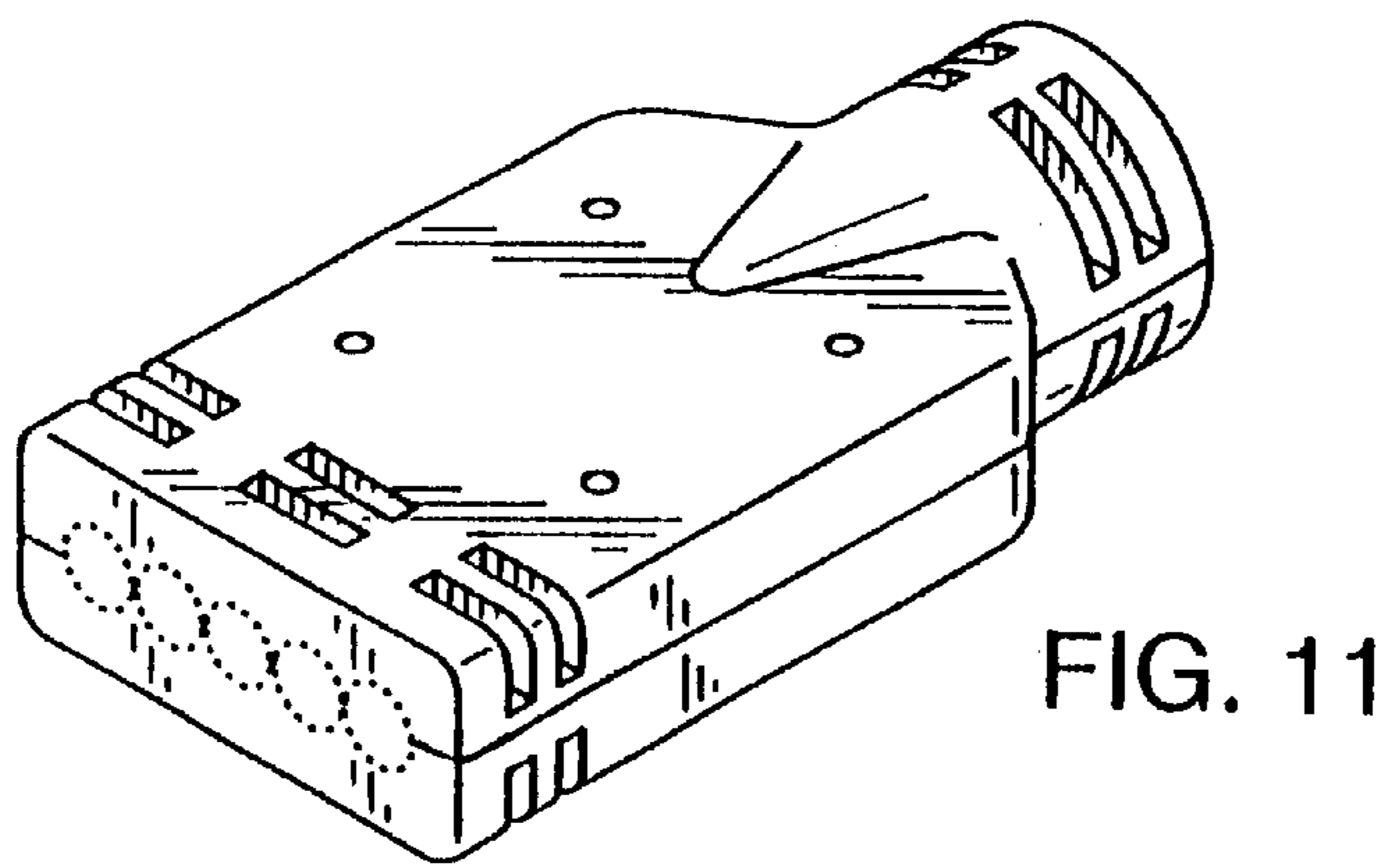
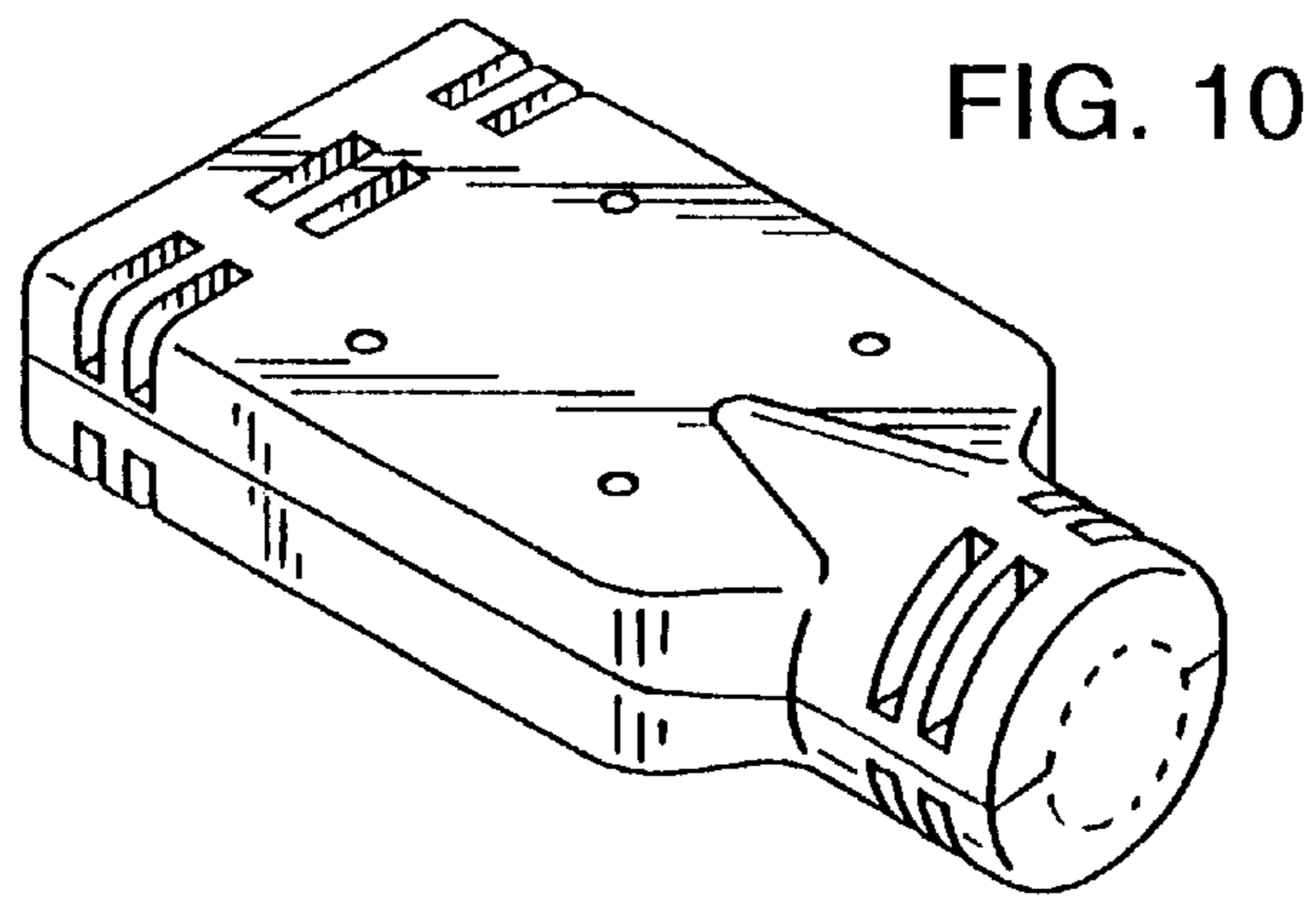


FIG. 5

FIG. 6







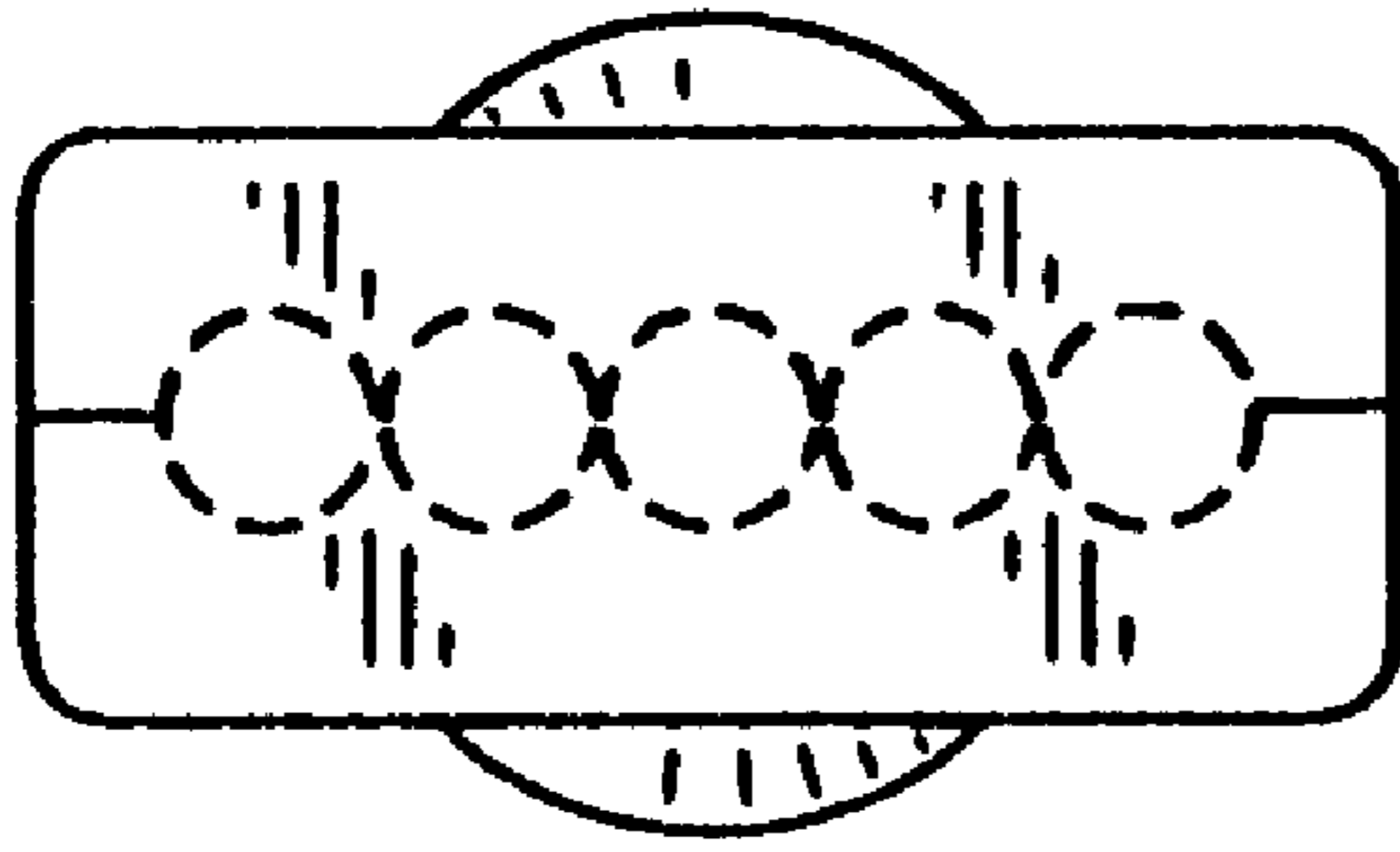


FIG. 13

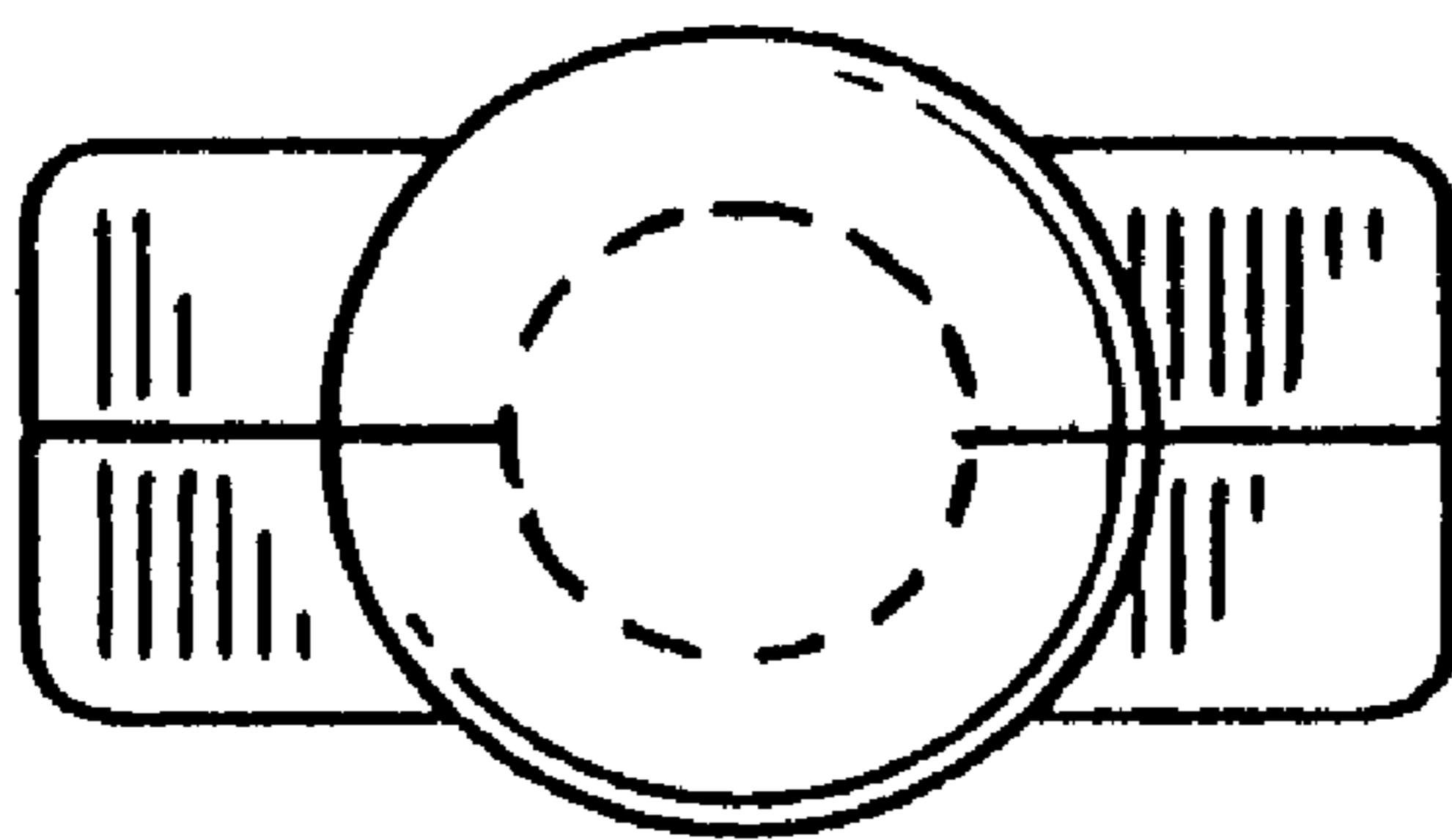


FIG. 14

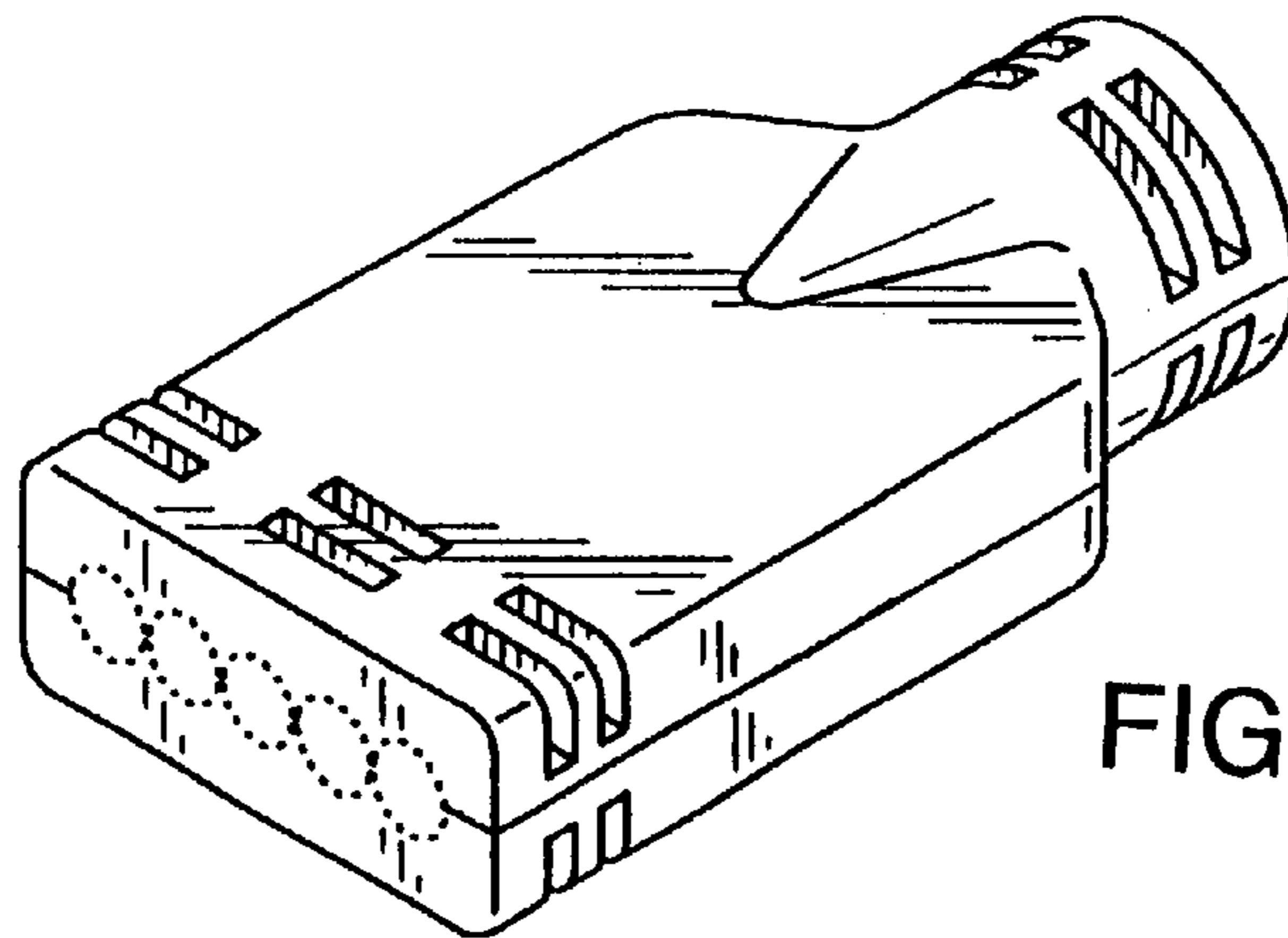
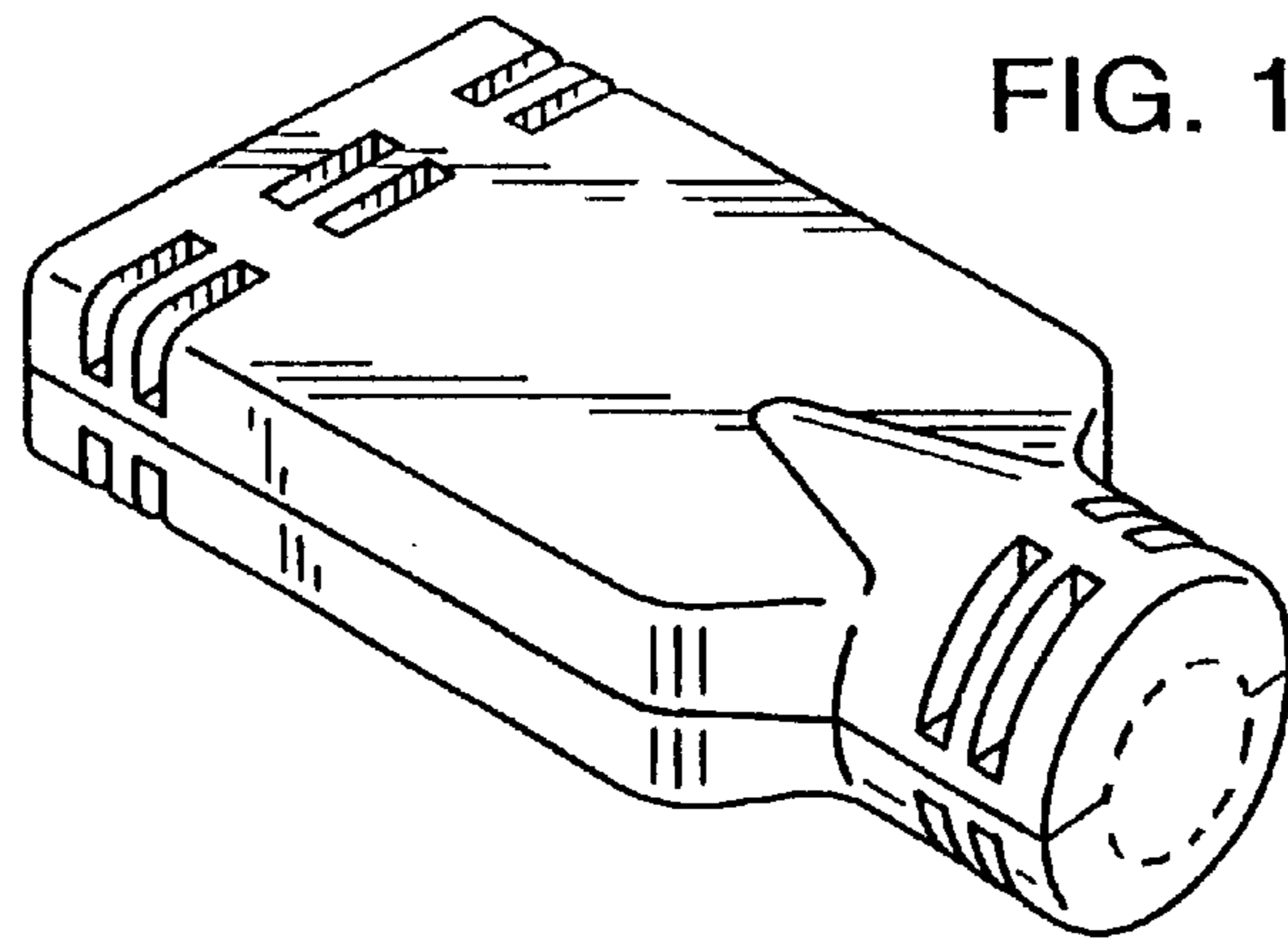
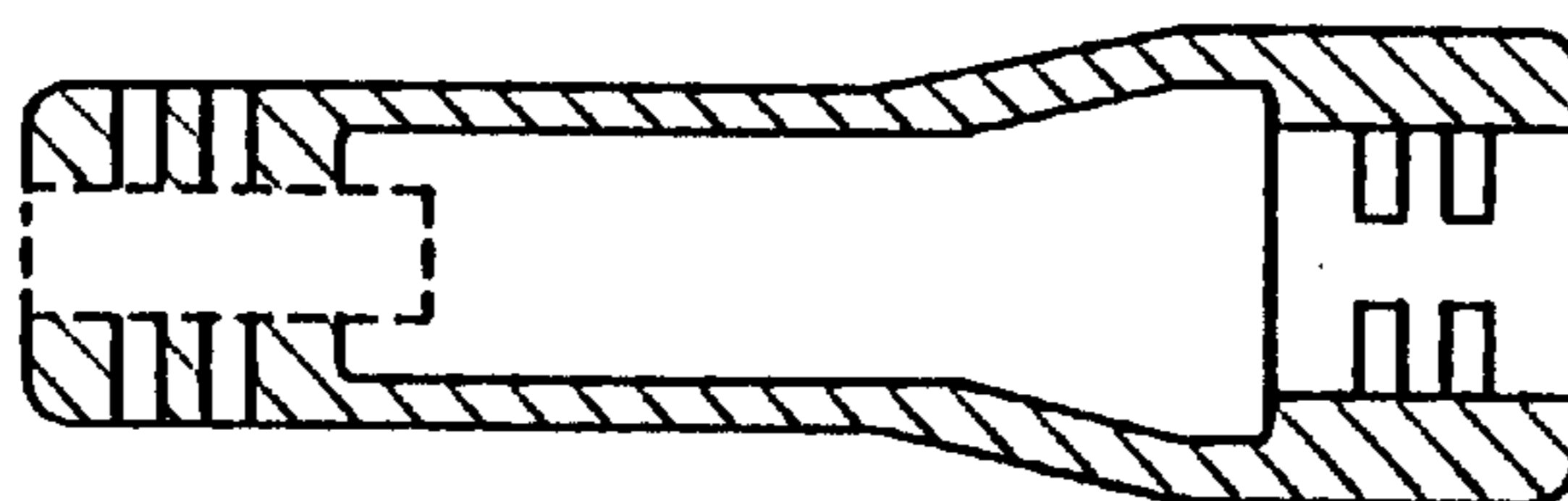


FIG. 17



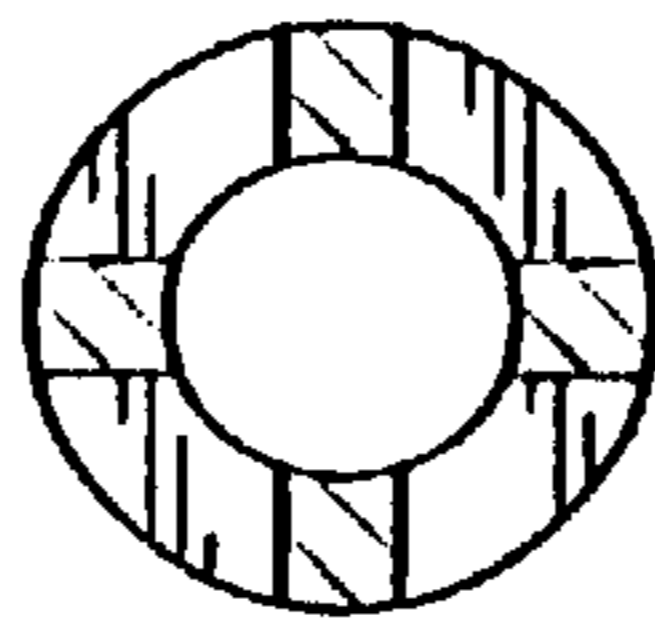


FIG. 18

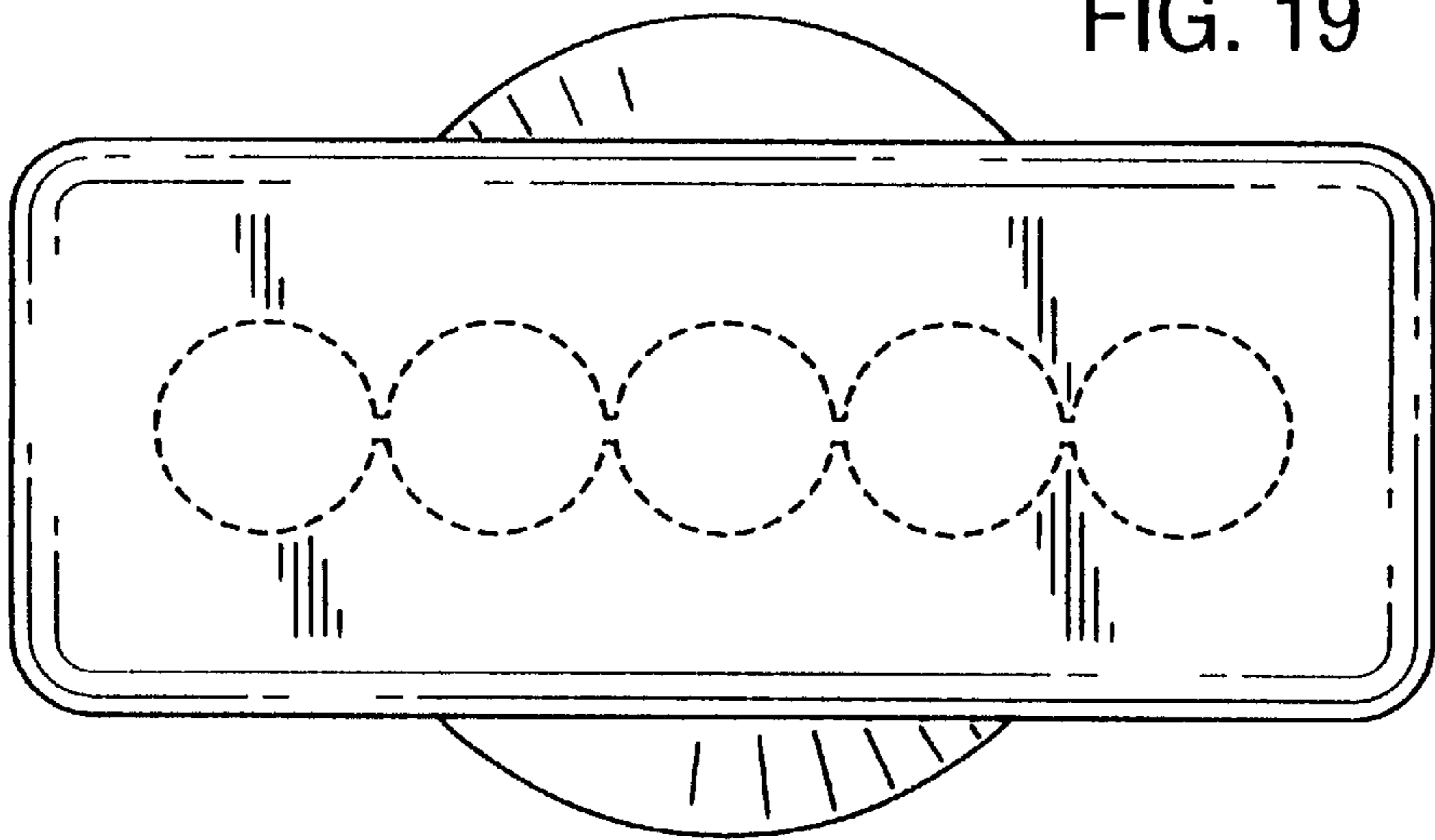


FIG. 19

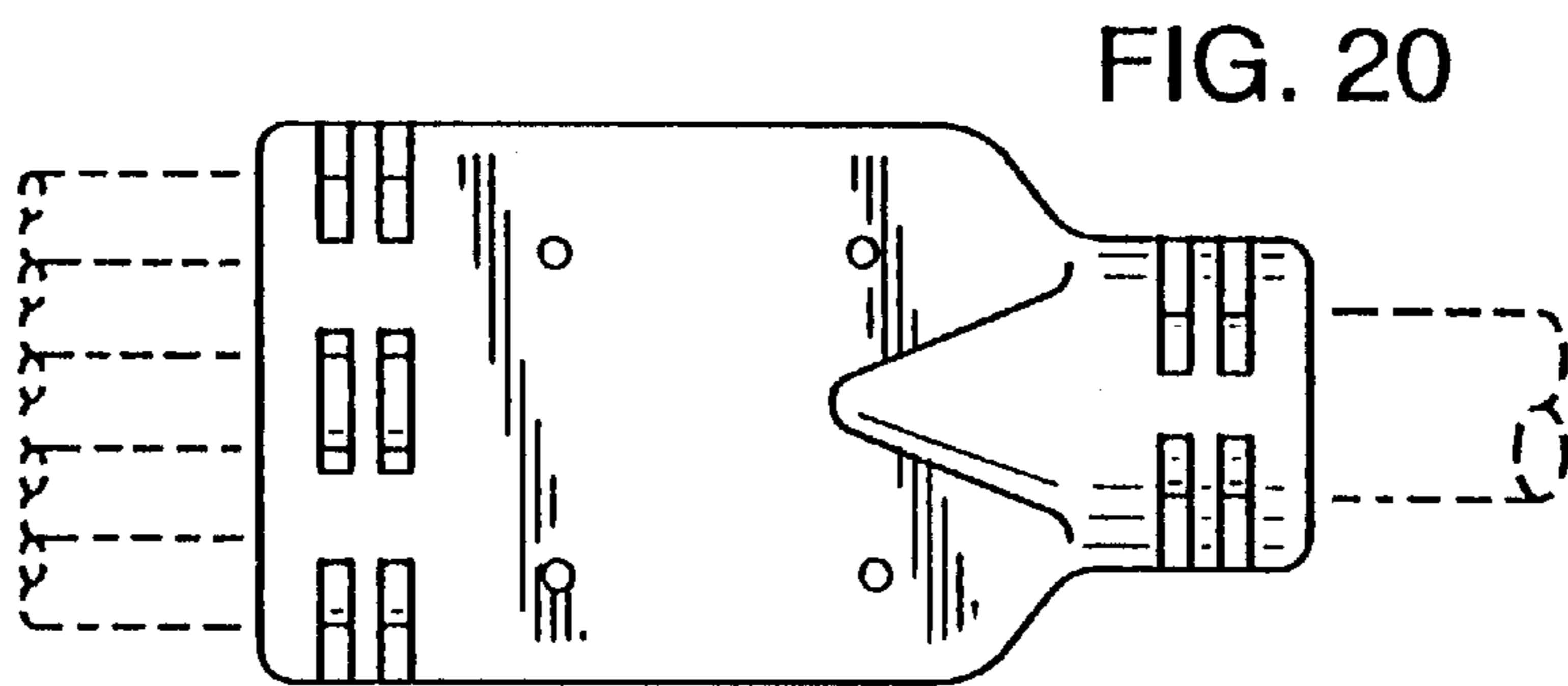


FIG. 20